



US00D691312S

(12) **United States Design Patent**
Lloyd et al.

(10) **Patent No.:** **US D691,312 S**
(45) **Date of Patent:** **** Oct. 8, 2013**

(54) **LIGHTING APPARATUS**

(76) Inventors: **Matthew Lloyd**, Bristol (GB); **Richard Cuthbert**, Bristol (GB)

(**) Term: **14 Years**

(21) Appl. No.: **29/407,247**

(22) Filed: **Nov. 25, 2011**

(30) **Foreign Application Priority Data**

May 25, 2011 (EM) 001868811-0001

(51) **LOC (9) Cl.** **26-03**

(52) **U.S. Cl.**
USPC **D26/61; D26/65**

(58) **Field of Classification Search**
USPC D26/61-66, 73, 113; 362/410, 413,
362/414, 419, 427, 285, 287, 282, 277, 275,
362/274, 271, 270, 269, 145, 152, 183, 294,
362/272, 545, 800, 249.02, 249.03, 371,
362/648

See application file for complete search history.

(56) **References Cited**

U.S. PATENT DOCUMENTS

D257,743 S *	12/1980	Tedesco	D26/65
D462,801 S *	9/2002	Huang	D26/63
D574,990 S *	8/2008	Tsai	D26/63
D616,586 S *	5/2010	Sabernig	D26/63
D623,331 S *	9/2010	Rotwitt	D26/63
D629,549 S *	12/2010	Feigenbaum	D26/63

* cited by examiner

Primary Examiner — Brian N Vinson

(74) *Attorney, Agent, or Firm* — Bradley D. Crose; Crose Law LLC

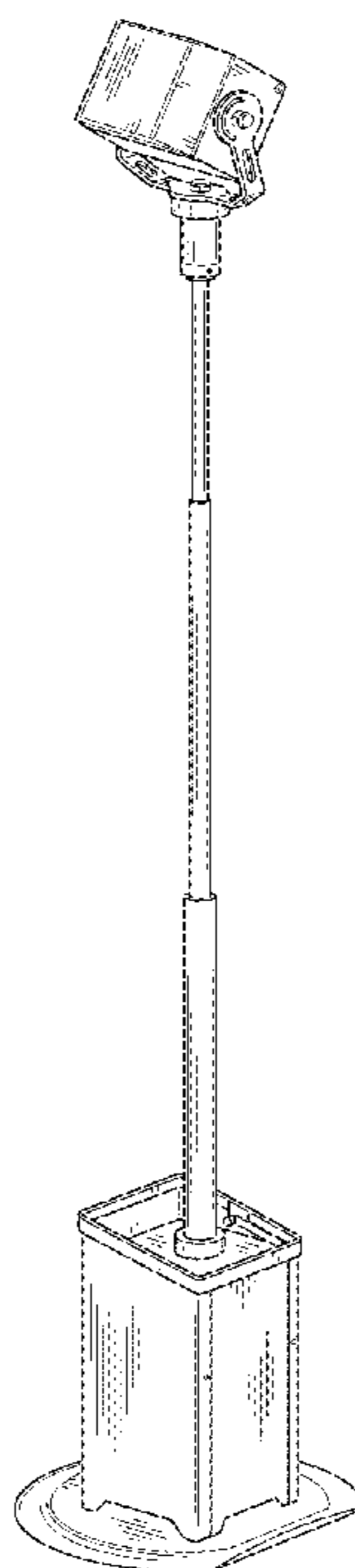
(57) **CLAIM**

The ornamental design for a lighting apparatus, as shown and described.

DESCRIPTION

FIG. 1 is a perspective view of the present invention from one side with the pole in an extended position, extending from the base unit, and with the pivotable light unit in a first position; FIG. 2 is a perspective view of the present invention from the same side as in FIG. 1, with the pole in a retracted position, extending from the base unit, and with the pivotable light unit in a second position; FIG. 3 is a front elevation view of the present invention, with the pole in an extended position, extending from the base unit, and with the pivotable light unit in a third position; FIG. 4 is a rear elevation view of the present invention, with the pole in an extended position, extending from the base unit, and with the pivotable light unit in a third position; FIG. 5 is a top plan view of the present invention with the light unit in a fourth position; FIG. 6 is a right side elevation view of the present invention, with the pole in an extended position, extending from the base unit, and with the pivotable light unit in a fifth position, the left side being a reverse image thereof, of the present invention; and, FIG. 7 is a rear elevation view of the present invention, with the pole removed, the light unit connected directly to the base unit, and with the pivotable light unit in a sixth position.

1 Claim, 7 Drawing Sheets



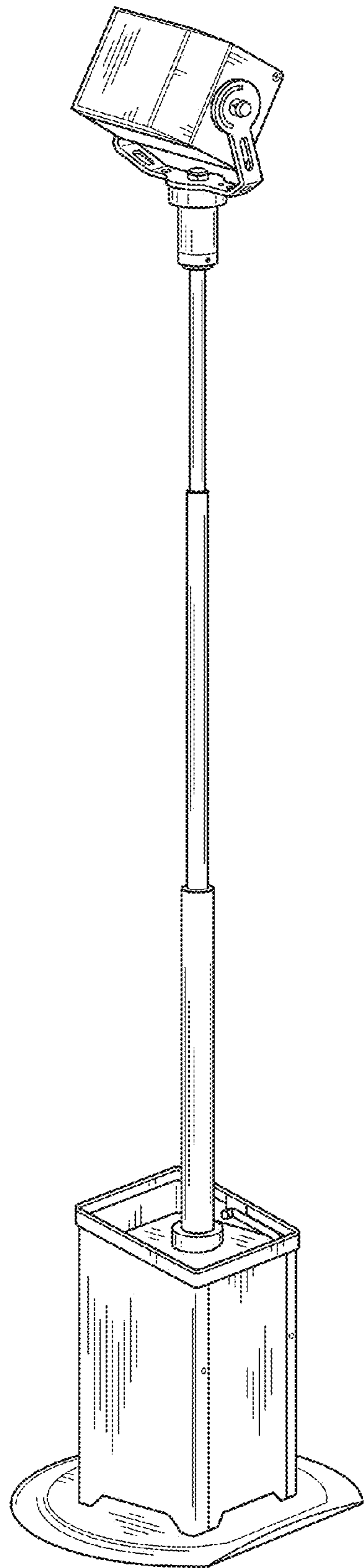


Fig. 1

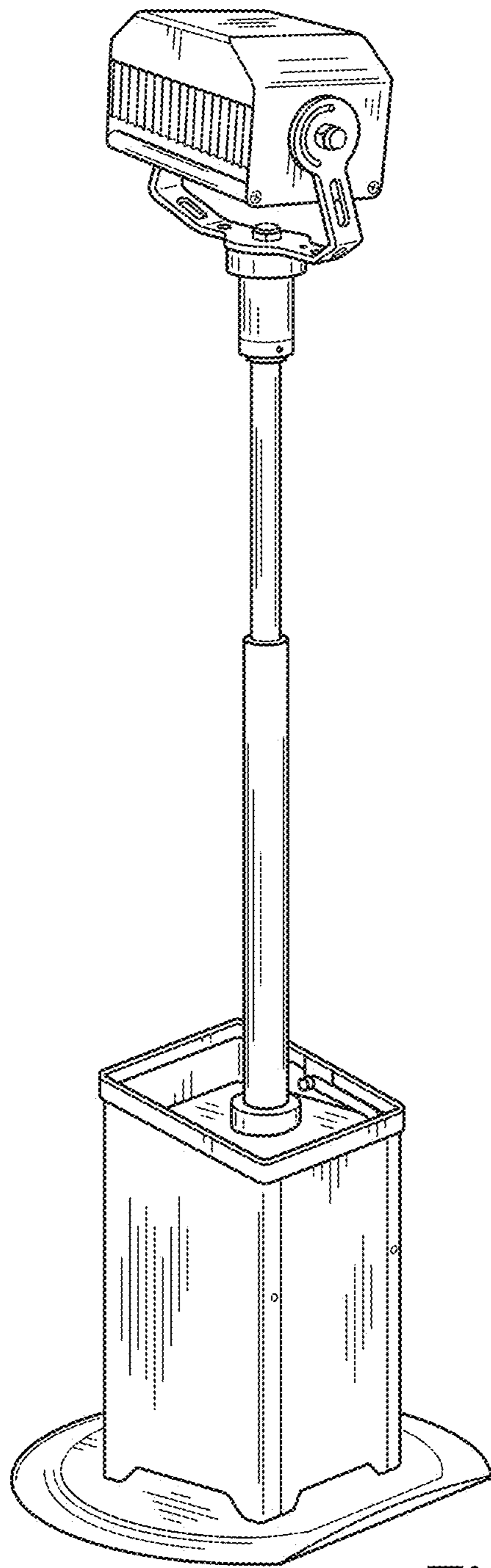


Fig. 2

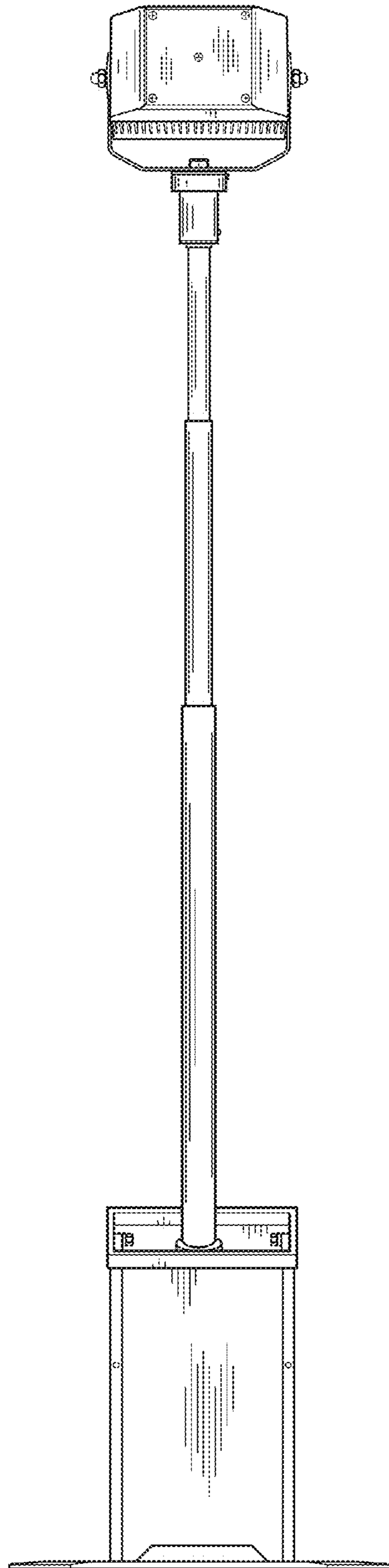


Fig. 3

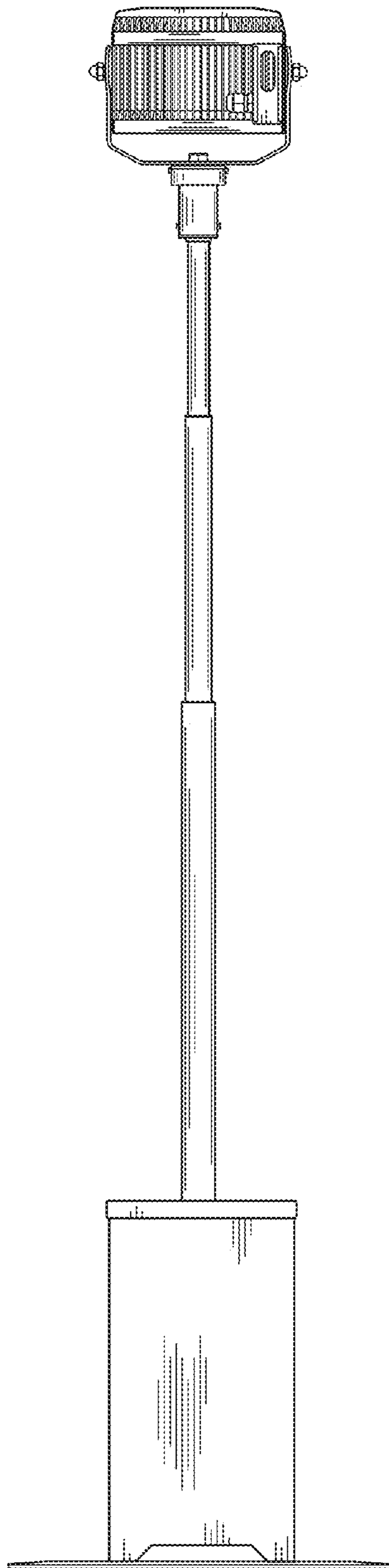


Fig. 4

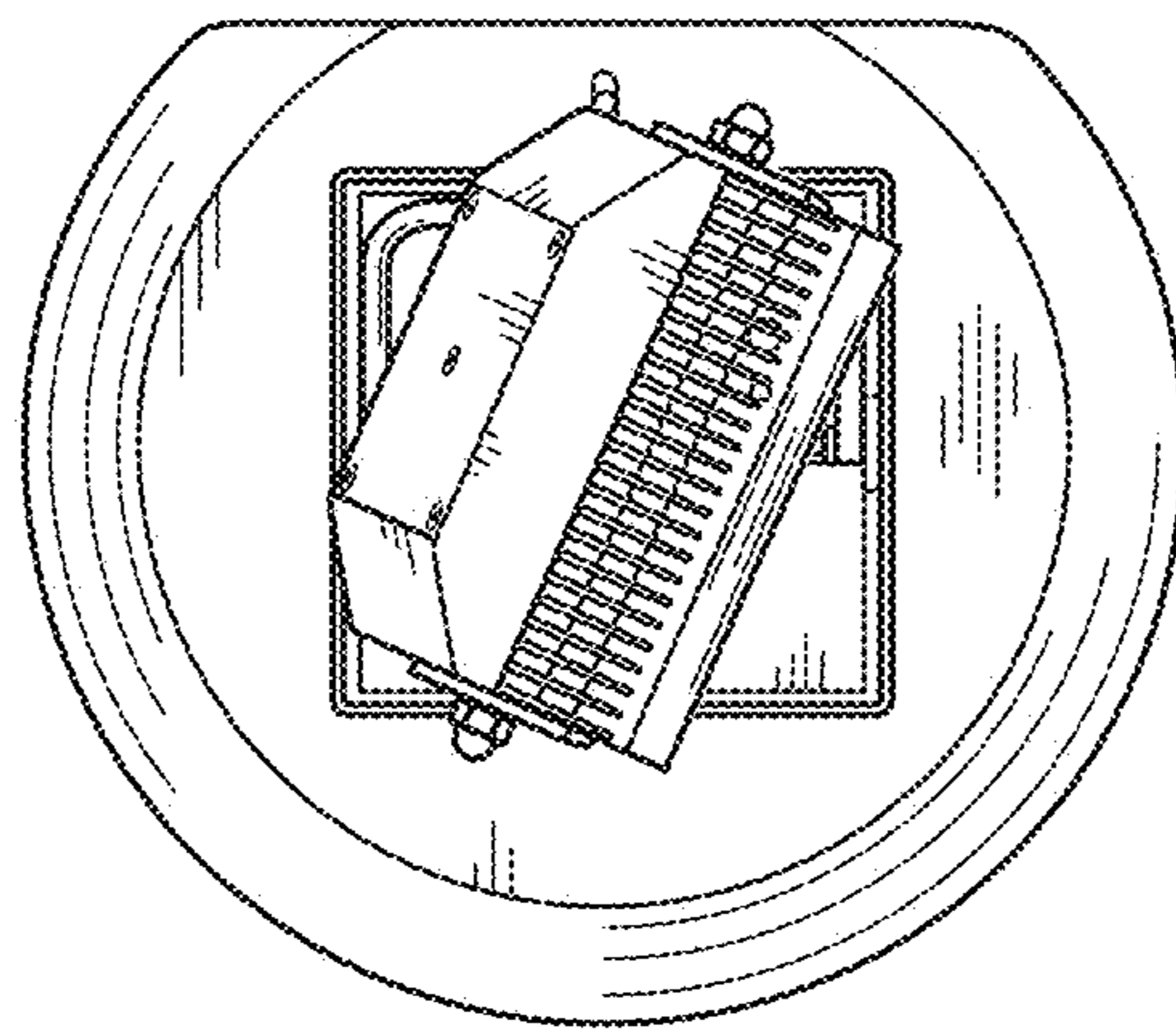


Fig. 5

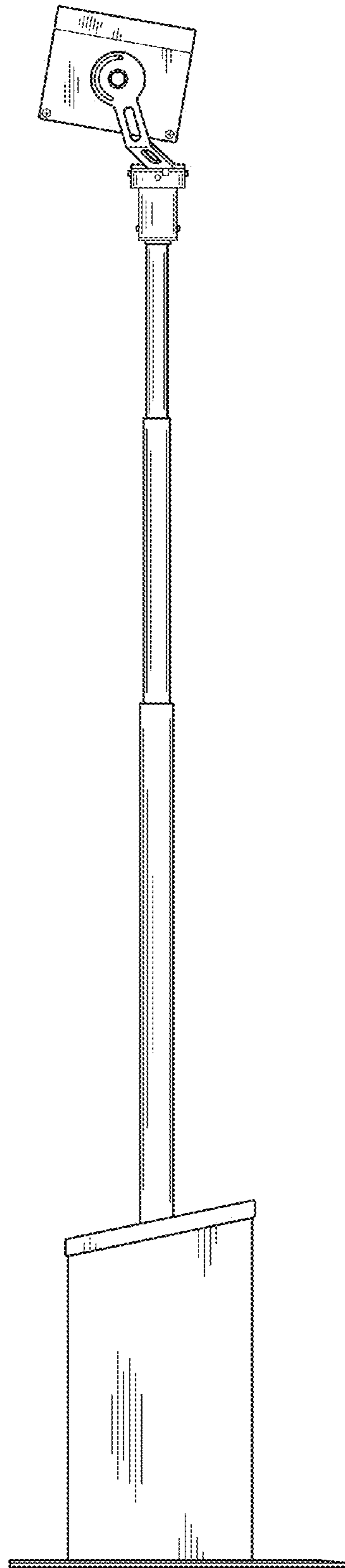


Fig. 6

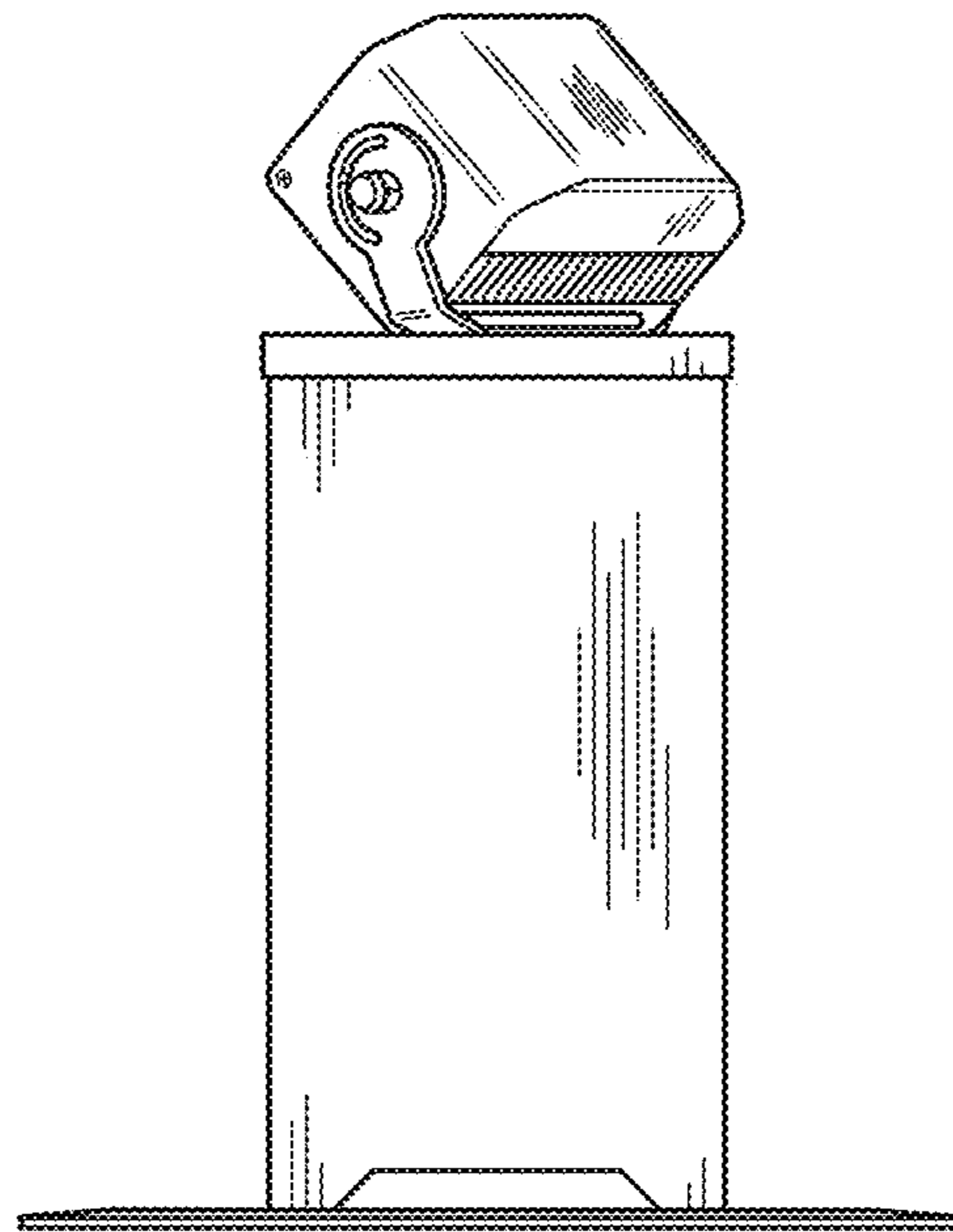


Fig. 7