

US00D691309S

(12) **United States Design Patent**  
**Lai**

(10) **Patent No.:** **US D691,309 S**

(45) **Date of Patent:** **\*\* Oct. 8, 2013**

(54) **EXTERIOR SURFACE CONFIGURATION  
VEHICLE HEADLIGHT**

(71) Applicant: **Litek Enterprise Co., Ltd.**, Tainan  
(TW)

(72) Inventor: **Ching-Tsung Lai**, Tainan (TW)

(73) Assignee: **Litek Enterprise Co., Ltd.**, Tainan  
(TW)

(\*\*) Term: **14 Years**

(21) Appl. No.: **29/450,895**

(22) Filed: **Mar. 25, 2013**

(51) **LOC (9) Cl.** ..... **26-06**

(52) **U.S. Cl.**  
USPC ..... **D26/28**

(58) **Field of Classification Search**  
USPC ..... D26/28-36; 362/459-468, 475-478,  
362/485-487

See application file for complete search history.

(56) **References Cited**

U.S. PATENT DOCUMENTS

D506,842	S	*	6/2005	Nagura et al.	.....	D26/28
D524,466	S	*	7/2006	Essig	.....	D26/28
D529,208	S	*	9/2006	Ikeda	.....	D26/28
D538,954	S	*	3/2007	Pfeiffer	.....	D26/28
D542,442	S	*	5/2007	Matsunami	.....	D26/28
D552,768	S	*	10/2007	Leclercq	.....	D26/28
D570,007	S	*	5/2008	Hsu	.....	D26/28

\* cited by examiner

*Primary Examiner* — Marcus Jackson

(74) *Attorney, Agent, or Firm* — Muncy, Geissler, Olds & Lowe, PLLC

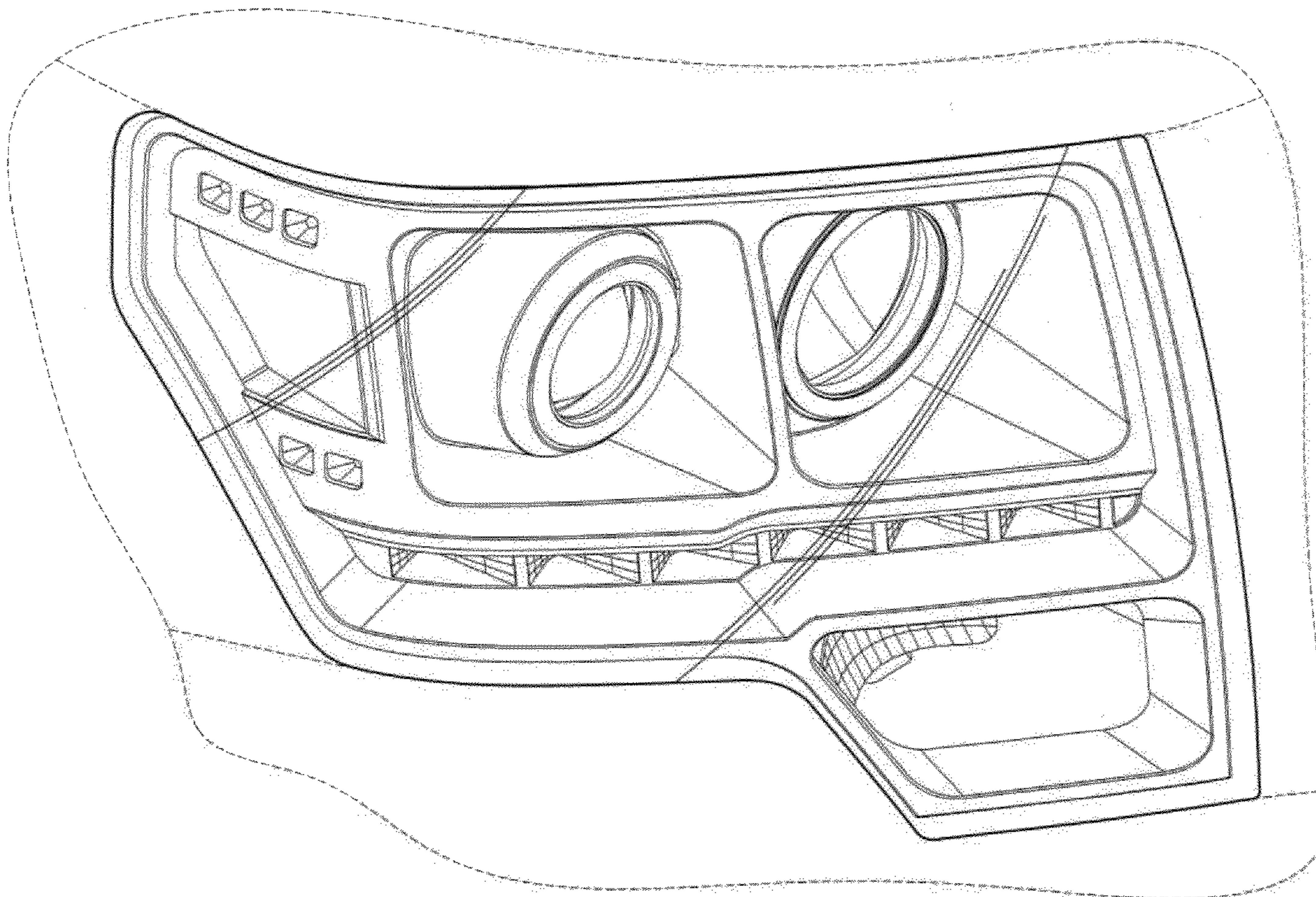
(57) **CLAIM**

The ornamental design for a exterior surface configuration vehicle headlight, as shown and described.

**DESCRIPTION**

FIG. 1 is a perspective view of an exterior surface configuration of a vehicular headlight showing my present design; FIG. 2 is a front view thereof; FIG. 3 is a left view thereof; and, FIG. 4 is a top plan view thereof.

**1 Claim, 4 Drawing Sheets**



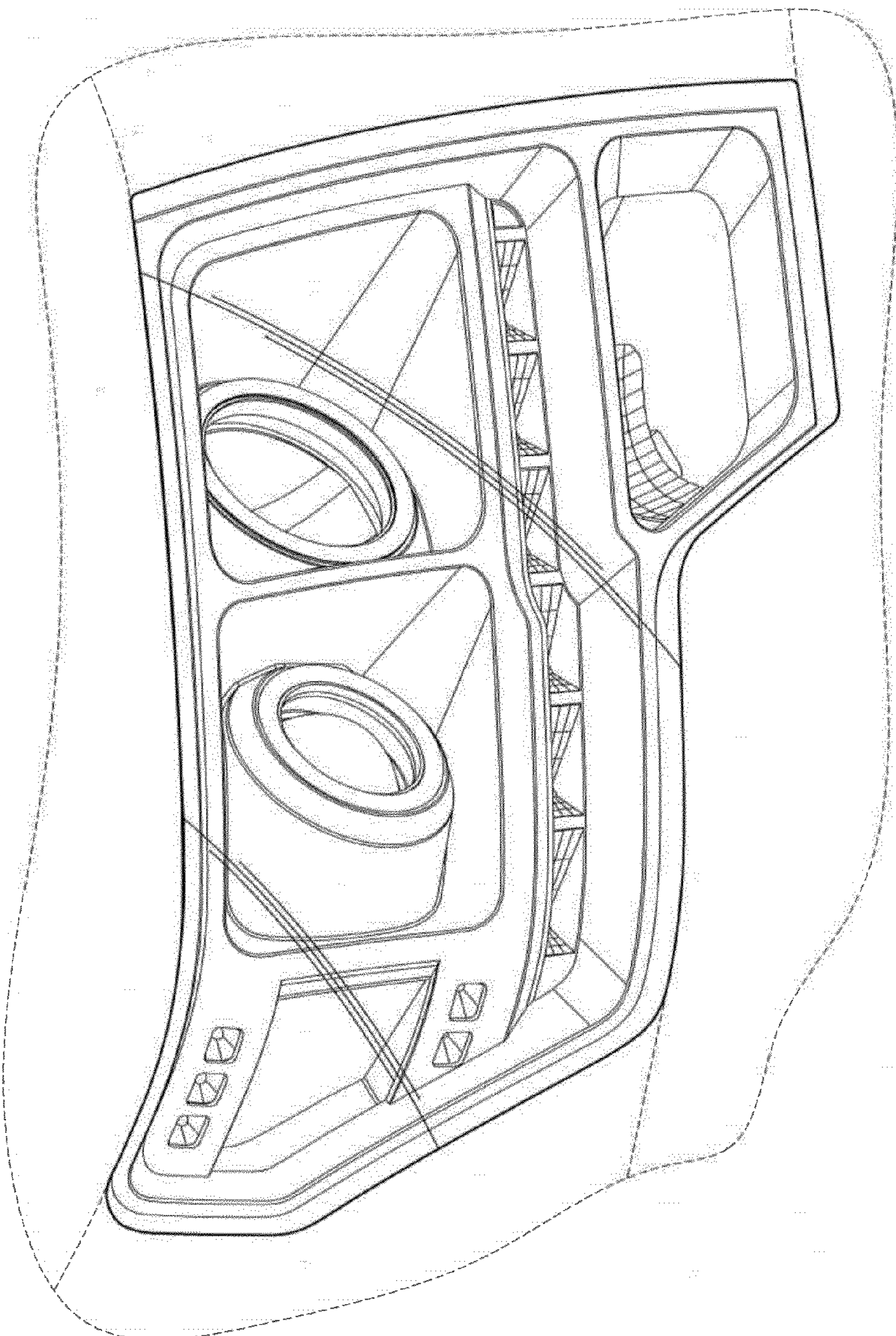


FIG. 1

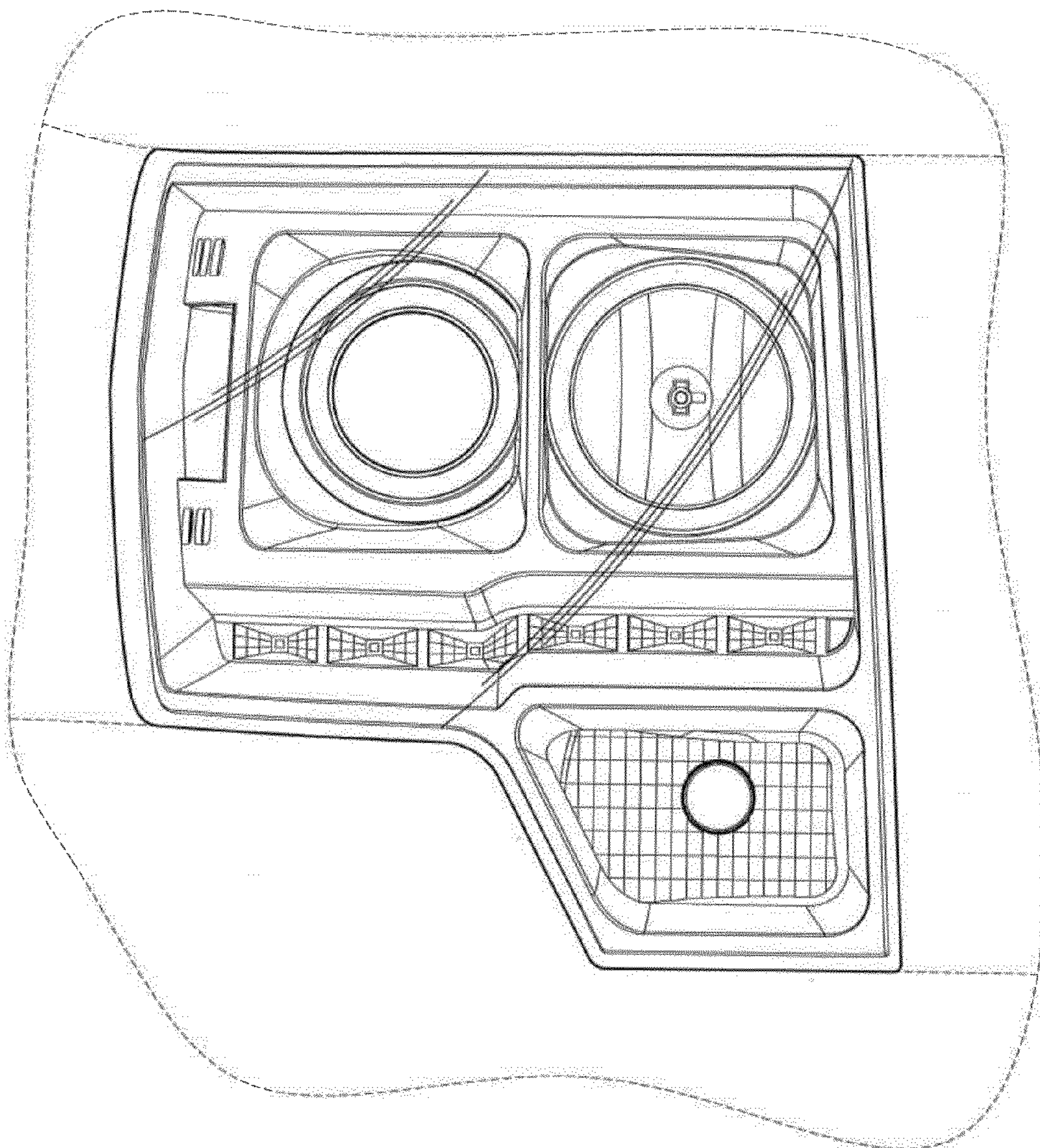


FIG. 2

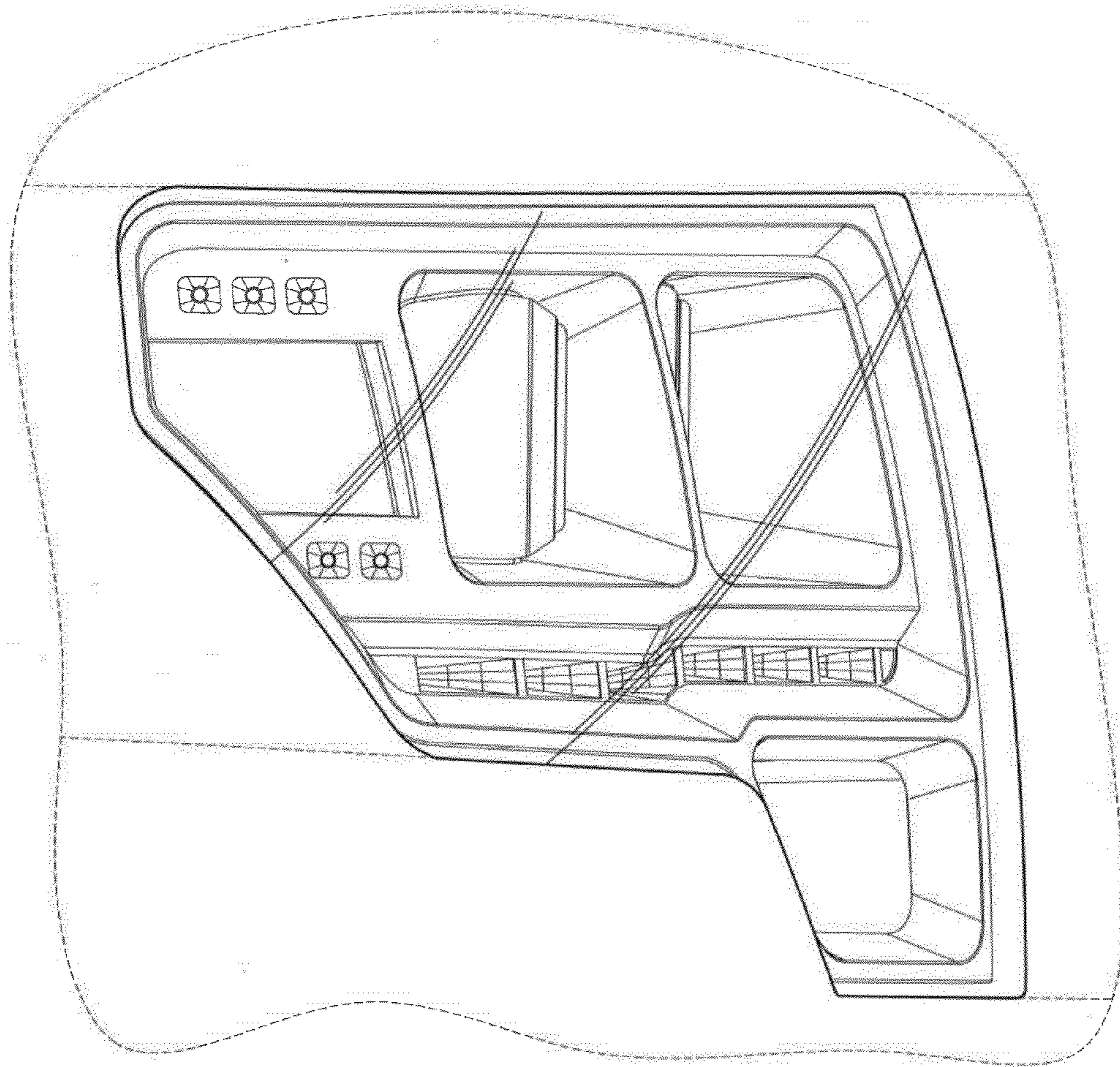


FIG. 3

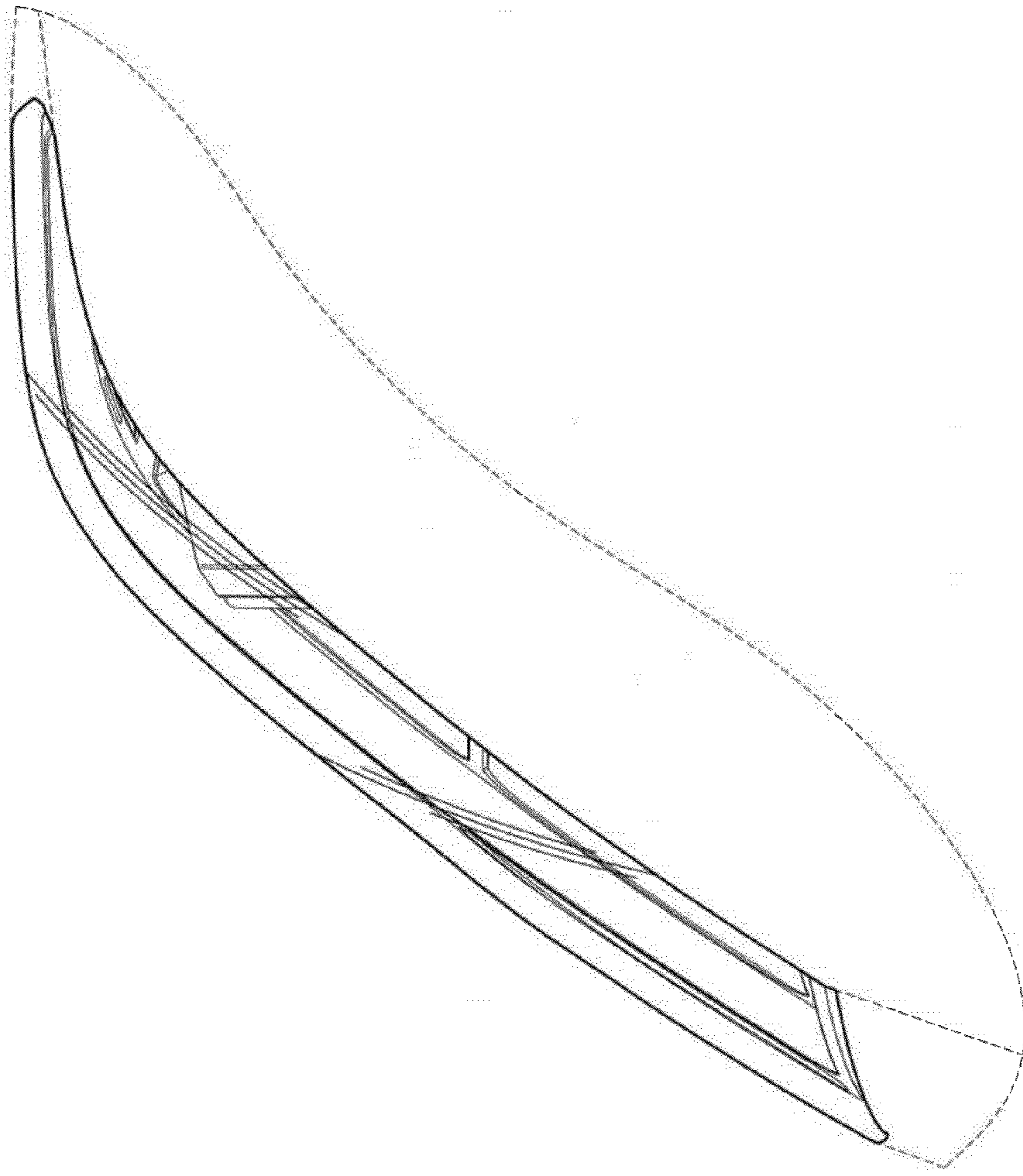


FIG. 4