



US00D691307S

(12) **United States Design Patent**
Lai

(10) **Patent No.:** **US D691,307 S**
(45) **Date of Patent:** **** Oct. 8, 2013**

(54) **EXTERIOR SURFACE CONFIGURATION OF VEHICULAR HEADLIGHT**

D570,014 S * 5/2008 Hsu D26/28
D570,016 S * 5/2008 Hsu D26/28
D582,587 S * 12/2008 Yang D26/28

(71) Applicant: **Litek Enterprise Co., Ltd.**, Tainan (TW)

* cited by examiner

(72) Inventor: **Ching-Tsung Lai**, Tainan (TW)

Primary Examiner — Marcus Jackson

(73) Assignee: **Litek Enterprise Co., Ltd.**, Tainan (TW)

(74) *Attorney, Agent, or Firm* — Muncy, Gessler, Olds & Lowe, PLLC

(**) Term: **14 Years**

(57) **CLAIM**

The ornamental design for a exterior surface configuration vehicle headlight, as shown and described.

(21) Appl. No.: **29/450,862**

(22) Filed: **Mar. 25, 2013**

DESCRIPTION

(51) **LOC (9) Cl.** **26-06**

(52) **U.S. Cl.**
USPC **D26/28**

(58) **Field of Classification Search**
USPC D26/28-36; 362/459-468, 475-478,
362/485-487

See application file for complete search history.

FIG. 1 is a perspective view of an exterior surface configuration of a vehicular headlight showing my present design; FIG. 2 is a front view thereof; FIG. 3 is a rear view thereof; FIG. 4 is a left view thereof; FIG. 5 is a right view thereof; FIG. 6 is a top plan view thereof; and, FIG. 7 is a bottom plan view.

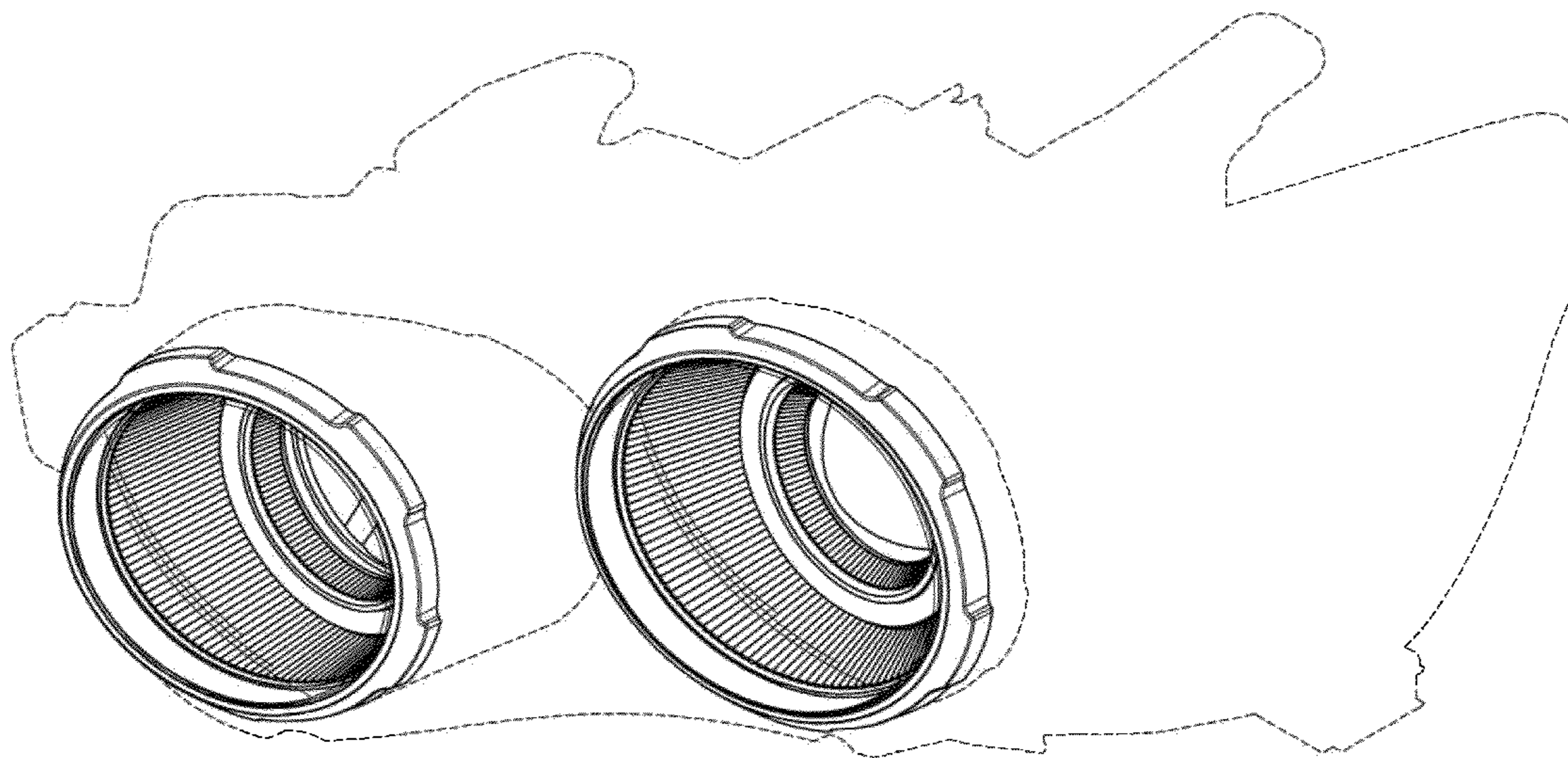
The broken line showing of the edge of the front portion of the vehicle is included for the purpose of illustrating only and forms no part of the claimed design.

(56) **References Cited**

U.S. PATENT DOCUMENTS

D544,614 S * 6/2007 Markefka D26/28
D569,533 S * 5/2008 Hsu D26/28
D570,007 S * 5/2008 Hsu D26/28

1 Claim, 7 Drawing Sheets



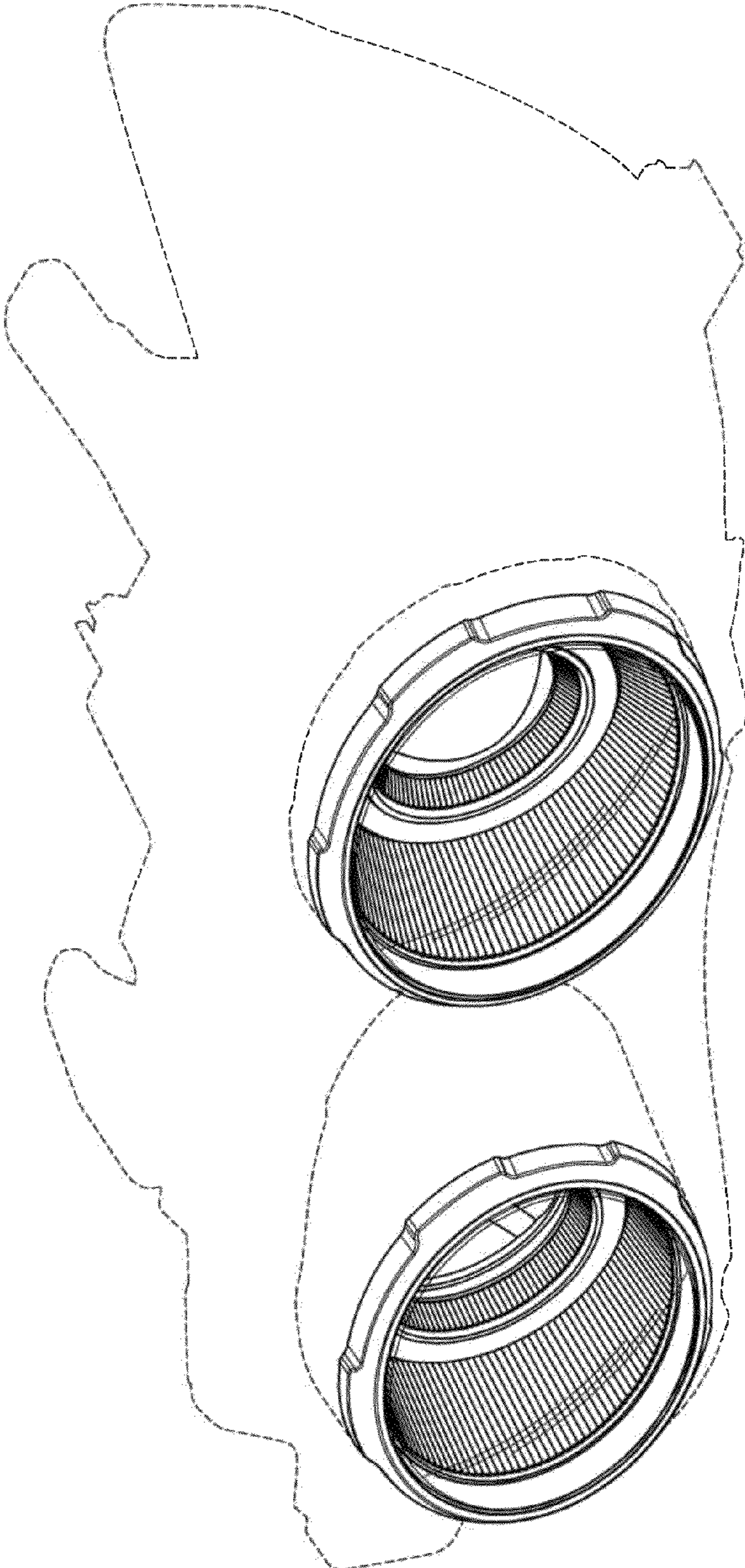


FIG. 1

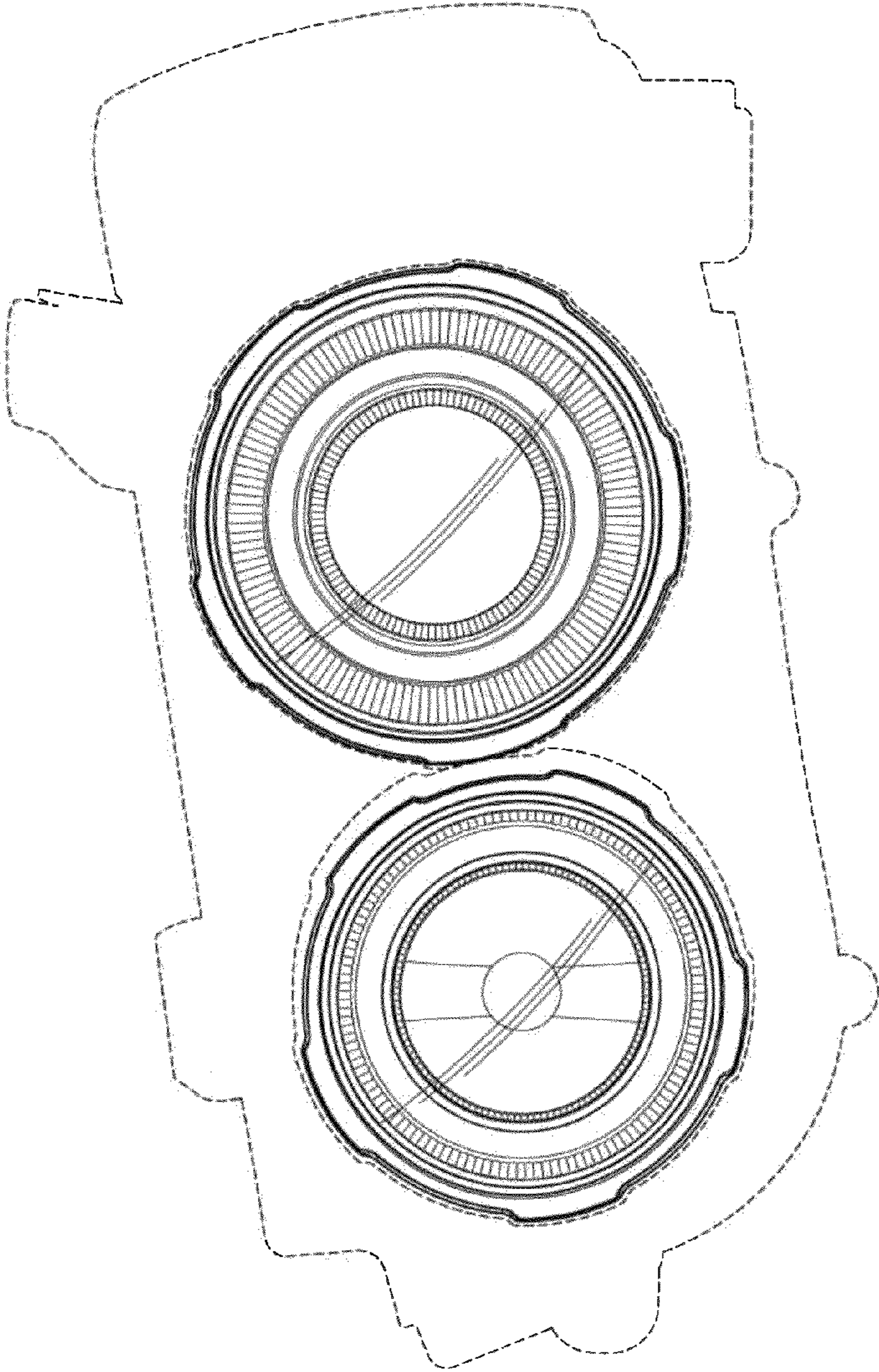


FIG. 2

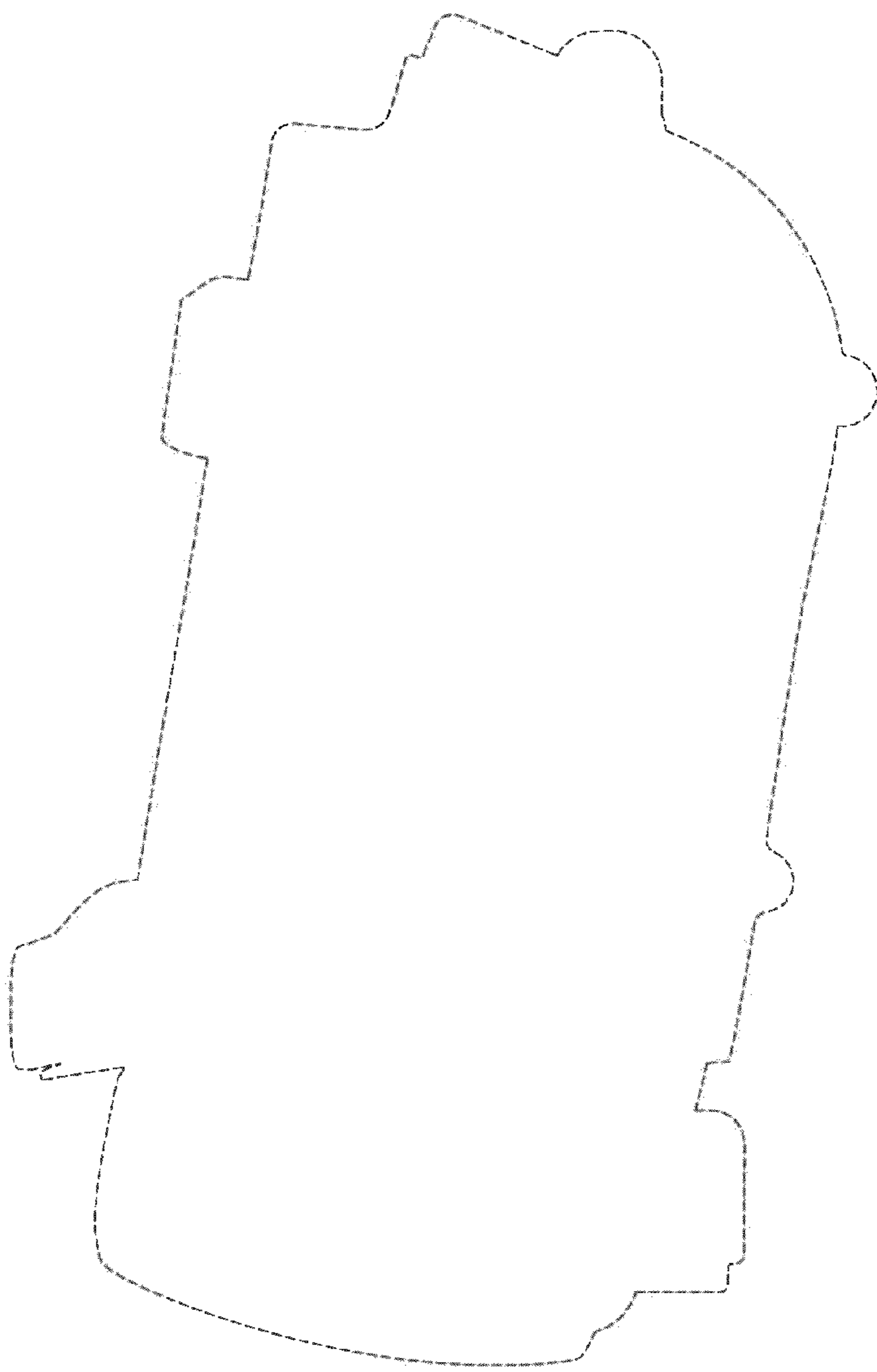


FIG. 3

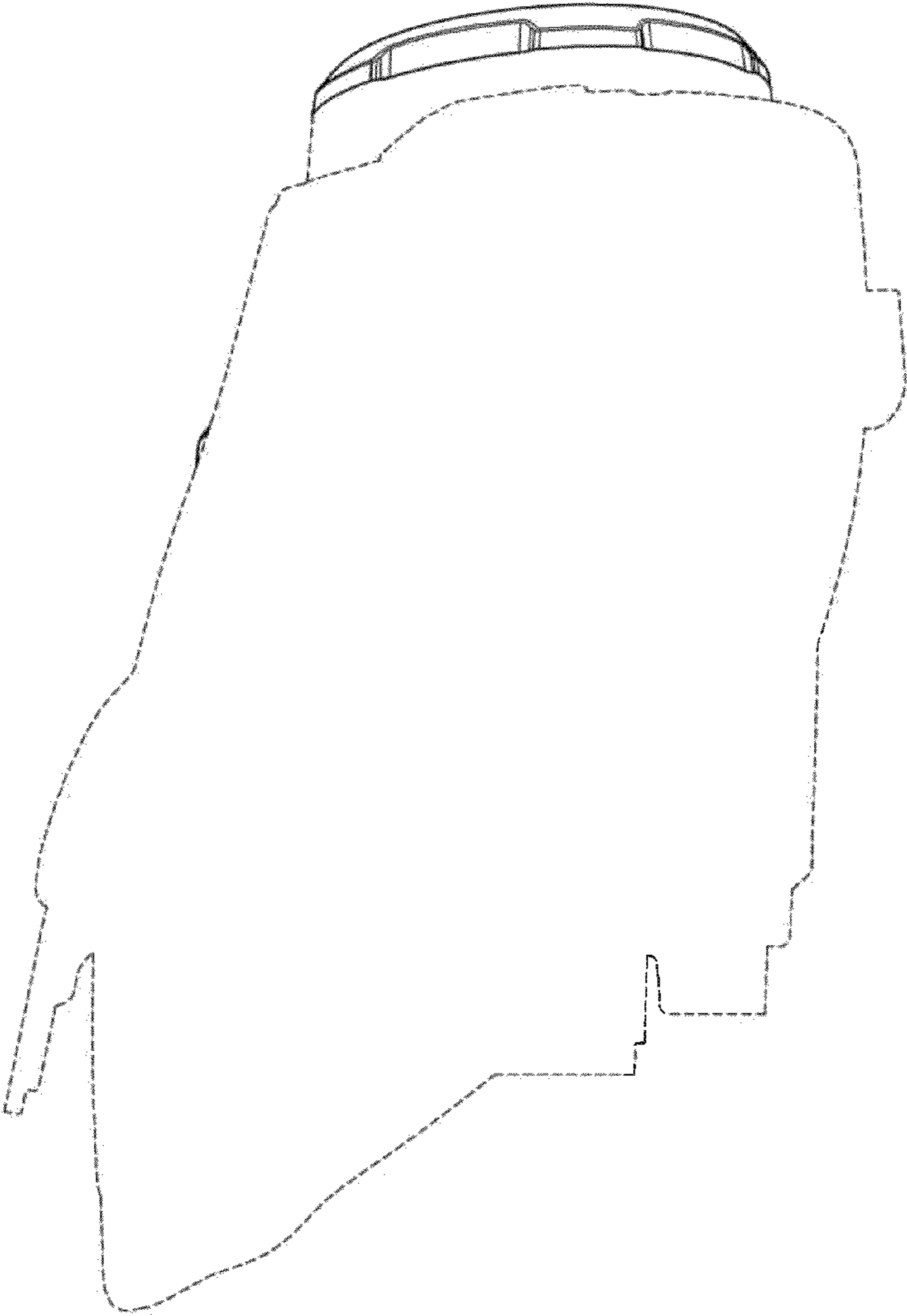


FIG. 4

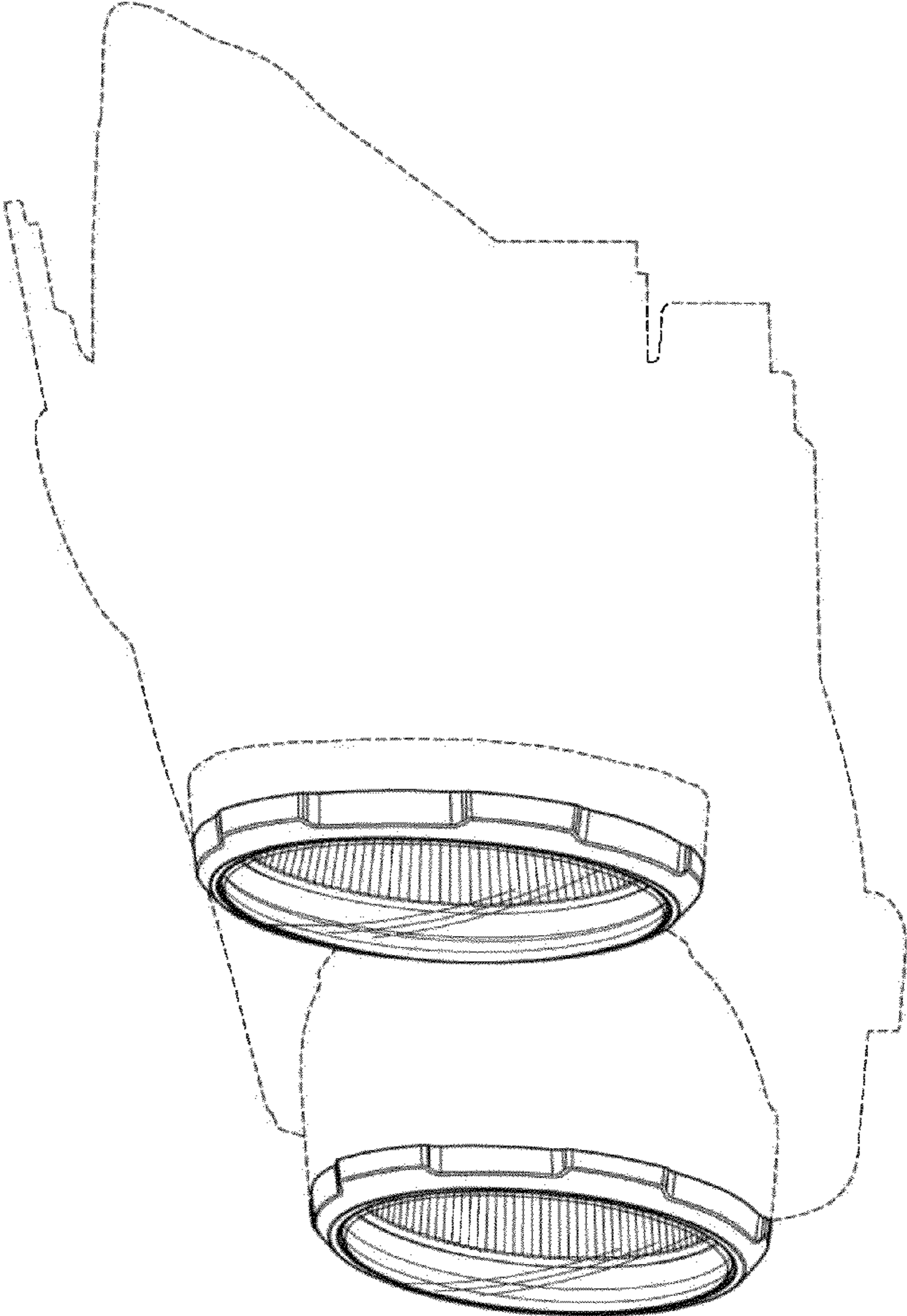


FIG. 5



FIG. 6

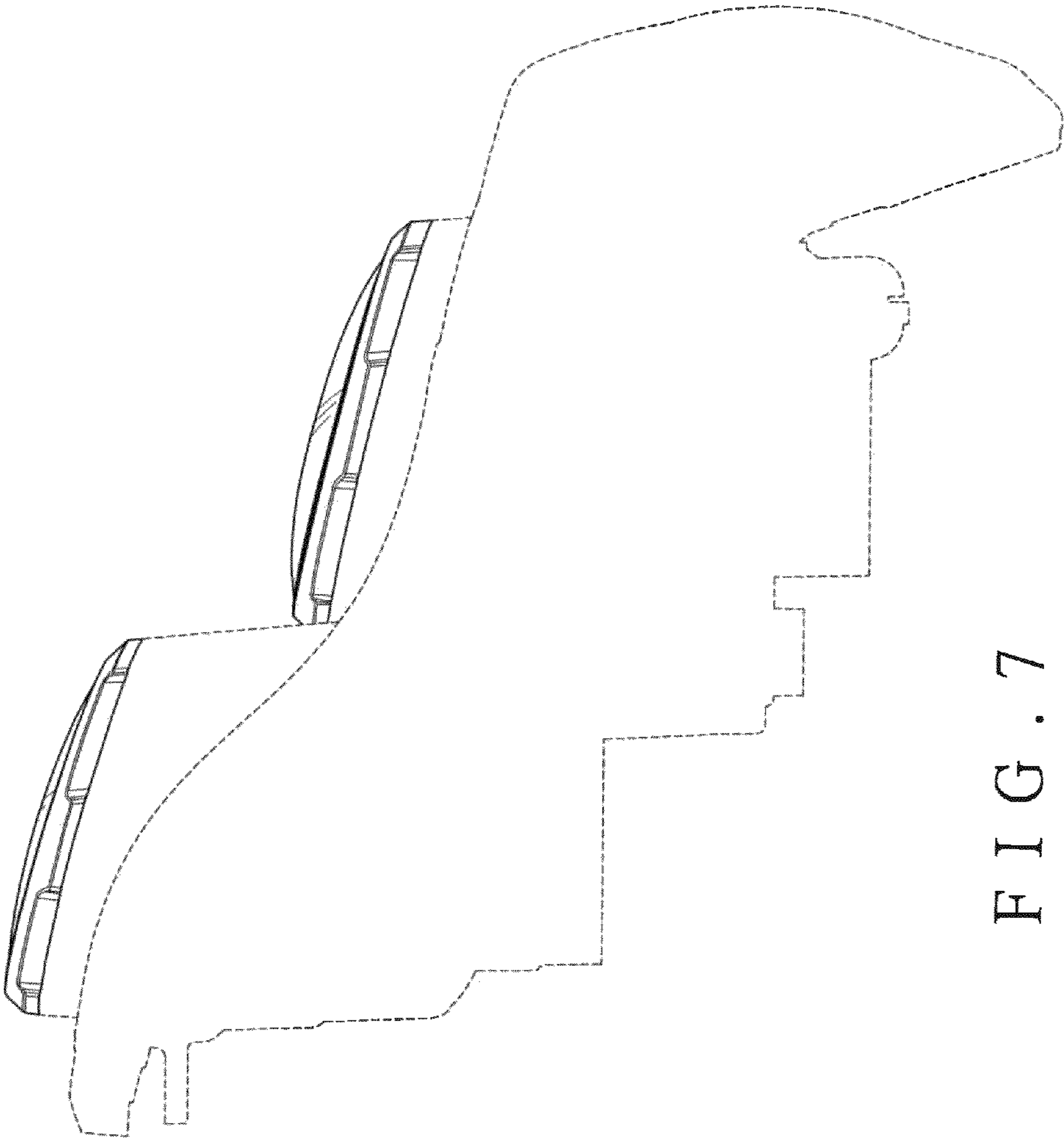


FIG. 7