

US00D691305S

(12) **United States Design Patent**
Choi

(10) **Patent No.:** **US D691,305 S**

(45) **Date of Patent:** **** Oct. 8, 2013**

(54) **HEAD LAMP OF CAR**

(56) **References Cited**

(71) Applicant: **GM Global Technology Operations, LLC**, Detroit, MI (US)

(72) Inventor: **Jin-chun Choi**, Incheon (KR)

(73) Assignee: **GM Global Technology Operations, LLC**, Detroit, MI (US)

(**) Term: **14 Years**

(21) Appl. No.: **29/446,034**

(22) Filed: **Feb. 20, 2013**

(30) **Foreign Application Priority Data**

Aug. 21, 2012 (KR) 30-2012-0040009

(51) **LOC (9) Cl.** **26-06**

(52) **U.S. Cl.**
USPC **D26/28**

(58) **Field of Classification Search**
USPC D26/28-36; 362/459-468, 475-478,
362/485-487

See application file for complete search history.

U.S. PATENT DOCUMENTS

D490,174	S	*	5/2004	Lin	D26/28
D493,550	S	*	7/2004	Lin	D26/28
D495,813	S	*	9/2004	Lin	D26/28
D528,681	S	*	9/2006	Nakahara	D26/28
D538,956	S	*	3/2007	Ishii	D26/28

* cited by examiner

Primary Examiner — Marcus Jackson

(74) *Attorney, Agent, or Firm* — Jansson Munger McKinley & Shape Ltd.

(57) **CLAIM**

The ornamental design of a head lamp for a car, as shown and described.

DESCRIPTION

FIG. 1 is a perspective view of the head lamp for a car of the present design;

FIG. 2 is a front elevation view thereof;

FIG. 3 is a rear elevation view thereof;

FIG. 4 is a left side elevation view thereof;

FIG. 5 is a right side elevation view thereof;

FIG. 6 is a top plan view thereof; and,

FIG. 7 is a bottom plan view thereof.

The design can be embodied with metal, glass and plastics. This head lamp is arranged at the front-left and front-right sides of a car. The front side of this head lamp is made of transparent body. This design is characterized in the shape and configuration of the head lamp for a car.

1 Claim, 7 Drawing Sheets

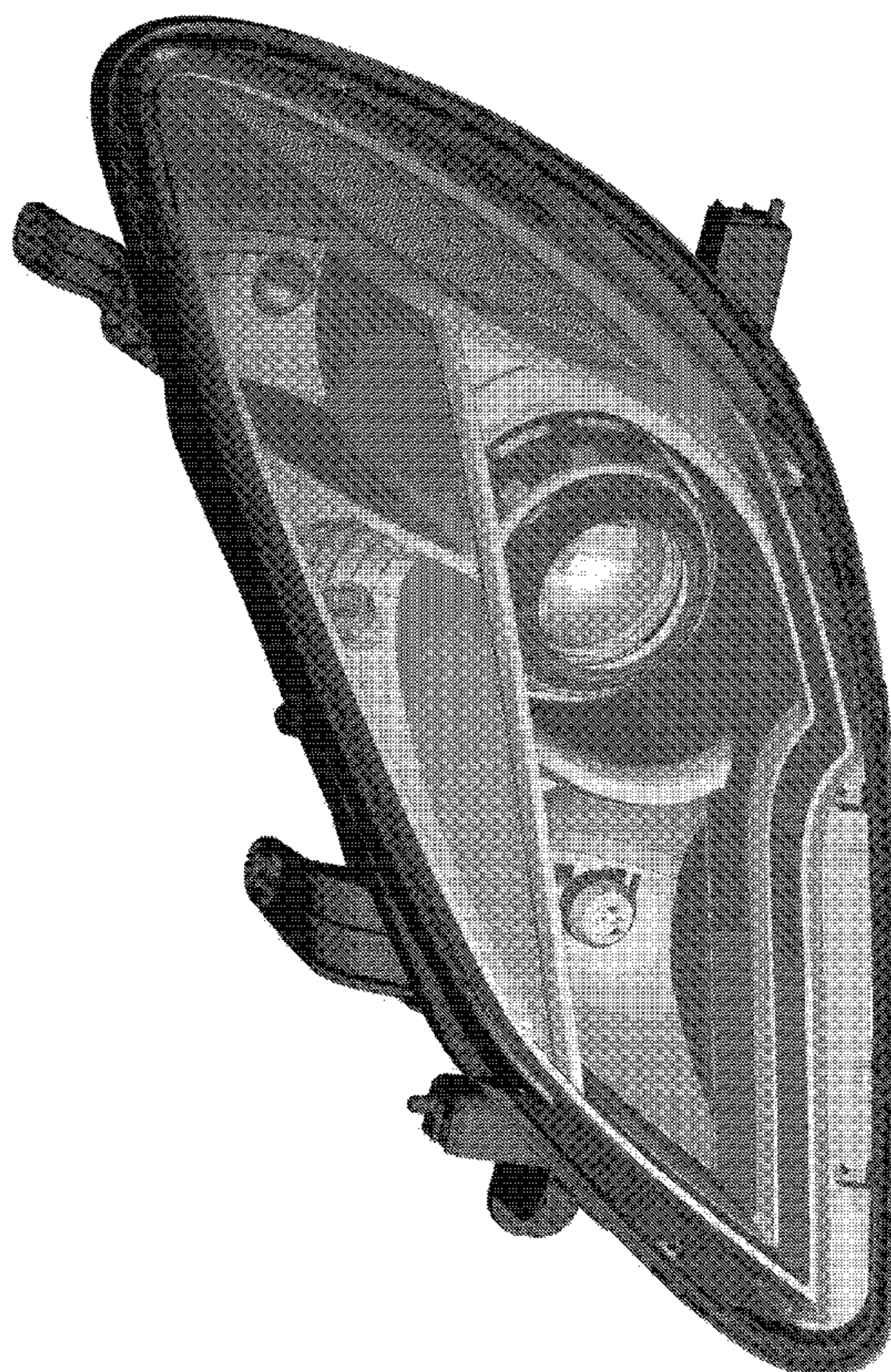


Fig. 1

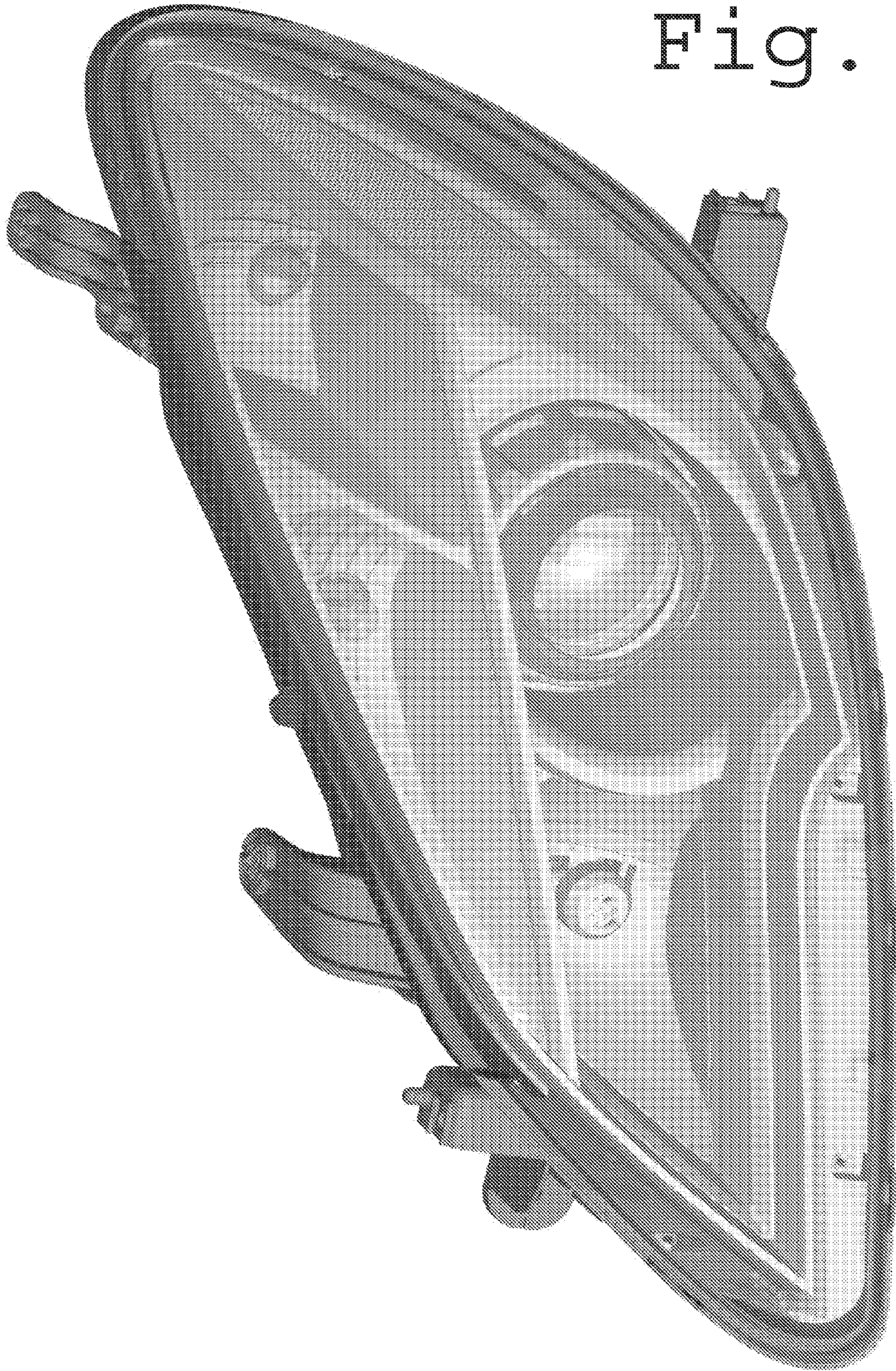


Fig. 2

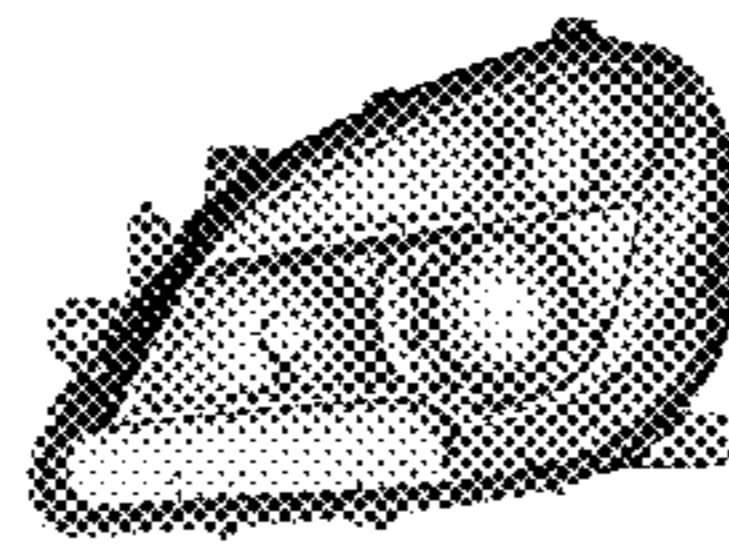


Fig. 3

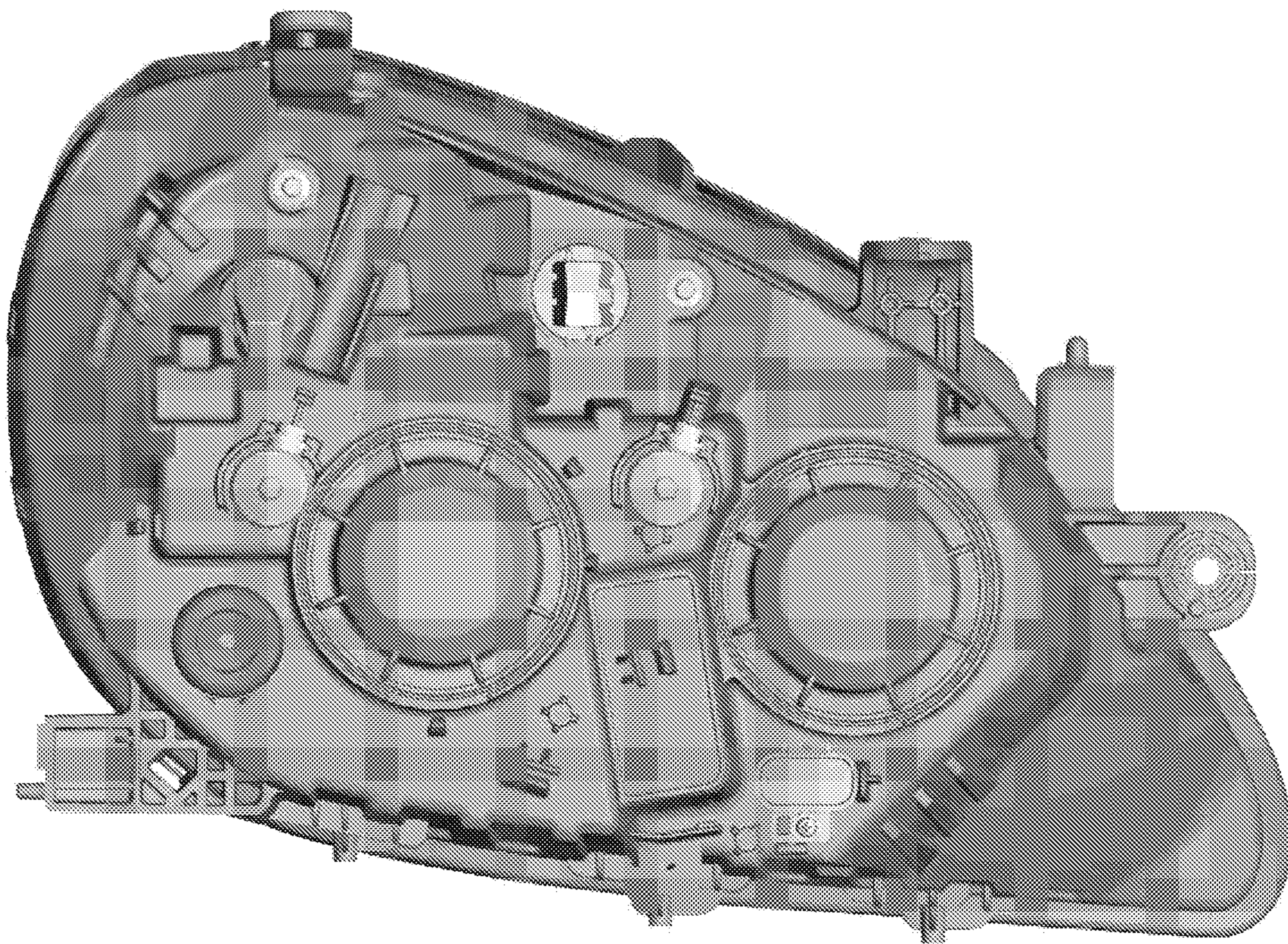


Fig. 4

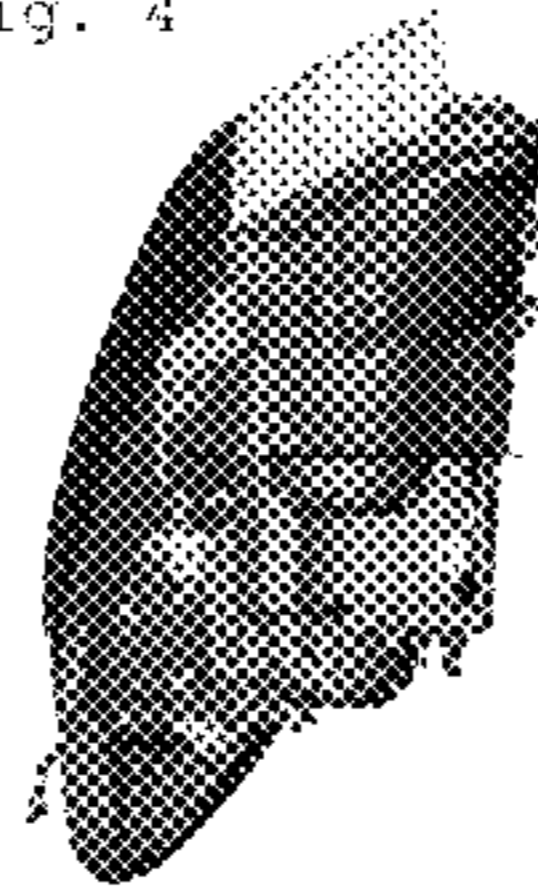


Fig. 5

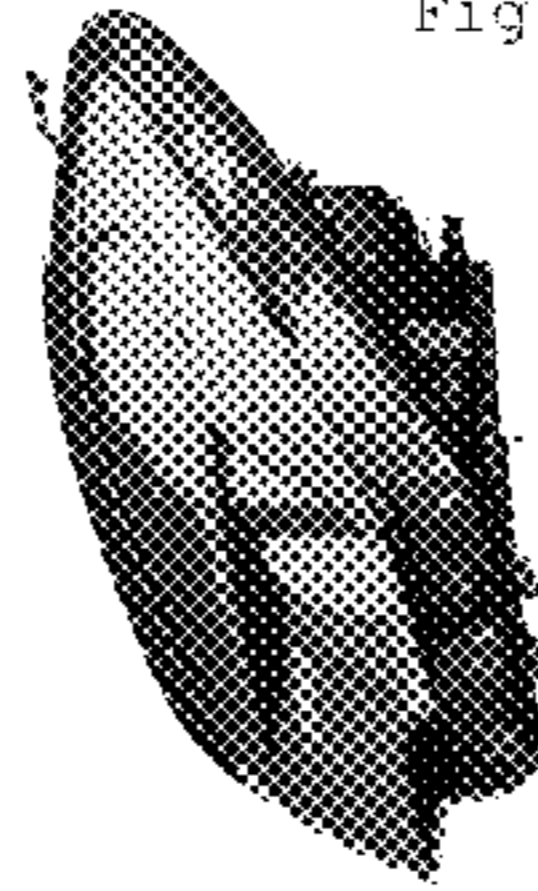


Fig. 6

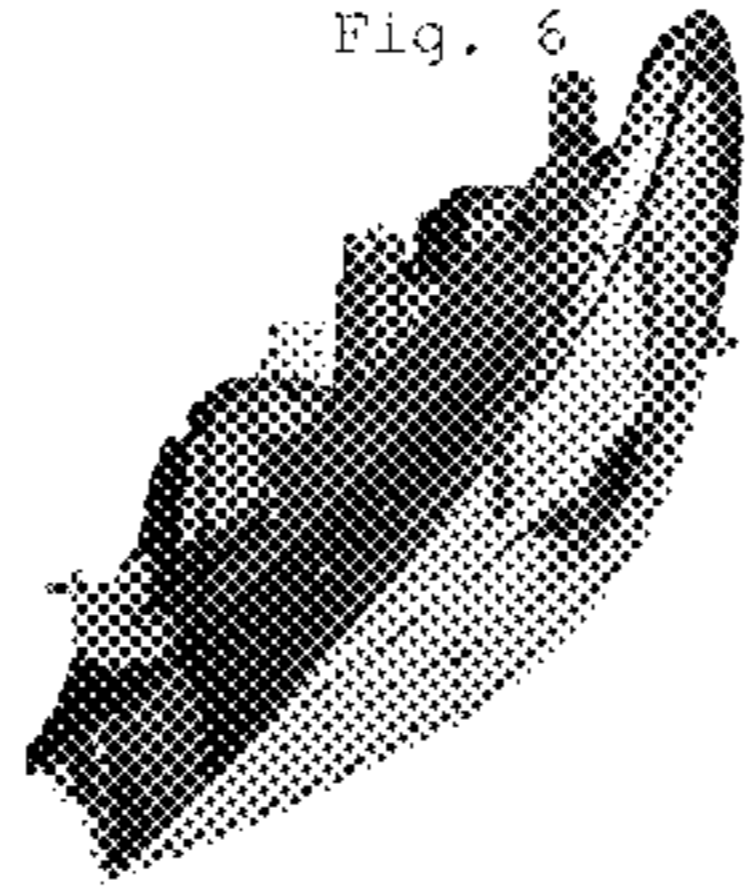
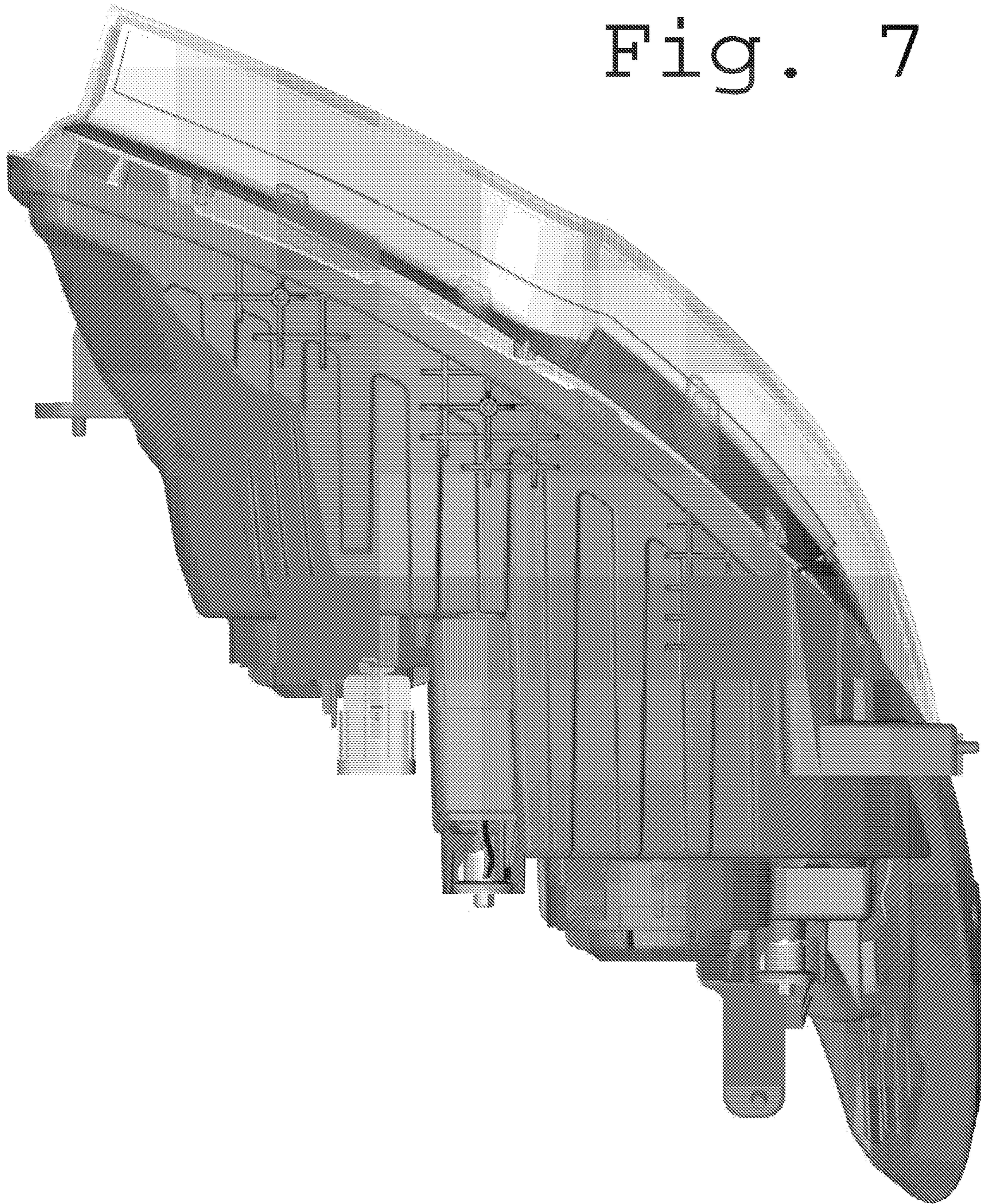


Fig. 7



UNITED STATES PATENT AND TRADEMARK OFFICE
CERTIFICATE OF CORRECTION

PATENT NO. : D691,305 S
APPLICATION NO. : 29/446034
DATED : October 8, 2013
INVENTOR(S) : Jin-chun Choi

Page 1 of 5

It is certified that error appears in the above-identified patent and that said Letters Patent is hereby corrected as shown below:

In the Drawings

Delete Fig. 2, insert attached sheet.

Delete Fig. 4, insert attached sheet.

Delete Fig. 5, insert attached sheet.

Delete Fig. 6, insert attached sheet.

Signed and Sealed this
First Day of December, 2015



Michelle K. Lee
Director of the United States Patent and Trademark Office

Fig. 2

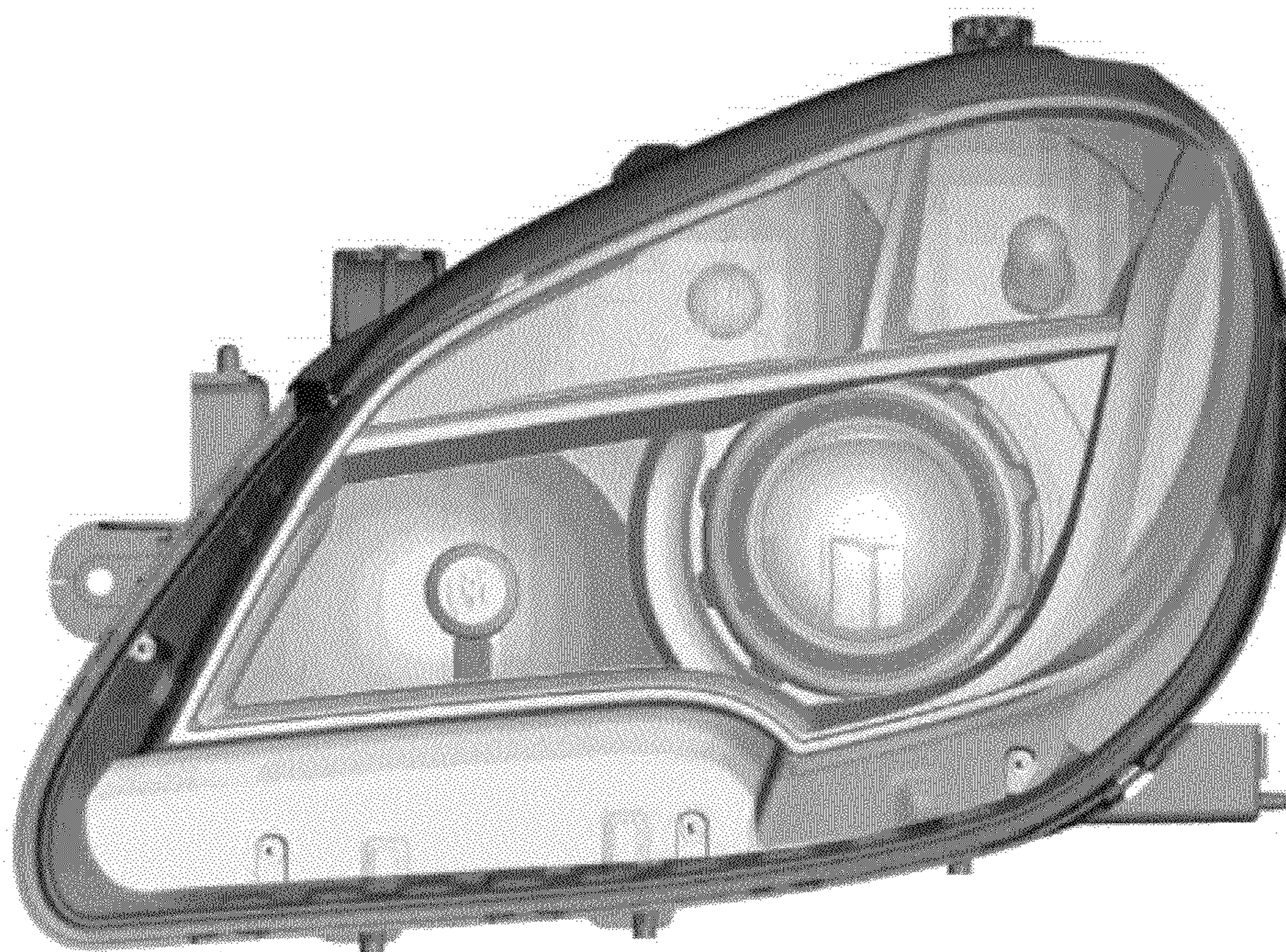


Fig. 4

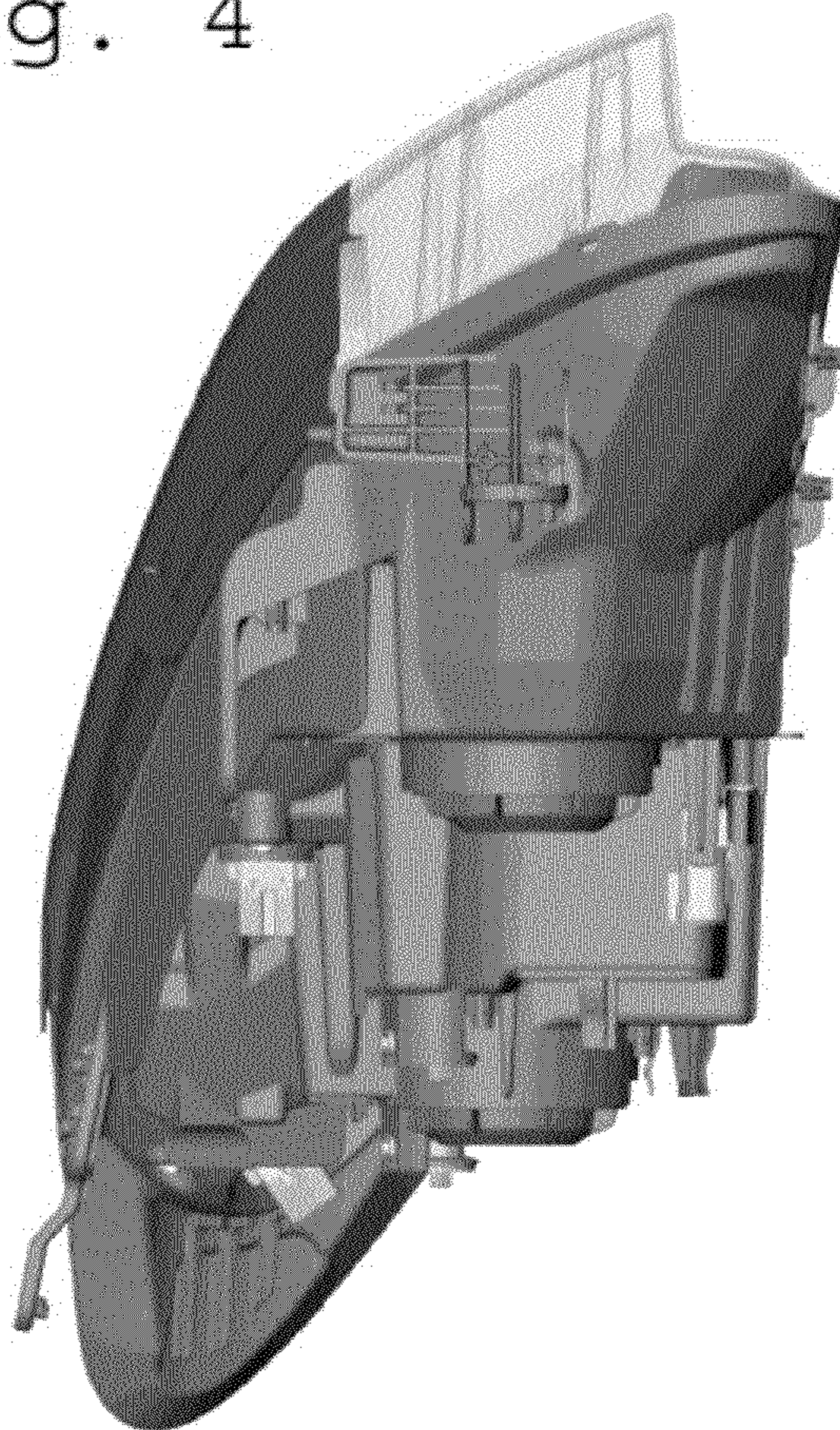


Fig. 5

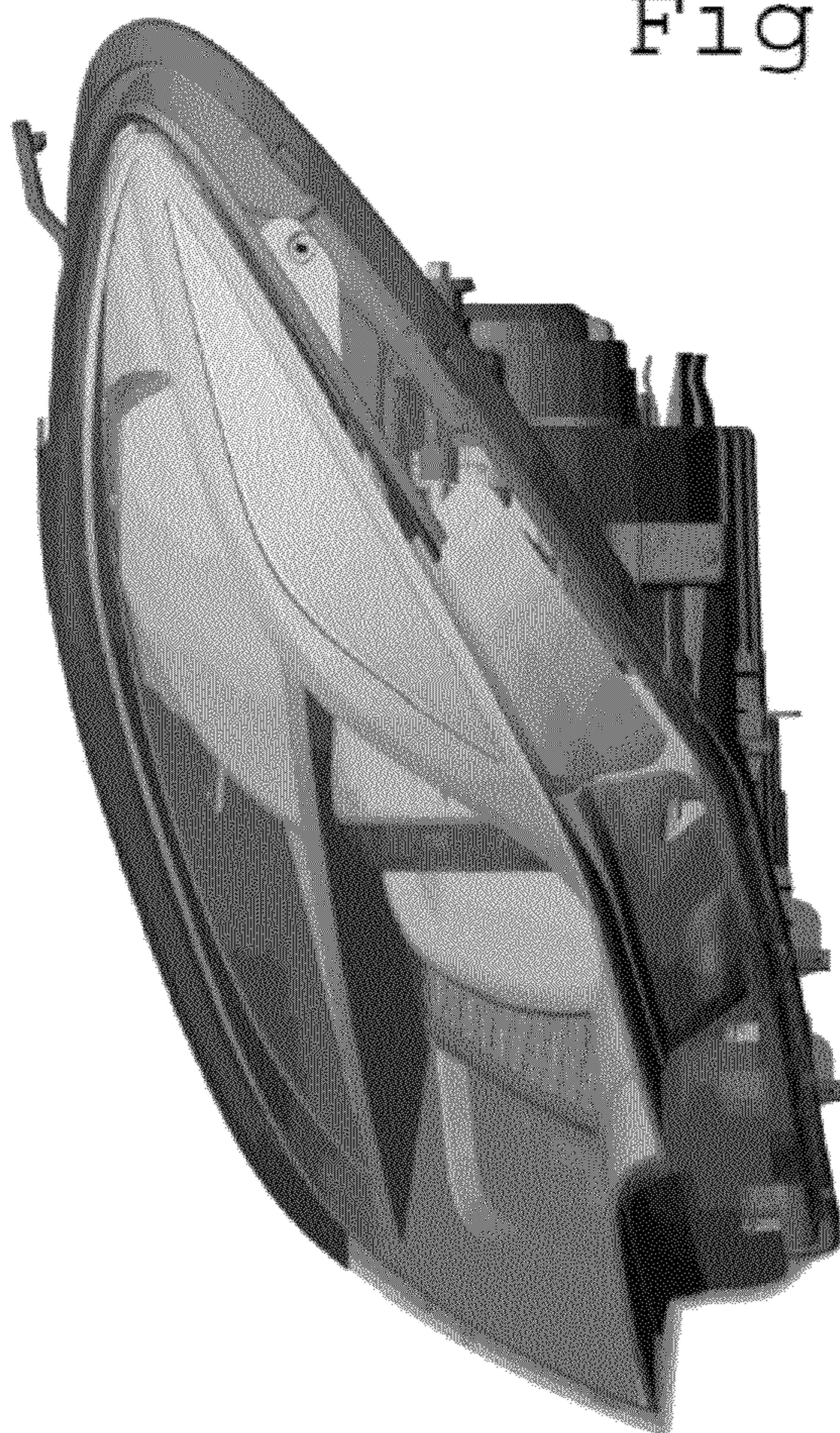


Fig. 6

