

US00D691299S

(12) **United States Design Patent**  
**Binder et al.**

(10) **Patent No.:** **US D691,299 S**

(45) **Date of Patent:** **\*\* Oct. 8, 2013**

(54) **TAILLIGHT FOR A VEHICLE**

(56) **References Cited**

(71) Applicant: **Daimler AG**, Stuttgart (DE)

U.S. PATENT DOCUMENTS

(72) Inventors: **Thomas Binder**, Stuttgart (DE);  
**Hans-Dieter Futschik**, Gechingen (DE);  
**Stefan Handt**, Stuttgart (DE); **Frank Pfisterer**, Weil der Stadt (DE); **Gorden Wagener**, Gaeufelden (DE)

D549,363	S	*	8/2007	Pfeiffer	.....	D26/28
D552,769	S	*	10/2007	Leclercq	.....	D26/28
D553,269	S	*	10/2007	Pfeiffer et al.	.....	D26/28
D570,015	S	*	5/2008	Hsu	.....	D26/28
D574,524	S	*	8/2008	Tomatsu	.....	D26/28
D596,078	S		7/2009	Pfeiffer et al.		
D605,793	S	*	12/2009	Weil	.....	D26/28

\* cited by examiner

(73) Assignee: **Daimler AG**, Stuttgart (DE)

*Primary Examiner* — Marcus Jackson

(\*\*) Term: **14 Years**

(74) *Attorney, Agent, or Firm* — Crowell & Moring LLP

(21) Appl. No.: **29/444,251**

(57) **CLAIM**

The ornamental design for a taillight for a vehicle, as shown and described.

(22) Filed: **Jan. 29, 2013**

**DESCRIPTION**

(30) **Foreign Application Priority Data**

Jul. 30, 2012 (WO) ..... DM/078 807

(51) **LOC (9) Cl.** ..... **26-06**

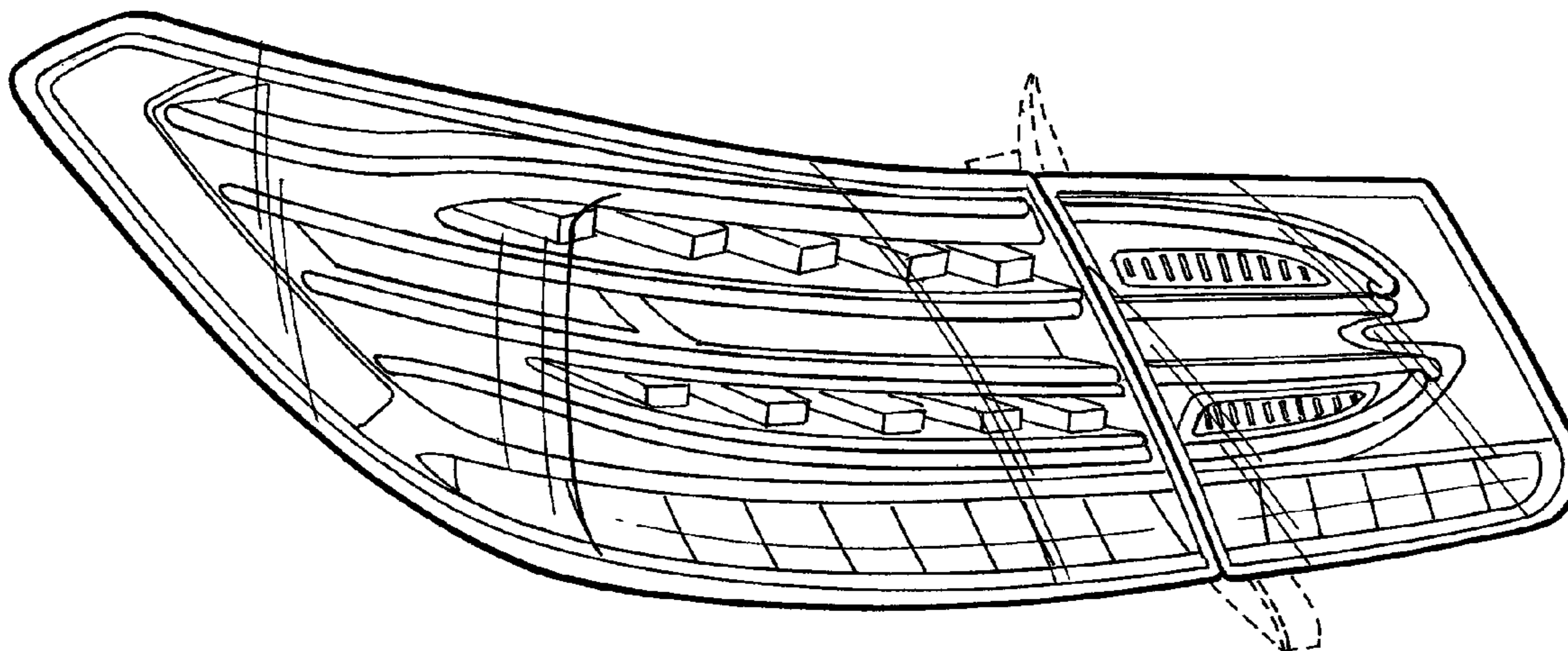
(52) **U.S. Cl.**  
USPC ..... **D26/28**

(58) **Field of Classification Search**  
USPC ..... D26/28-36; 362/459-468, 475-478,  
362/485-487

FIG. 1 is a left perspective view of a first embodiment of a taillight for a vehicle according to the design; FIG. 2 is a front view thereof; FIG. 3 is a left side view thereof; and FIG. 4 is a top view thereof. FIG. 5 is a right perspective view of a second embodiment of a taillight for a vehicle showing our new design, with the taillight for a vehicle for the opposite side of the vehicle being depicted in the first embodiment; FIG. 6 is a front view thereof; FIG. 7 is a right side view thereof; and, FIG. 8 is a top view thereof. The broken lines are for illustrative purposes only and form no part of the claimed design.

See application file for complete search history.

**1 Claim, 4 Drawing Sheets**



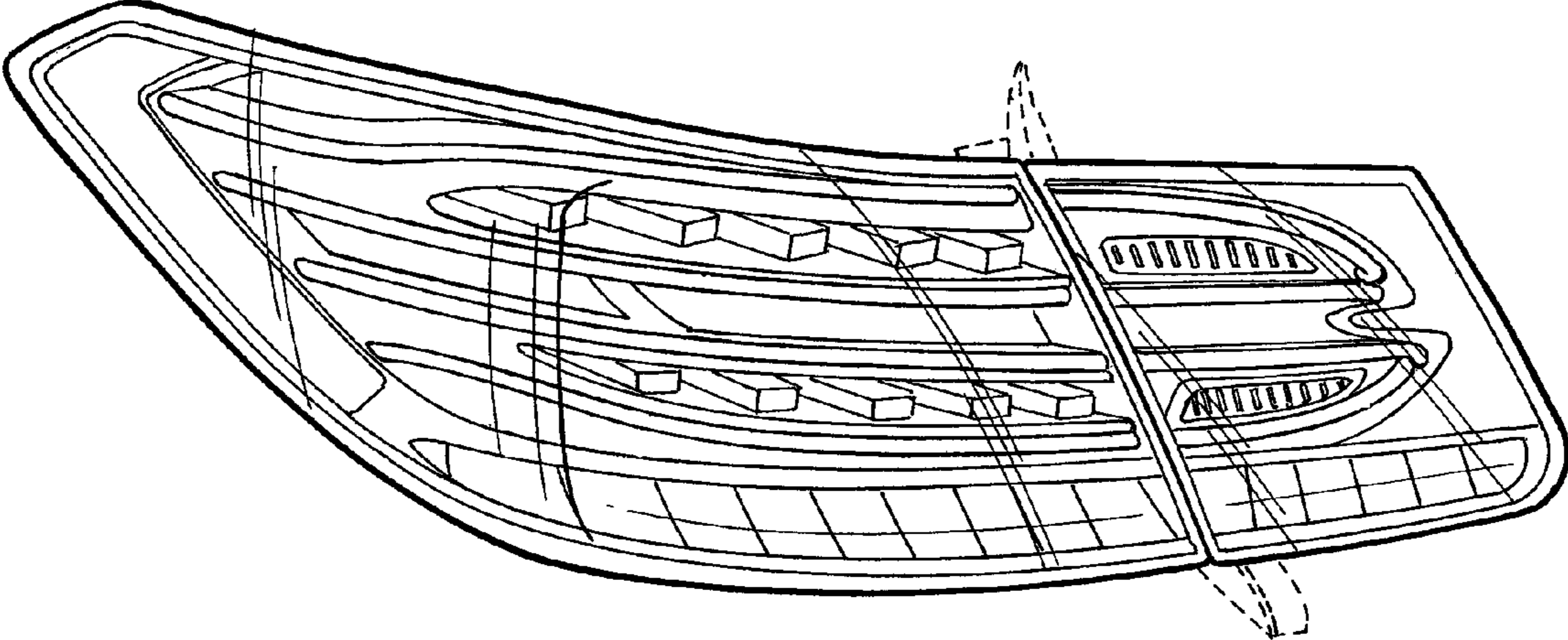


FIG. 1

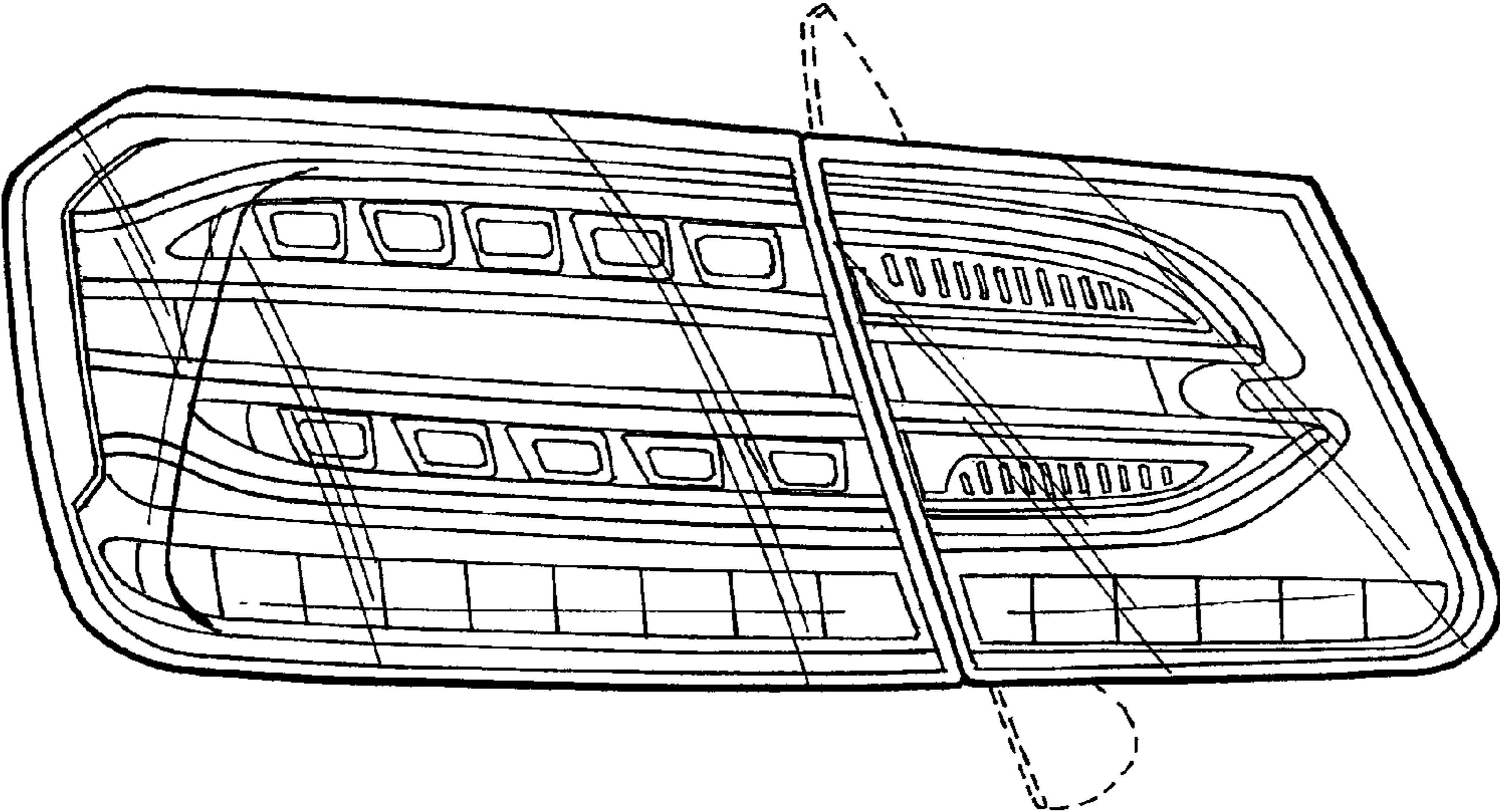


FIG. 2

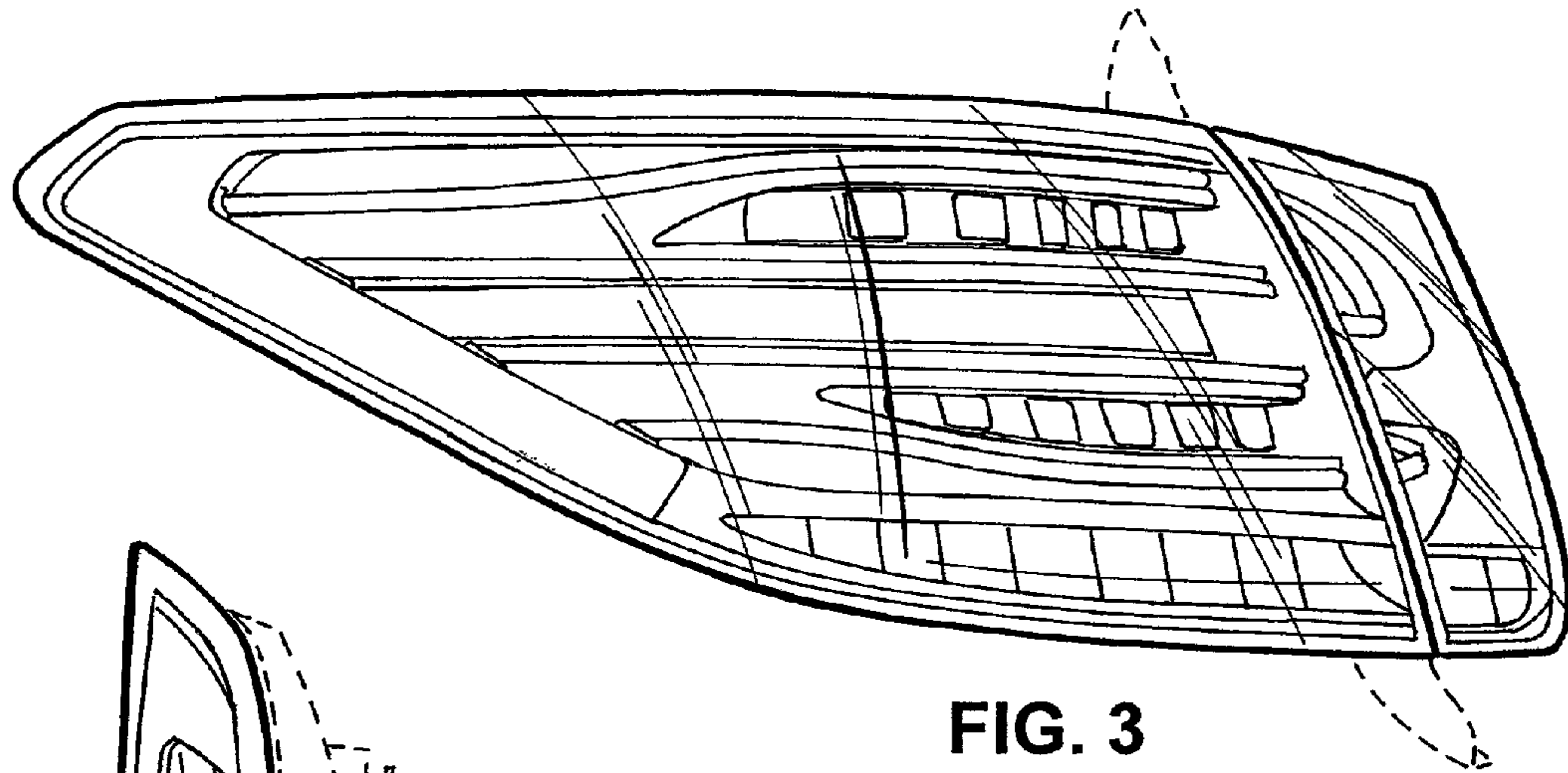


FIG. 3

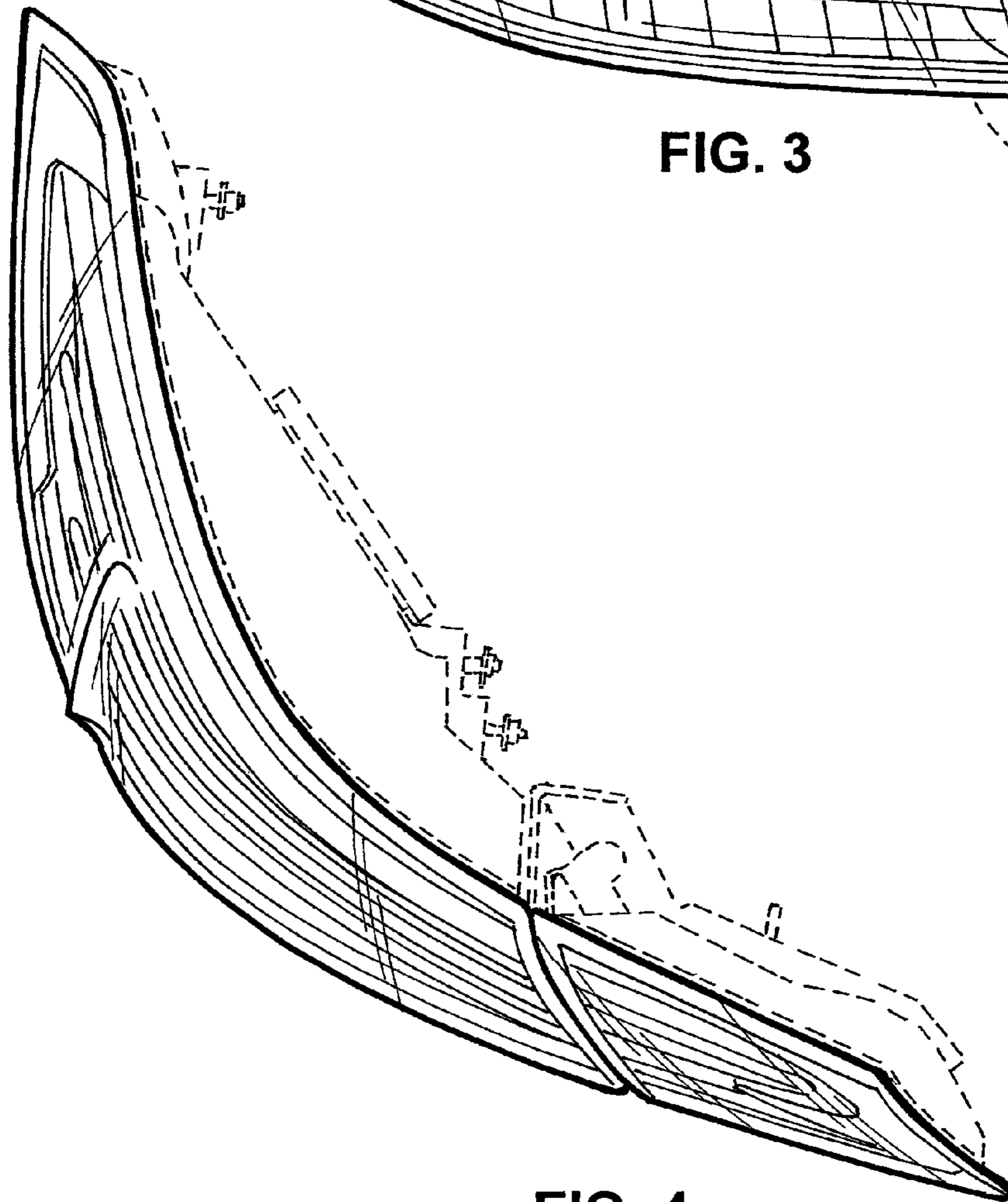


FIG. 4

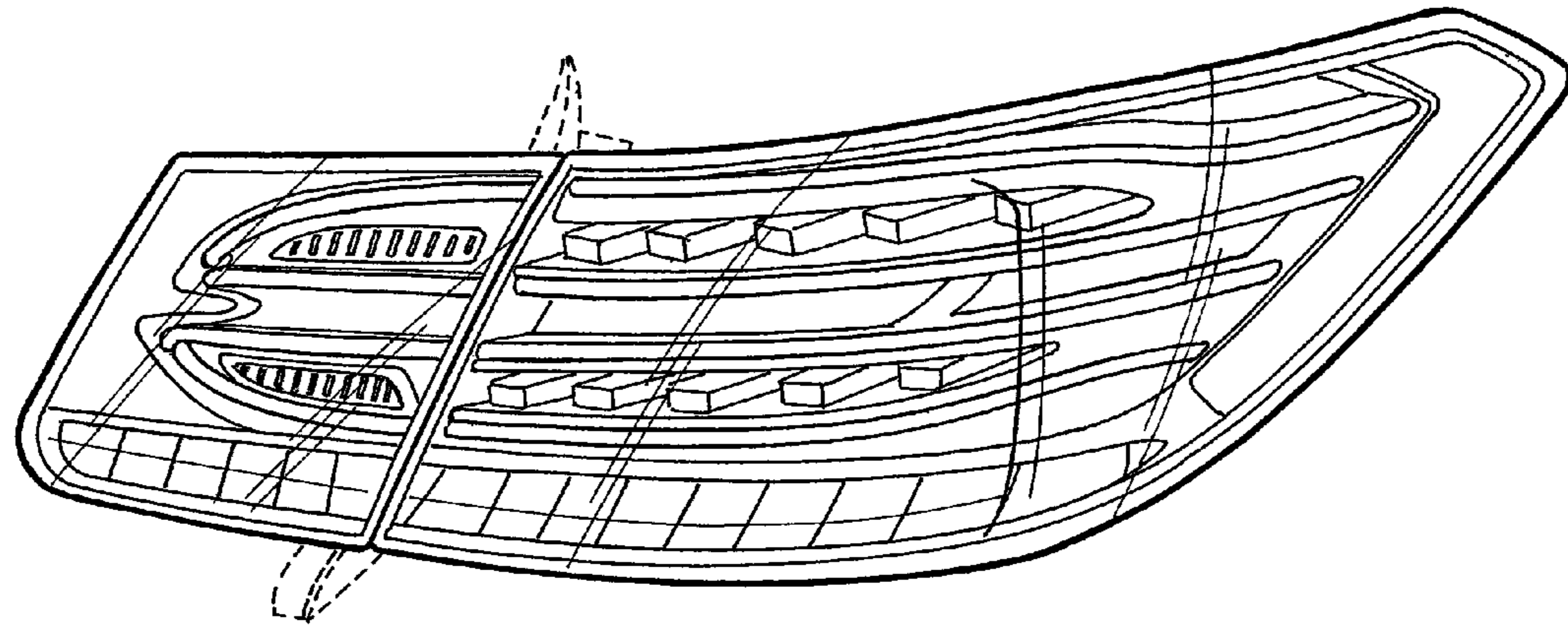


FIG. 5

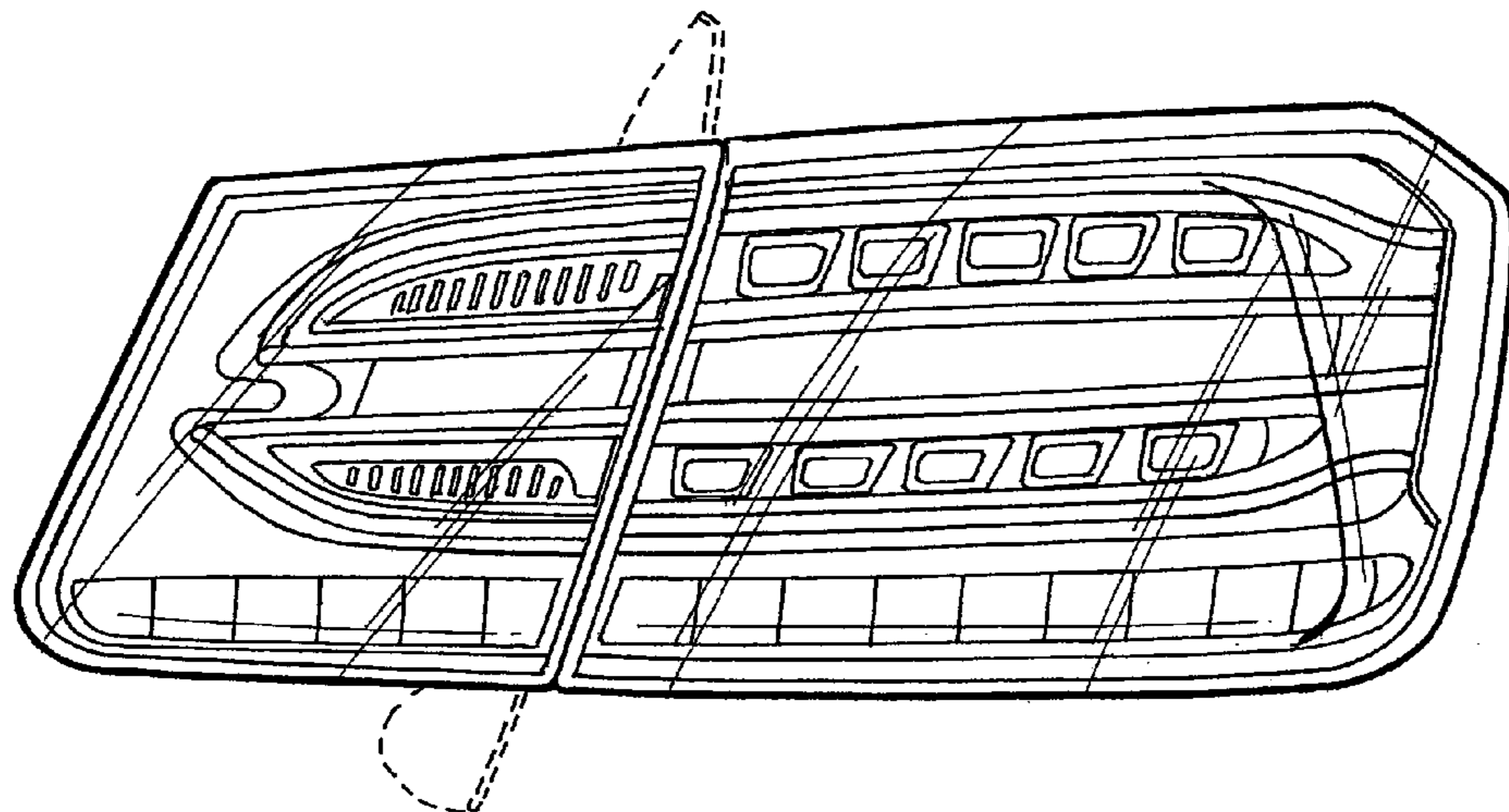


FIG. 6

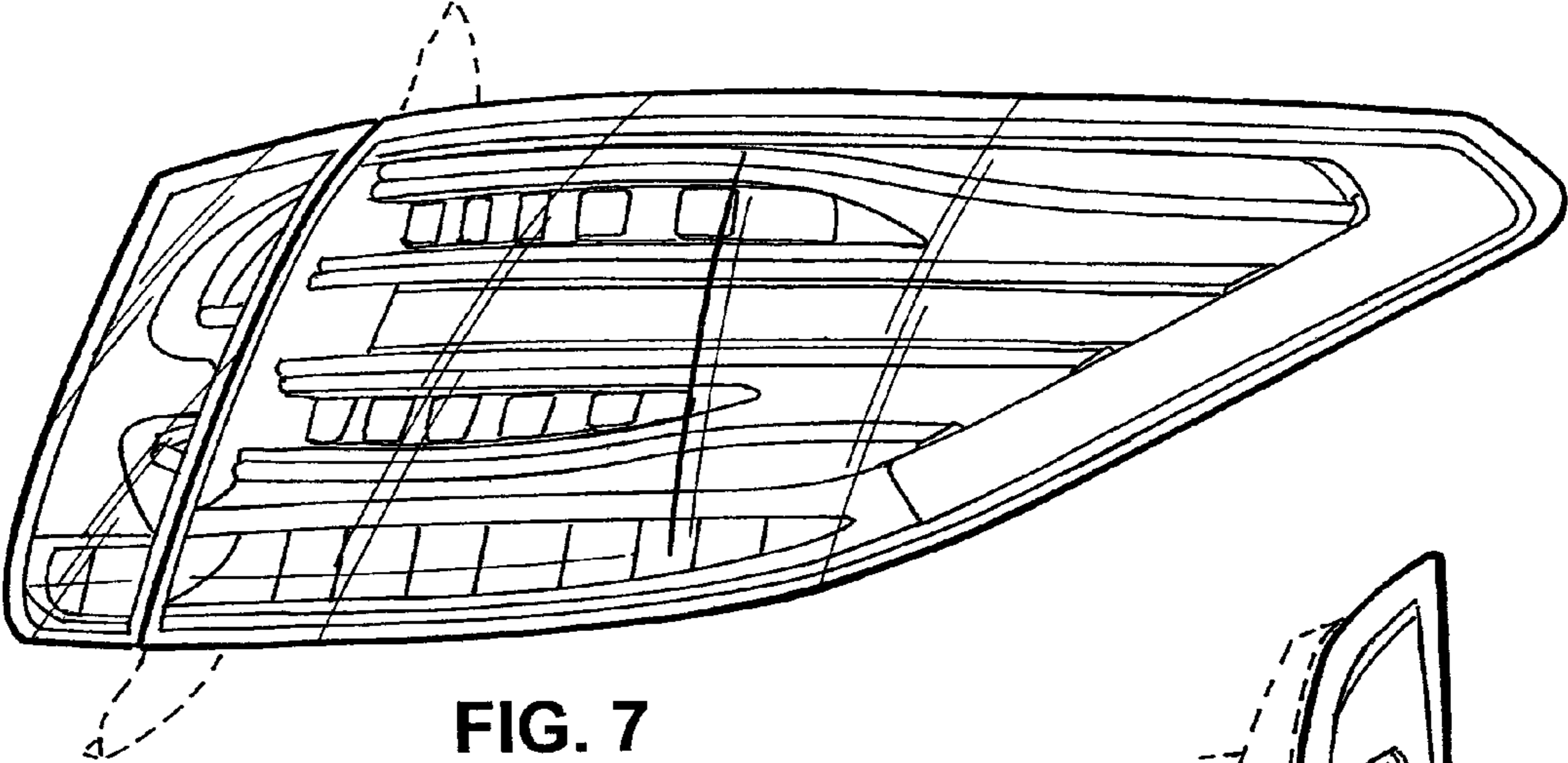


FIG. 7

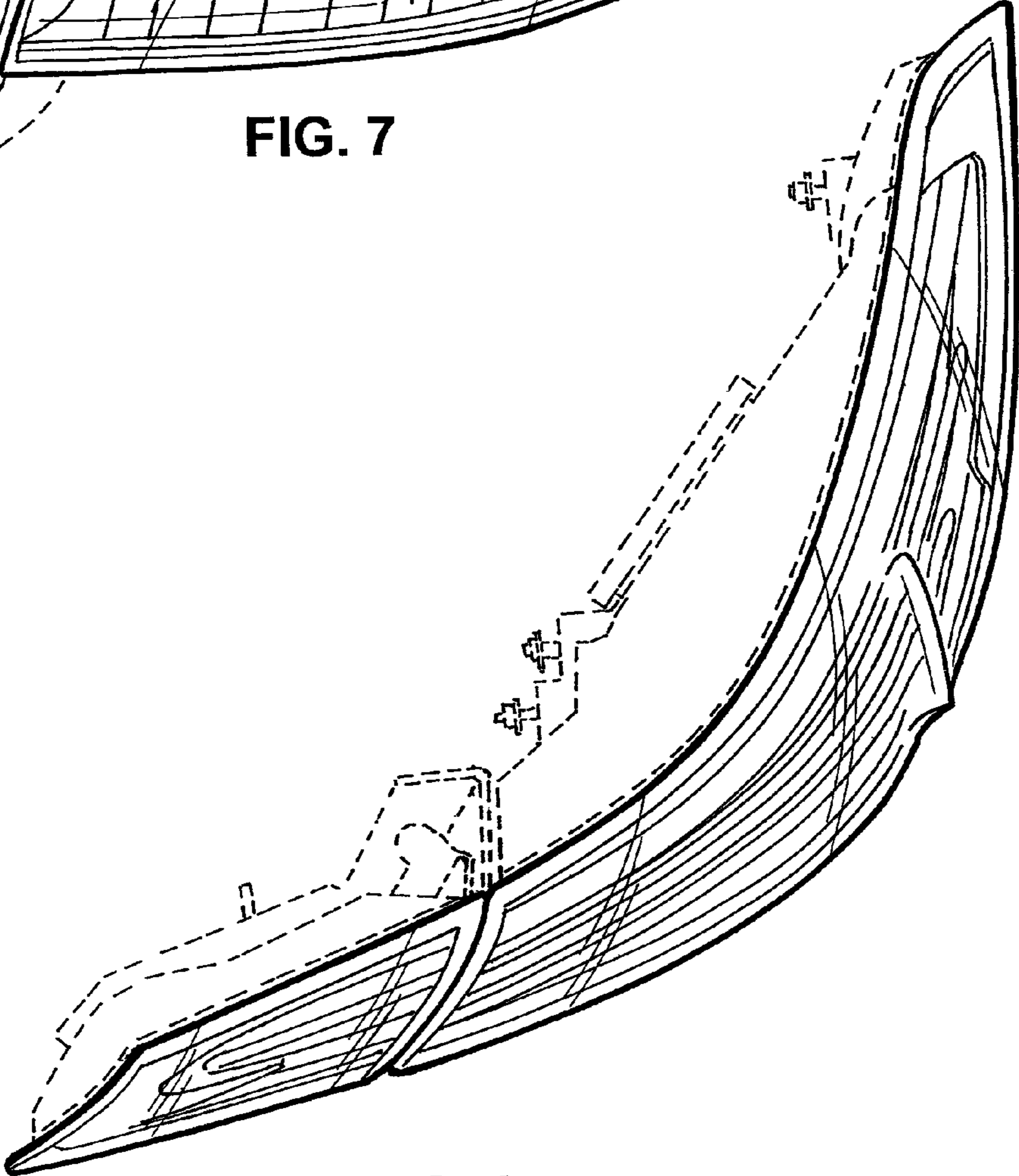


FIG. 8