

US00D691296S

(12) **United States Design Patent**
Platto et al.

(10) **Patent No.:** **US D691,296 S**

(45) **Date of Patent:** **** Oct. 8, 2013**

(54) **VEHICLE TAIL LAMP**

(71) Applicant: **Ford Motor Company**, Dearborn, MI (US)

(72) Inventors: **Gordon M Platto**, Troy, MI (US); **Bruce Preston Williams**, Grosse Pointe Park, MI (US); **Anthony Lee Meyer**, Dearborn, MI (US)

(73) Assignee: **Ford Motor Company**, Dearborn, MI (US)

(**) Term: **14 Years**

(21) Appl. No.: **29/440,519**

(22) Filed: **Dec. 21, 2012**

(51) **LOC (9) Cl.** **26-06**

(52) **U.S. Cl.**
USPC **D26/28**

(58) **Field of Classification Search**
USPC D26/28-36; 362/458-469, 475-478, 362/485-487

See application file for complete search history.

(56) **References Cited**

U.S. PATENT DOCUMENTS

D541,445 S *	4/2007	Lin	D26/28
D549,363 S *	8/2007	Pfeiffer	D26/28
D550,380 S *	9/2007	Lin et al.	D26/28
D552,769 S *	10/2007	Leclercq	D26/28
D553,268 S *	10/2007	Pfeiffer	D26/28
D553,269 S *	10/2007	Pfeiffer et al.	D26/28
D565,211 S *	3/2008	Haller et al.	D26/28

D570,015 S *	5/2008	Hsu	D26/28
D574,524 S *	8/2008	Tomatsu	D26/28
D602,616 S *	10/2009	Okamura et al.	D26/28
D605,793 S *	12/2009	Weil	D26/28
D620,157 S *	7/2010	Frenzel et al.	D26/28

OTHER PUBLICATIONS

Siler, Steve, <http://www.caranddriver.com/news/2011-ford-f-series-super-duty-official-photos-and-info>, 2011 Ford F-Series Super Duty, Sep. 2009, pp. 1-3.

* cited by examiner

Primary Examiner — Marcus Jackson

(74) *Attorney, Agent, or Firm* — Damian Porcari; Brooks Kushman P.C.

(57) **CLAIM**

The ornamental design for a vehicle tail lamp, as shown and described.

DESCRIPTION

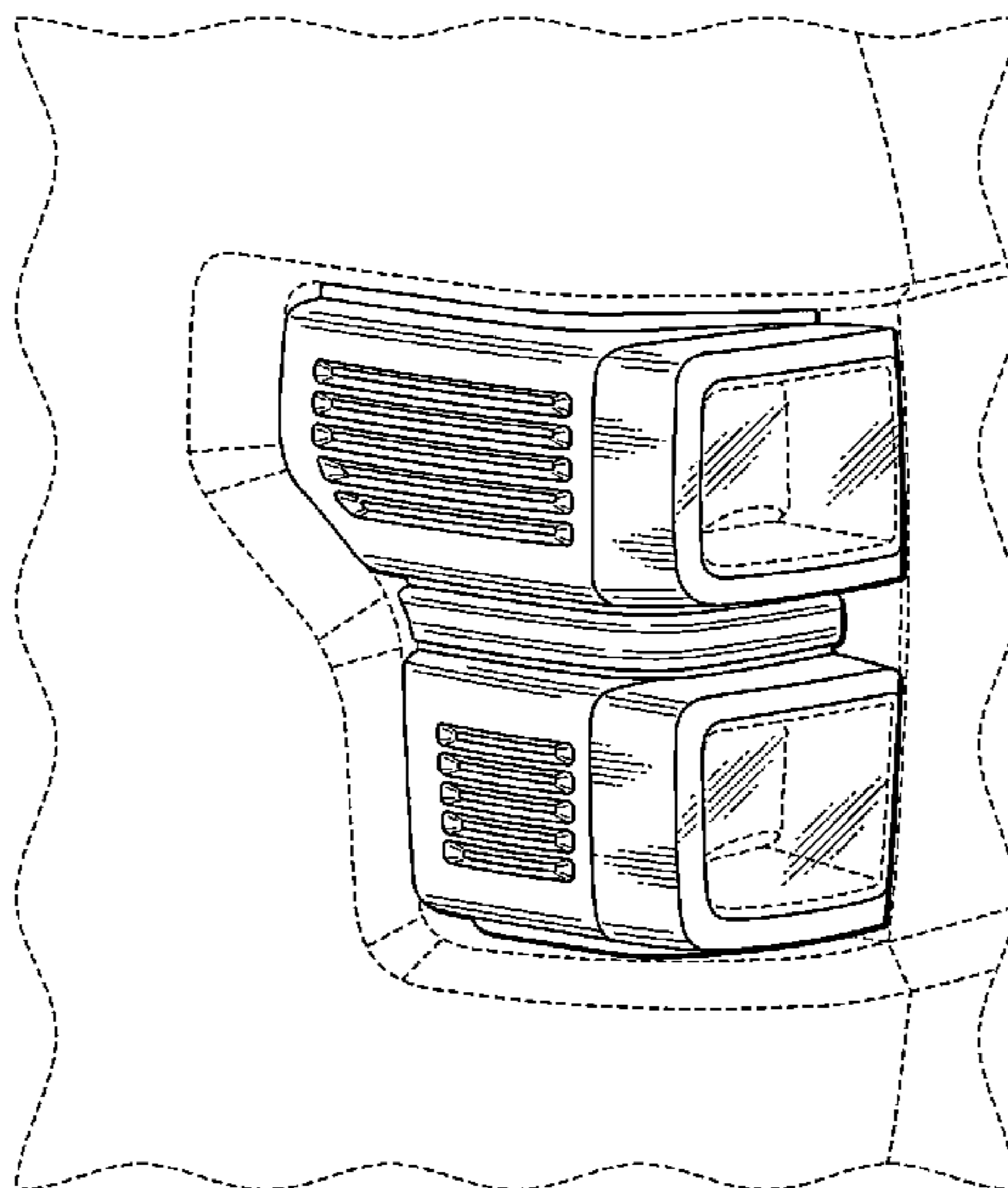
FIG. 1 is a rear perspective view of a vehicle tail lamp in accordance with an embodiment of the present invention, wherein one tail lamp is shown on each side of the vehicle; FIG. 2 is a rear/left side perspective view of the vehicle tail lamp of FIG. 1, wherein a rear/right side perspective view is a mirror image thereof;

FIG. 3 is a left side perspective view of the vehicle tail lamp of FIG. 1, wherein a right side perspective view is a mirror image thereof; and,

FIG. 4 is a front/left side perspective view of the vehicle tail lamp of FIG. 1, wherein a front/right side perspective view is a mirror image thereof.

The broken lines are for illustrative purposes only and form no part of the claimed design.

1 Claim, 3 Drawing Sheets



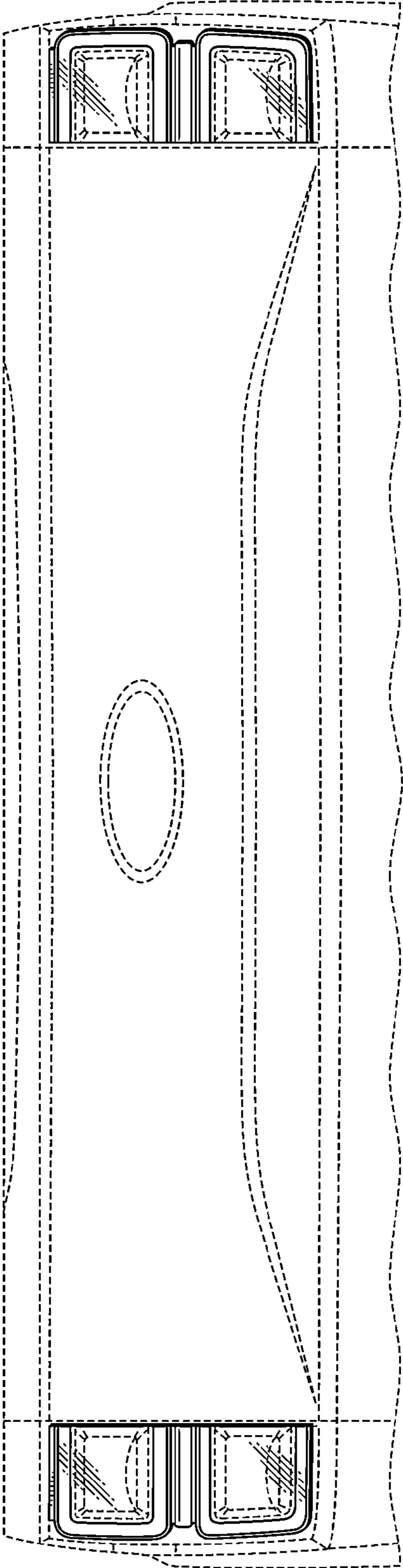


FIG. 1

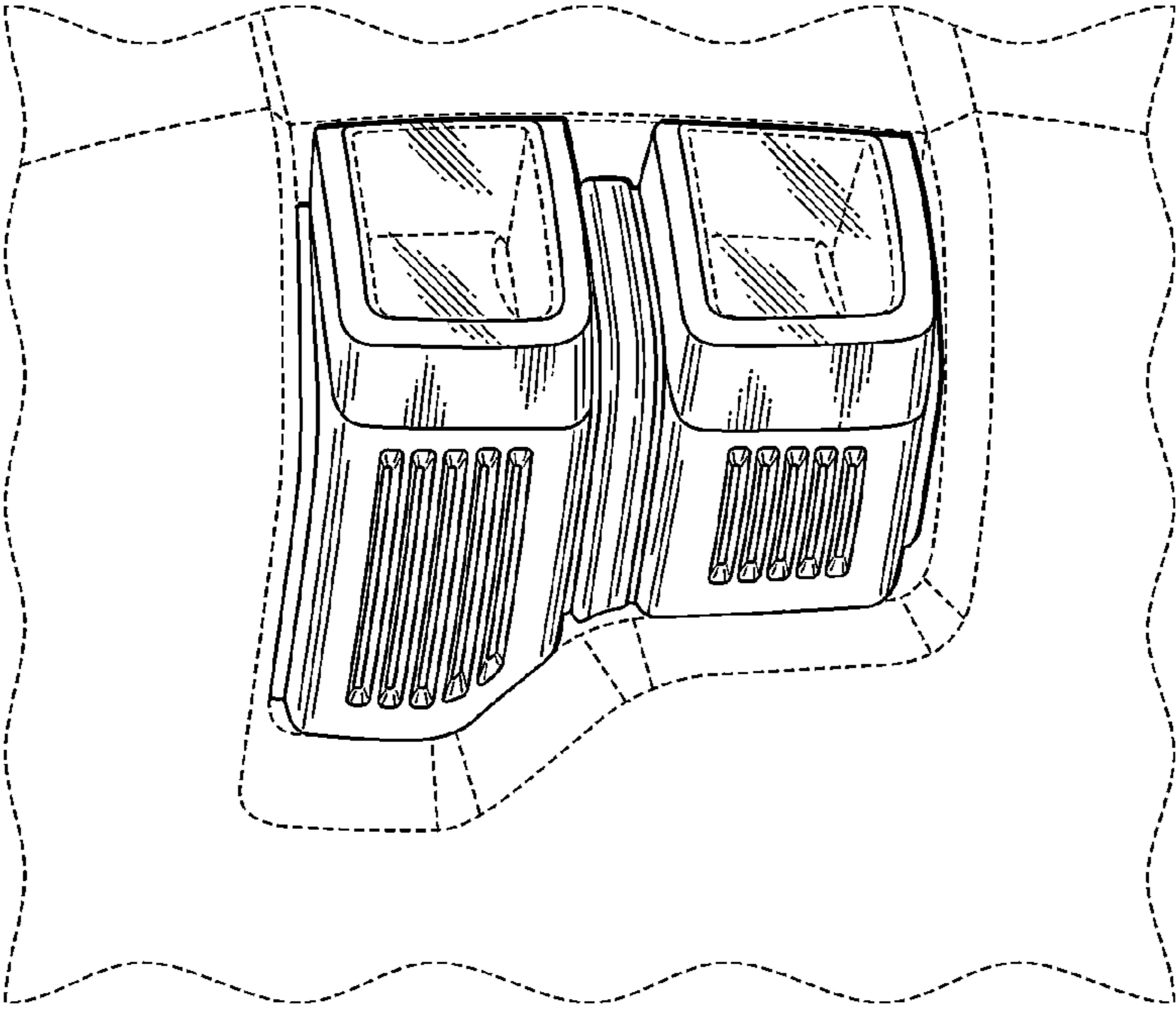


FIG. 2

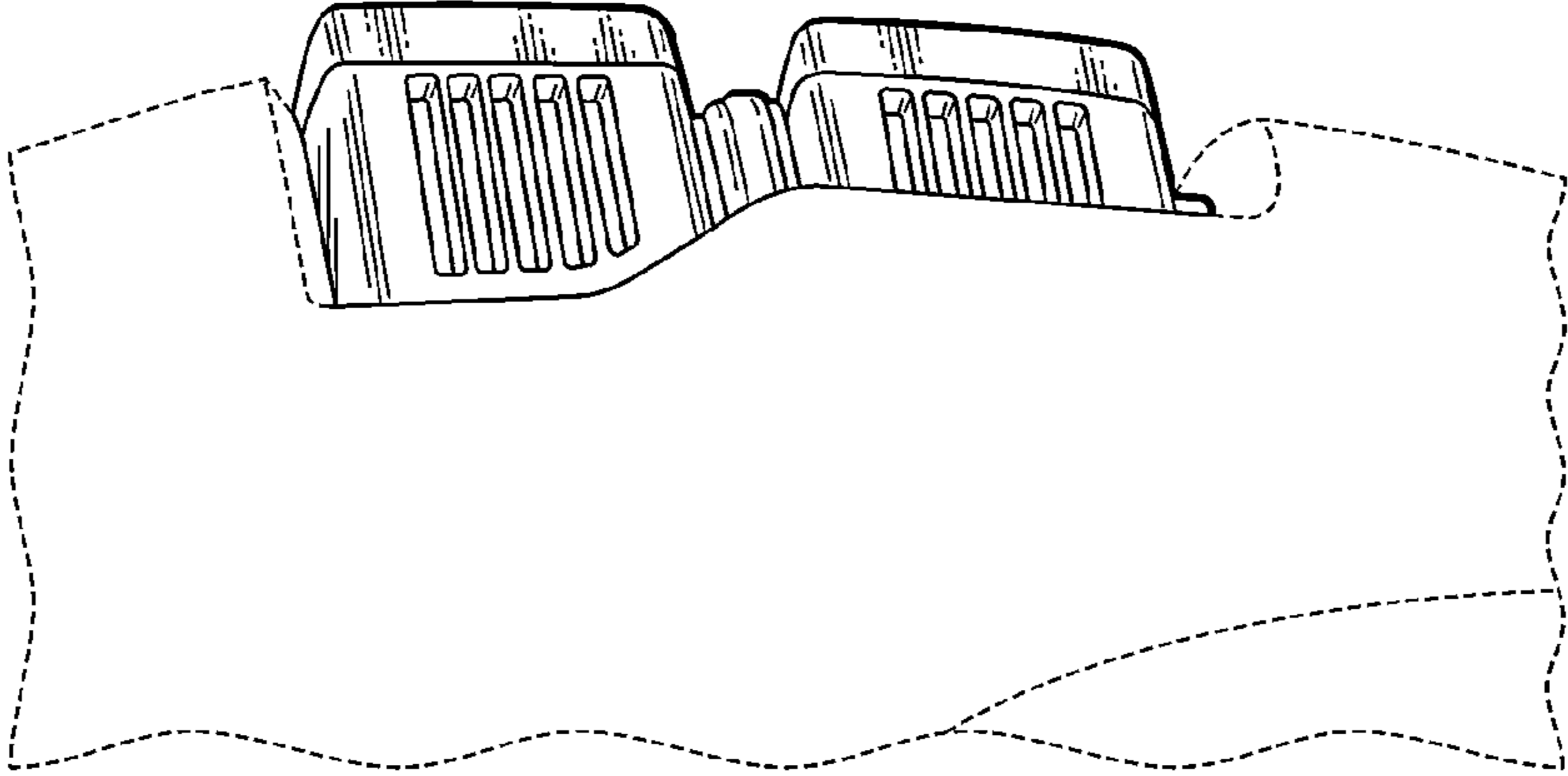


FIG. 4

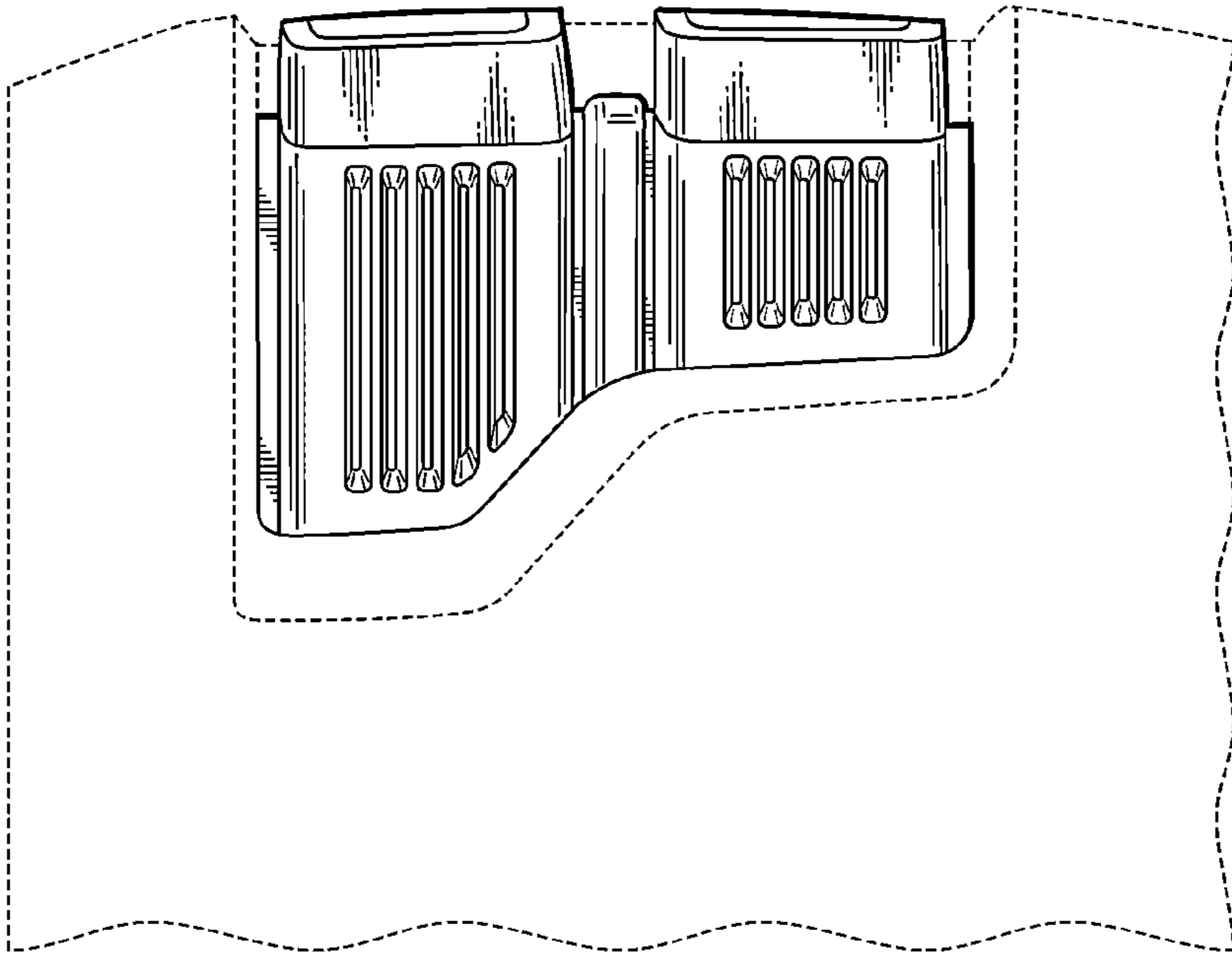


FIG. 3