

US00D691294S

(12) **United States Design Patent**
Hsu et al.

(10) **Patent No.:** **US D691,294 S**
(45) **Date of Patent:** **** Oct. 8, 2013**

(54) **LIGHT EMITTING DIODE LAMP**

(56) **References Cited**

(71) Applicants: **Cal-Comp Electronics & Communications Company Limited**, New Taipei (TW); **Kinpo Electronics, Inc.**, New Taipei (TW)

(72) Inventors: **Ming-Cheng Hsu**, New Taipei (TW); **Che-Hsin Liao**, New Taipei (TW); **Tsung-Chi Lai**, New Taipei (TW); **Yi-Chu Hsieh**, New Taipei (TW)

(73) Assignees: **Cal-Comp Electronics & Communications Company Limited**, New Taipei (TW); **Kinpo Electronics, Inc.**, New Taipei (TW)

(**) Term: **14 Years**

(21) Appl. No.: **29/446,572**

(22) Filed: **Feb. 25, 2013**

Related U.S. Application Data

(63) Continuation-in-part of application No. 29/384,546, filed on Feb. 1, 2011, now Pat. No. Des. 679,843.

(51) **LOC (9) Cl.** **26-04**

(52) **U.S. Cl.**
USPC **D26/2**

(58) **Field of Classification Search**
USPC D26/1-4; 313/313, 315, 316, 317, 313/318, 493; 315/52, 53, 56, 57, 58
See application file for complete search history.

U.S. PATENT DOCUMENTS

D610,722	S	*	2/2010	Bi	D26/2
D626,260	S	*	10/2010	Wei	D26/2
D628,319	S	*	11/2010	Yoshinobu et al.	D26/2
D629,129	S	*	12/2010	Lin et al.	D26/2
D630,347	S	*	1/2011	Pei et al.	D26/2
D630,775	S	*	1/2011	Pan	D26/2
D631,577	S	*	1/2011	Yoshinobu et al.	D26/2
D646,406	S	*	10/2011	Tsai et al.	D26/2
D679,843	S	*	4/2013	Hsu et al.	D26/2

* cited by examiner

Primary Examiner — Marcus Jackson

(74) *Attorney, Agent, or Firm* — Jianq Chyun IP Office

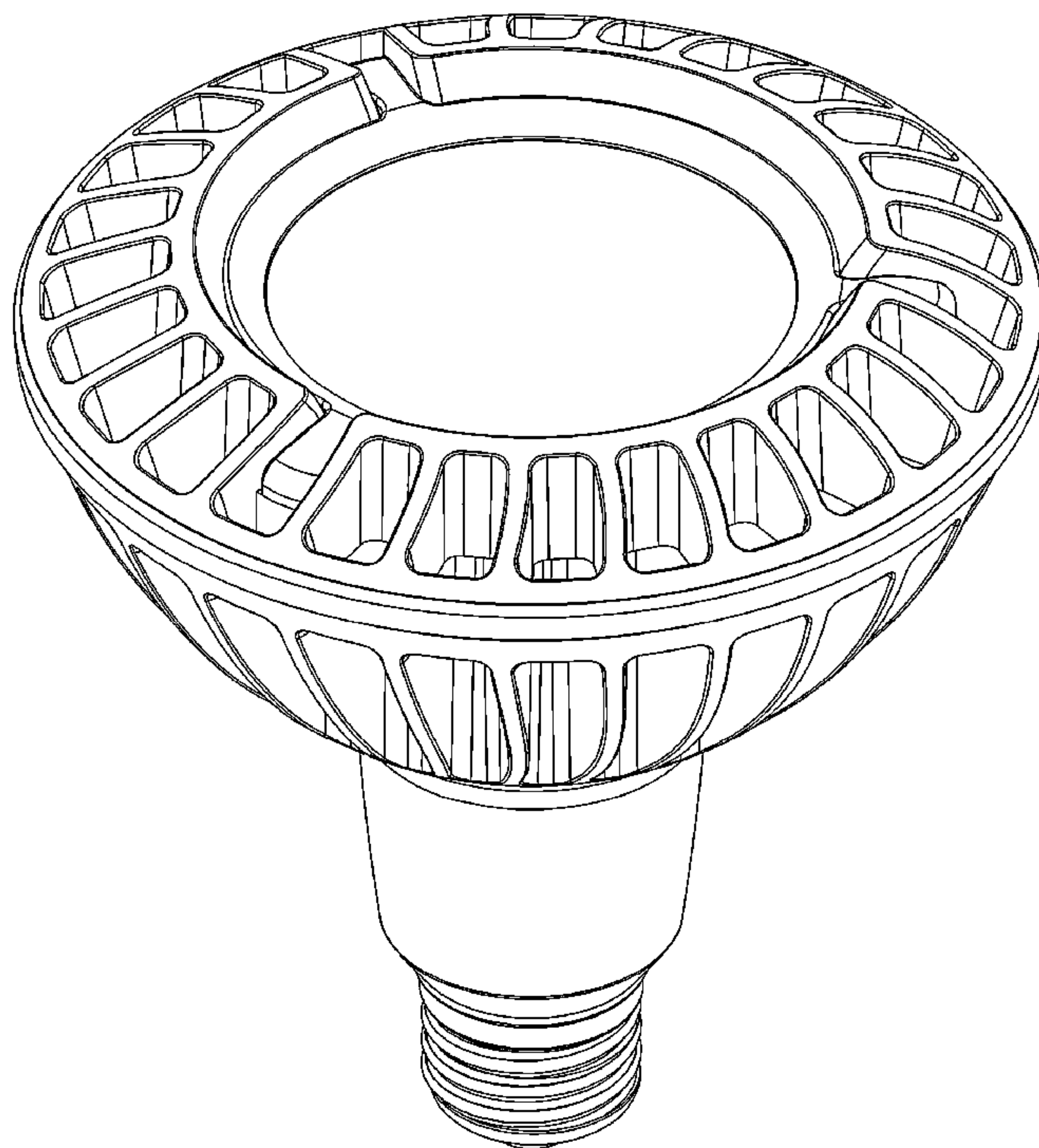
(57) **CLAIM**

The ornamental design for a light emitting diode lamp, as shown and described.

DESCRIPTION

FIG. 1 is a perspective view of a lighting emitting diode lamp showing our new design;
FIG. 2 is another perspective view thereof;
FIG. 3 is a front view thereof;
FIG. 4 is a rear view thereof;
FIG. 5 is a left view thereof;
FIG. 6 is a right side view thereof;
FIG. 7 is a top view thereof; and,
FIG. 8 is a bottom view thereof.

1 Claim, 8 Drawing Sheets



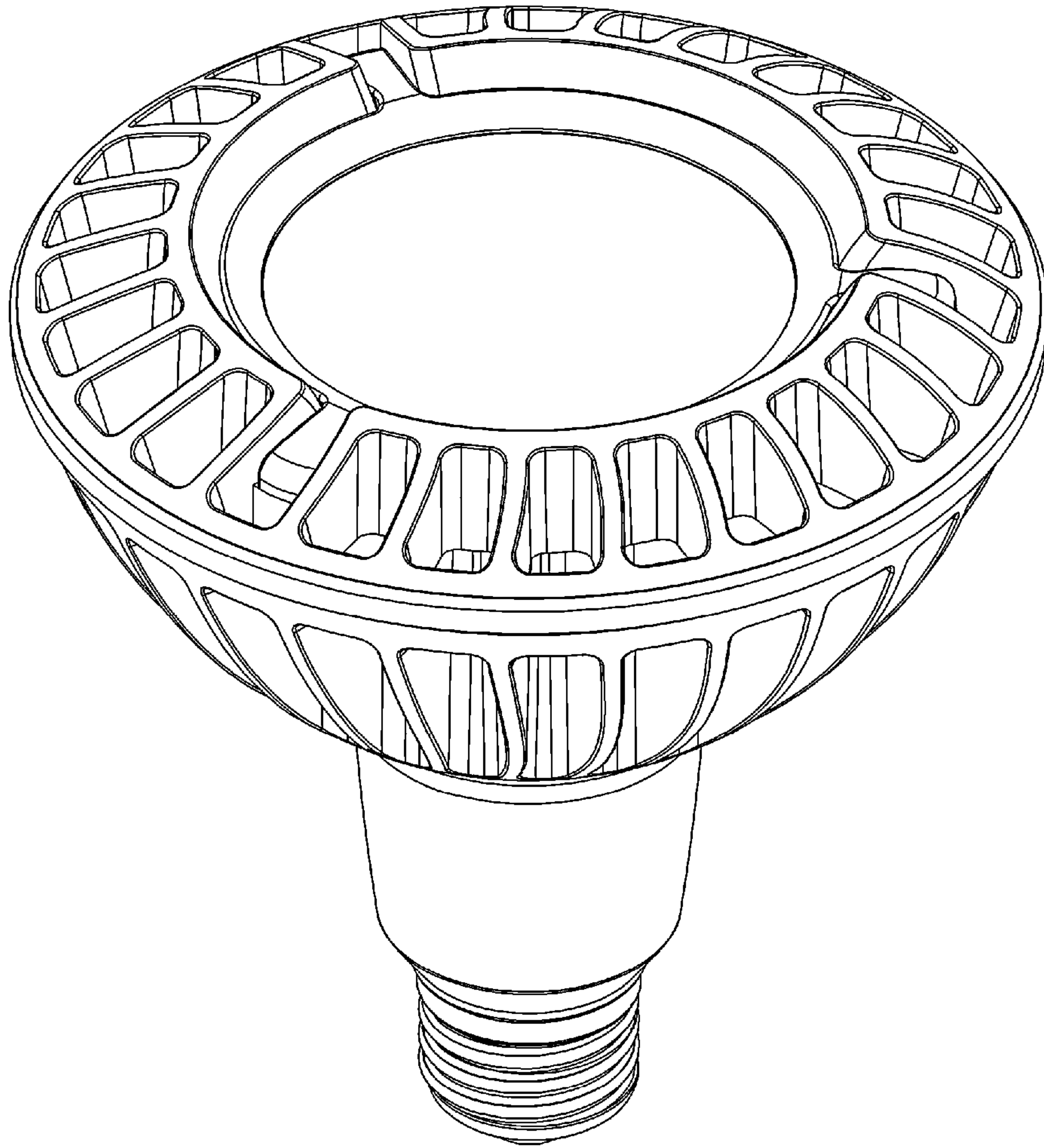


FIG. 1

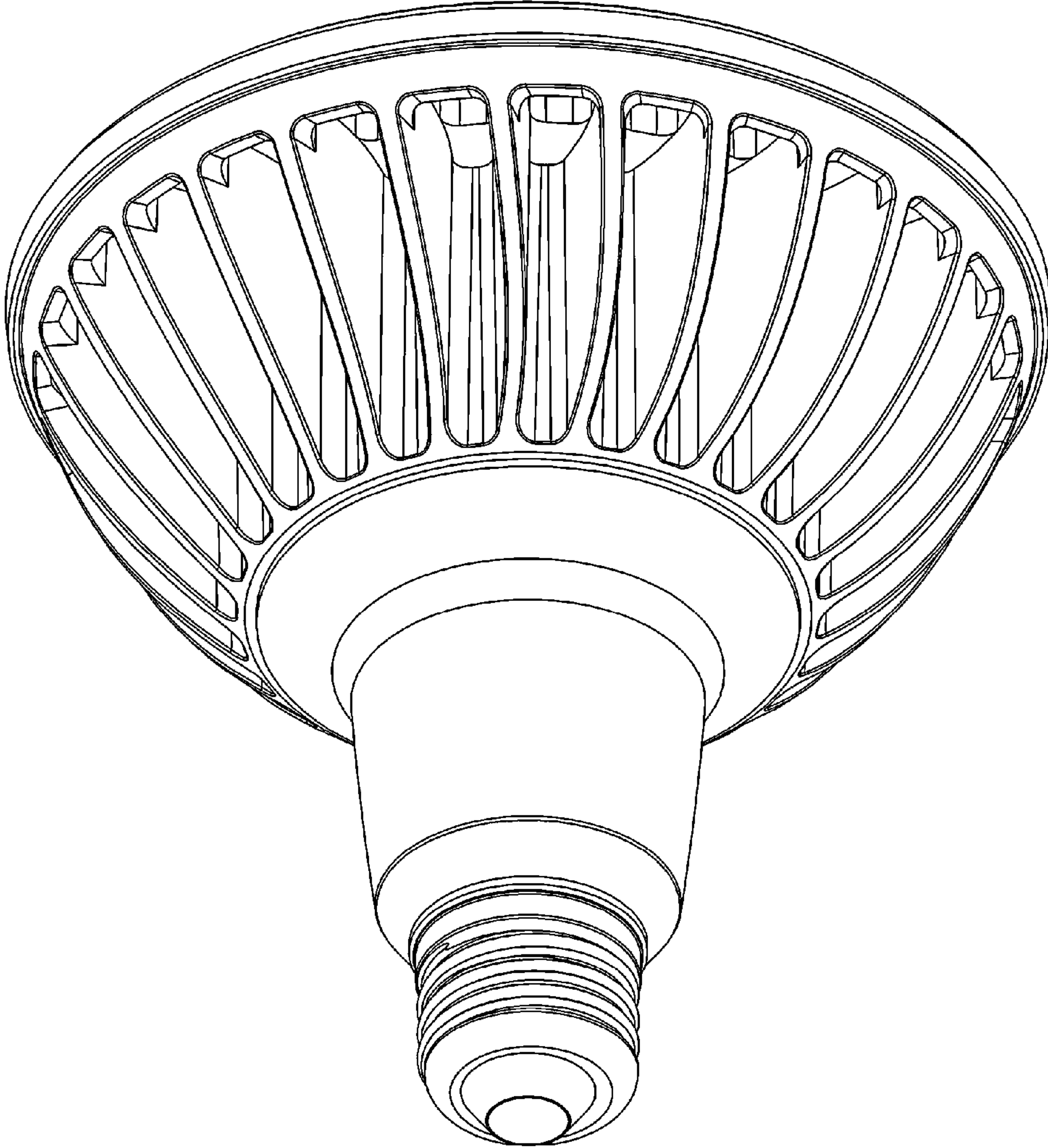


FIG. 2

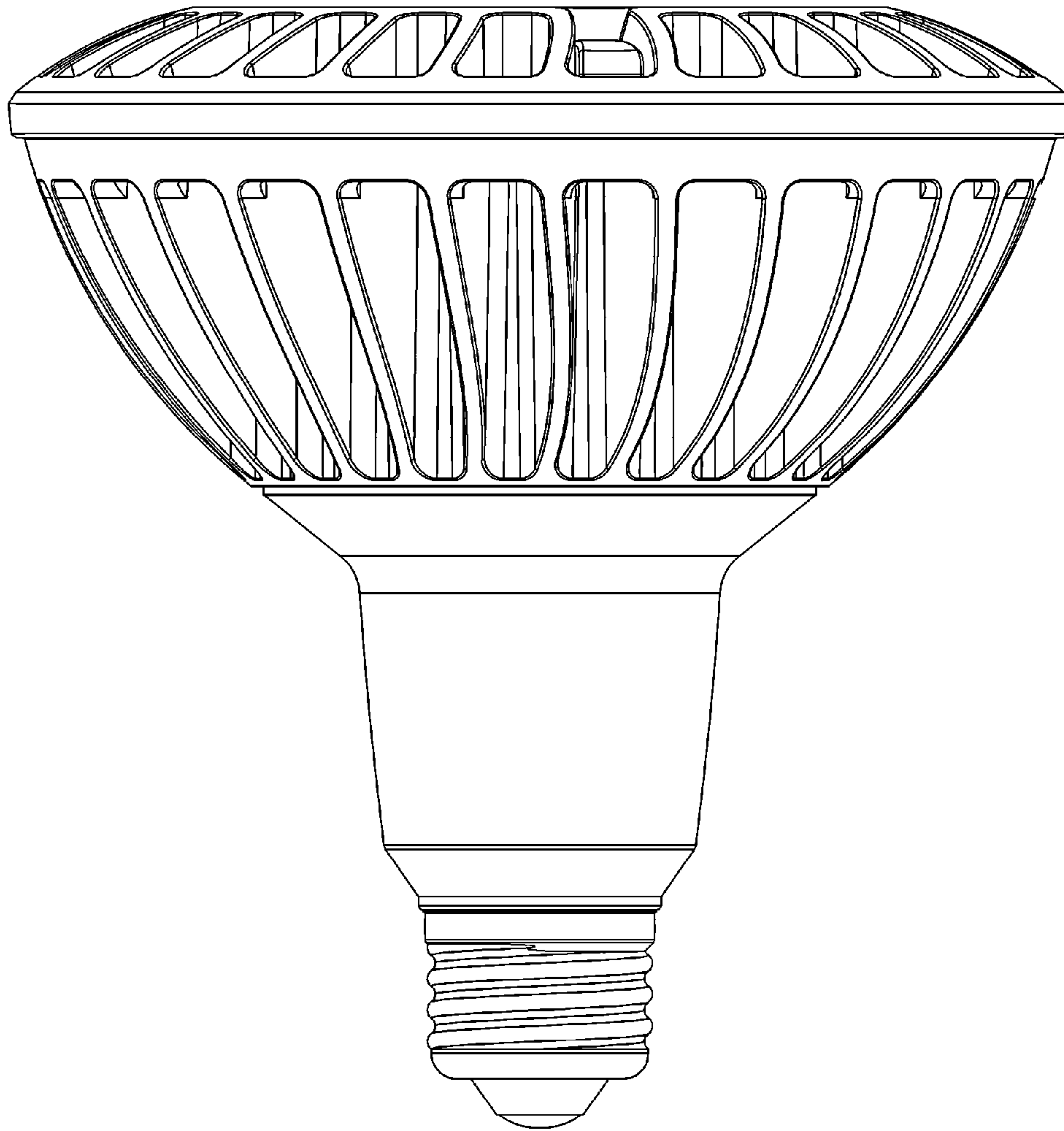


FIG. 3

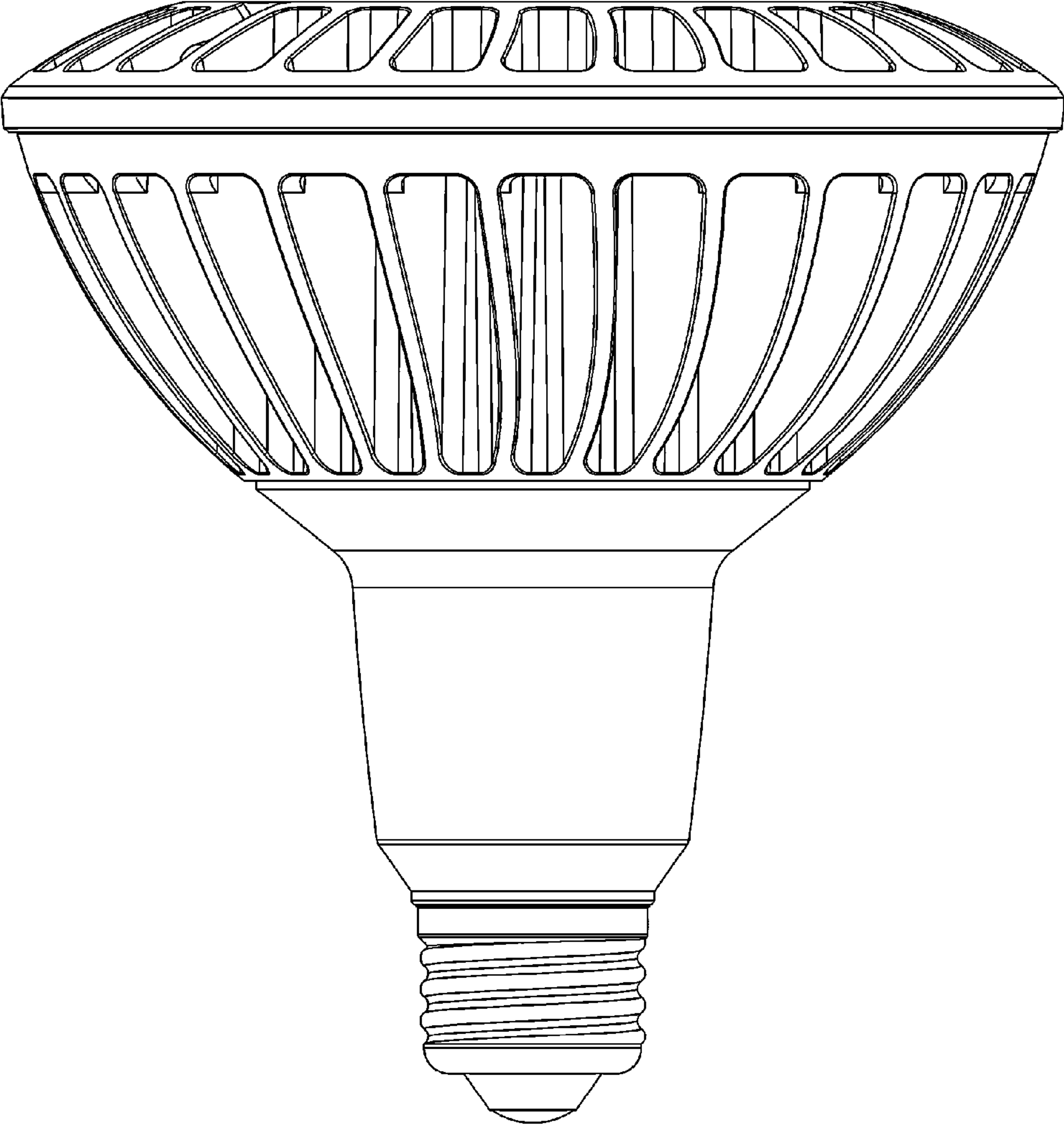


FIG. 4

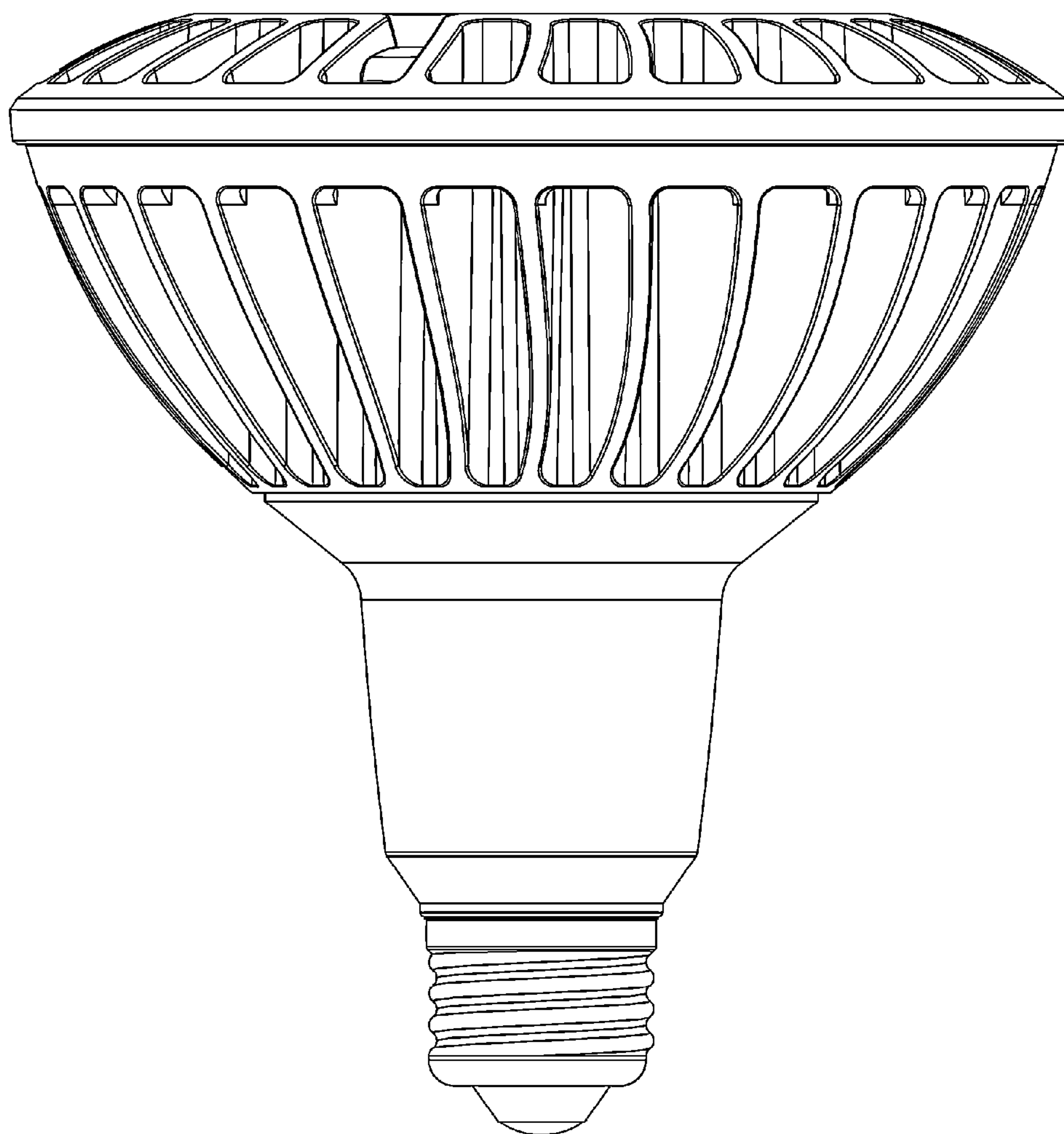


FIG. 5

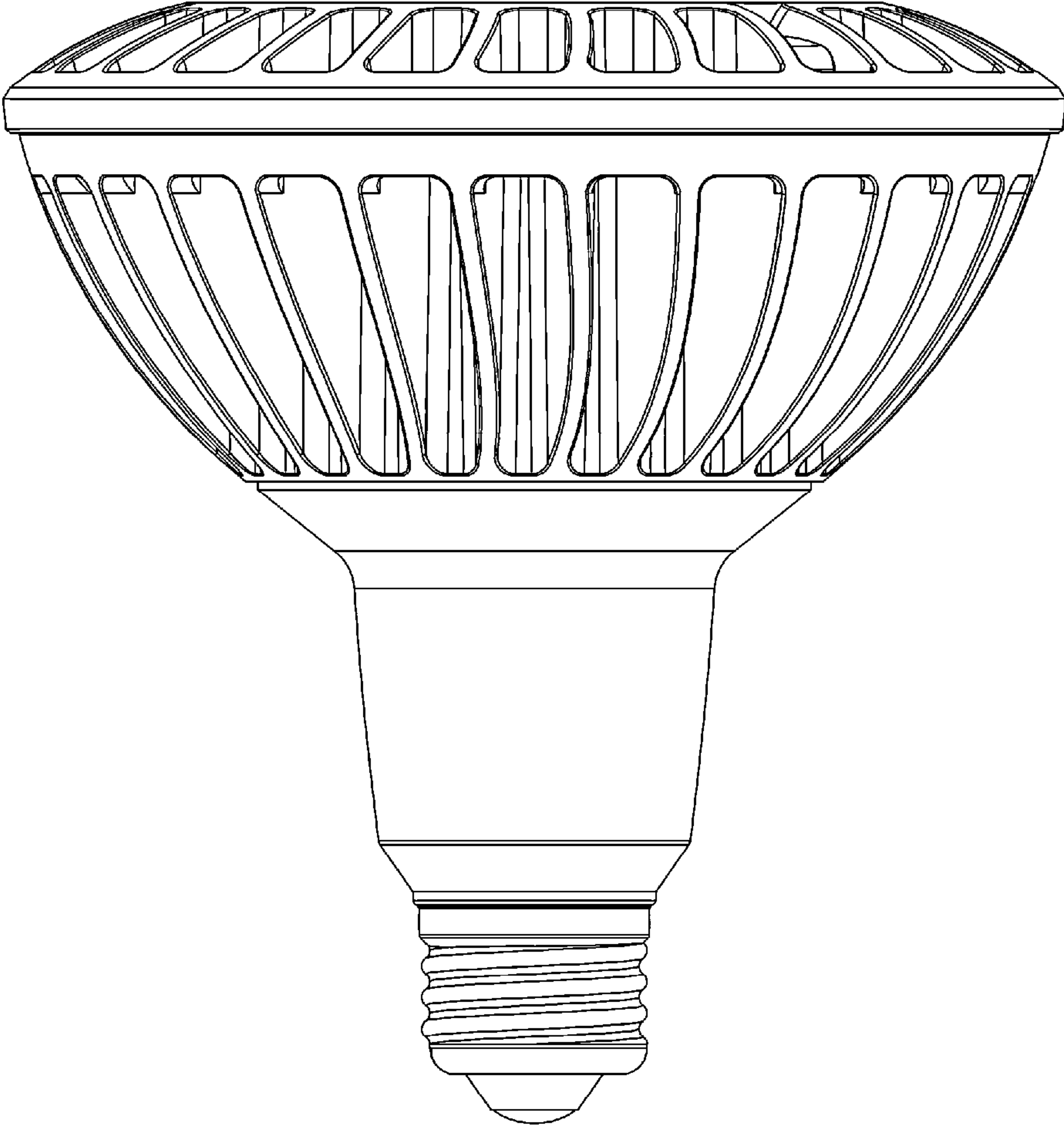


FIG. 6

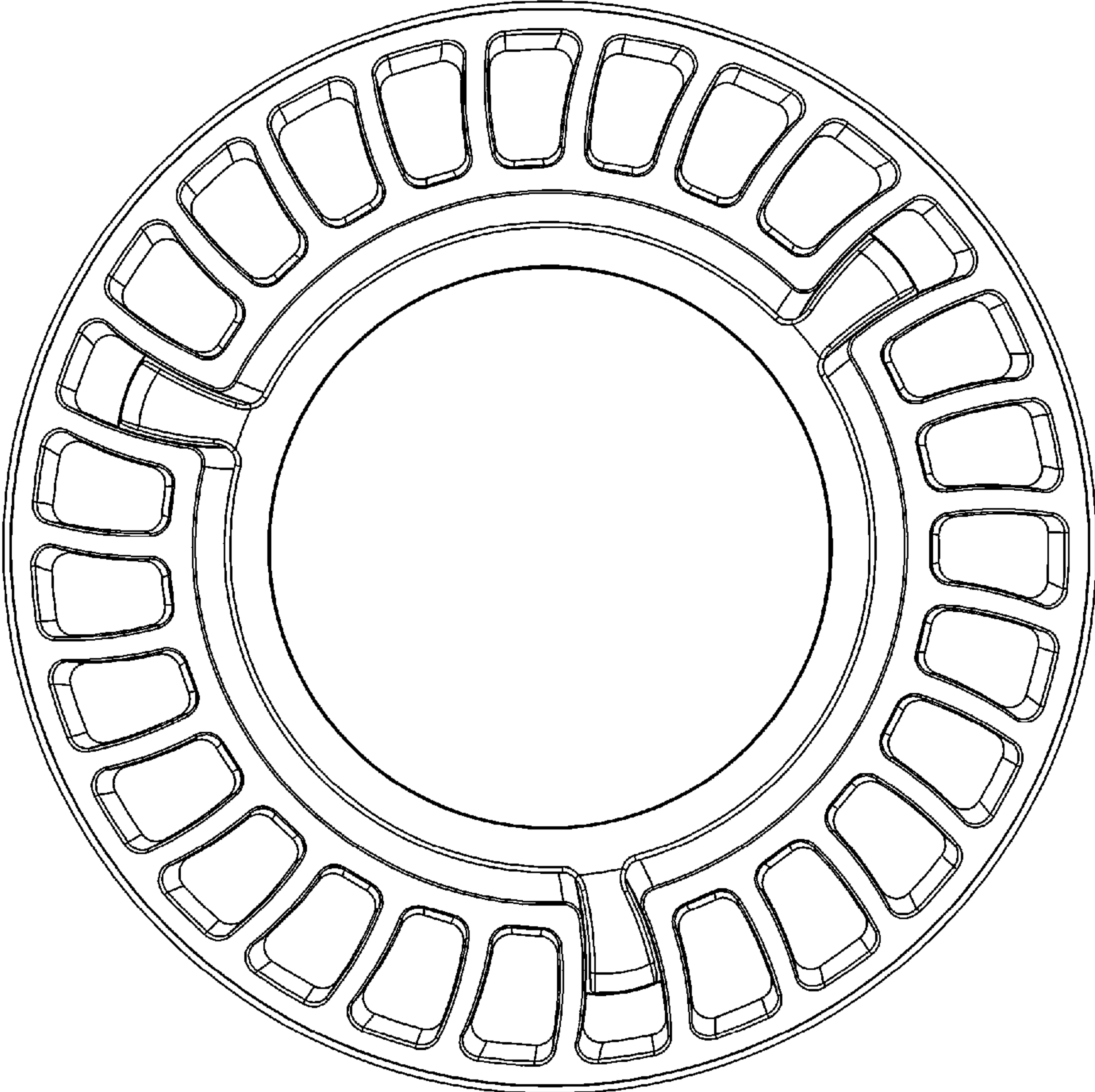


FIG. 7

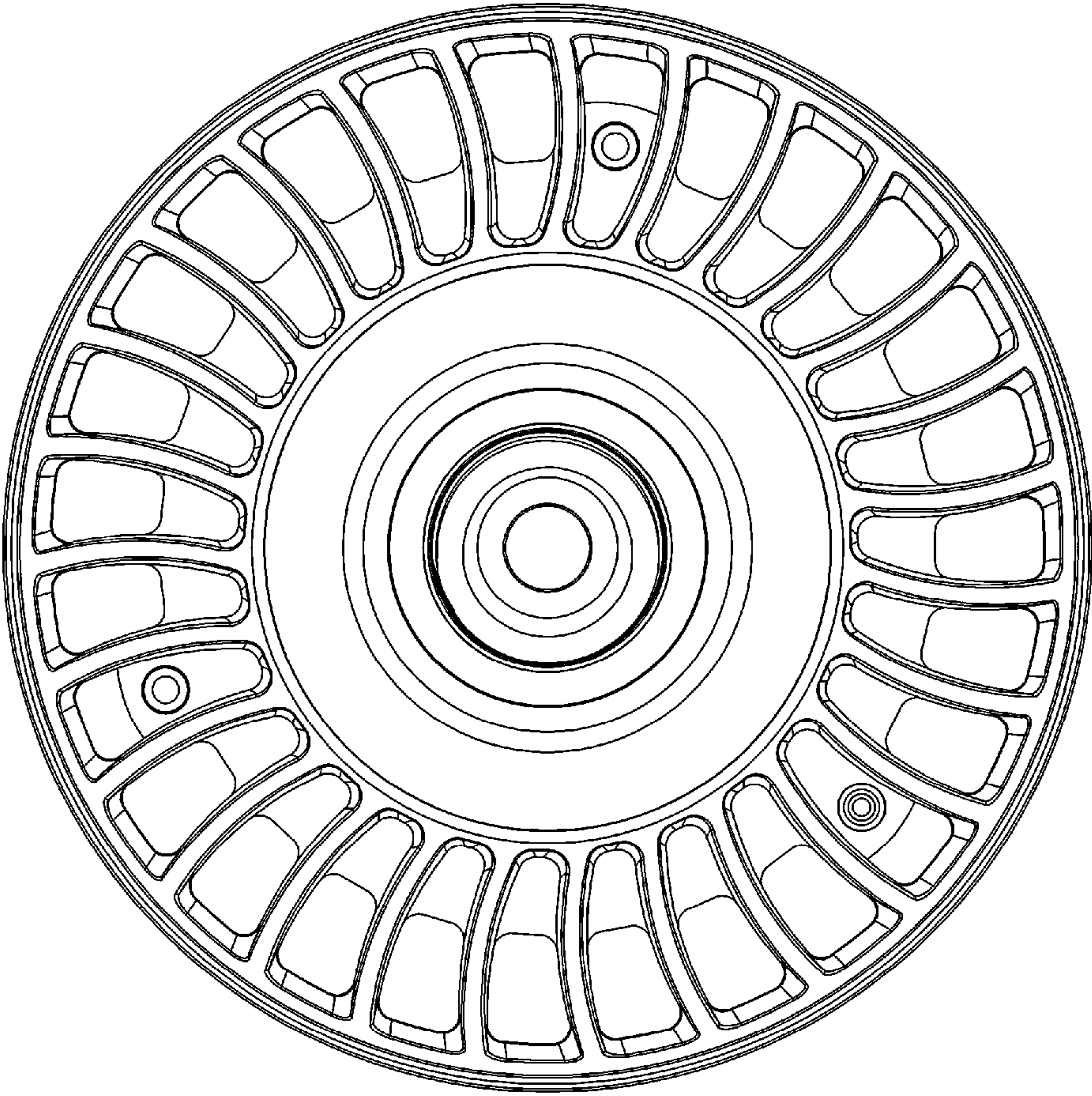


FIG. 8