



US00D691293S

(12) **United States Design Patent**
Lin et al.

(10) **Patent No.:** **US D691,293 S**
(45) **Date of Patent:** **** Oct. 8, 2013**

(54) **LED BULB**

(56) **References Cited**

(71) Applicant: **Advanced Optoelectronic Technology, Inc.**, Hsinchu Hsien (TW)

U.S. PATENT DOCUMENTS

(72) Inventors: **Chih-Yung Lin**, Hsinchu (TW);
Yue-Zhi Chen, Hsinchu (TW);
Chia-Chen Chang, Hsinchu (TW)

D508,575	S	*	8/2005	Buschmann et al.	D26/2
D528,227	S	*	9/2006	Chou et al.	D26/2
D531,741	S	*	11/2006	Takahashi	D26/2
D534,665	S	*	1/2007	Egawa et al.	D26/2
D538,950	S	*	3/2007	Maxik	D26/2
D538,953	S	*	3/2007	Mama	D26/2
D613,887	S	*	4/2010	Lee et al.	D26/2

(73) Assignee: **Advanced Optoelectronic Technology, Inc.**, Hsinchu Hsien (TW)

* cited by examiner

(**) Term: **14 Years**

Primary Examiner — Marcus Jackson

(21) Appl. No.: **29/444,686**

(74) *Attorney, Agent, or Firm* — Altis Law Group, Inc.

(22) Filed: **Feb. 1, 2013**

(57) **CLAIM**

The ornamental design for an LED bulb, as shown.

(30) **Foreign Application Priority Data**

DESCRIPTION

Jan. 19, 2013 (CN) 2013 3 0015283

FIG. 1 is a front, perspective view of an LED bulb showing our new design.

(51) **LOC (9) Cl.** **26-04**

FIG. 2 is a front elevational view thereof.

(52) **U.S. Cl.**
USPC **D26/2**

FIG. 3 is a rear elevational view thereof.

(58) **Field of Classification Search**
USPC D26/1-4; 313/313, 315, 316, 317,
313/318, 493; 315/52, 53, 56, 57, 58

FIG. 4 is a left-side, elevational view thereof.

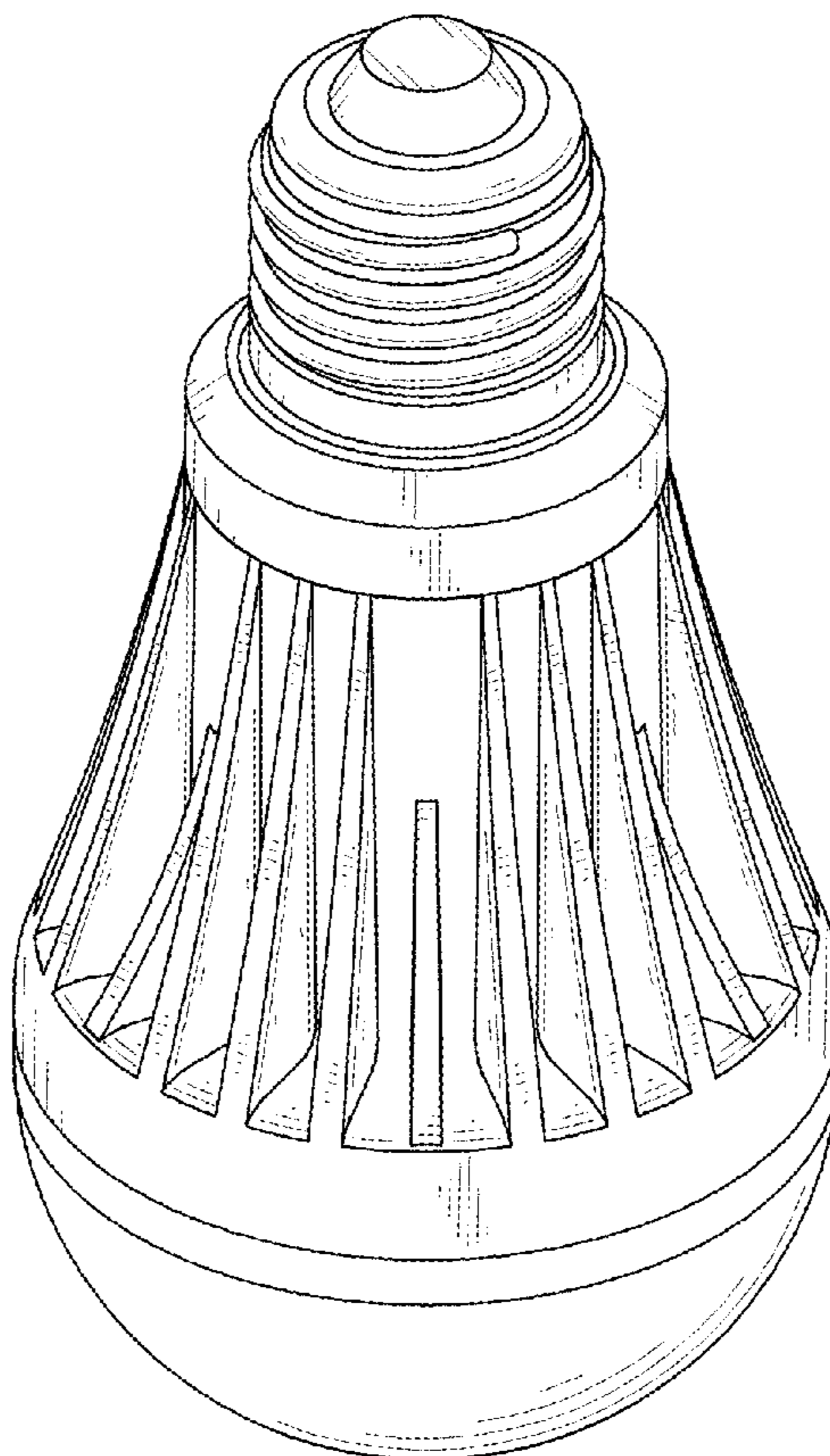
FIG. 5 is a right-side, elevational view thereof.

FIG. 6 is a top plan view thereof; and,

FIG. 7 is a bottom plan view thereof.

See application file for complete search history.

1 Claim, 7 Drawing Sheets



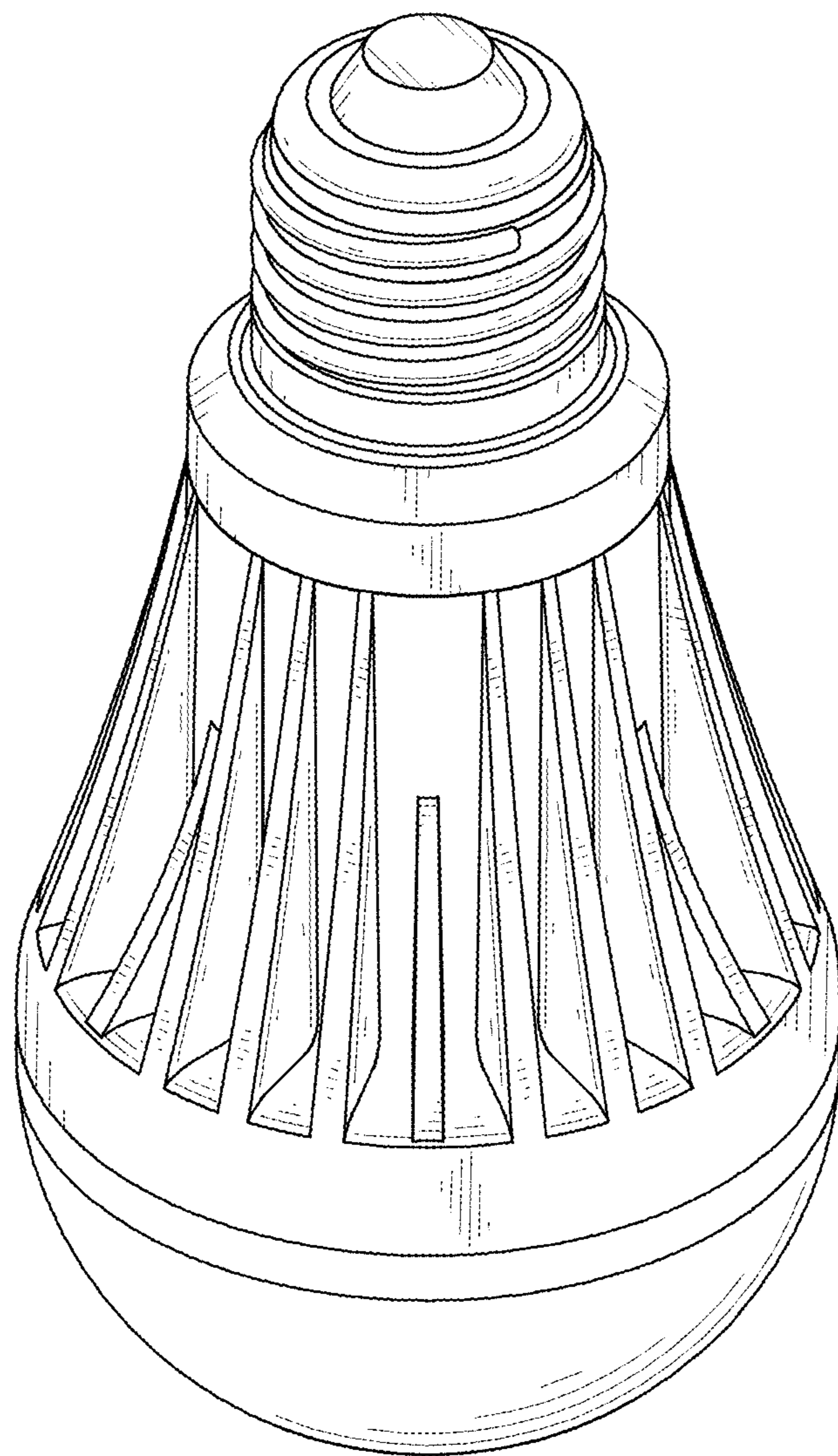


FIG. 1

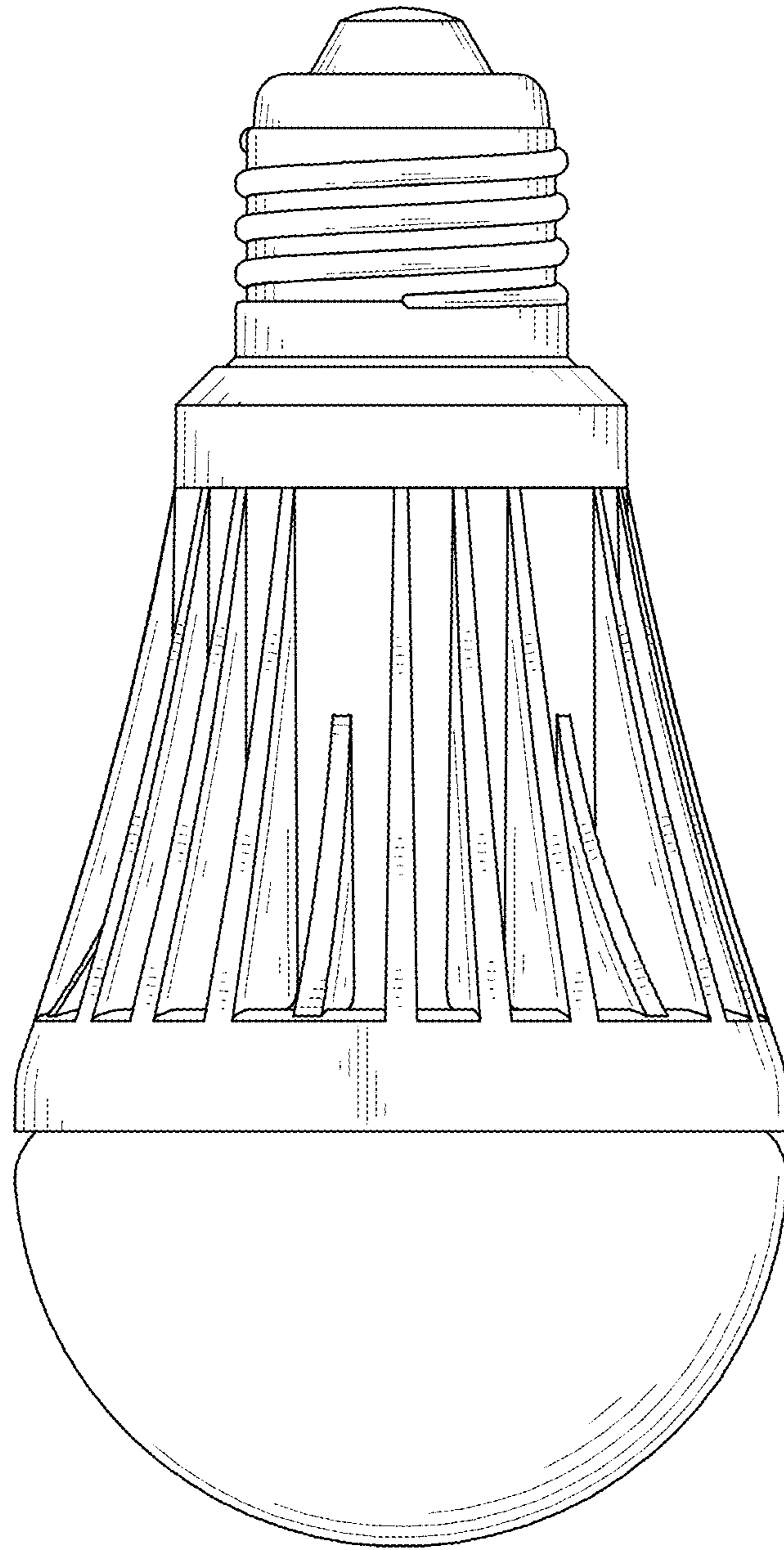


FIG. 2

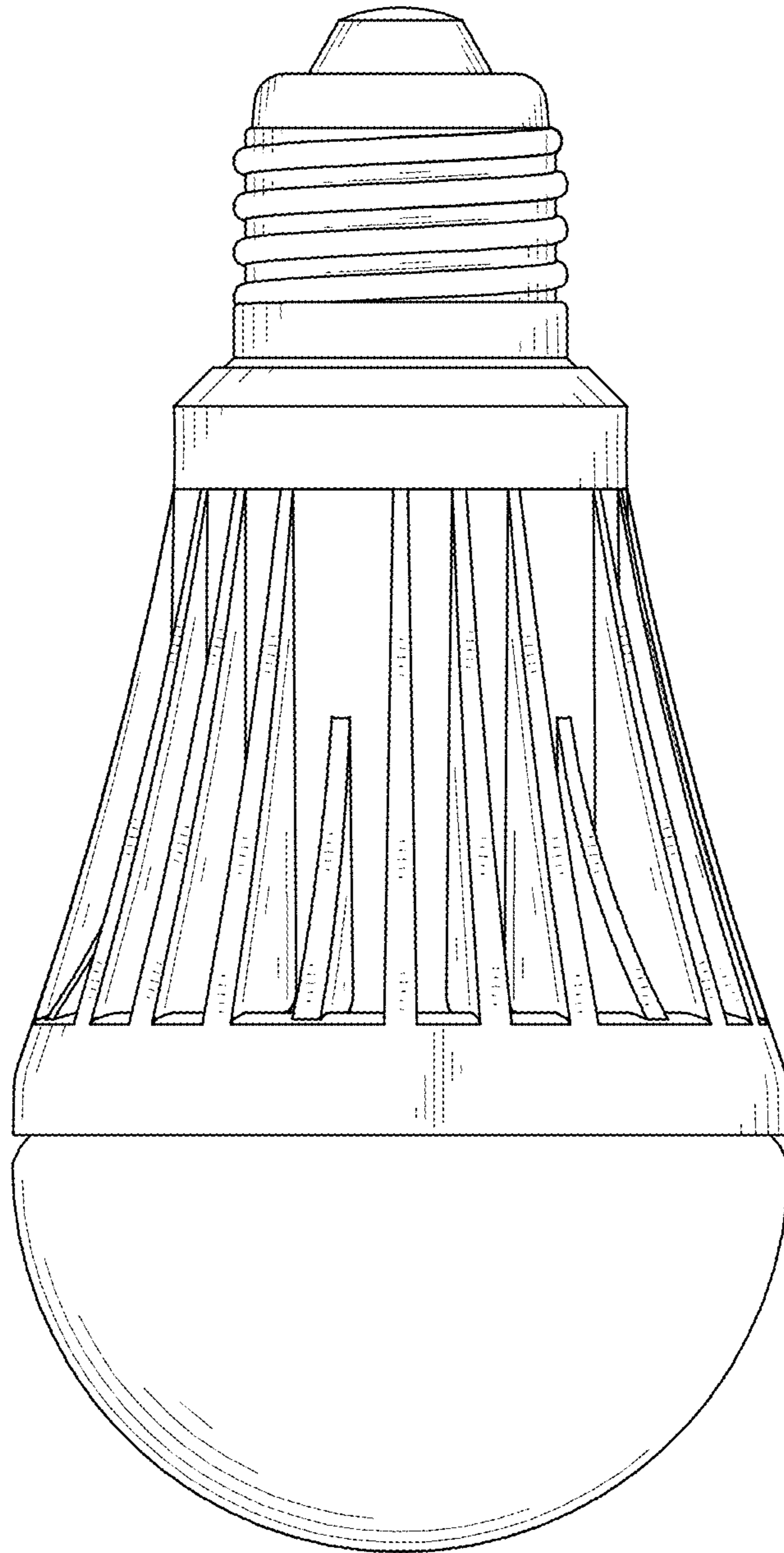


FIG. 3

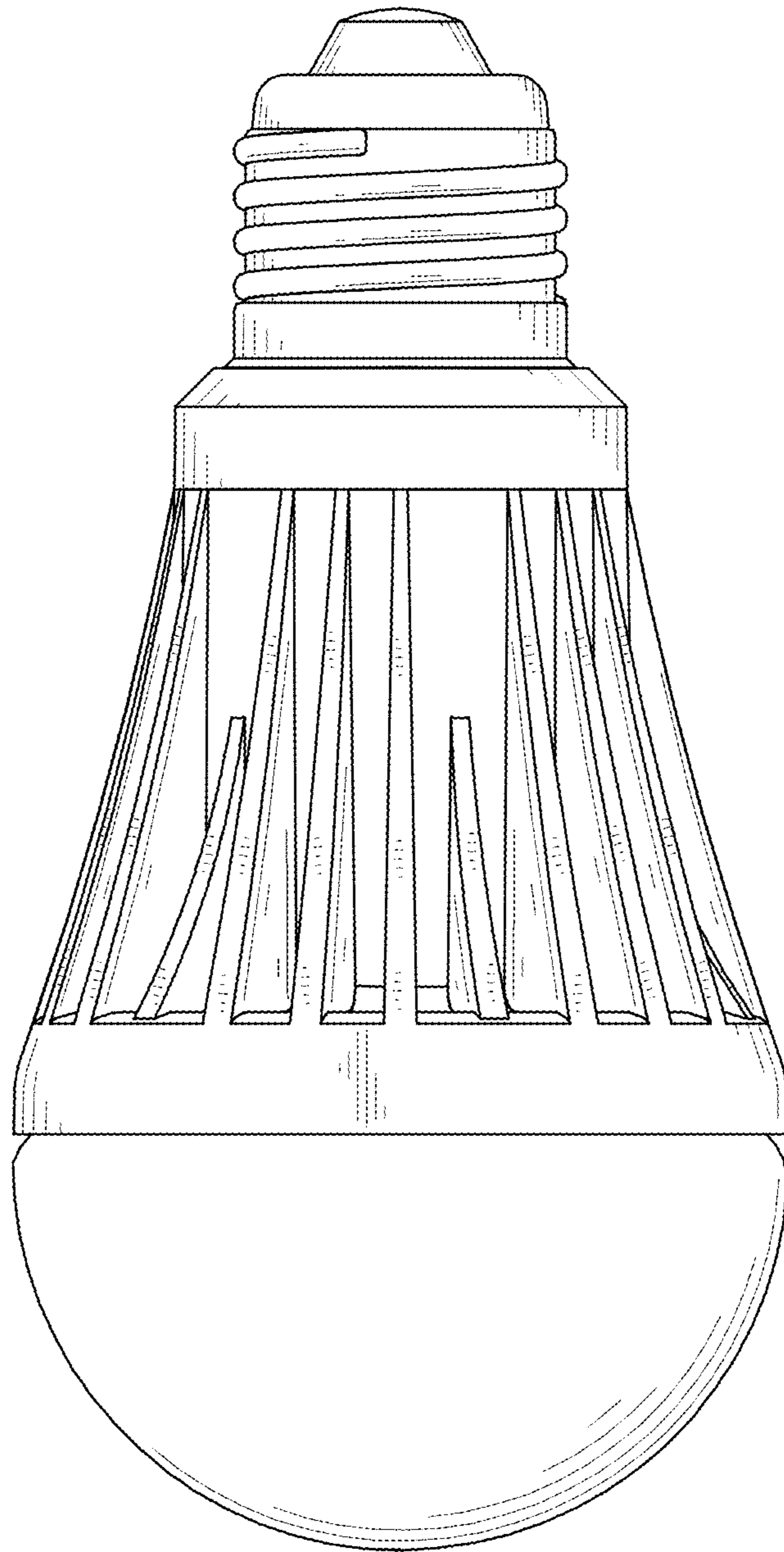


FIG. 4

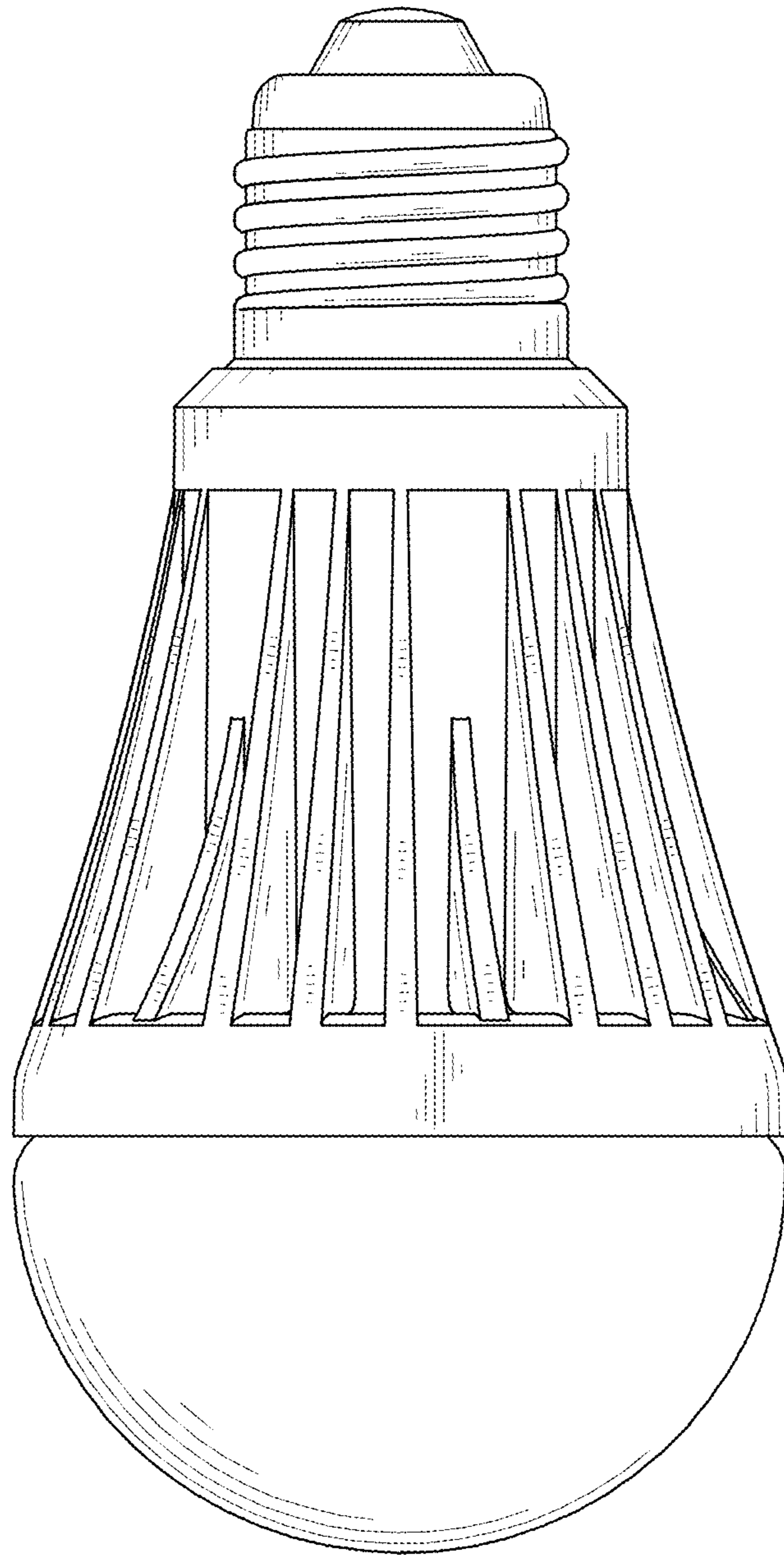


FIG. 5

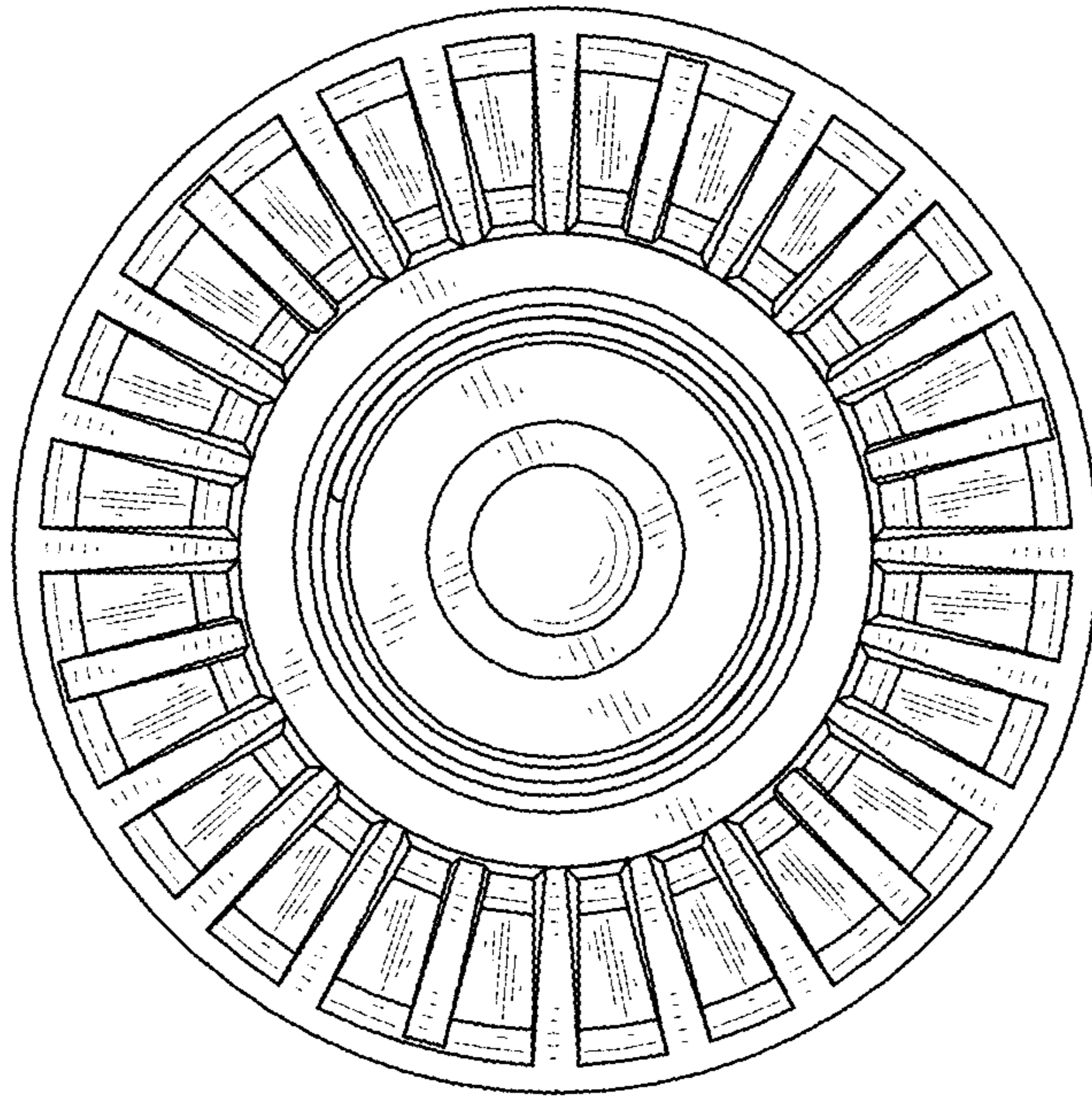


FIG. 6

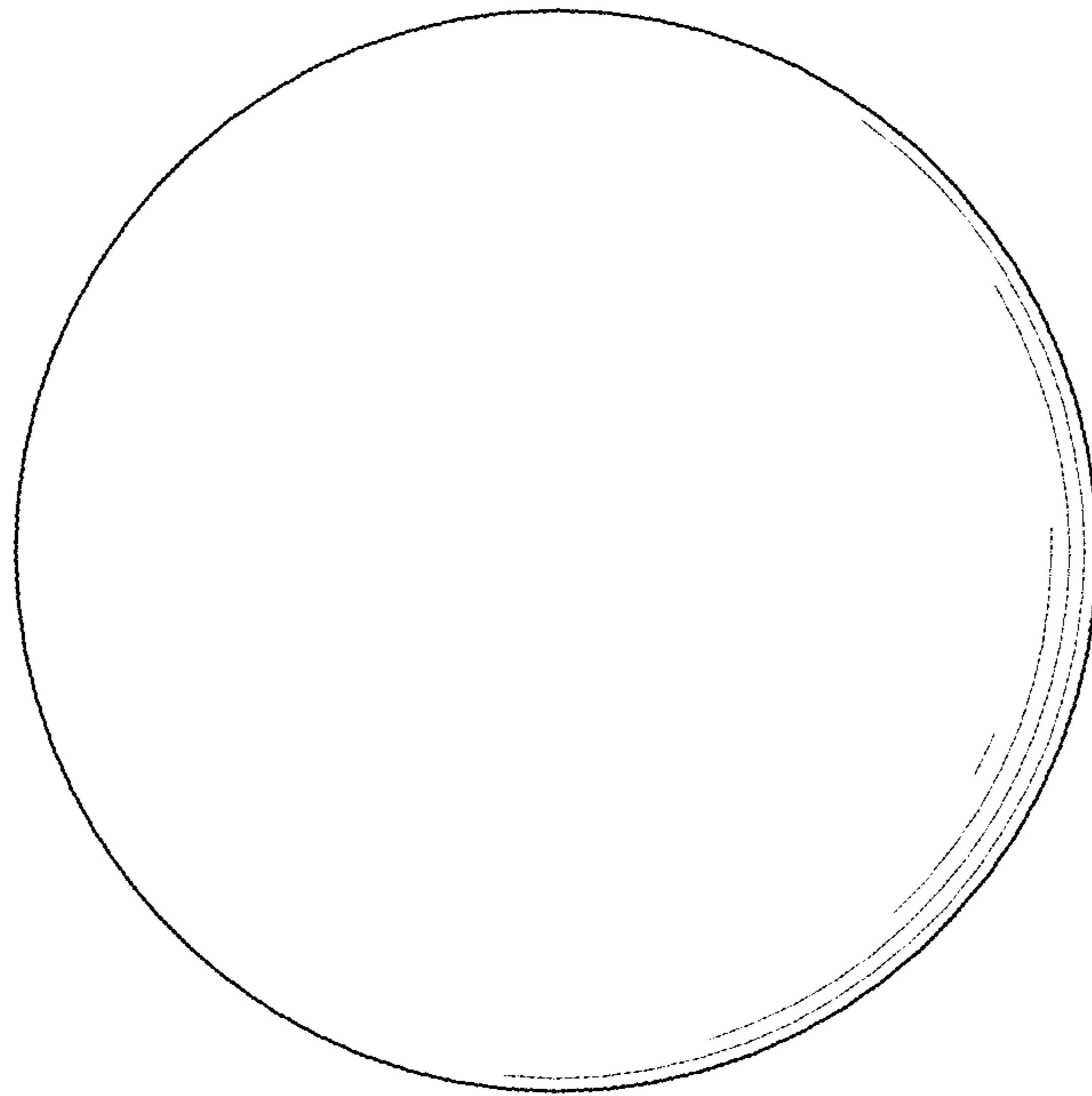


FIG. 7