



US00D691291S

(12) **United States Design Patent**  
**Qiu**

(10) **Patent No.:** **US D691,291 S**

(45) **Date of Patent:** **\*\* Oct. 8, 2013**

(54) **BULB**

(71) Applicant: **Ningbo Futai Electric Co., Ltd.**, Ningbo (CN)

(72) Inventor: **Fujun Qiu**, Ningbo (CN)

(73) Assignee: **Ningbo Futai Electric Limited**, Ningbo, Zhejiang Province (CN)

(\*\*) Term: **14 Years**

(21) Appl. No.: **29/437,487**

(22) Filed: **Nov. 16, 2012**

(30) **Foreign Application Priority Data**

May 18, 2012 (CN) ..... 2012 3 0181068

(51) **LOC (9) Cl.** ..... **26-04**

(52) **U.S. Cl.**  
USPC ..... **D26/2**

(58) **Field of Classification Search**  
USPC ..... D26/1-4; 313/313, 315, 316, 317, 313/318; 315/52, 53, 56, 57, 58

See application file for complete search history.

(56) **References Cited**

U.S. PATENT DOCUMENTS

D508,575	S	*	8/2005	Buschmann et al.	.....	D26/2
D528,227	S	*	9/2006	Chou et al.	.....	D26/2
D531,741	S	*	11/2006	Takahashi	.....	D26/2
D534,665	S	*	1/2007	Egawa et al.	.....	D26/2
D538,953	S	*	3/2007	Mama	.....	D26/2
D615,220	S	*	5/2010	Crane et al.	.....	D26/2
D617,915	S	*	6/2010	Wada et al.	.....	D26/2
D634,031	S	*	3/2011	de Visser et al.	.....	D26/2
D634,451	S	*	3/2011	de Visser	.....	D26/2
D651,327	S	*	12/2011	Hsiao et al.	.....	D26/2

\* cited by examiner

*Primary Examiner* — Marcus Jackson

(74) *Attorney, Agent, or Firm* — Jacobson Holman PLLC; Jiwen Chen

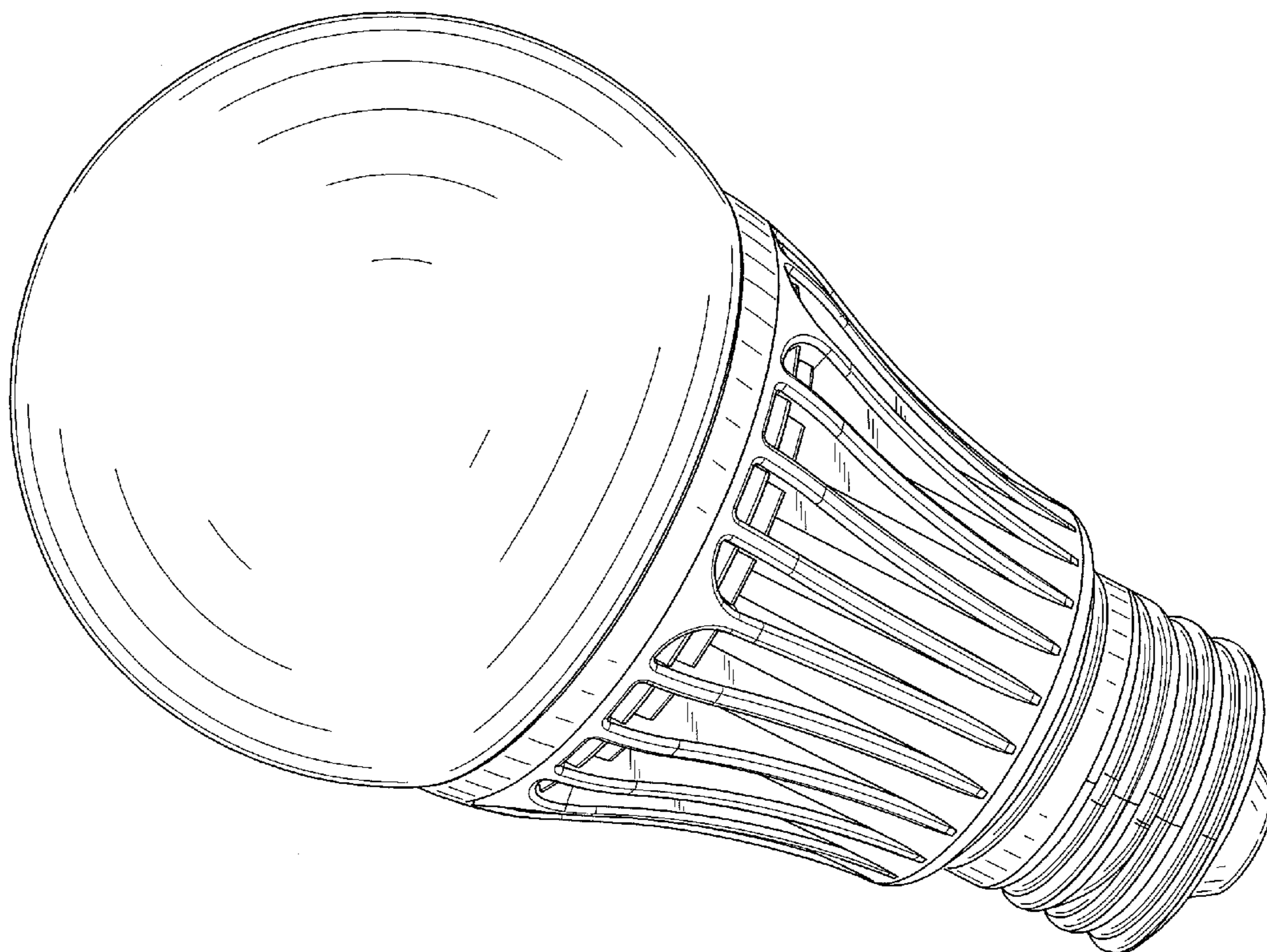
(57) **CLAIM**

I claim the ornamental design for the bulb, as shown and described.

**DESCRIPTION**

FIG. 1 is a front elevational view of the bulb showing the design;  
FIG. 2 is a rear elevational view thereof;  
FIG. 3 is a left side view thereof;  
FIG. 4 is a right side view thereof;  
FIG. 5 is a bottom plan view thereof;  
FIG. 6 is a top plan view thereof; and,  
FIG. 7 is a perspective view thereof.

**1 Claim, 7 Drawing Sheets**



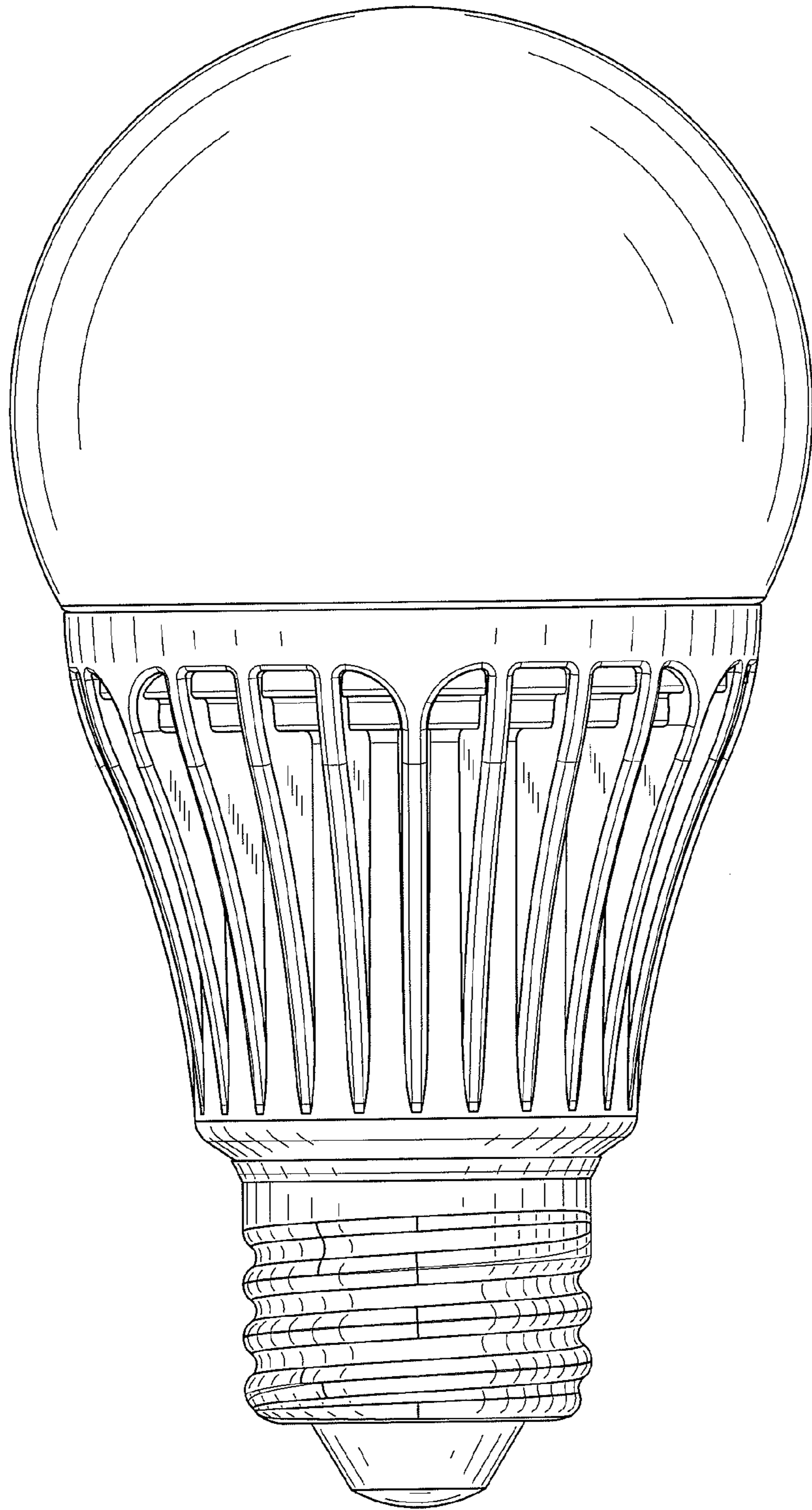


FIG. 1

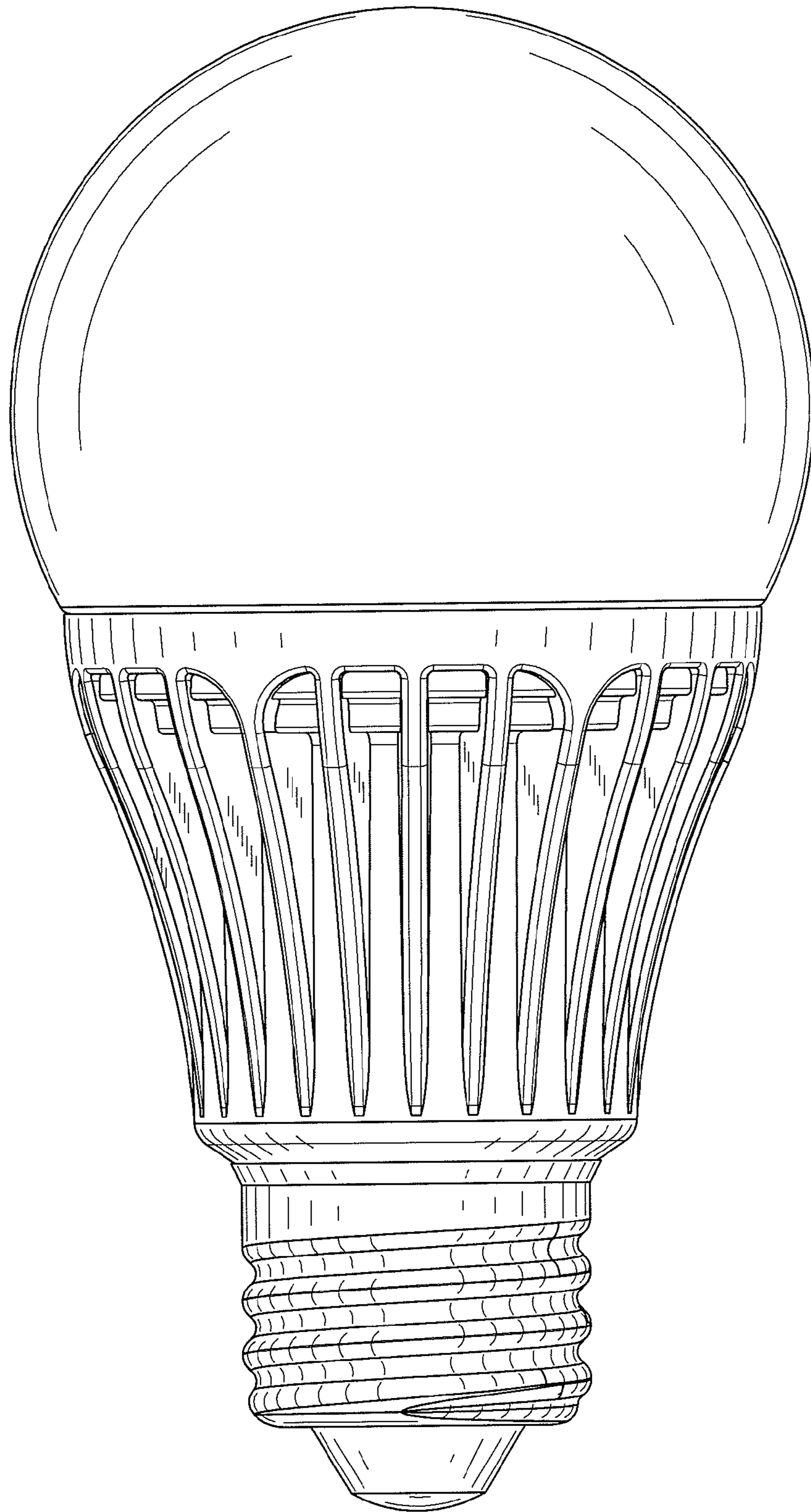


FIG. 2

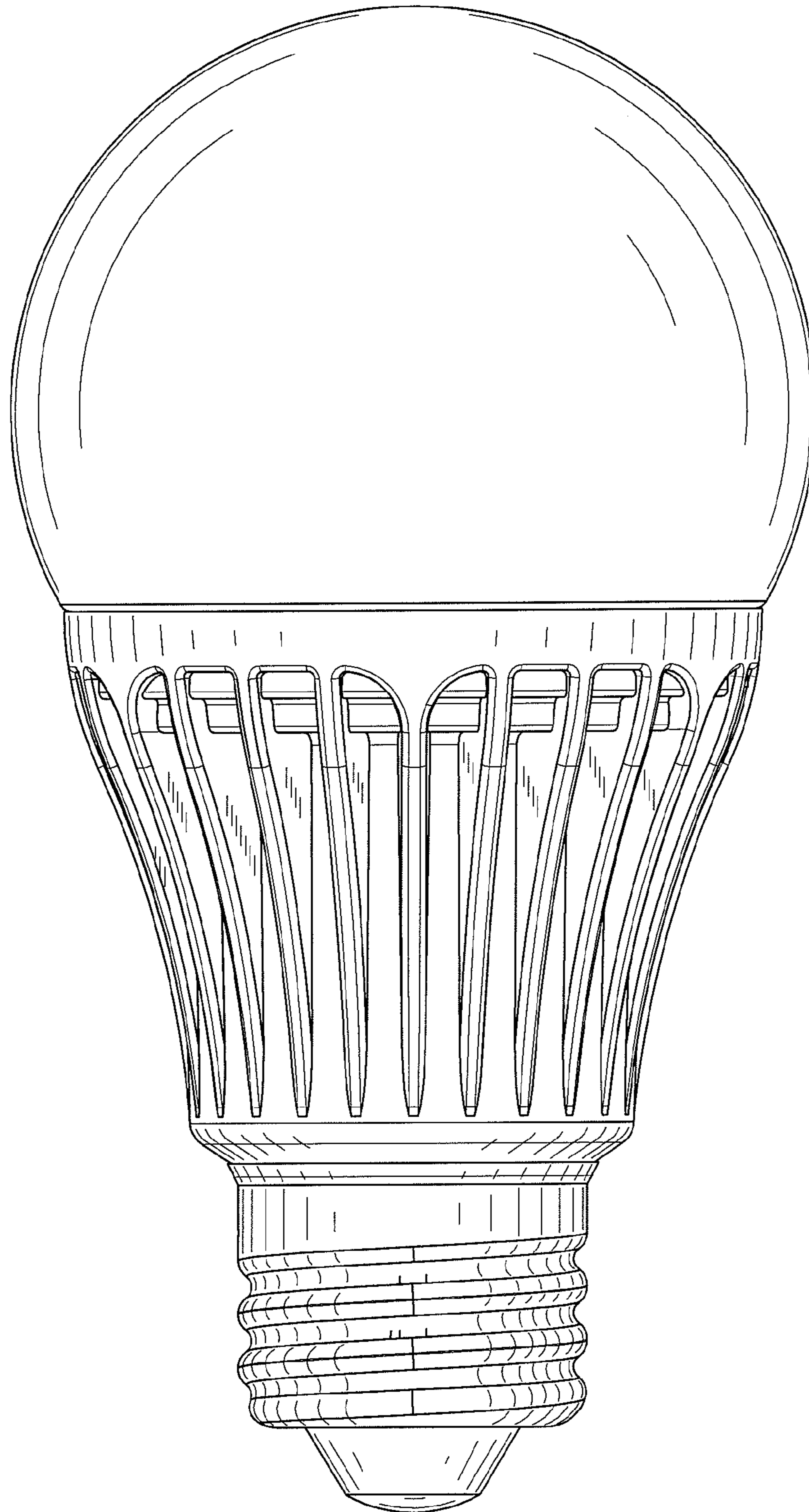


FIG. 3

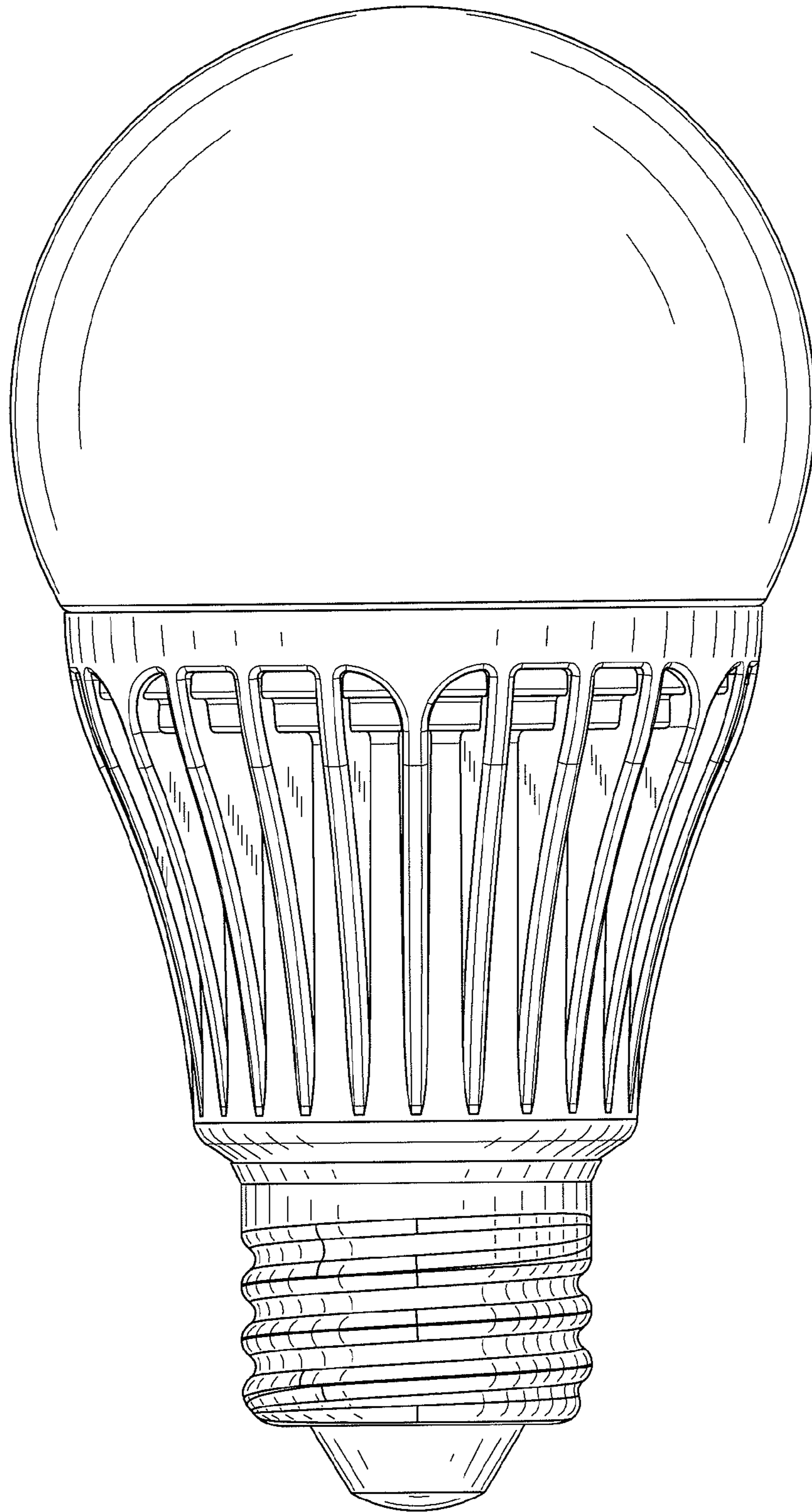


FIG. 4

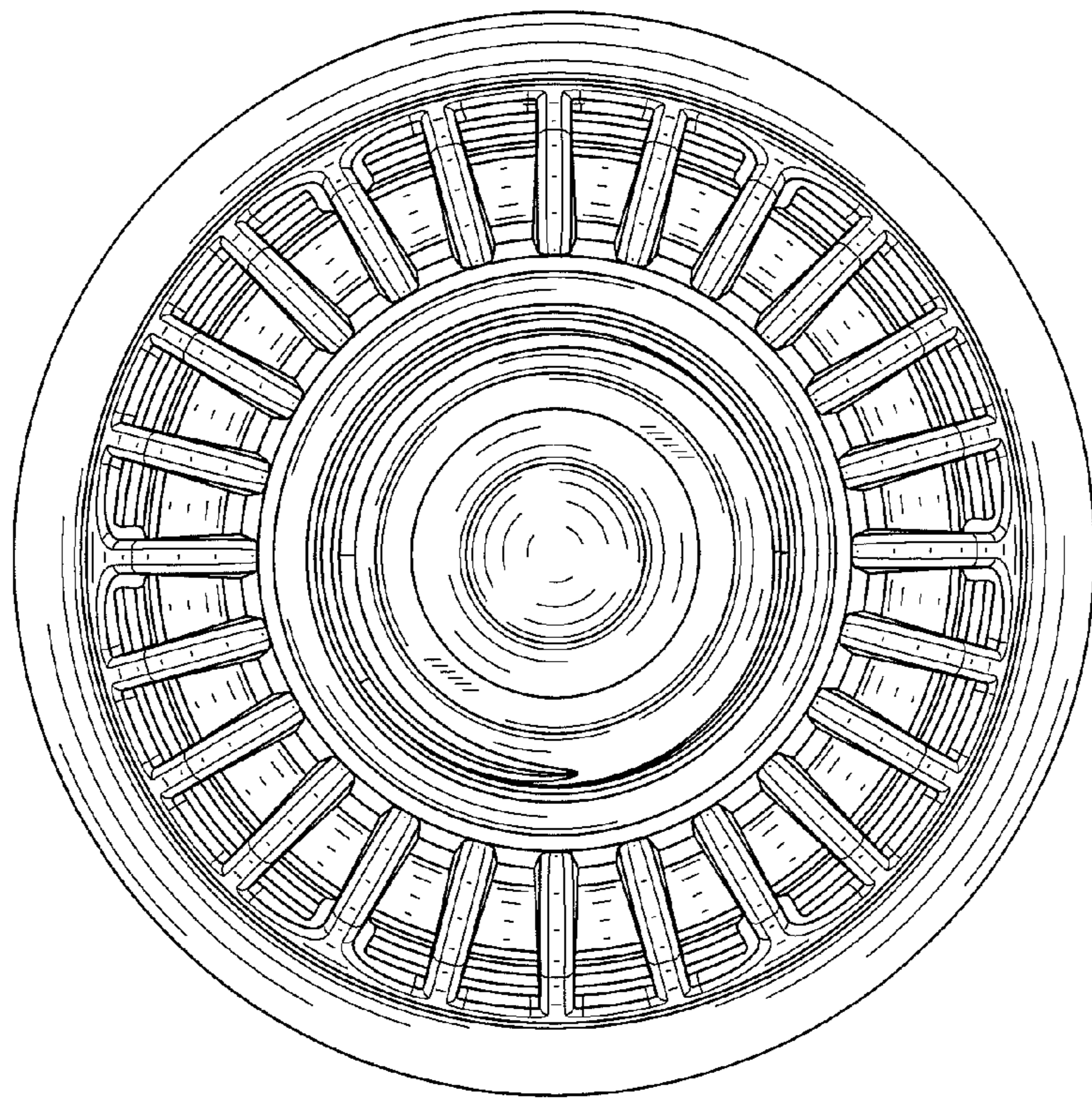


FIG. 5

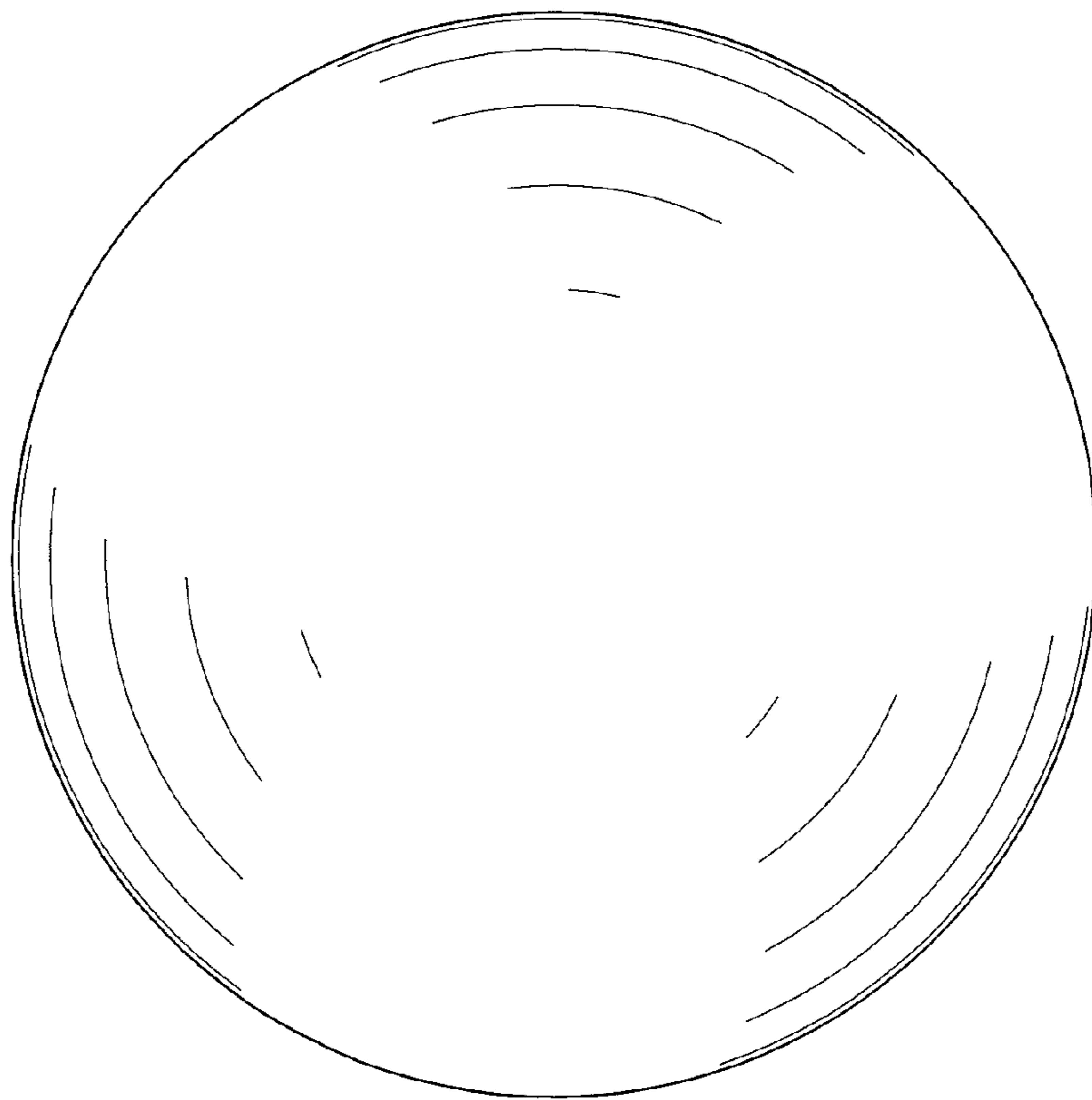


FIG. 6

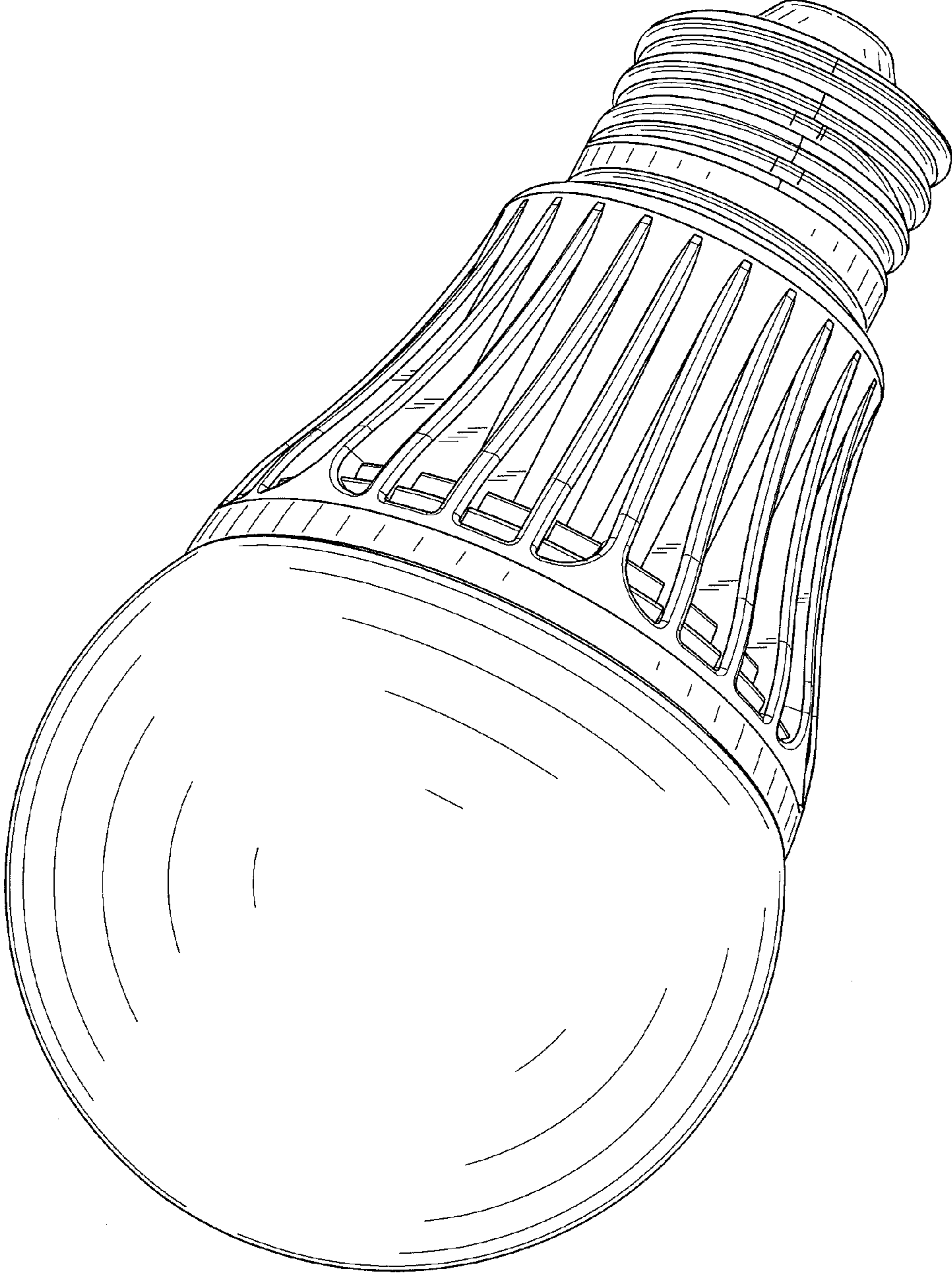


FIG. 7