

US00D691284S

(12) **United States Design Patent**
Johnson

(10) **Patent No.:** **US D691,284 S**

(45) **Date of Patent:** **** Oct. 8, 2013**

(54) **PORTABLE PRIVACY UNIT**

(76) **Inventor:** **Dale R. Johnson**, York, PA (US)

(**) **Term:** **14 Years**

(21) **Appl. No.:** **29/395,608**

(22) **Filed:** **Feb. 28, 2012**

(51) **LOC (9) Cl.** **25-03**

(52) **U.S. Cl.**
USPC **D25/16**

(58) **Field of Classification Search**
USPC D25/1, 16; D23/245, 283; D6/335,
D6/455; 4/432, 460, 476-477, 484
See application file for complete search history.

(56) **References Cited**

U.S. PATENT DOCUMENTS

1,538,296	A	5/1925	McDonald	
1,538,311	A	5/1925	Anticknap	
1,567,484	A *	12/1925	Beard	248/439
1,574,339	A	2/1926	Bush	
1,575,131	A *	3/1926	Schumacher	4/460
3,203,007	A *	8/1965	Olson	4/484
D215,156	S *	9/1969	Johnson	D23/245
D218,157	S *	7/1970	Johnson	D25/16
D256,530	S *	8/1980	Johnson	D6/455
5,641,197	A *	6/1997	Springmann	297/188.11
5,671,487	A *	9/1997	Chen	4/477
5,937,452	A	8/1999	Brewer	
5,974,597	A *	11/1999	Conwell	4/432
6,666,221	B1 *	12/2003	Booth	135/16
6,718,565	B1 *	4/2004	Cruz	4/476

D571,111	S *	6/2008	Louis-Jean	D6/335
7,395,828	B1 *	7/2008	Pulley	135/16
7,849,866	B1 *	12/2010	Mangum	135/96
7,877,823	B2 *	2/2011	Hentschel	4/476
D648,837	S *	11/2011	Sulzer	D23/283
8,185,979	B2 *	5/2012	Hentschel	4/476

* cited by examiner

Primary Examiner — T. Chase Nelson

Assistant Examiner — Kathleen M Sims

(74) *Attorney, Agent, or Firm* — Paul R. Martin

(57) **CLAIM**

The ornamental design for a portable privacy unit, as shown and described.

DESCRIPTION

FIG. 1 is perspective view from above of the portable privacy unit of my new design.

FIG. 2 is an elevational view of the front of the privacy unit of my new design.

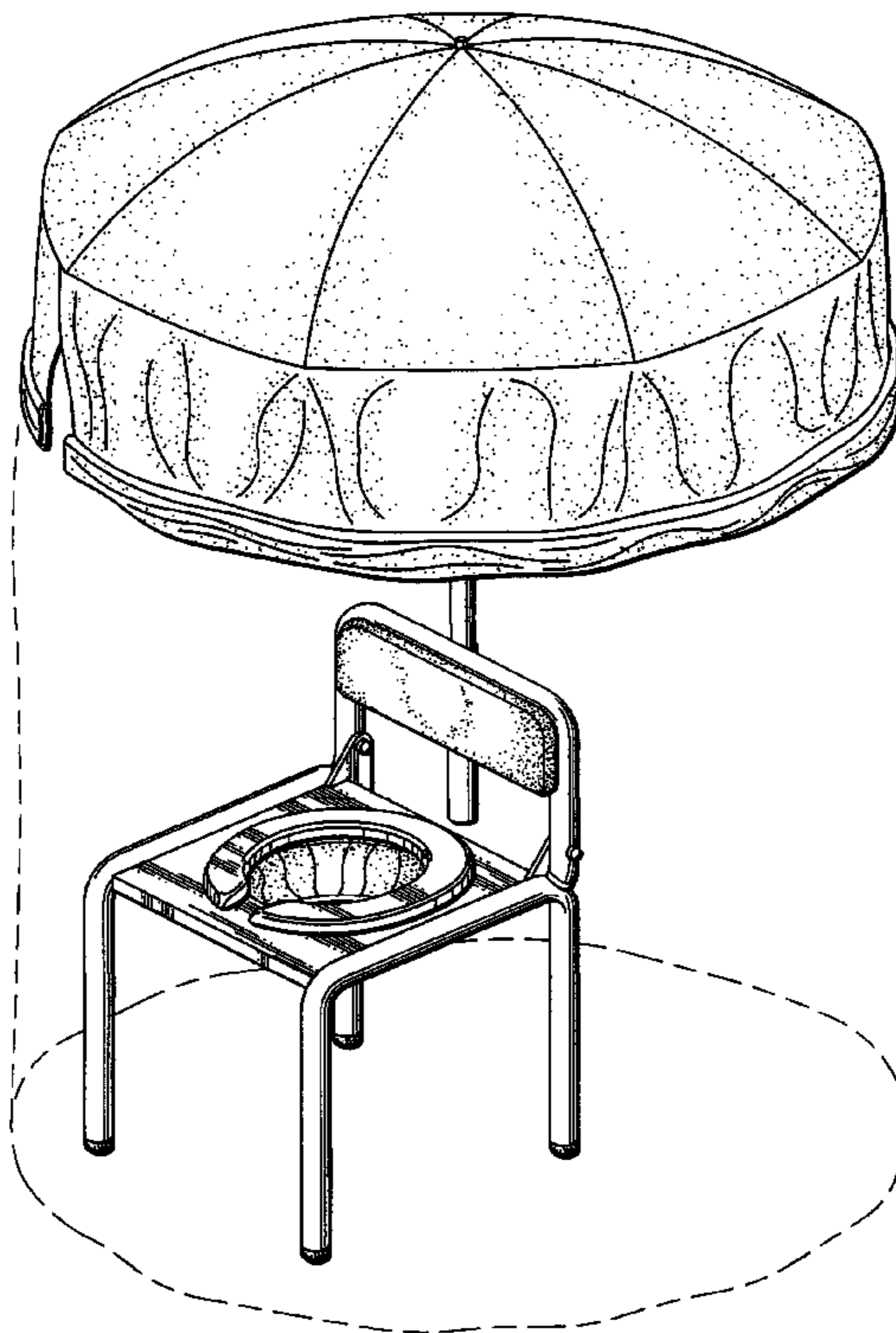
FIG. 3 is a right side elevational view of the privacy unit of my new design. The left side elevational view is a mirror image of the right side.

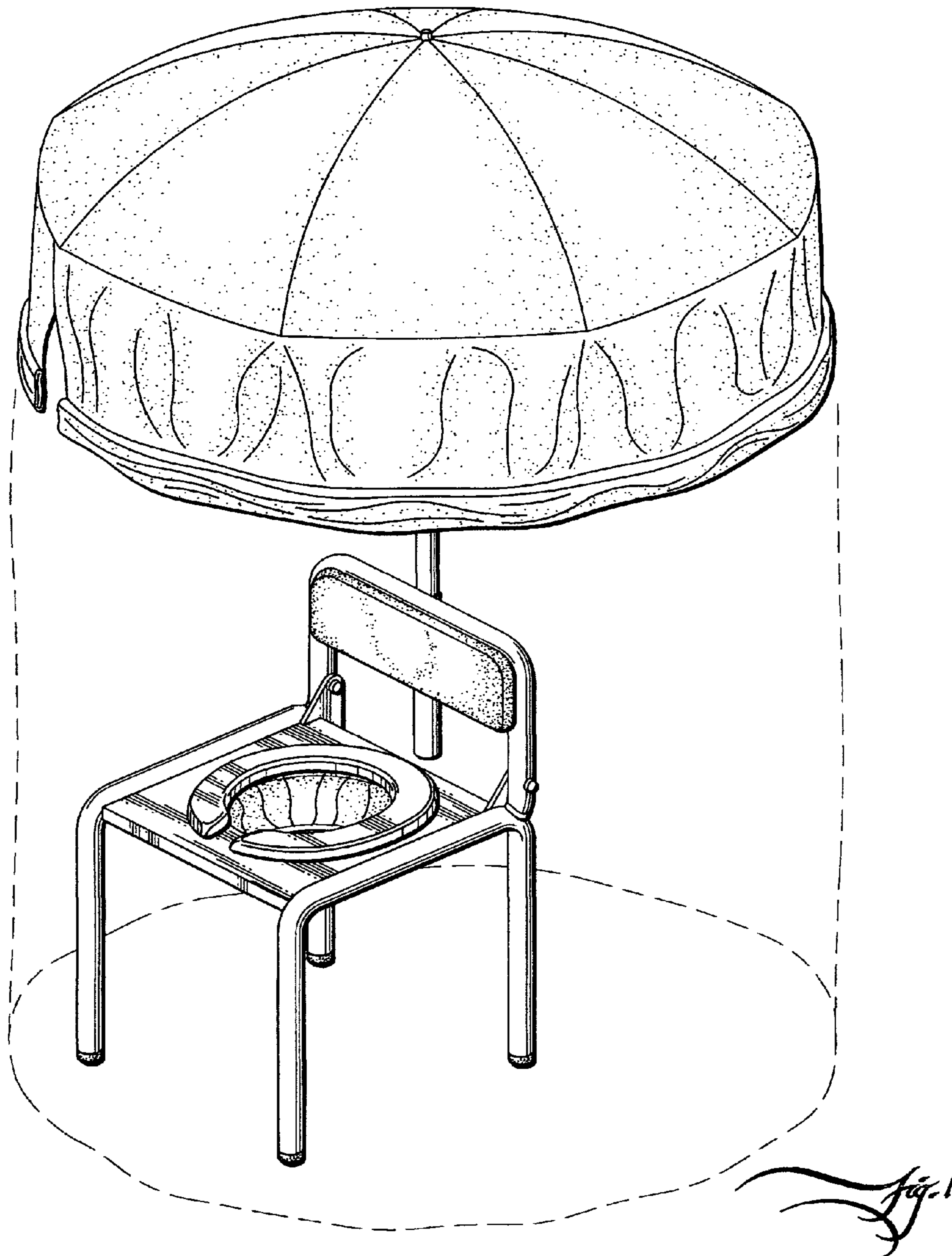
FIG. 4 is an elevational view of the back of the privacy unit of my new design.

FIG. 5 is a bottom plan view of the privacy unit of my new design; and,

FIG. 6 is a top plan view of the privacy unit of my new design. The broken line showing of details in FIGS. 1 is included for the purpose of showing environmental portions of the portable privacy unit and forms no part of the claimed design.

1 Claim, 6 Drawing Sheets





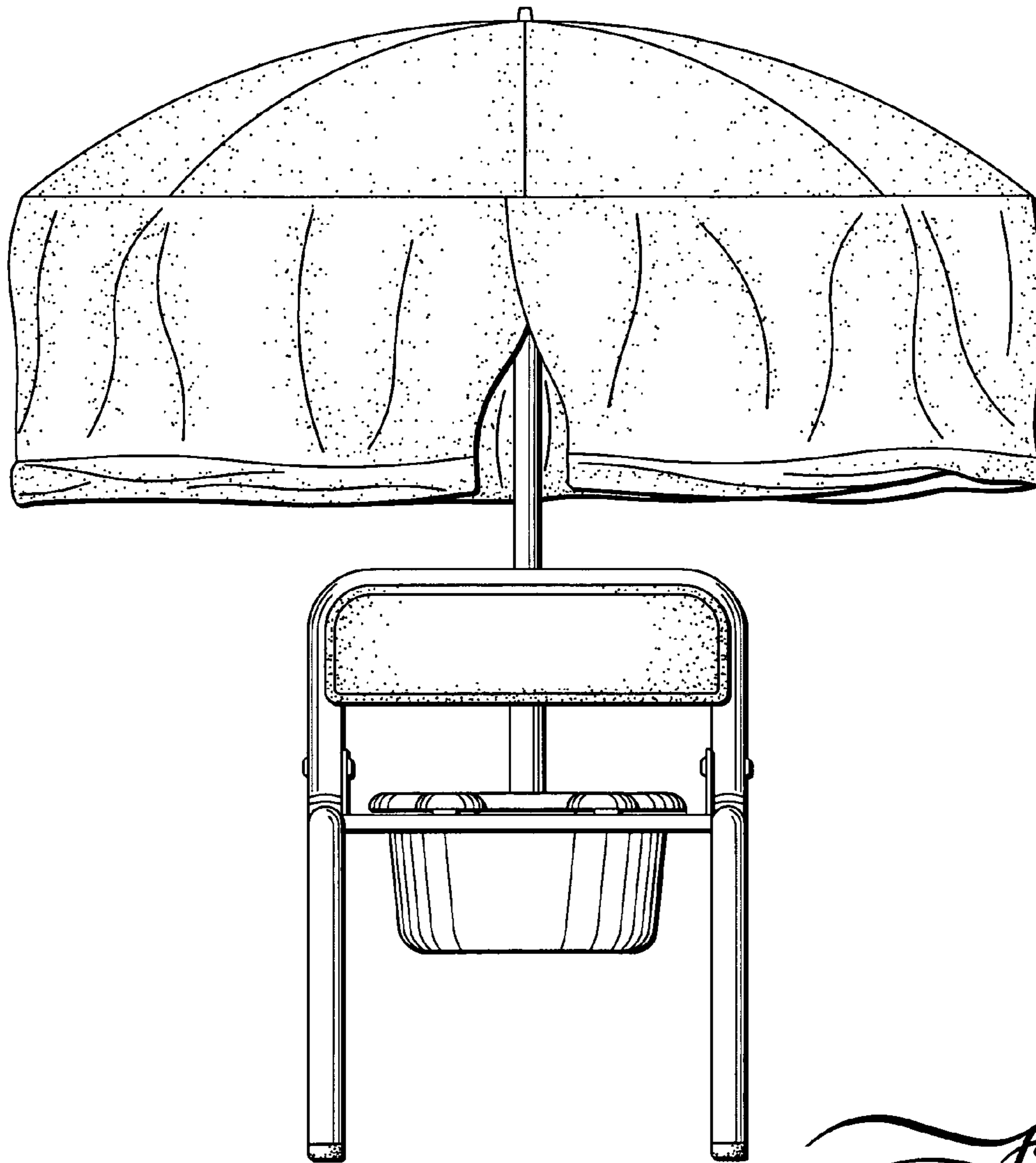


Fig. 2

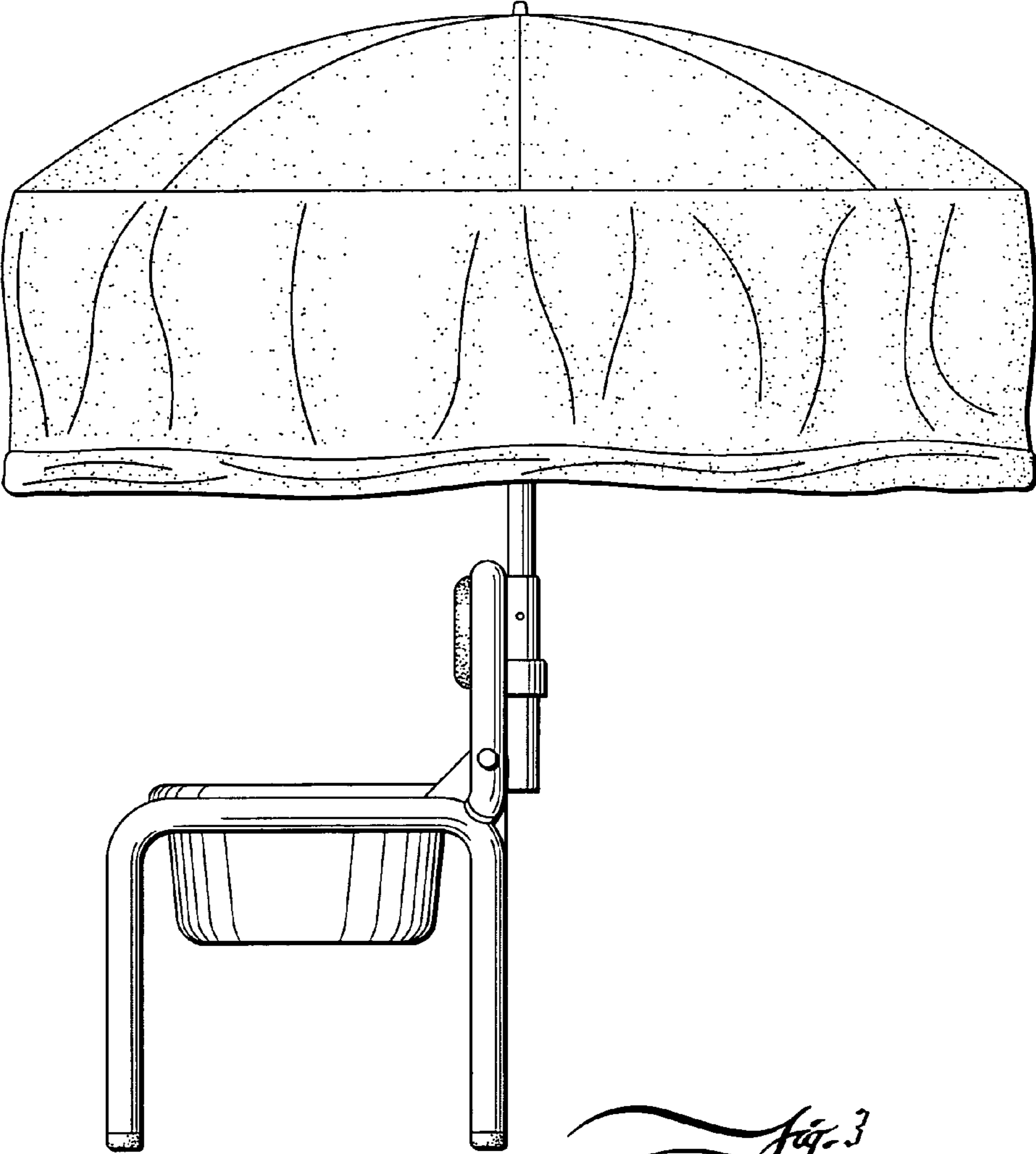


Fig. 3

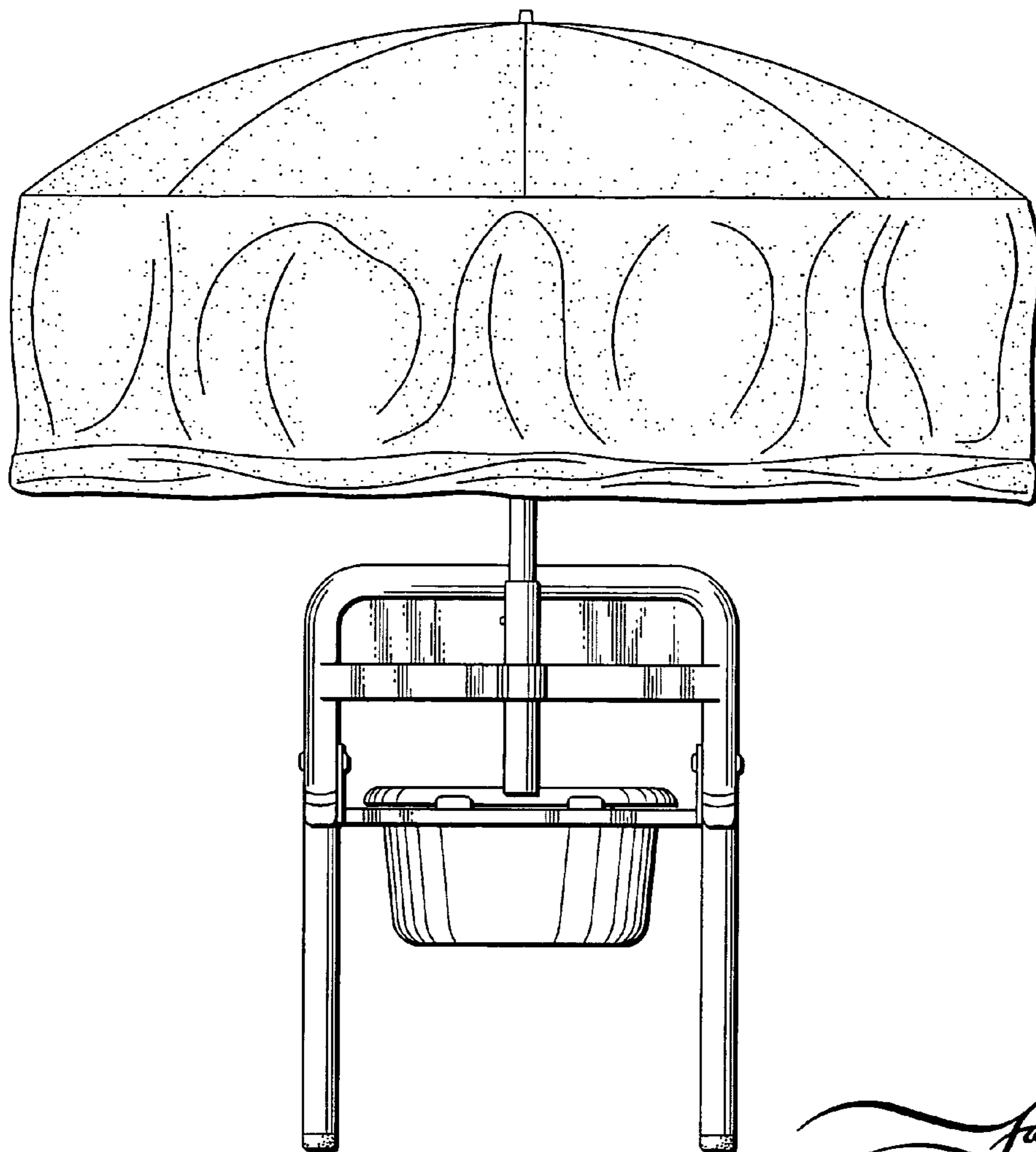


Fig. 4

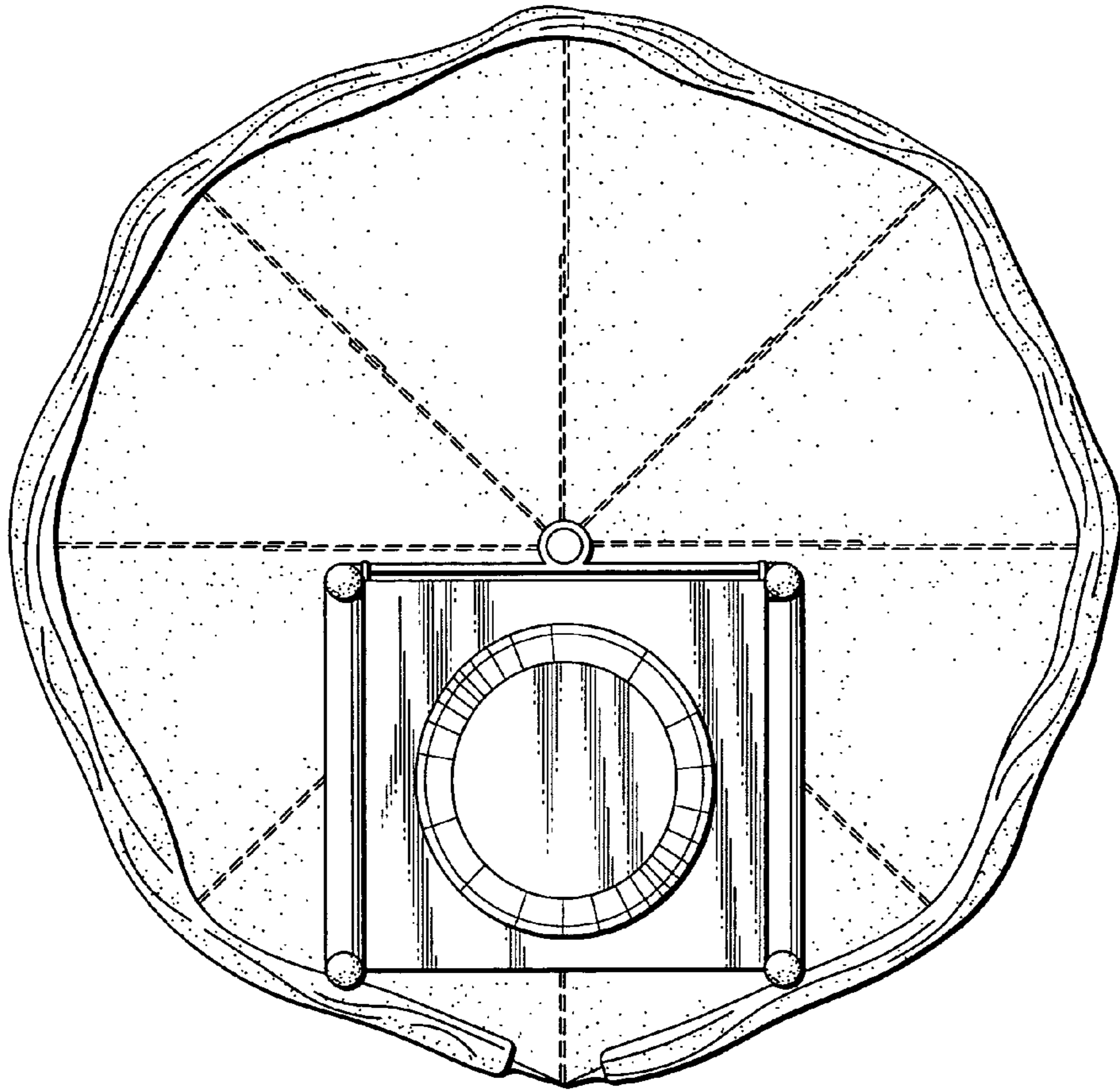


Fig. 5

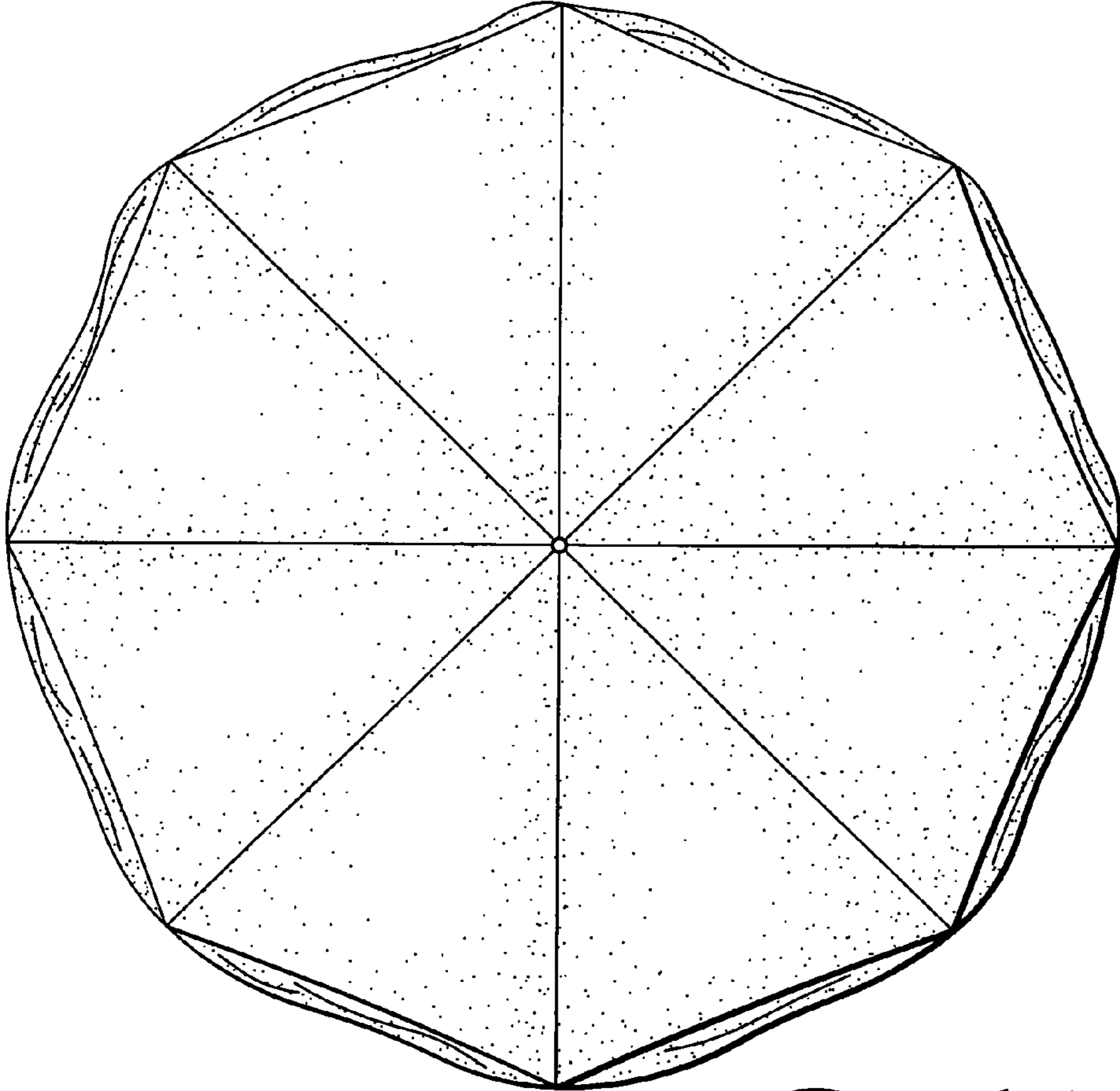


Fig. 6