

US00D691283S

(12) **United States Design Patent**
Lee et al.

(10) **Patent No.:** **US D691,283 S**
(45) **Date of Patent:** **** Oct. 8, 2013**

(54) **ENCLOSURE FOR DIAGNOSTIC ANALYZER**

(75) Inventors: **Youngsang Lee**, Elmhurst, NY (US);
Daniel LiCalzi, Brooklyn, NY (US)

(73) Assignee: **Siemens Healthcare Diagnostics**,
Tarrytown, NY (US)

(**) Term: **14 Years**

(21) Appl. No.: **29/423,676**

(22) Filed: **Jun. 4, 2012**

(51) **LOC (9) Cl.** **24-99**

(52) **U.S. Cl.**
USPC **D24/234**

(58) **Field of Classification Search**
USPC D6/481, 436, 402, 397, 396, 476;
D25/31, 16, 33, 1; D99/99; D18/4.4; 126/605;
52/36.1, 36.2, 79.1; D24/186, 185, 234,
D24/232; D10/81

See application file for complete search history.

(56) **References Cited**

U.S. PATENT DOCUMENTS

D242,923	S	*	1/1977	Dattner	D25/16
4,138,000	A	*	2/1979	Hartup	186/61
4,184,479	A	*	1/1980	Ratliff, Jr.	126/605
D258,783	S	*	4/1981	Frederick	D6/402
D282,203	S	*	1/1986	Leonard et al.	D24/234
D282,682	S	*	2/1986	Case et al.	D24/185
D282,683	S	*	2/1986	Case et al.	D24/185
D283,181	S	*	4/1986	McMillion	D6/402
D287,198	S	*	12/1986	Richins	D6/402
D287,624	S	*	1/1987	Landan et al.	D24/185
D289,113	S	*	4/1987	Woolf	D6/402
D298,854	S	*	12/1988	Kame et al.	D24/186
D330,195	S	*	10/1992	Savio	D18/4.4
D351,299	S	*	10/1994	Barrish	D6/481
D369,564	S	*	5/1996	Whitby et al.	D10/81

D373,830	S	*	9/1996	LaBarbera et al.	D24/232
D384,751	S	*	10/1997	Tagg	D25/16
D408,084	S	*	4/1999	Davis et al.	D25/16
D421,349	S	*	3/2000	Pierson	D6/436
D429,529	S	*	8/2000	Kimura et al.	D25/31
D431,932	S	*	10/2000	Dewitt	D6/402
6,598,514	B2	*	7/2003	Leggi	99/339
D488,666	S	*	4/2004	Mobley et al.	D7/339
D545,450	S	*	6/2007	Whalen	D25/16
D559,007	S	*	1/2008	Ruffing et al.	D6/396
D562,584	S	*	2/2008	Mauleon et al.	D6/397
D580,678	S	*	11/2008	Ruffing et al.	D6/396
D586,579	S	*	2/2009	Hunayama et al.	D6/402

* cited by examiner

Primary Examiner — Philip S Hyder
Assistant Examiner — Sydney Buffalow

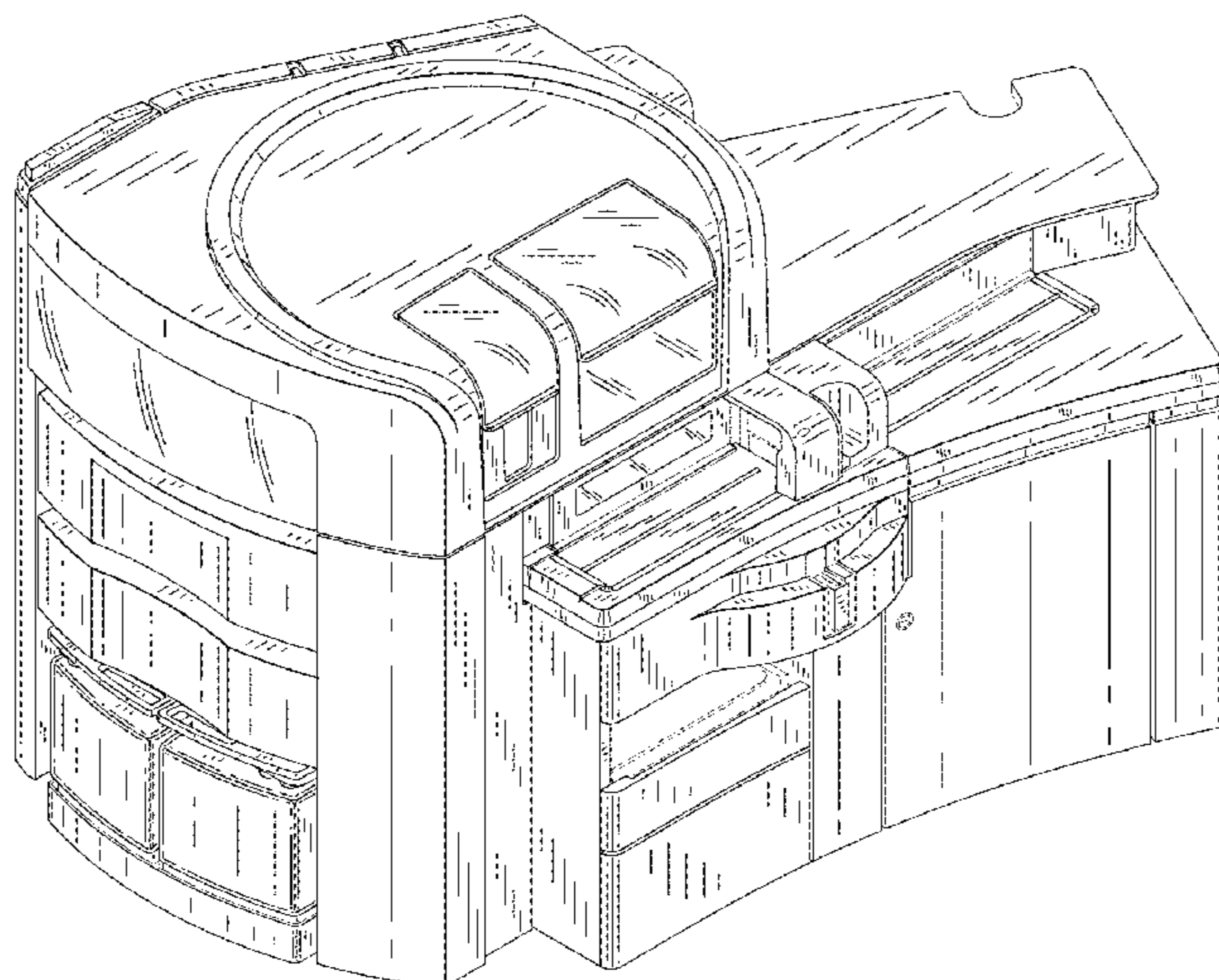
(57) **CLAIM**

The ornamental design for an enclosure for diagnostic analyzer, as shown and described.

DESCRIPTION

FIG. 1 is a front left perspective view of an enclosure for diagnostic analyzer, showing our new design;
FIG. 2 is a front right perspective view thereof;
FIG. 3 is a front view thereof;
FIG. 4 is a rear view thereof;
FIG. 5 is a left side view thereof;
FIG. 6 is a right side view thereof;
FIG. 7 is a top view thereof;
FIG. 8 is a bottom view thereof; and,
FIG. 9 is a front right perspective view thereof, showing unclaimed environmental structure in dashed lines.
The broken lines shown are included for the purpose of illustrating the environment in which the article resides and form no part of the claimed design.

1 Claim, 9 Drawing Sheets



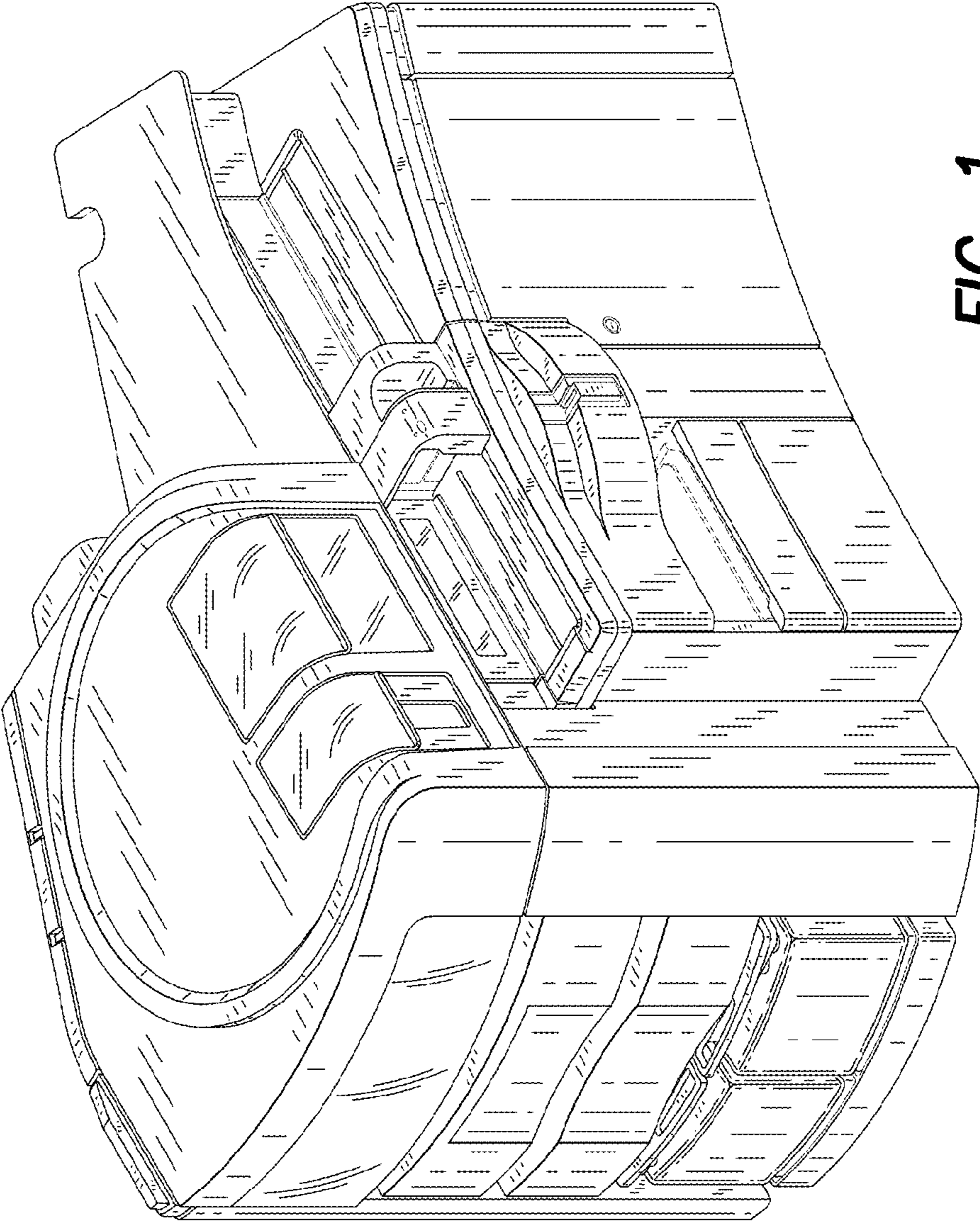


FIG. 1

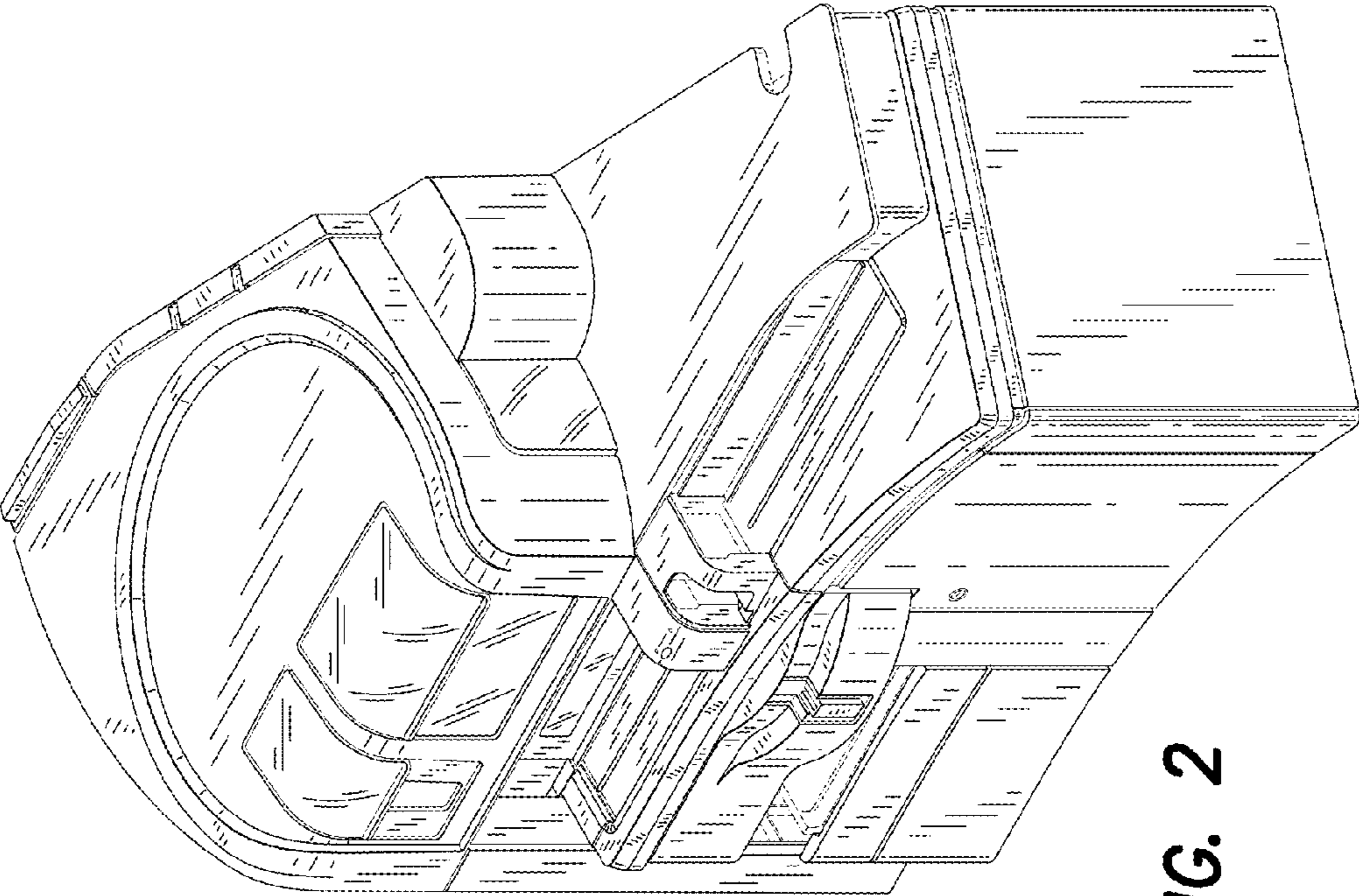


FIG. 2

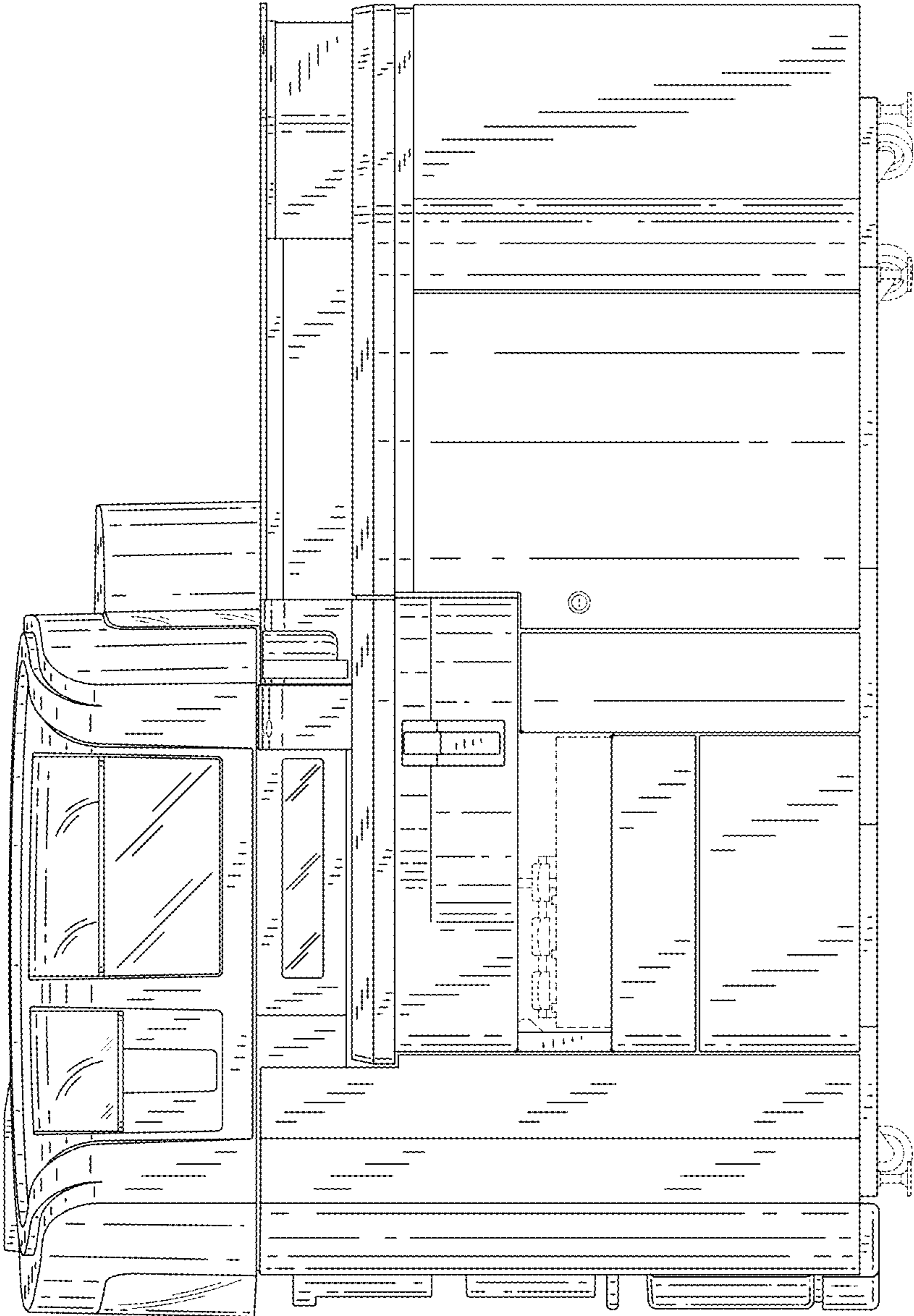


FIG. 3

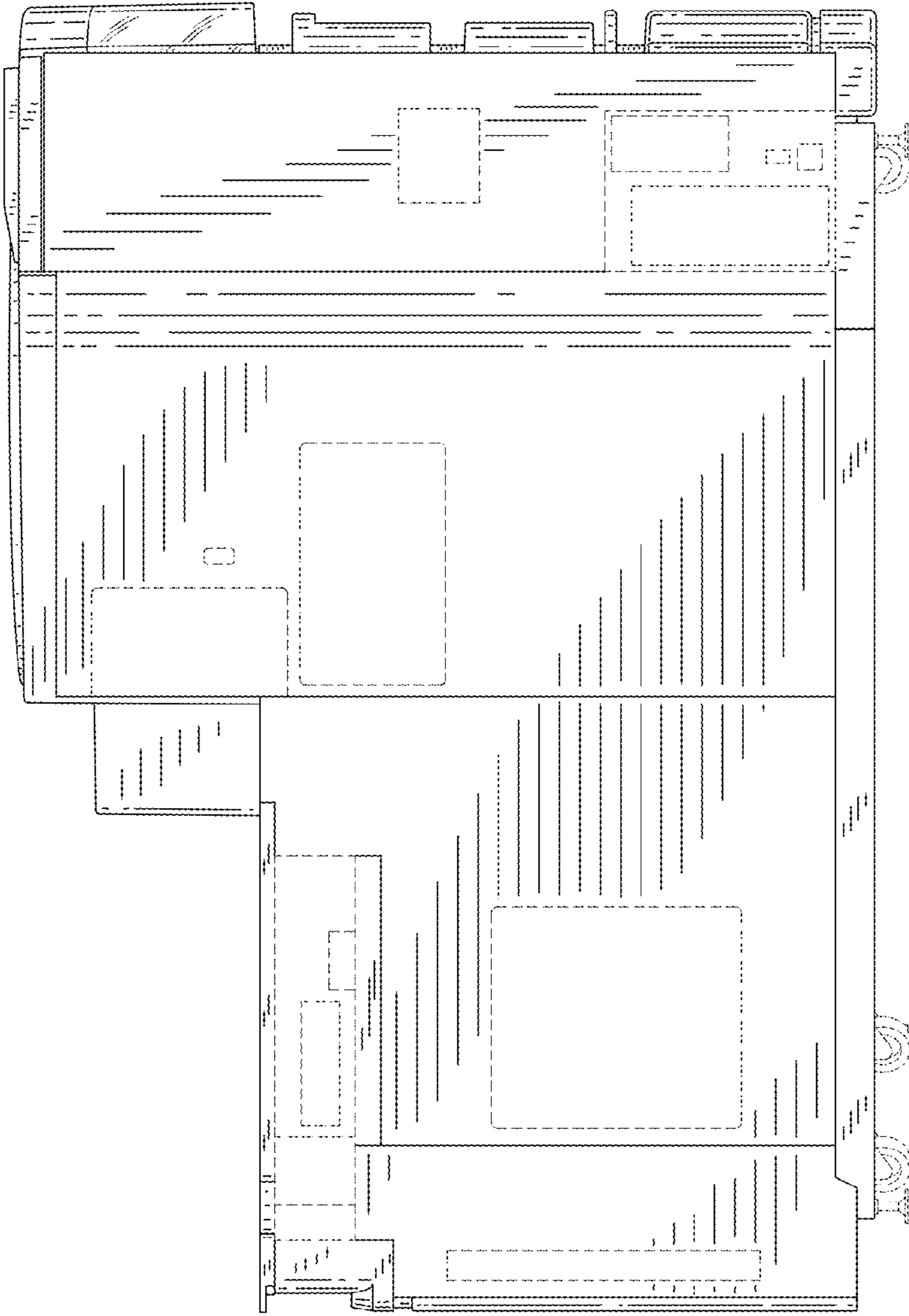


FIG. 4

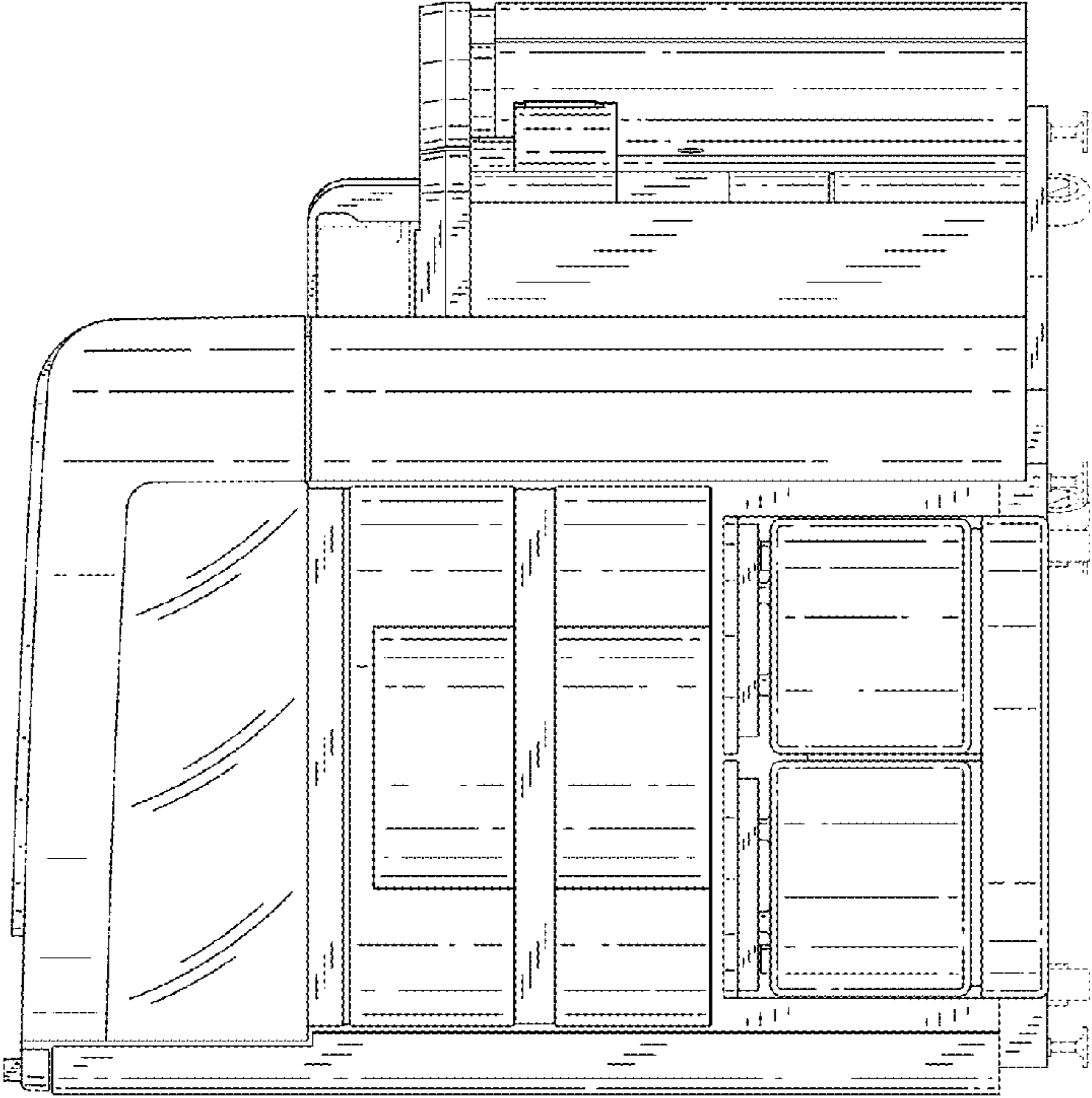


FIG. 5

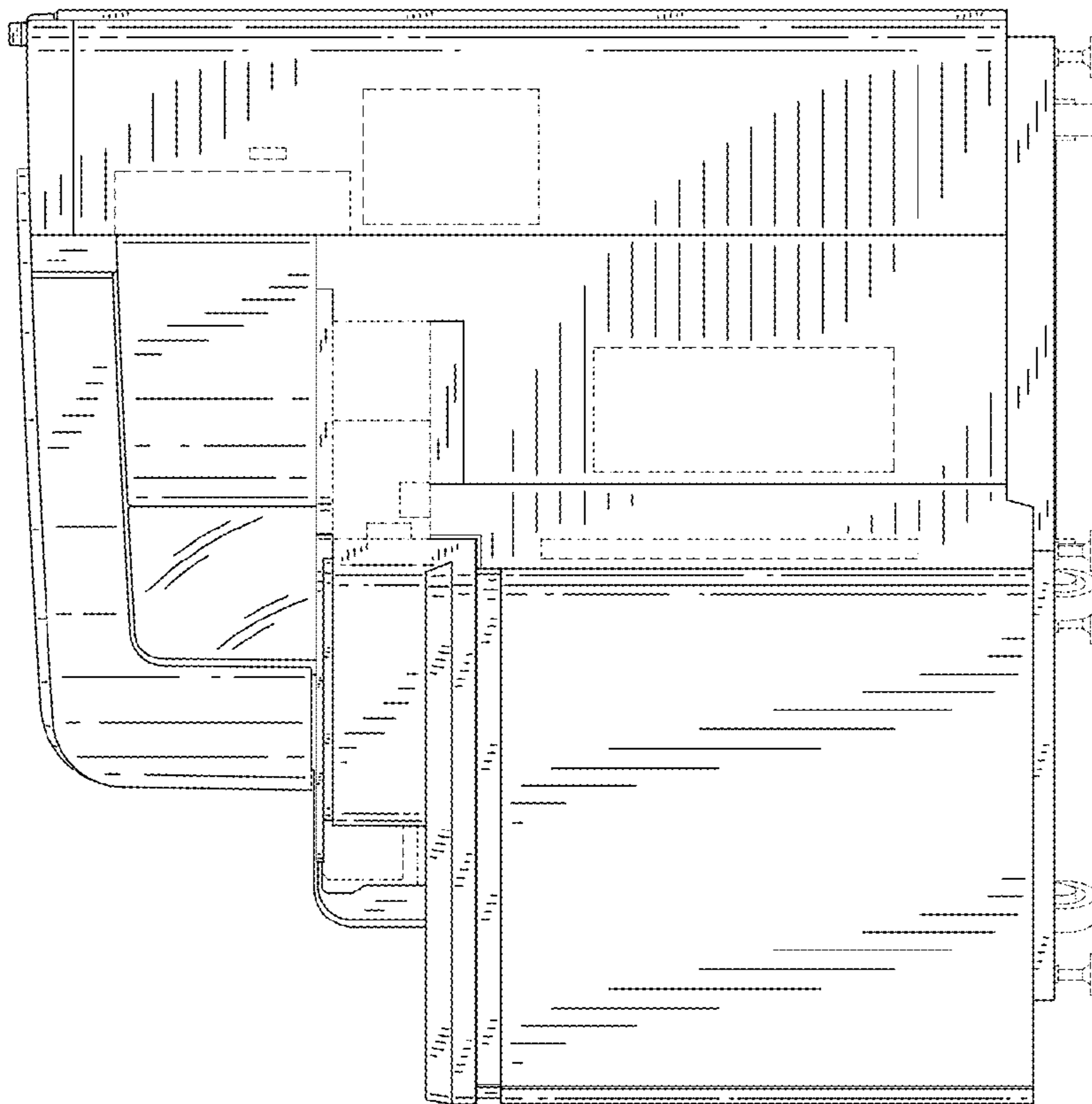


FIG. 6

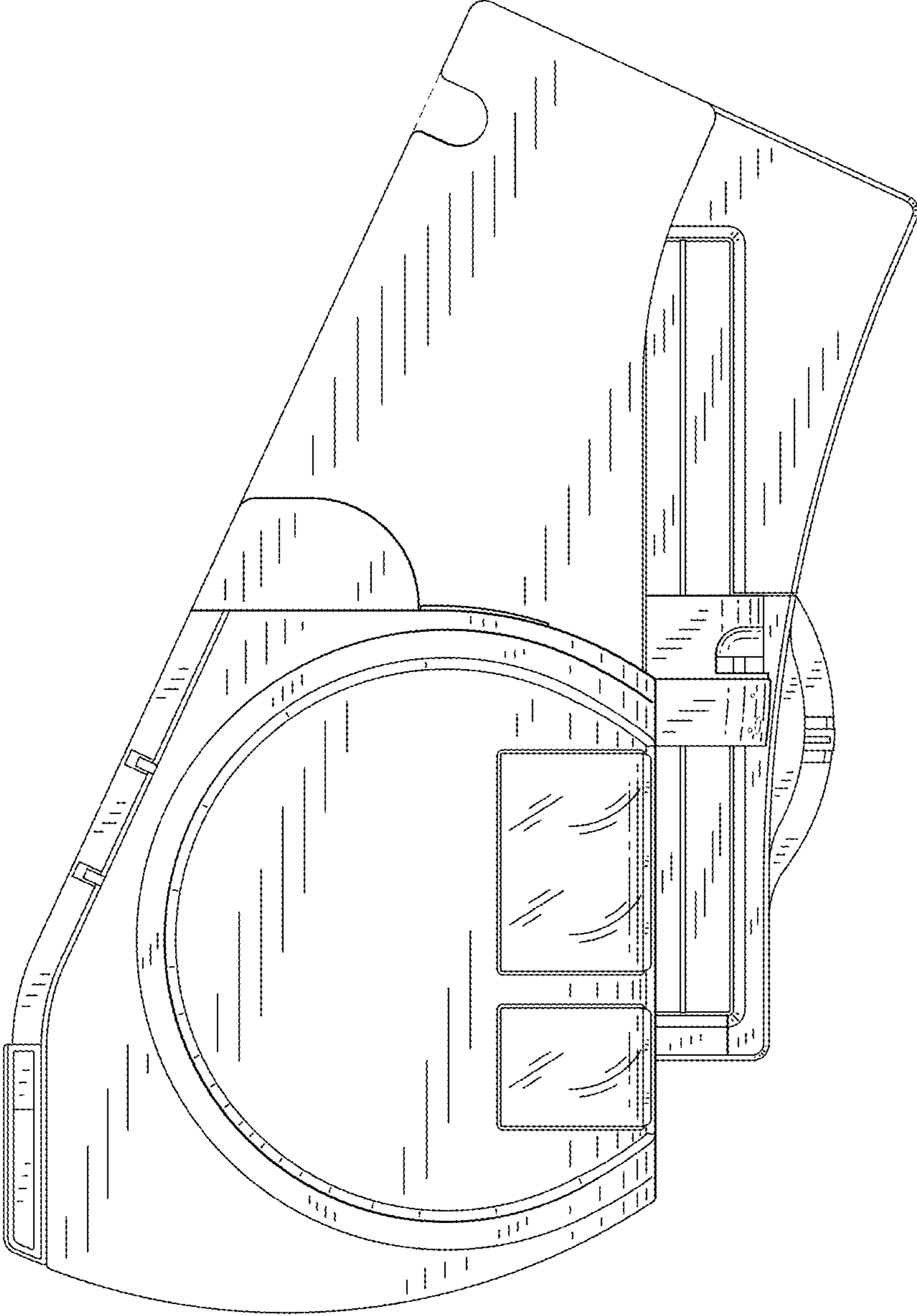


FIG. 7

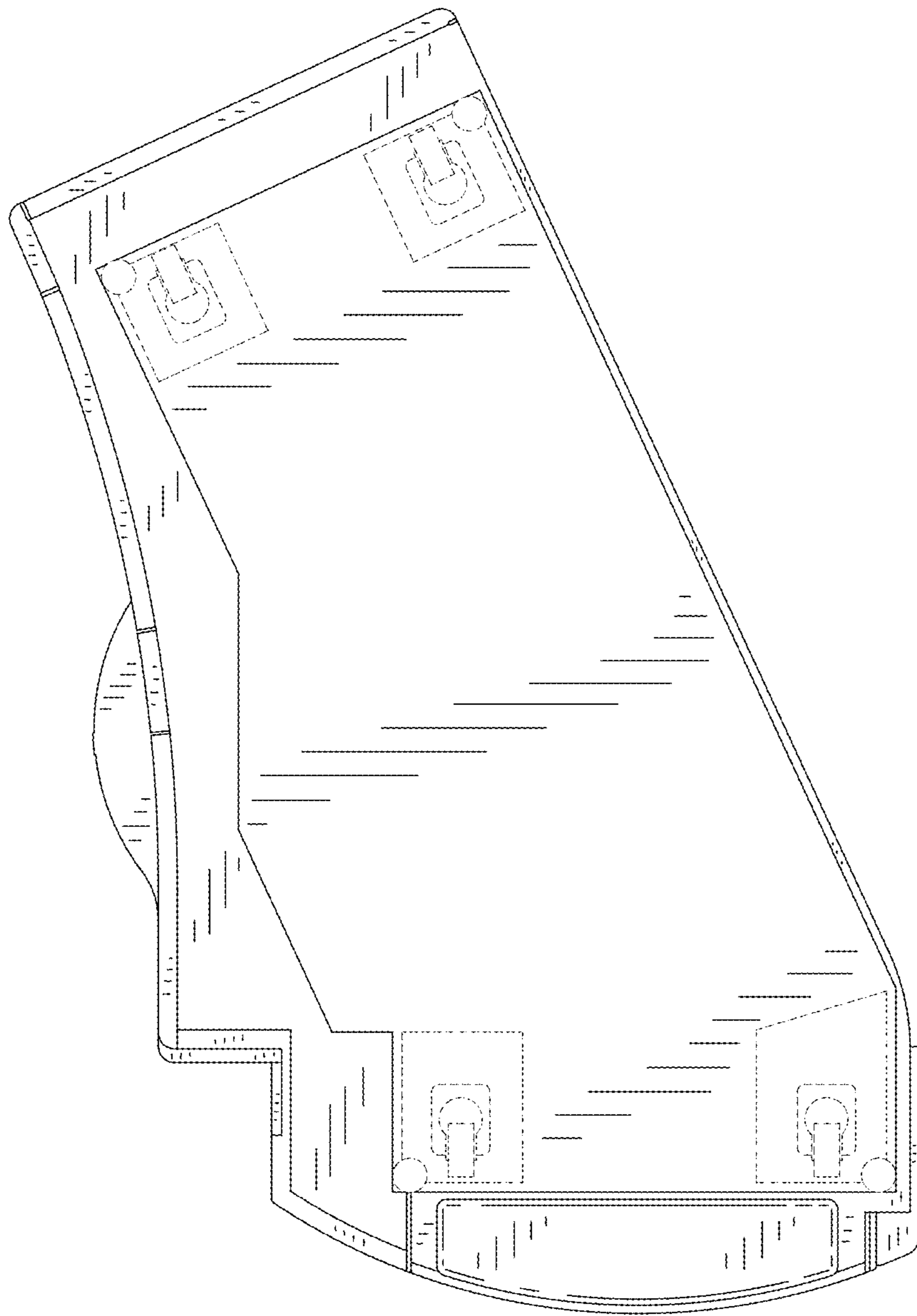


FIG. 8

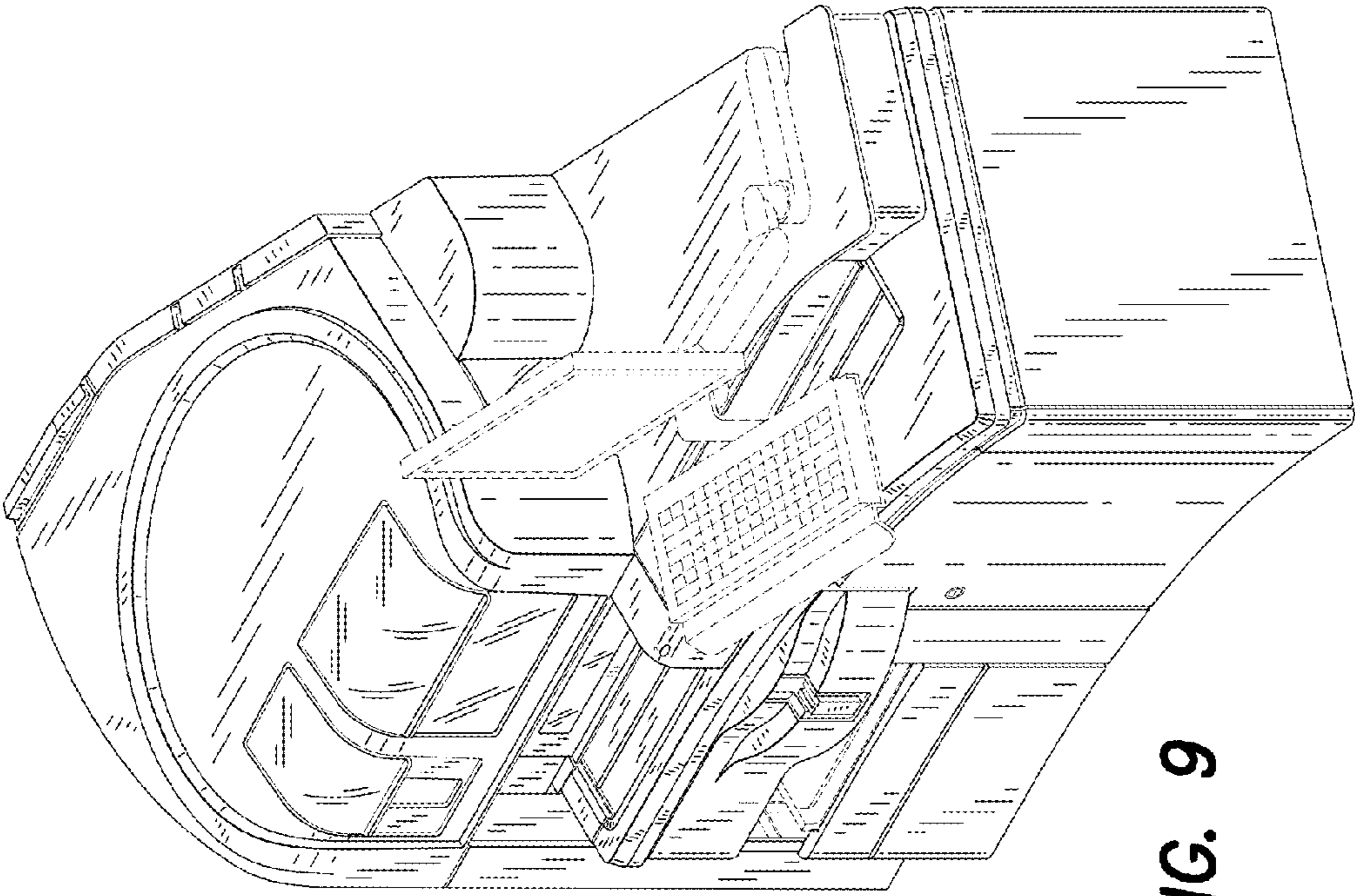


FIG. 9