



US00D691279S

(12) **United States Design Patent**
Hane-Karr

(10) **Patent No.:** **US D691,279 S**

(45) **Date of Patent:** **** Oct. 8, 2013**

(54) **MESSAGE DEVICE**

(71) Applicant: **Heather Hane-Karr**, Newbury Park, CA
(US)

(72) Inventor: **Heather Hane-Karr**, Newbury Park, CA
(US)

(73) Assignee: **GBM Health, Inc.**, Thousand Oaks, CA
(US)

(**) Term: **14 Years**

(21) Appl. No.: **29/446,847**

(22) Filed: **Feb. 27, 2013**

(51) **LOC (9) Cl.** **28-03**

(52) **U.S. Cl.**
USPC **D24/211**

(58) **Field of Classification Search**
USPC D24/200, 211, 212, 213, 214, 215;
601/114, 120, 121, 124, 125, 130, 131, 134,
601/135, 136, 137
See application file for complete search history.

(56) **References Cited**

U.S. PATENT DOCUMENTS

2,510,399	A *	6/1950	Harris	601/131
2,748,763	A	6/1956	Kosloff		
2,988,084	A	6/1961	Douglas		
D378,539	S *	3/1997	Scott	D24/211
6,093,159	A *	7/2000	Racoosin	601/131
D454,644	S *	3/2002	York	D24/214
D469,880	S *	2/2003	York	D24/214
6,676,544	B2	1/2004	Tyke		
D507,057	S *	7/2005	Timmer	D24/211
D535,752	S *	1/2007	Smith	D24/214
D569,005	S *	5/2008	York	D24/214

D617,467	S *	6/2010	Dworzan	D24/211
2002/0005124	A1	1/2002	Parks		
2006/0155225	A1	7/2006	Murdock et al.		
2006/0161080	A1	7/2006	Chen		
2007/0232970	A1	10/2007	Kyoji et al.		

* cited by examiner

Primary Examiner — Sandra Snapp

(74) *Attorney, Agent, or Firm* — SoCal IP Law Group LLP;
Steven C. Sereboff; M. Kala Sarvaiya

(57) **CLAIM**

The ornamental design for a massage device, as shown and described.

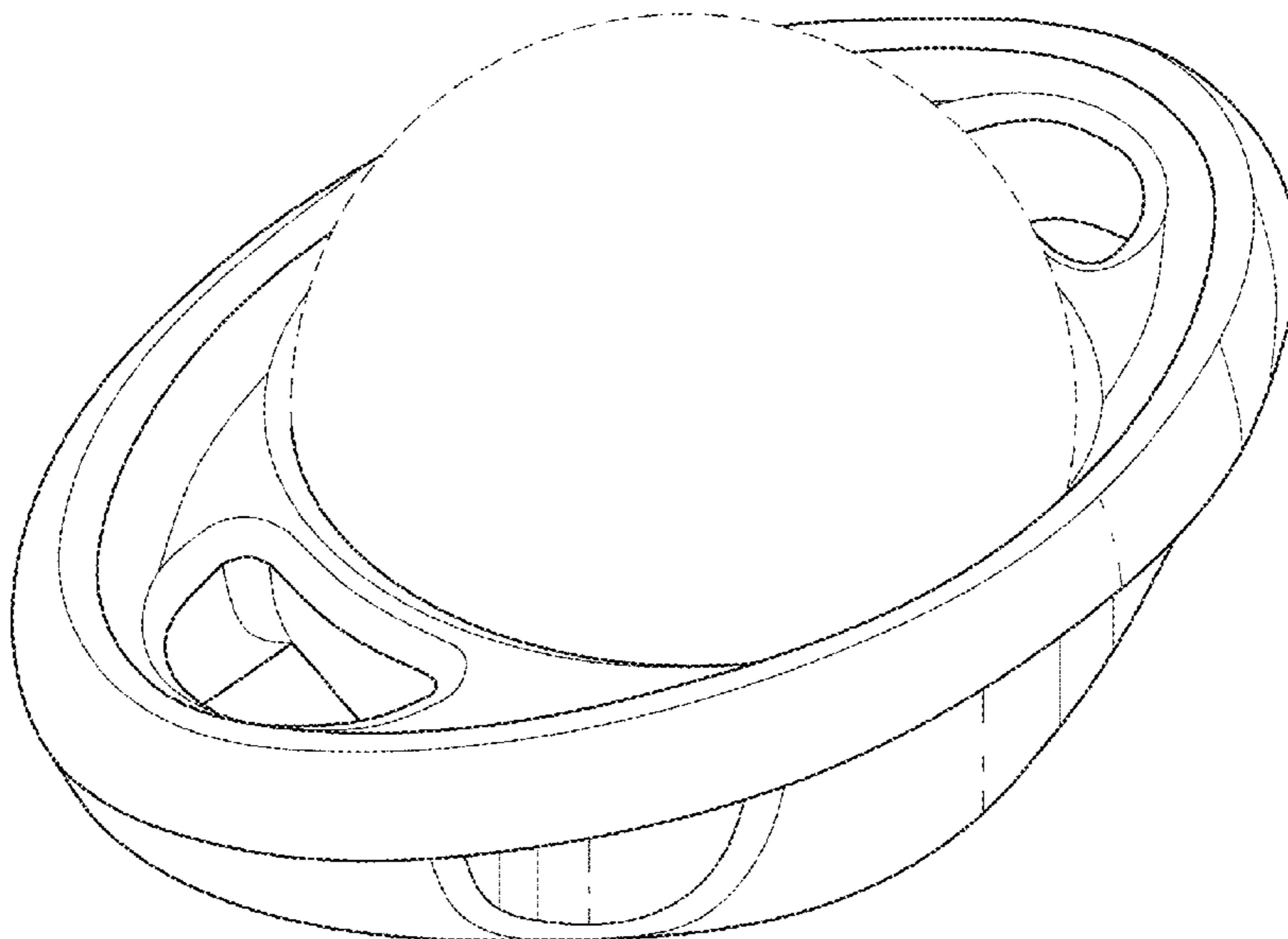
DESCRIPTION

A portion of the disclosure of this patent document contains material which is subject to copyright protection. This patent document may show and/or describe matter which is or may become trade dress of the owner. The copyright and trade dress owner has no objection to the facsimile reproduction by anyone of the patent disclosure as it appears in the Patent and Trademark Office patent files or records, but otherwise reserves all copyright and trade dress rights whatsoever.

FIG. 1 is a top perspective view of a massage device.
FIG. 2 is a bottom perspective view of the massage device.
FIG. 3 is a front elevation view of the massage device.
FIG. 4 is a top plan view of the massage device.
FIG. 5 is a bottom plan view of the massage device.
FIG. 6 is a left side elevation view of the massage device.
FIG. 7 is a right side elevation view of the massage device.
FIG. 8 is a rear elevation view of the massage device; and,
FIG. 9 is a cross sectional view along line 9-9 shown in FIG. 4.

The broken lines shown in the drawings are for illustrative purposes only and form no part of the claimed design.

1 Claim, 5 Drawing Sheets



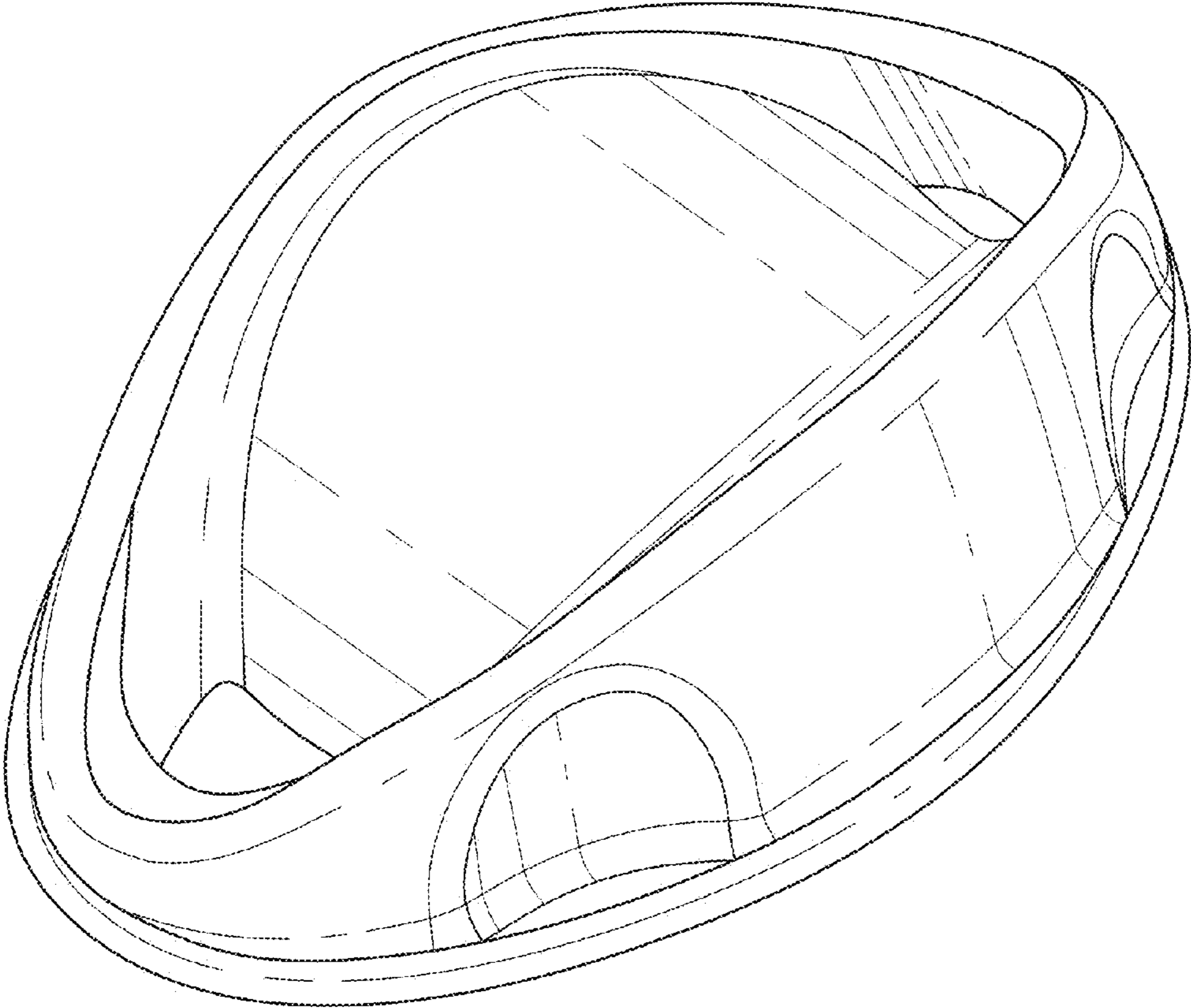


FIG. 1

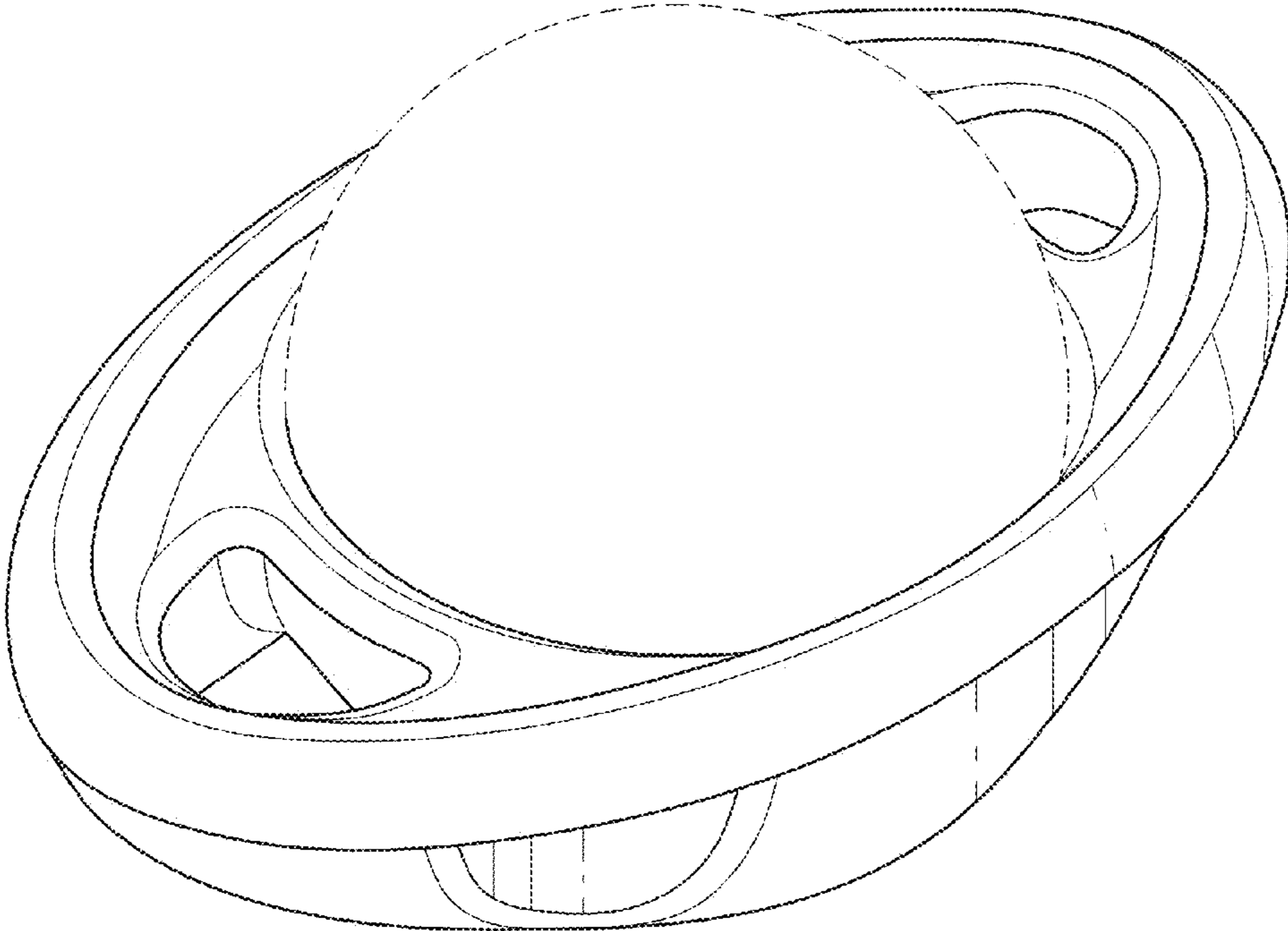
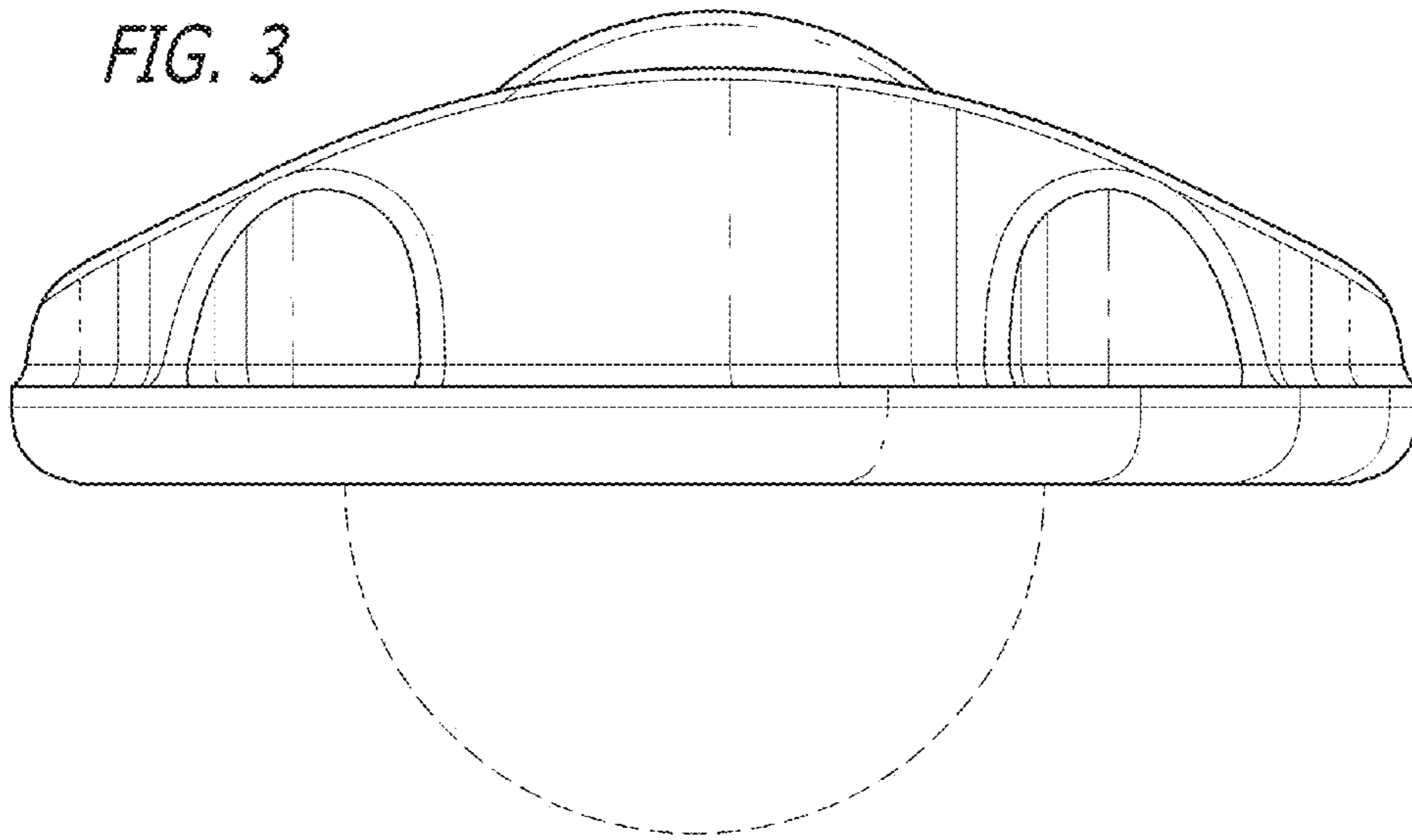


FIG. 2

FIG. 3



9

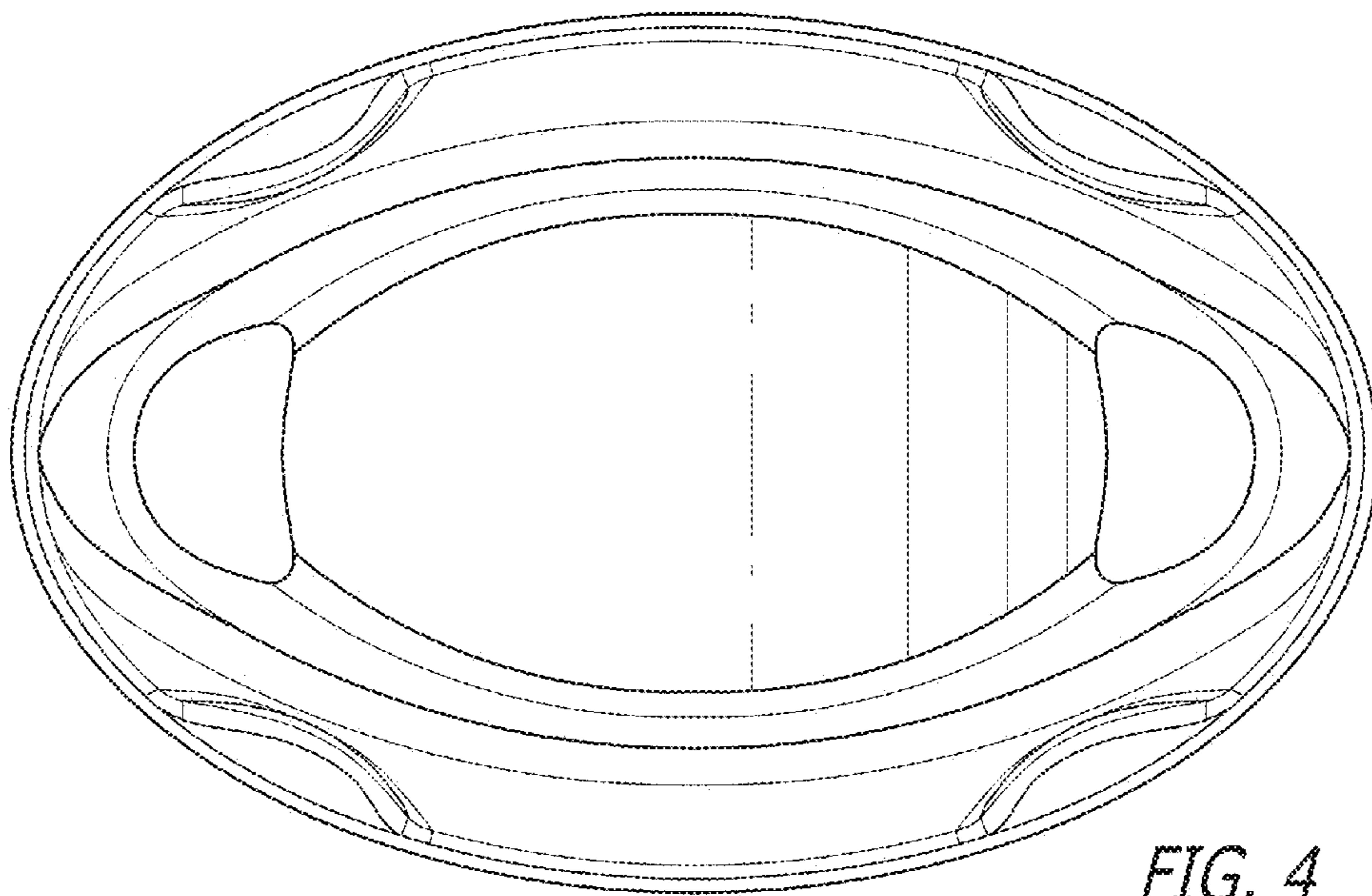


FIG. 4

9

FIG. 5

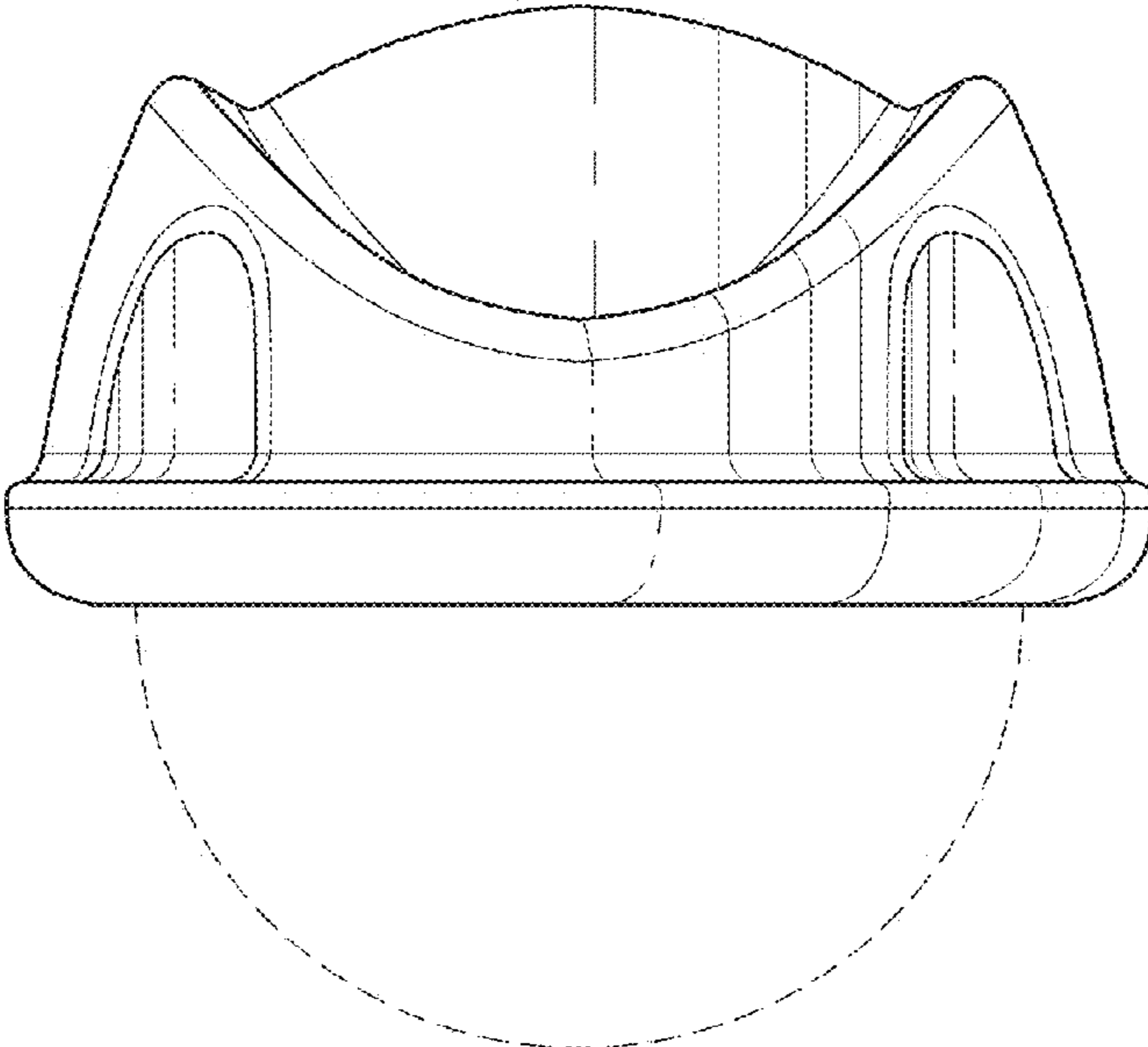
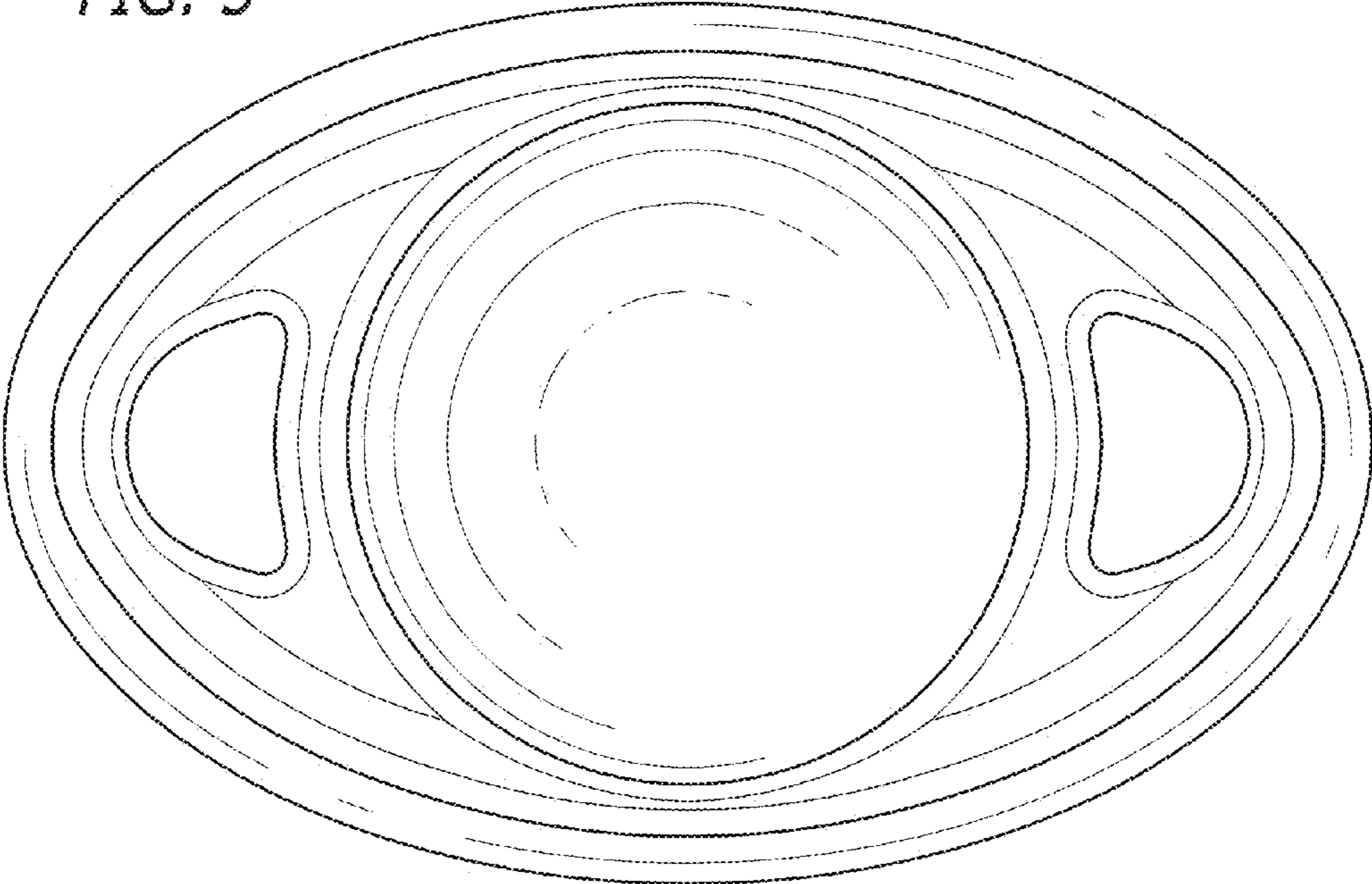


FIG. 6

FIG. 7

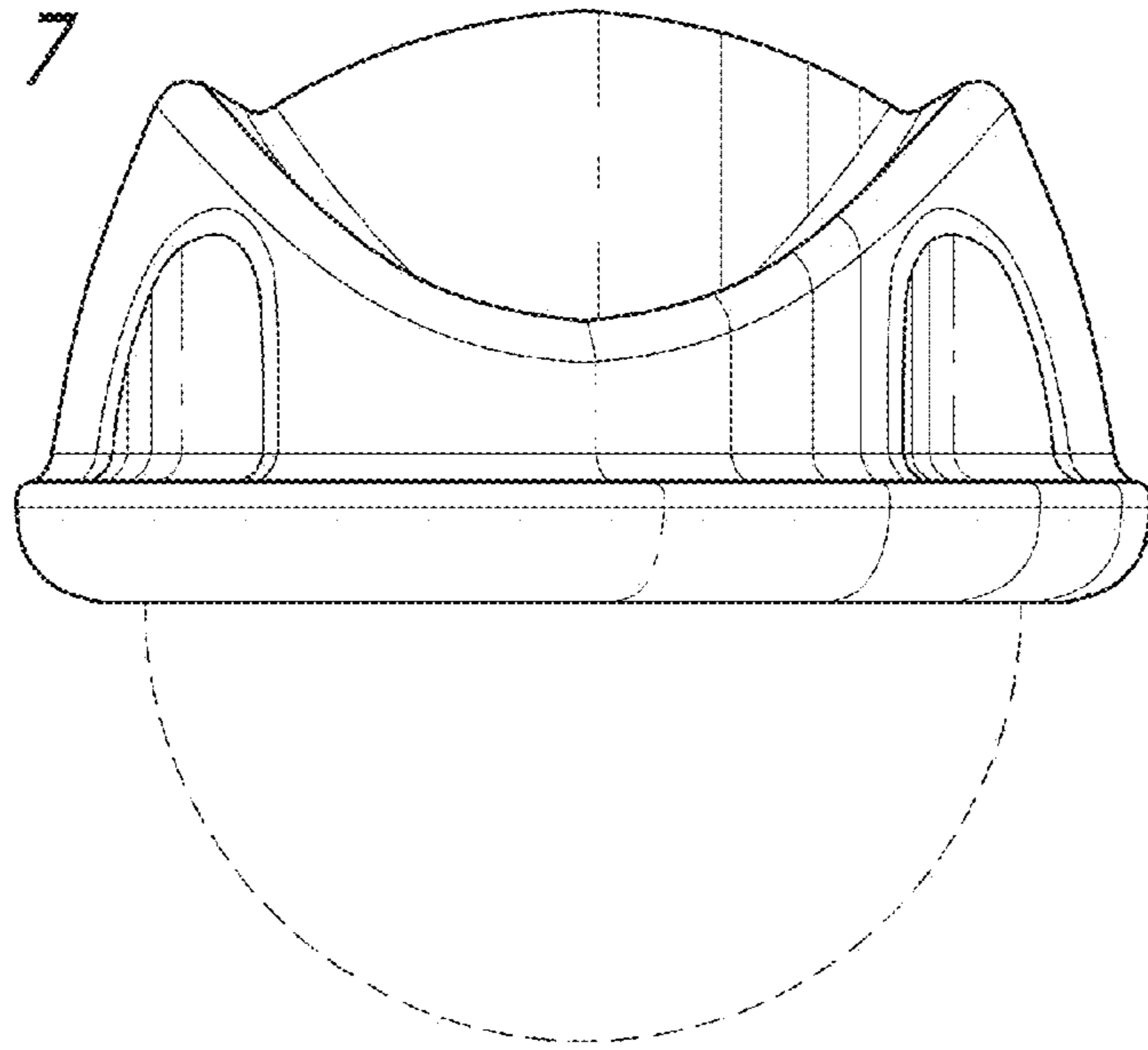


FIG. 8

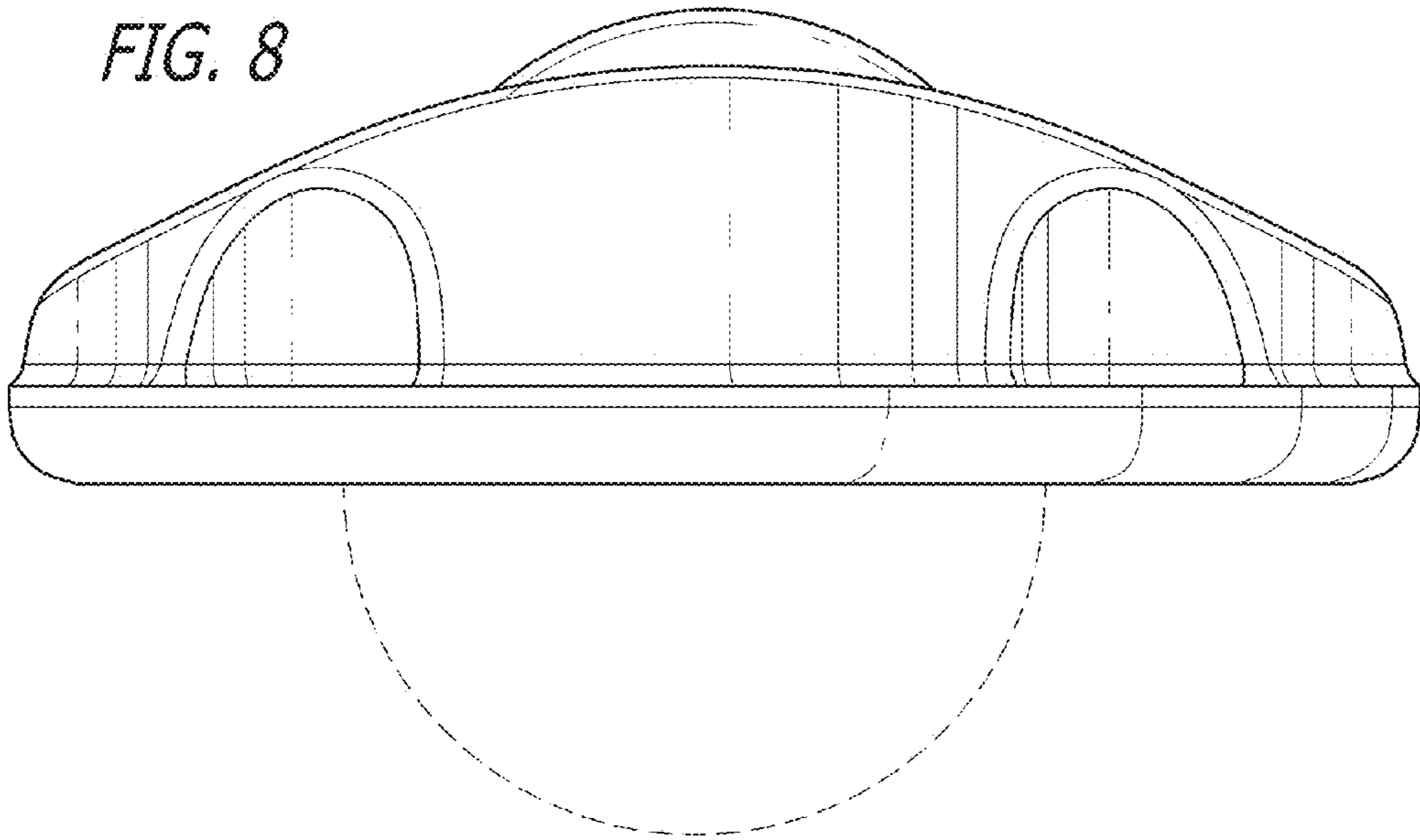


FIG. 9

