

US00D691278S

(12) **United States Design Patent**
Aunio

(10) **Patent No.:** **US D691,278 S**

(45) **Date of Patent:** **** Oct. 8, 2013**

(54) **LIGHT TREATMENT DEVICE**

(71) Applicant: **Valkee Oy**, Oulu (FI)

(72) Inventor: **Antti Aunio**, Oulu (FI)

(73) Assignee: **Valkee Oy**, Oulu (FI)

(**) Term: **14 Years**

(21) Appl. No.: **29/434,245**

(22) Filed: **Oct. 11, 2012**

Related U.S. Application Data

(62) Division of application No. 29/375,981, filed on Sep. 30, 2010, now Pat. No. Des. 674,904.

(51) **LOC (9) Cl.** **28-03**

(52) **U.S. Cl.**
USPC **D24/210; D14/223**

(58) **Field of Classification Search**
USPC D24/210, 209, 200, 158; 362/555,
362/545, 800, 294, 249, 367; D26/29, 37,
D26/39, 41, 104; 606/2-4; 607/88-95;
D14/223

See application file for complete search history.

(56) **References Cited**

U.S. PATENT DOCUMENTS

D330,761 S *	11/1992	Falco	D24/106
D516,058 S *	2/2006	Garcia	D14/205
7,221,768 B2 *	5/2007	Sjursen et al.	381/322
D550,657 S *	9/2007	Gan et al.	D14/223
D554,627 S *	11/2007	Gondo	D14/223
D555,152 S *	11/2007	Wang	D14/223
D559,836 S *	1/2008	Lee	D14/223
D564,495 S *	3/2008	Sasaki	D14/205
D567,217 S *	4/2008	Kamo et al.	D14/205
D573,978 S *	7/2008	Ledbetter et al.	D14/205
D576,154 S *	9/2008	Ledbetter et al.	D14/223
D579,444 S *	10/2008	Ewert et al.	D14/223

D586,332 S *	2/2009	Ewert et al.	D14/223
D587,247 S *	2/2009	Densho	D14/223
D587,681 S *	3/2009	Yanai	D14/205
D591,721 S *	5/2009	Densho	D14/205
D594,441 S *	6/2009	Lee et al.	D14/205
D606,971 S *	12/2009	Christopher et al.	D14/205
D606,972 S *	12/2009	Schaefer	D14/205
D611,934 S *	3/2010	Schaefer	D14/223
D624,056 S *	9/2010	Kolton	D14/223
D642,163 S *	7/2011	Lee et al.	D14/223
D643,416 S *	8/2011	Chong et al.	D14/223
D667,818 S *	9/2012	Sogabe et al.	D14/223
D670,275 S *	11/2012	Tompkin et al.	D14/223
D671,530 S *	11/2012	Yang	D14/223
D676,426 S *	2/2013	Komiyama	D14/223
D677,248 S *	3/2013	Yoon	D14/223
D678,251 S *	3/2013	Cantoni et al.	D14/223
D679,682 S *	4/2013	Shimizu et al.	D14/223

* cited by examiner

Primary Examiner — John Windmuller

(74) *Attorney, Agent, or Firm* — Andrus, Scales, Starke & Sawall, LLP

(57) **CLAIM**

The ornamental design for a light treatment device, as shown and described.

DESCRIPTION

FIG. 1 is a perspective view showing another embodiment of a light treatment device;

FIG. 2 is an additional perspective view thereof;

FIG. 3 is a left side elevation view thereof, the right side elevation view being a mirror image thereof;

FIG. 4 is a front elevation view thereof;

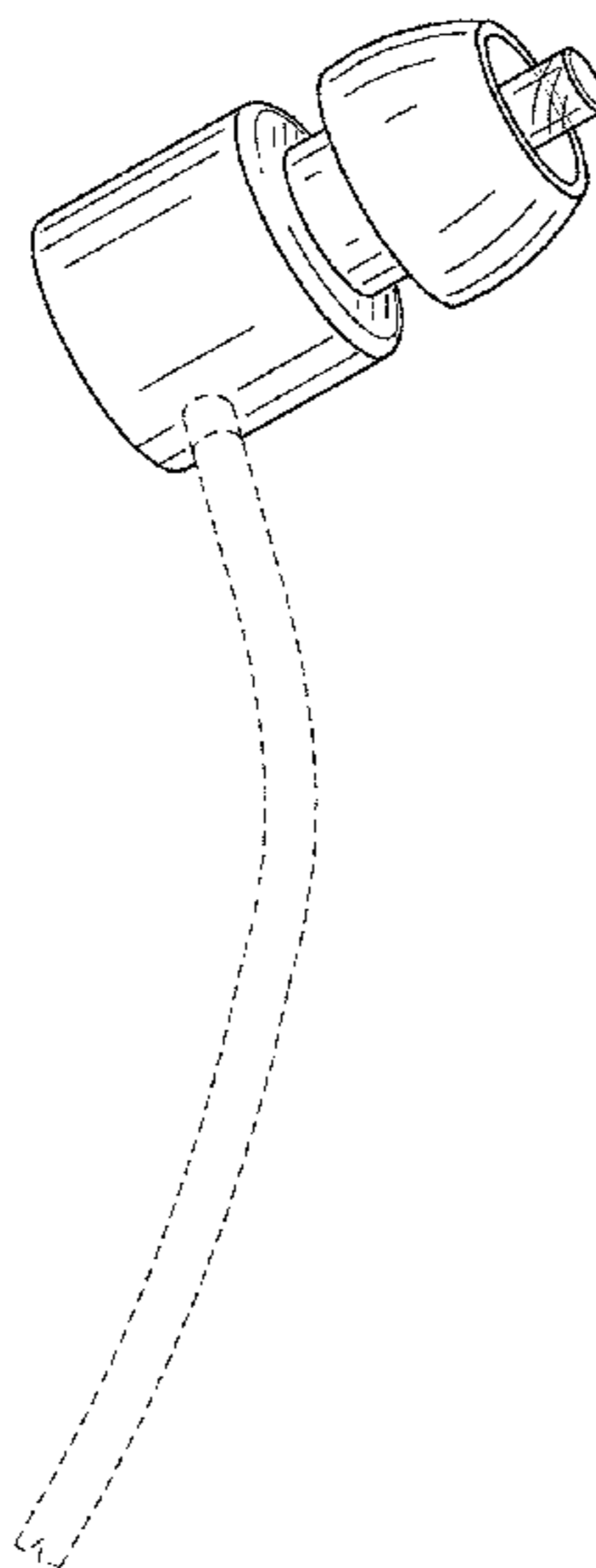
FIG. 5 is a rear elevation view thereof;

FIG. 6 is a top elevation view thereof; and,

FIG. 7 is a bottom elevation view thereof.

The broken lines shown in the drawing figures are for the purpose of illustrating environmental structure and form no part of the claimed design.

1 Claim, 3 Drawing Sheets



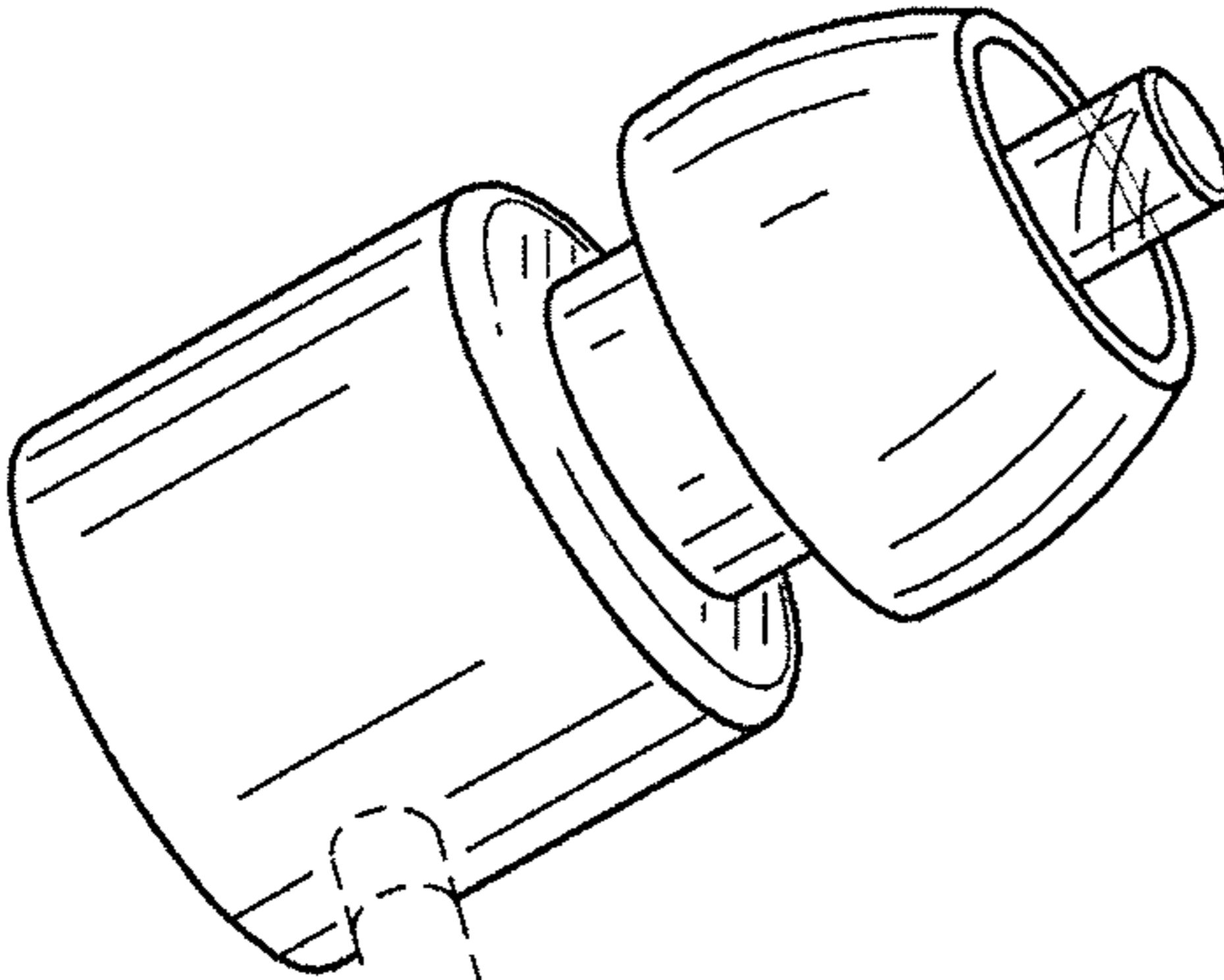


FIG. 1

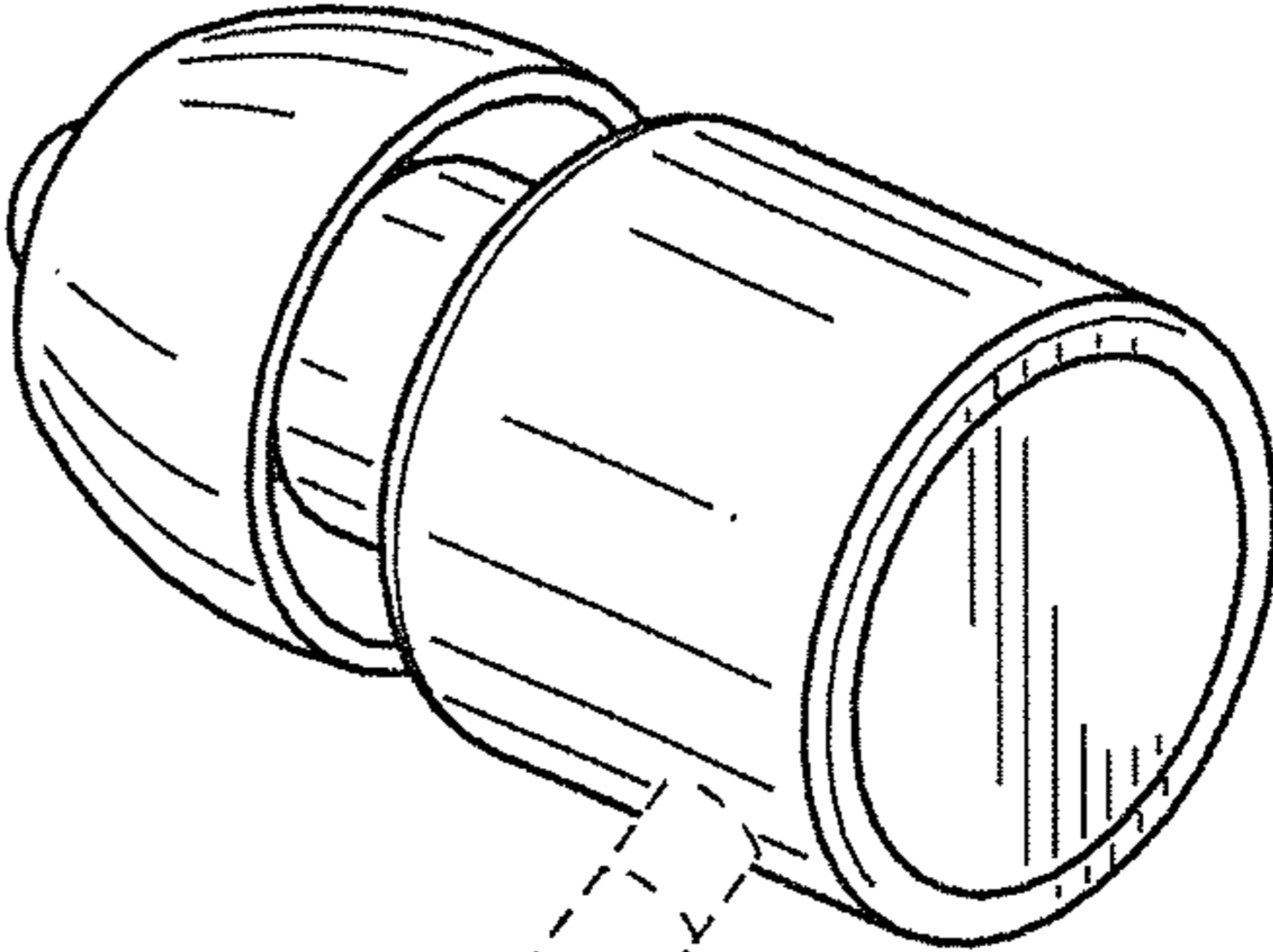


FIG. 2

FIG. 3

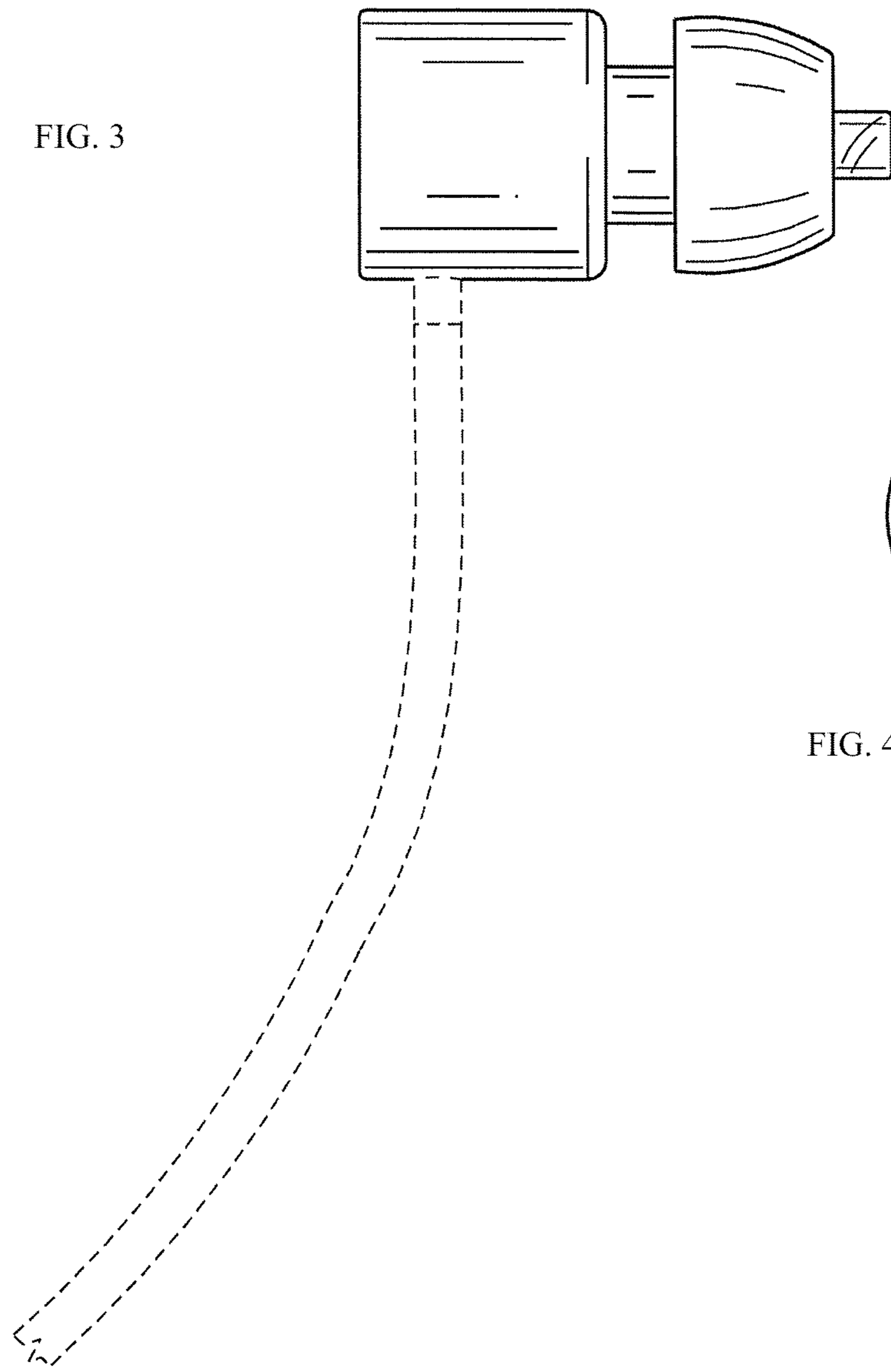
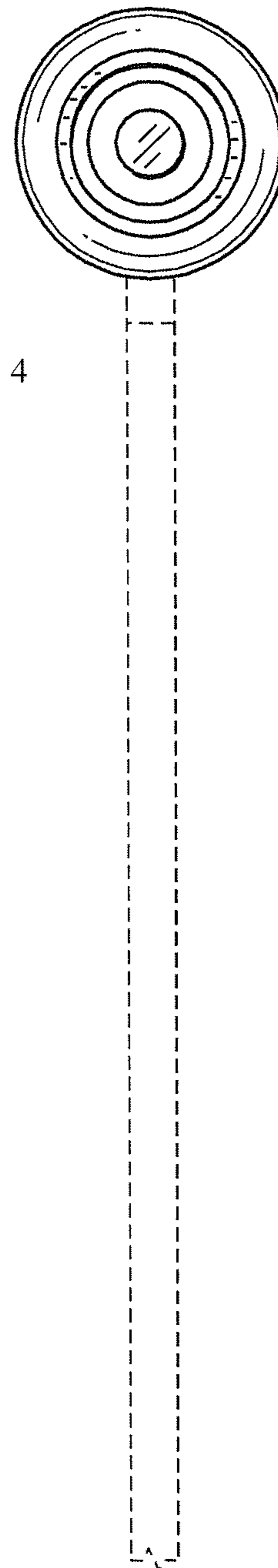


FIG. 4



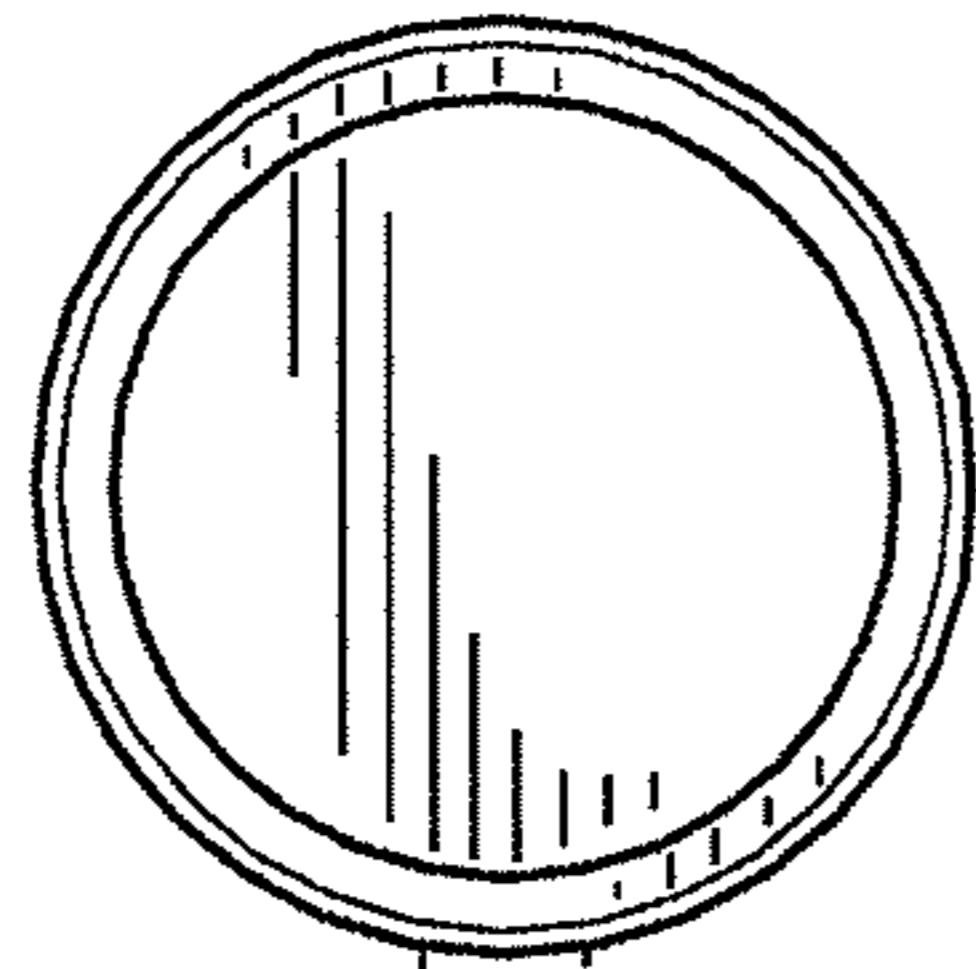


FIG. 5

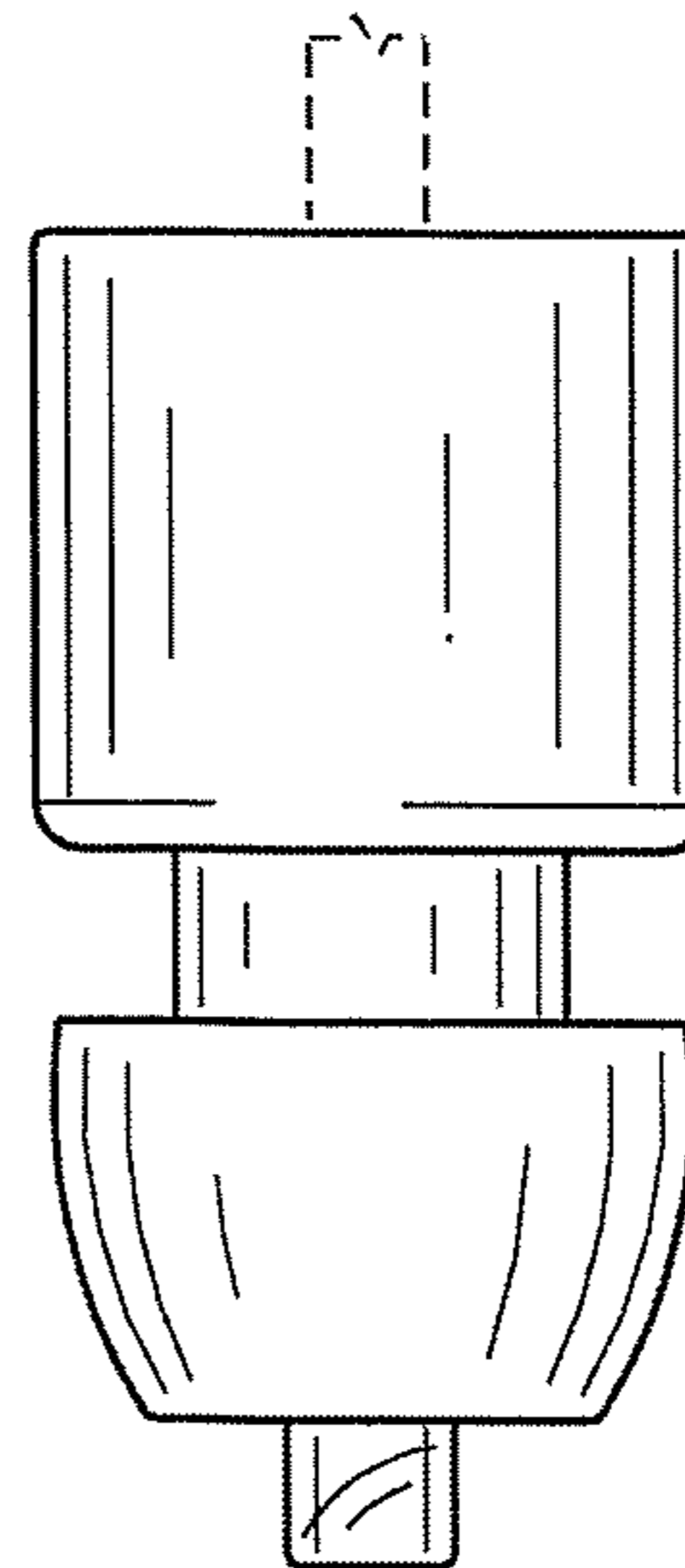


FIG. 6

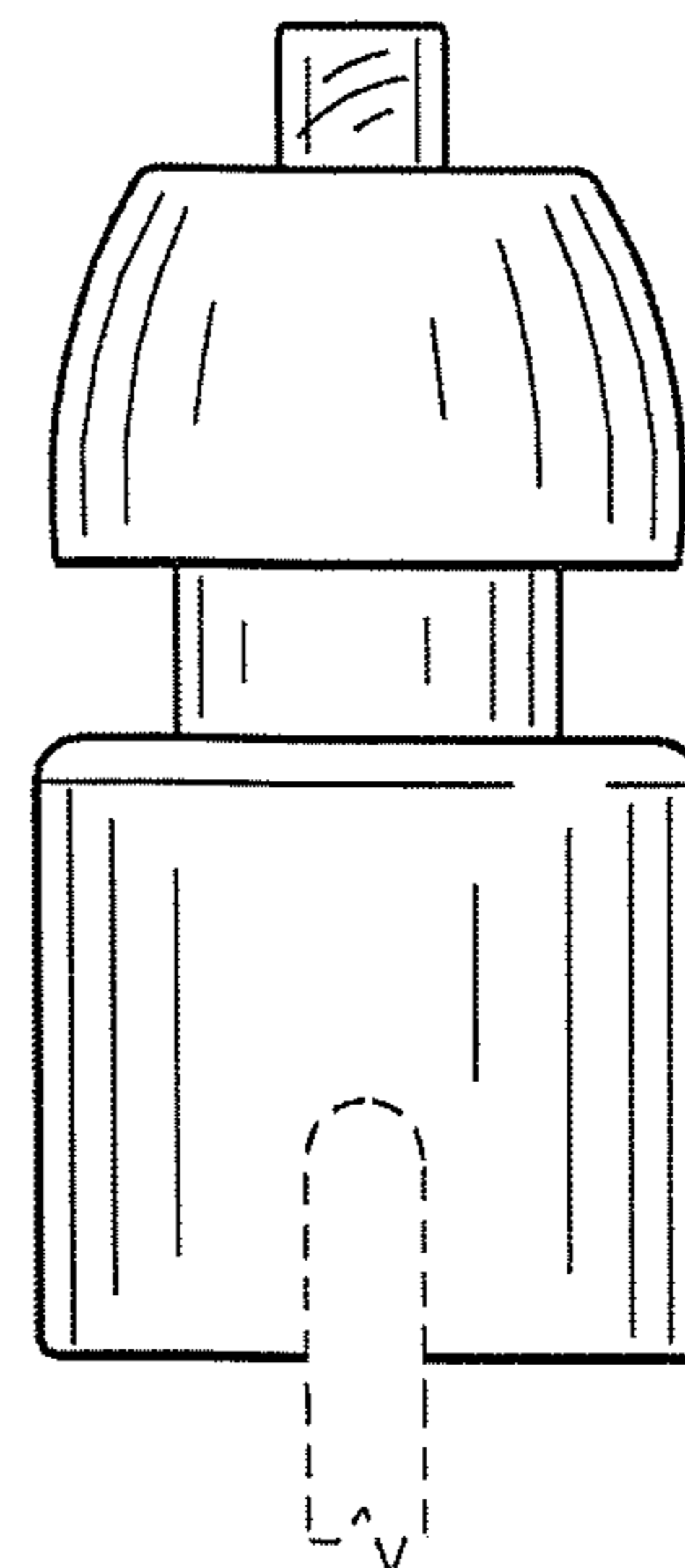


FIG. 7