

US00D691272S

(12) **United States Design Patent**
Dacosta et al.

(10) **Patent No.:** **US D691,272 S**
(45) **Date of Patent:** **** Oct. 8, 2013**

(54) **EVANS CALCANEAL BONE WEDGE**

(75) Inventors: **Albert Dacosta**, Fort Collins, CO (US);
Thomas Chang, Santa Rosa, CA (US);
Michael Houghton, Fort Collins, CO (US)

(73) Assignee: **Paragon 28, Inc.**, Englewood, CO (US)

(**) Term: **14 Years**

(21) Appl. No.: **29/428,137**

(22) Filed: **Jul. 26, 2012**

(51) **LOC (9) Cl.** **24-02**

(52) **U.S. Cl.**
USPC **D24/155**

(58) **Field of Classification Search**
USPC D24/155, 133, 135; 623/17.15, 17.16,
623/17.12, 16.11, 20.14; 128/898
See application file for complete search history.

(56) **References Cited**

U.S. PATENT DOCUMENTS

6,008,433	A *	12/1999	Stone	623/20.14
6,823,871	B2 *	11/2004	Schmieding	128/898
7,892,261	B2 *	2/2011	Bonutti	606/279
2003/0105526	A1 *	6/2003	Bryant et al.	623/16.11

2006/0015184	A1 *	1/2006	Winterbottom et al.	...	623/18.11
2012/0143334	A1 *	6/2012	Boyce et al.	623/16.11
2013/0144389	A1 *	6/2013	Bonutti	623/17.16

* cited by examiner

Primary Examiner — Ian Simmons

Assistant Examiner — Charles Hanson

(74) *Attorney, Agent, or Firm* — Heslin Rothenberg Farley & Mesiti P.C.

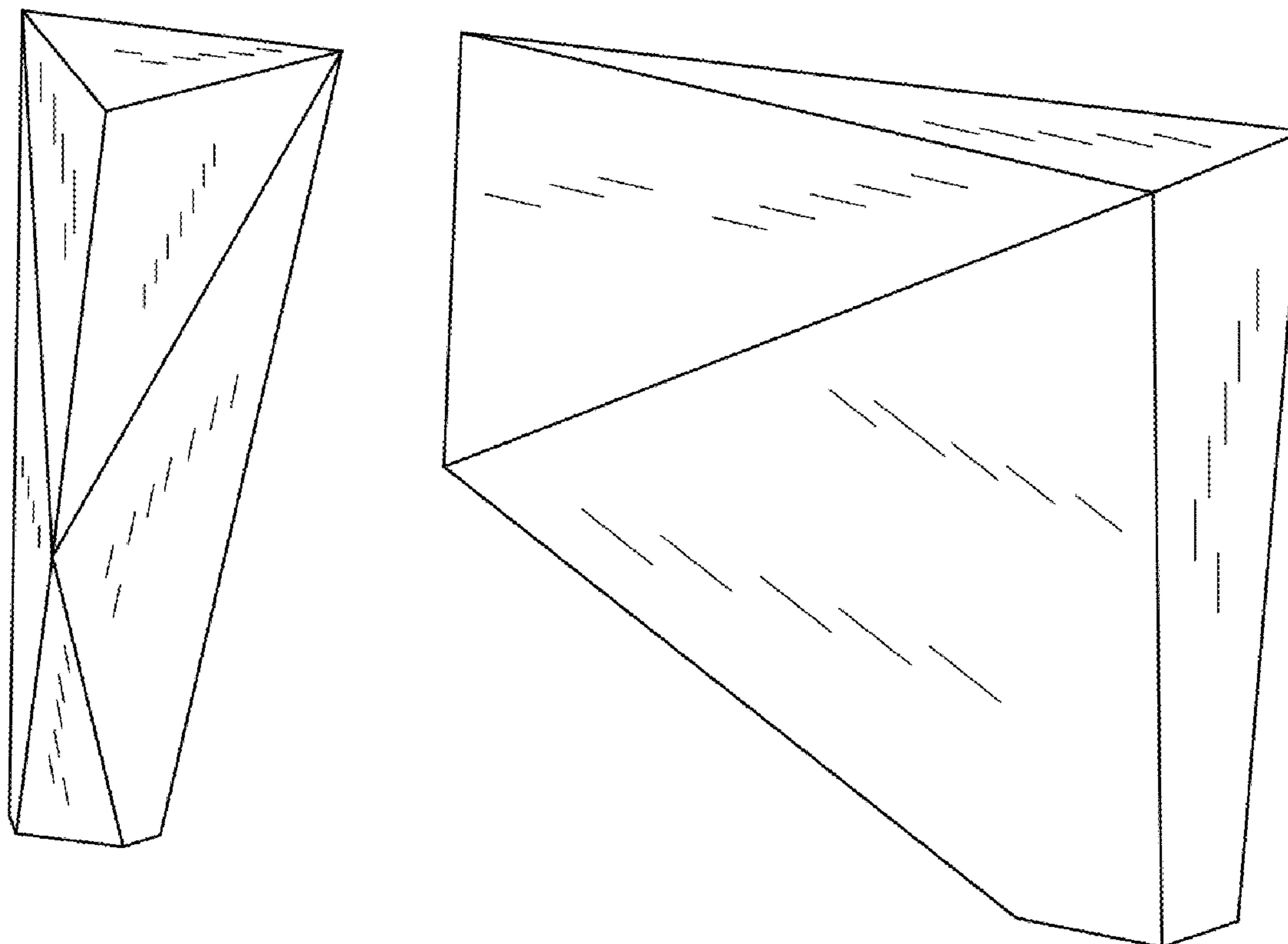
(57) **CLAIM**

The ornamental design for an evans calcaneal bone wedge, as shown and described.

DESCRIPTION

FIG. 1 is a front perspective view of the evans calcaneal bone wedge comprising the new design;
FIG. 2 is a side perspective view of the design of FIG. 1;
FIG. 3 is a front elevational view of the design of FIG. 1;
FIG. 4 is a sectional view along line 4-4 of FIG. 3 of the design of FIG. 1;
FIG. 5 is a top view of the design of FIG. 1;
FIG. 6 is a right elevational view of the design of FIG. 1, where the left side elevational view is a mirror image;
FIG. 7 is a rear elevational view of the design of FIG. 1; and,
FIG. 8 is a bottom view of the design of FIG. 1.

1 Claim, 2 Drawing Sheets



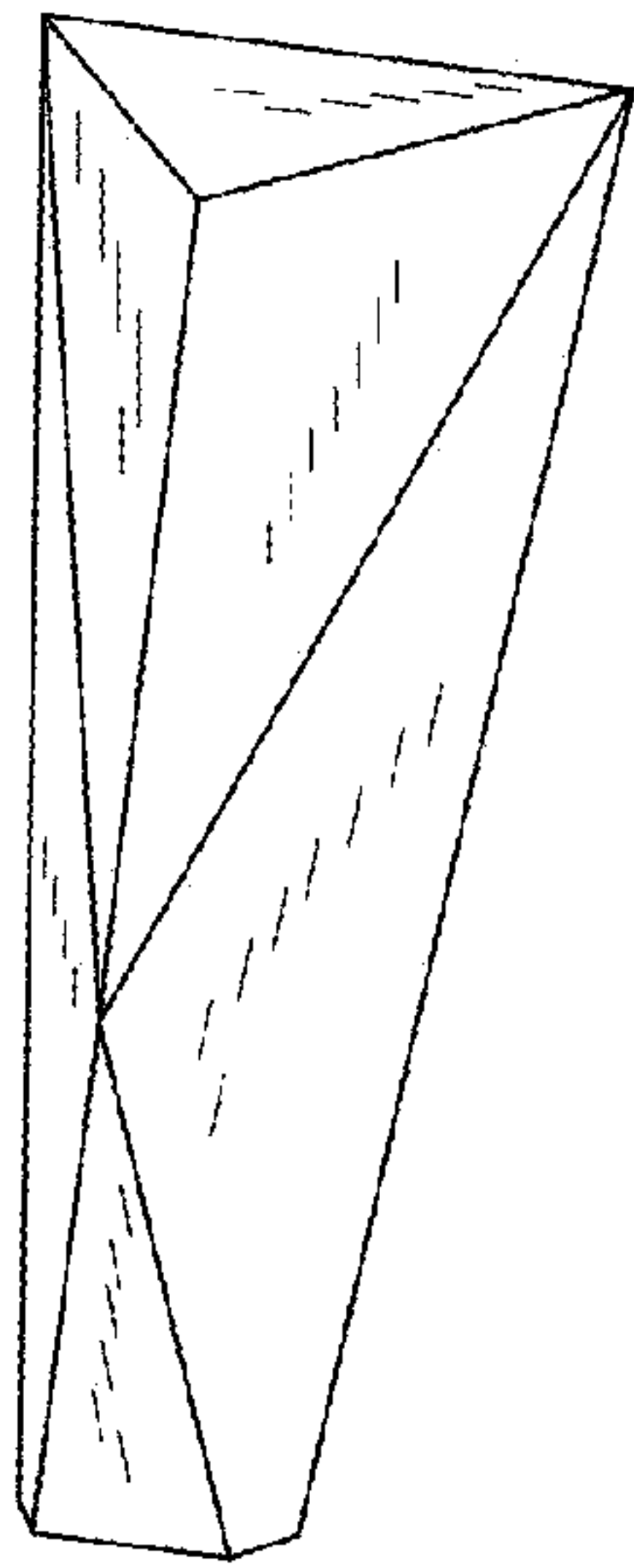


FIG. 1

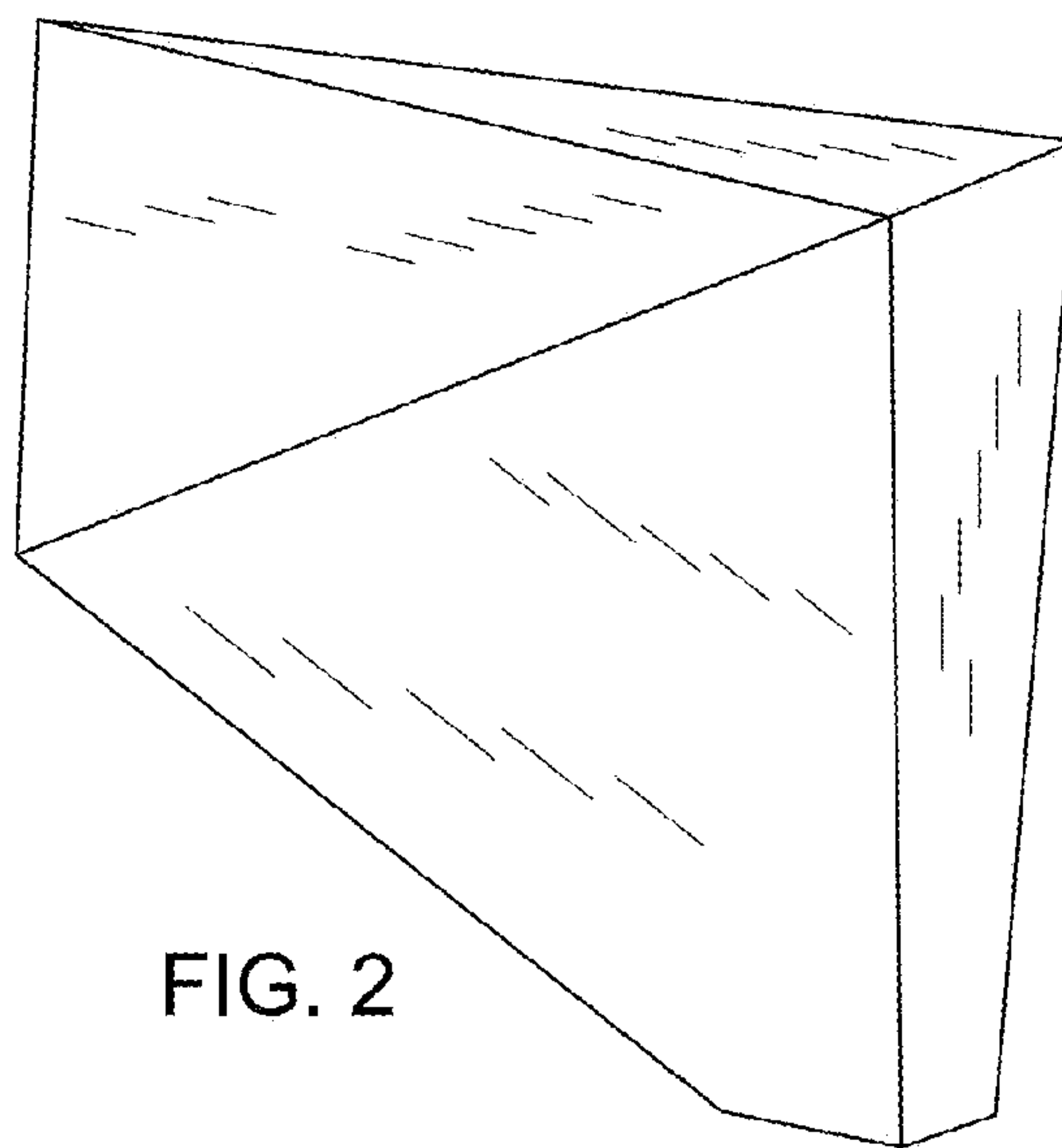


FIG. 2

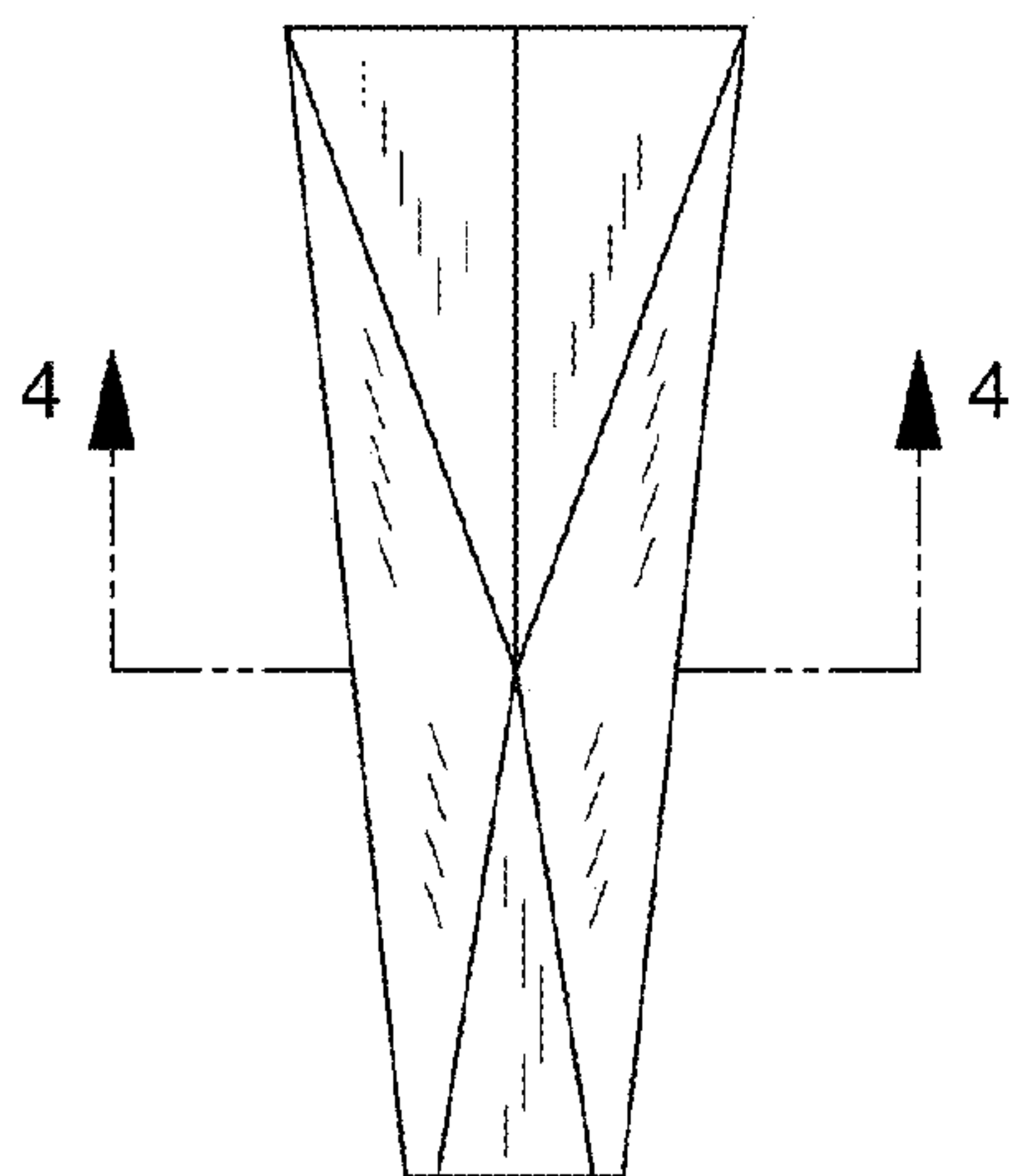


FIG. 3

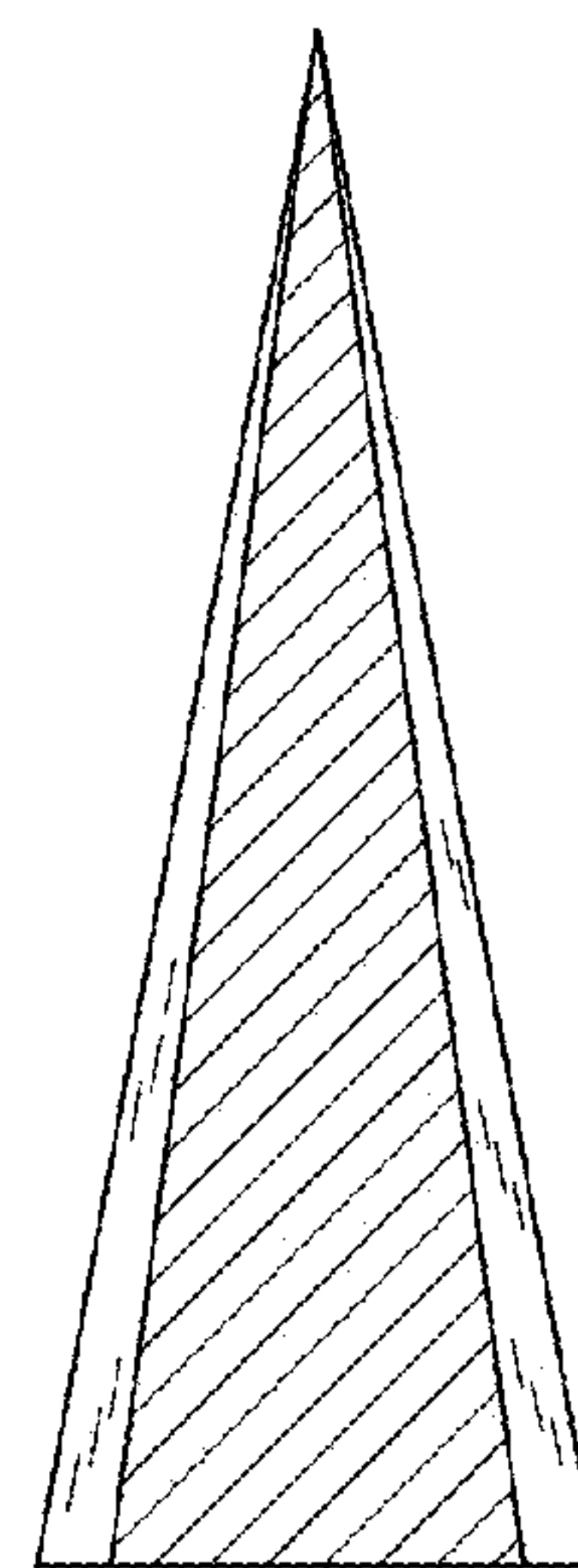


FIG. 4

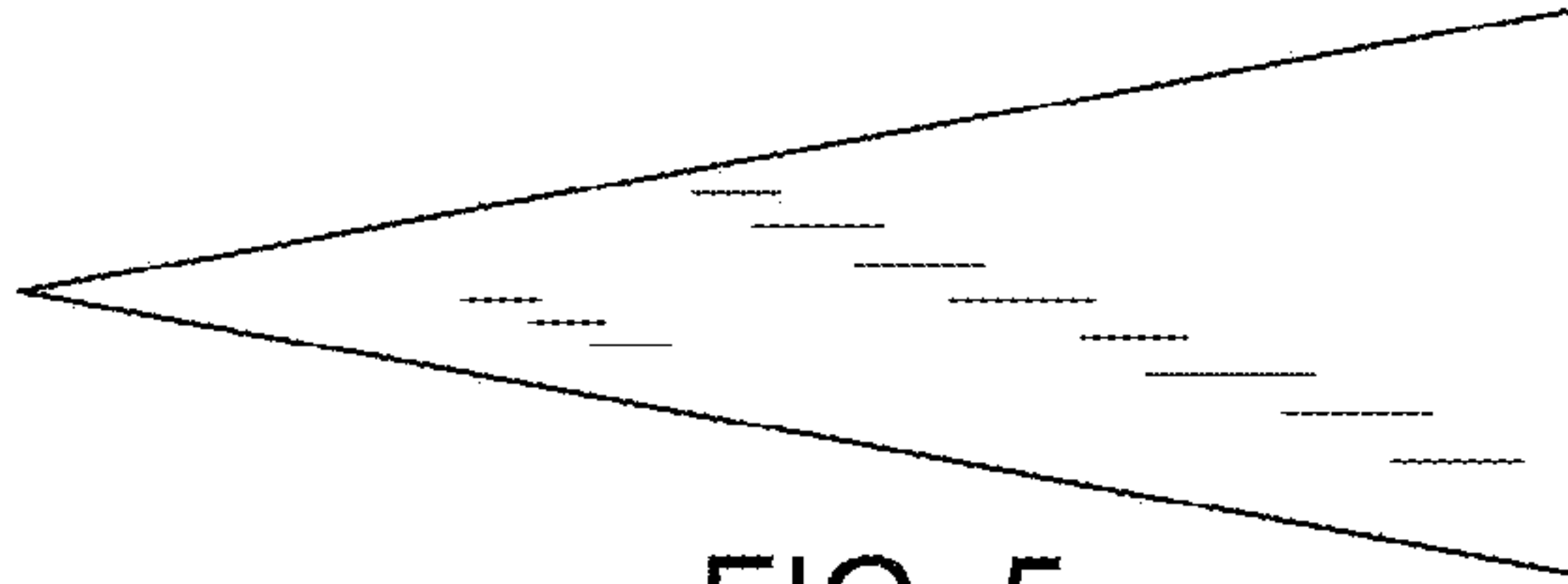


FIG. 5

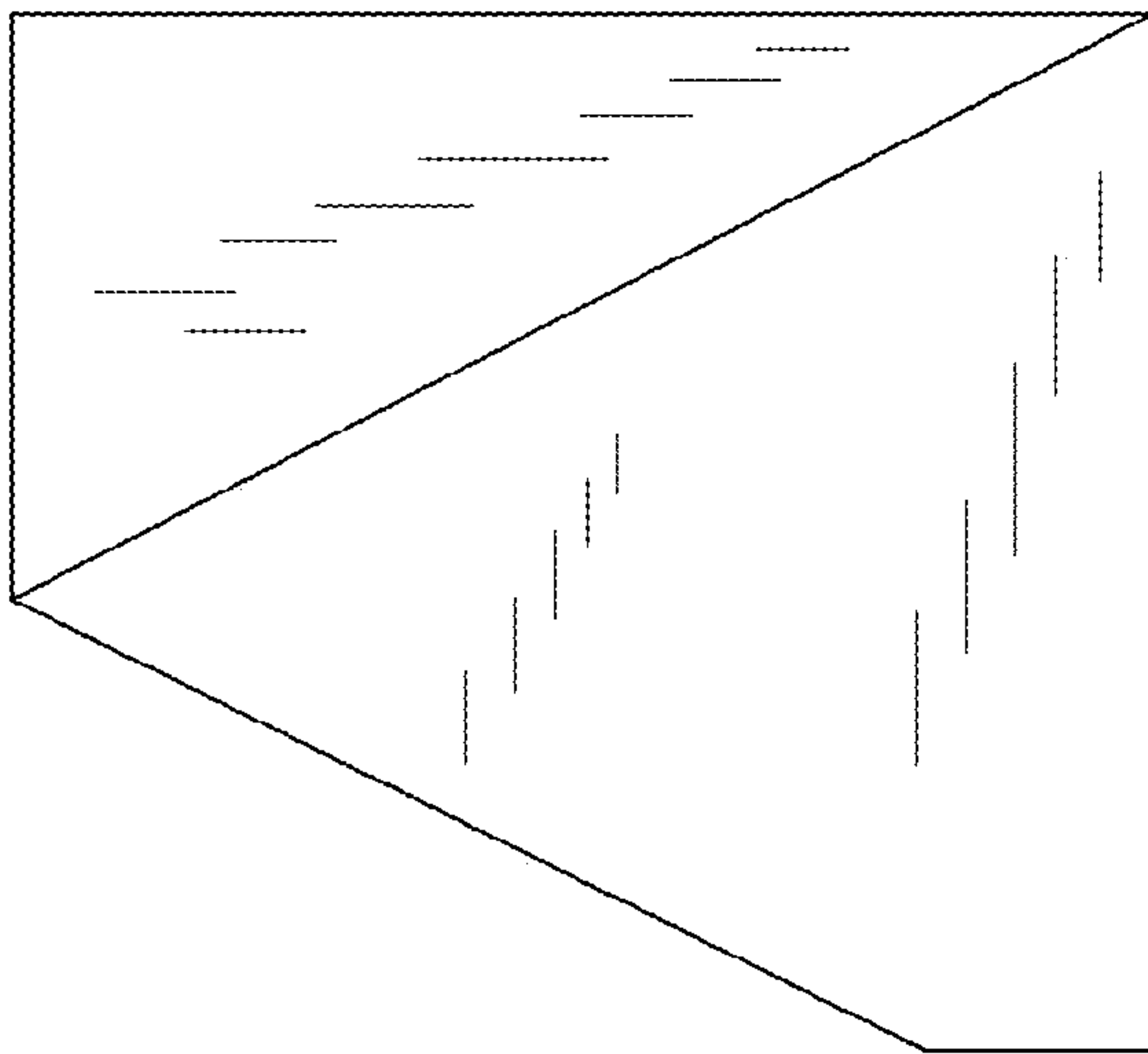


FIG. 6

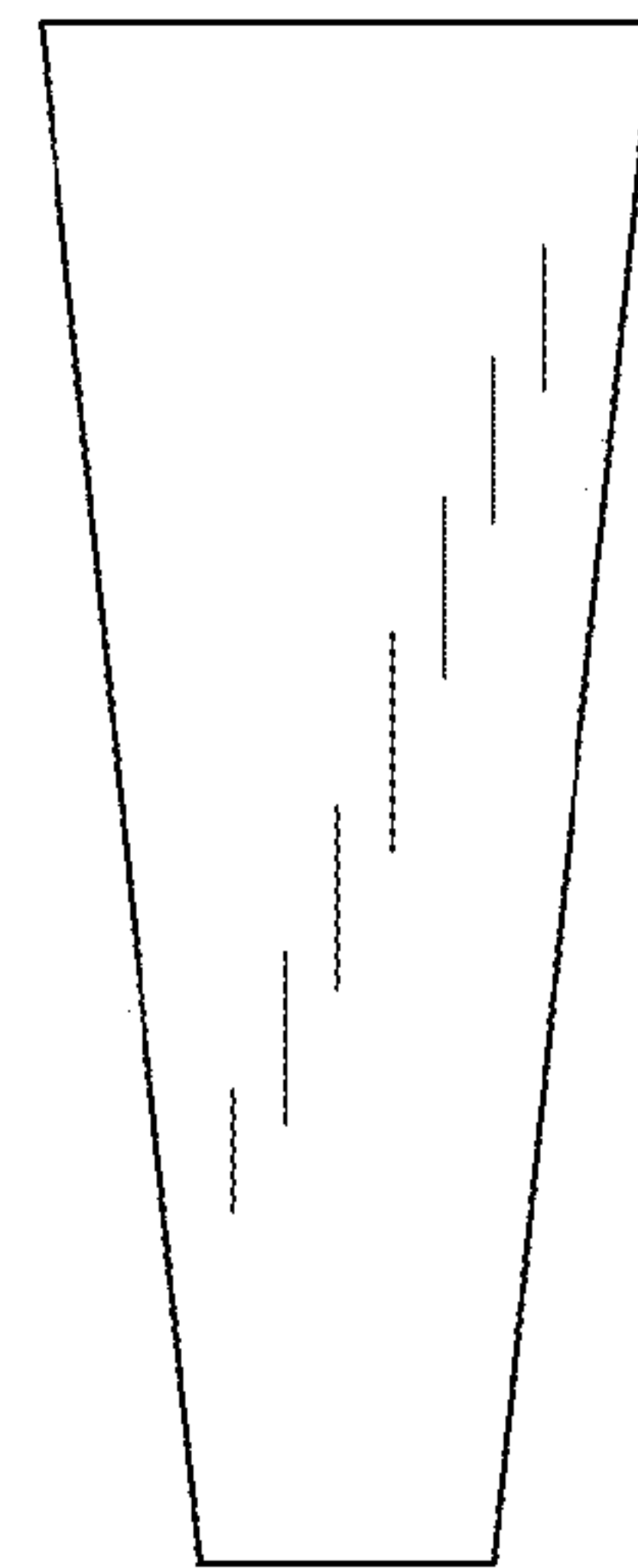


FIG. 7

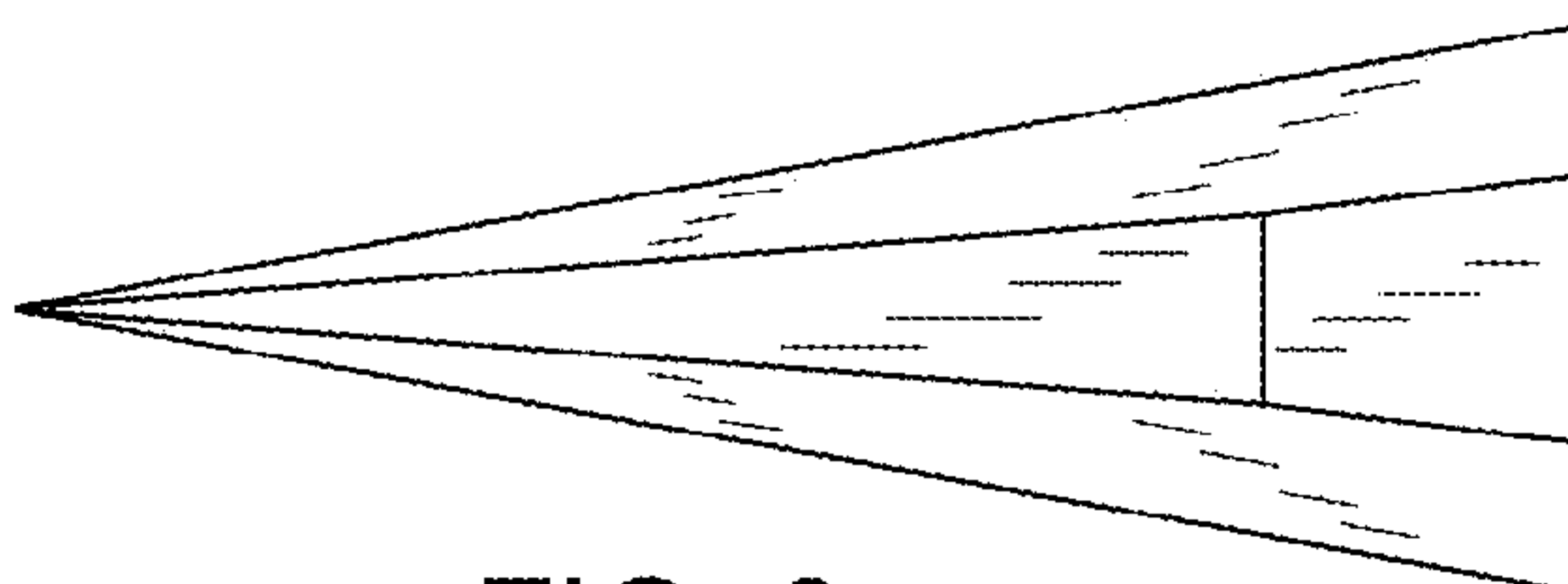


FIG. 8