



US00D691266S

(12) **United States Design Patent**  
**Fink et al.**

(10) **Patent No.:** **US D691,266 S**

(45) **Date of Patent:** **\*\* Oct. 8, 2013**

(54) **MEDICAL PUNCH**

(75) Inventors: **Christian Fink**, Innsbruck (AT); **Sascha Berberich**, Tuttlingen (DE)

(73) Assignee: **Karl Storz GmbH & Co. KG**, Tuttlingen (DE)

(\*\*) Term: **14 Years**

(21) Appl. No.: **29/426,123**

(22) Filed: **Jun. 29, 2012**

(30) **Foreign Application Priority Data**

Dec. 29, 2011 (EM) ..... 001969718-0013

(51) **LOC (9) Cl.** ..... **26-02**

(52) **U.S. Cl.**  
USPC ..... **D24/146**

(58) **Field of Classification Search**  
USPC ..... D24/146, 147, 133, 143-144, 148;  
600/564; 606/167, 170, 172, 174, 142, 184,  
606/205-208

See application file for complete search history.

(56) **References Cited**

U.S. PATENT DOCUMENTS

3,763,860	A *	10/1973	Clarke	.....	128/830
4,597,385	A *	7/1986	Watson	.....	600/564
4,644,951	A *	2/1987	Bays	.....	606/170
D289,883	S *	5/1987	Penaluna	.....	D8/52
4,712,545	A *	12/1987	Honkanen	.....	606/184
5,009,661	A *	4/1991	Michelson	.....	606/170
5,112,346	A *	5/1992	Hiltebrandt et al.	.....	606/170
5,389,104	A *	2/1995	Hahnen et al.	.....	606/174
5,531,756	A *	7/1996	Larose	.....	606/184
5,542,432	A *	8/1996	Slater et al.	.....	600/564
5,571,131	A *	11/1996	Ek et al.	.....	606/184
5,643,307	A *	7/1997	Turkel et al.	.....	606/184
D384,413	S *	9/1997	Zlock et al.	.....	D24/145
5,755,723	A *	5/1998	Lombardo	.....	606/170
5,906,629	A *	5/1999	Oren et al.	.....	606/205
6,024,744	A *	2/2000	Kese et al.	.....	606/51
D548,836	S *	8/2007	Lang et al.	.....	D24/146

D620,593	S *	7/2010	Tran et al.	.....	D24/144
D634,427	S *	3/2011	Nishimura	.....	D24/148
D640,790	S *	6/2011	Nishimura	.....	D24/146
D646,784	S *	10/2011	Solingen et al.	.....	D24/147
D651,310	S *	12/2011	Claypool et al.	.....	D24/133
8,096,956	B2 *	1/2012	George et al.	.....	600/564
8,128,649	B2 *	3/2012	Slater	.....	606/205
D668,337	S *	10/2012	Schurg	.....	D24/144
D669,177	S *	10/2012	Castelnuovo et al.	.....	D24/143
D669,178	S *	10/2012	Castelnuovo et al.	.....	D24/143
8,282,669	B2 *	10/2012	Gerber et al.	.....	606/205
8,382,789	B2 *	2/2013	Weber et al.	.....	606/205
D677,386	S *	3/2013	Bisleri et al.	.....	D24/148

\* cited by examiner

*Primary Examiner* — Ian Simmons

*Assistant Examiner* — Carissa C Fitts

(74) *Attorney, Agent, or Firm* — Muncy, Geissler, Olds & Lowe, PLLC

(57) **CLAIM**

The ornamental design for a medical punch, as shown and described.

**DESCRIPTION**

FIG. 1 is a left side elevational view of a medical punch according to the invention.

FIG. 2 is a right side elevational view of the medical punch of FIG. 1.

FIG. 3 is a front elevational view of the medical punch of FIG. 1.

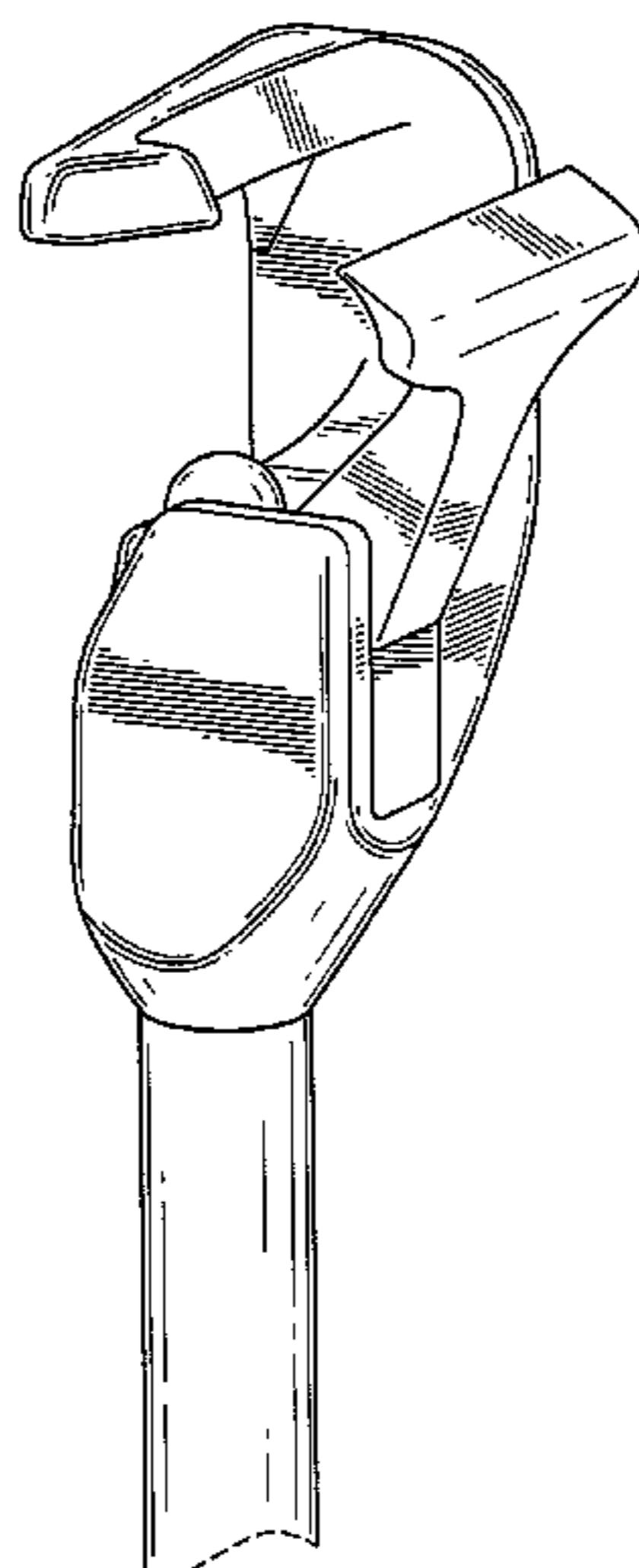
FIG. 4 is a rear elevational view of the medical punch of FIG. 1.

FIG. 5 is a top perspective view of the medical punch of FIG. 1.

FIG. 6 is a bottom perspective view of the medical punch of FIG. 1; and,

FIG. 7 is a three quarter view of the medical punch of FIG. 1. The dashed lines show a boundary of the claim and form no part of the claimed design.

**1 Claim, 7 Drawing Sheets**



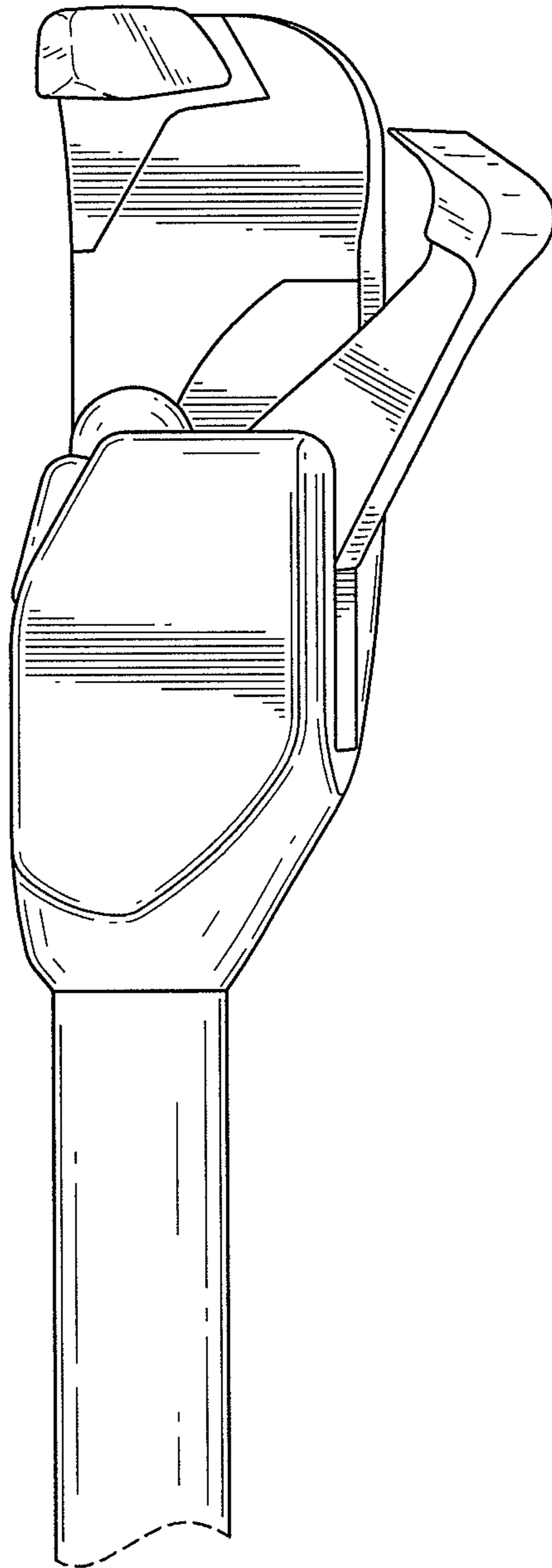


FIG.1

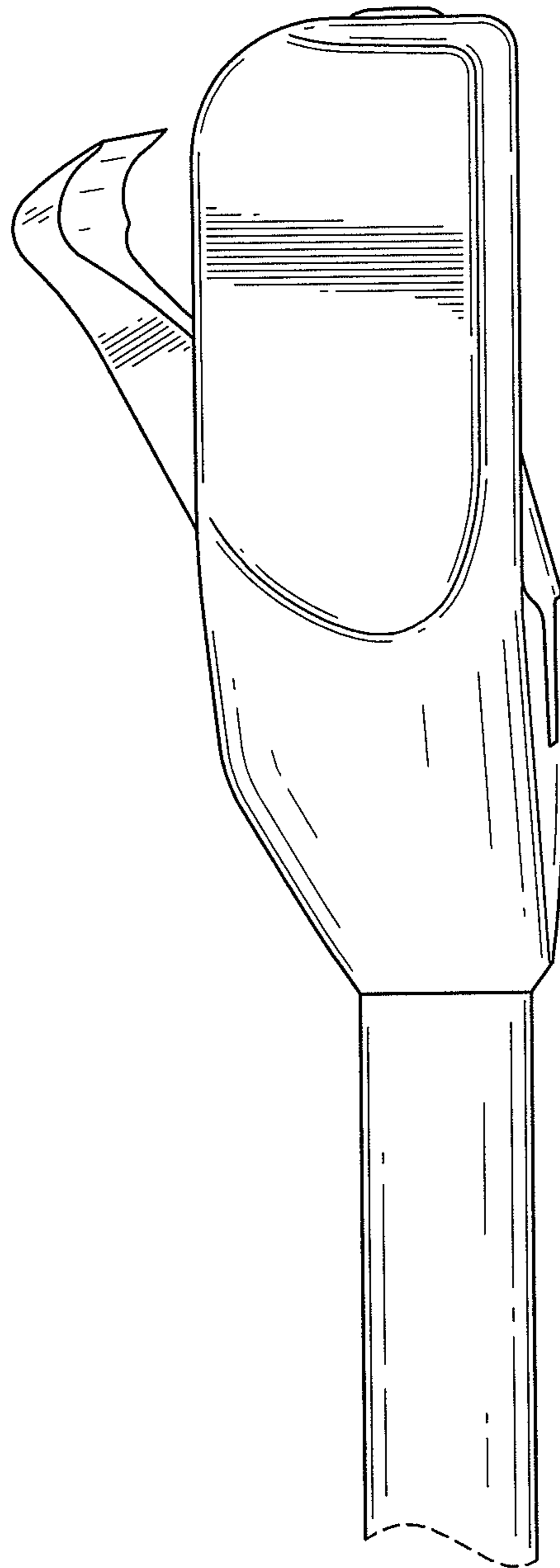


FIG.2

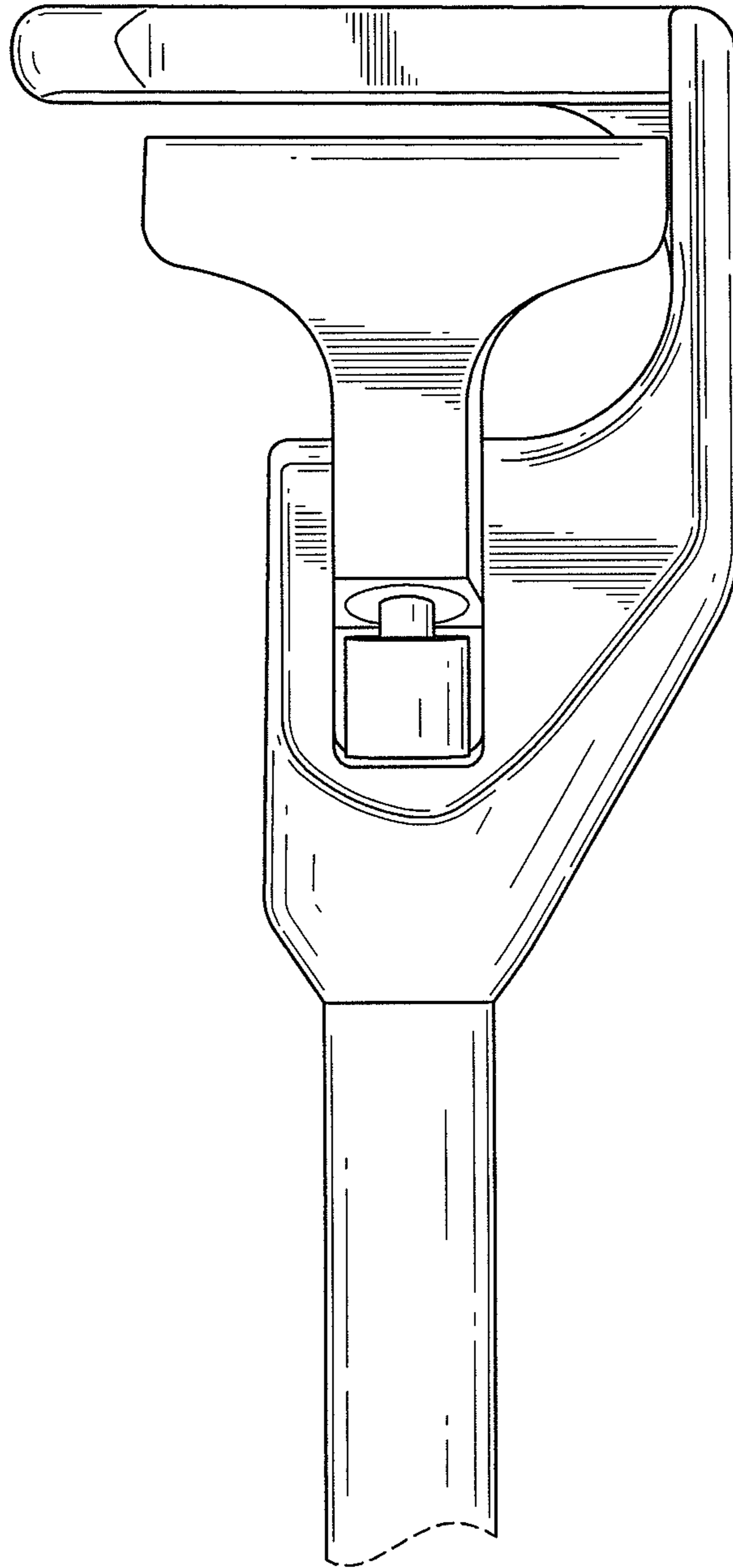


FIG.3

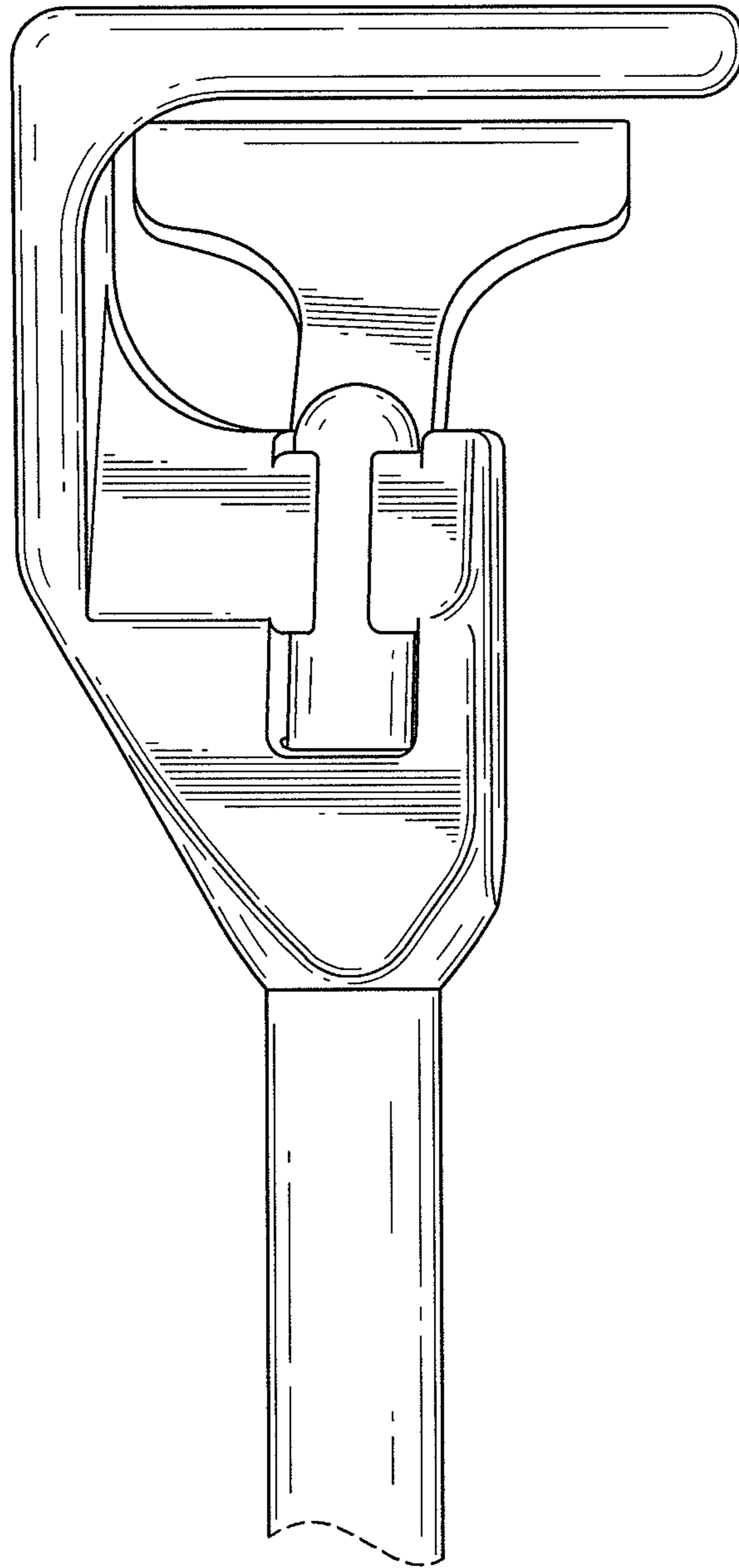


FIG.4

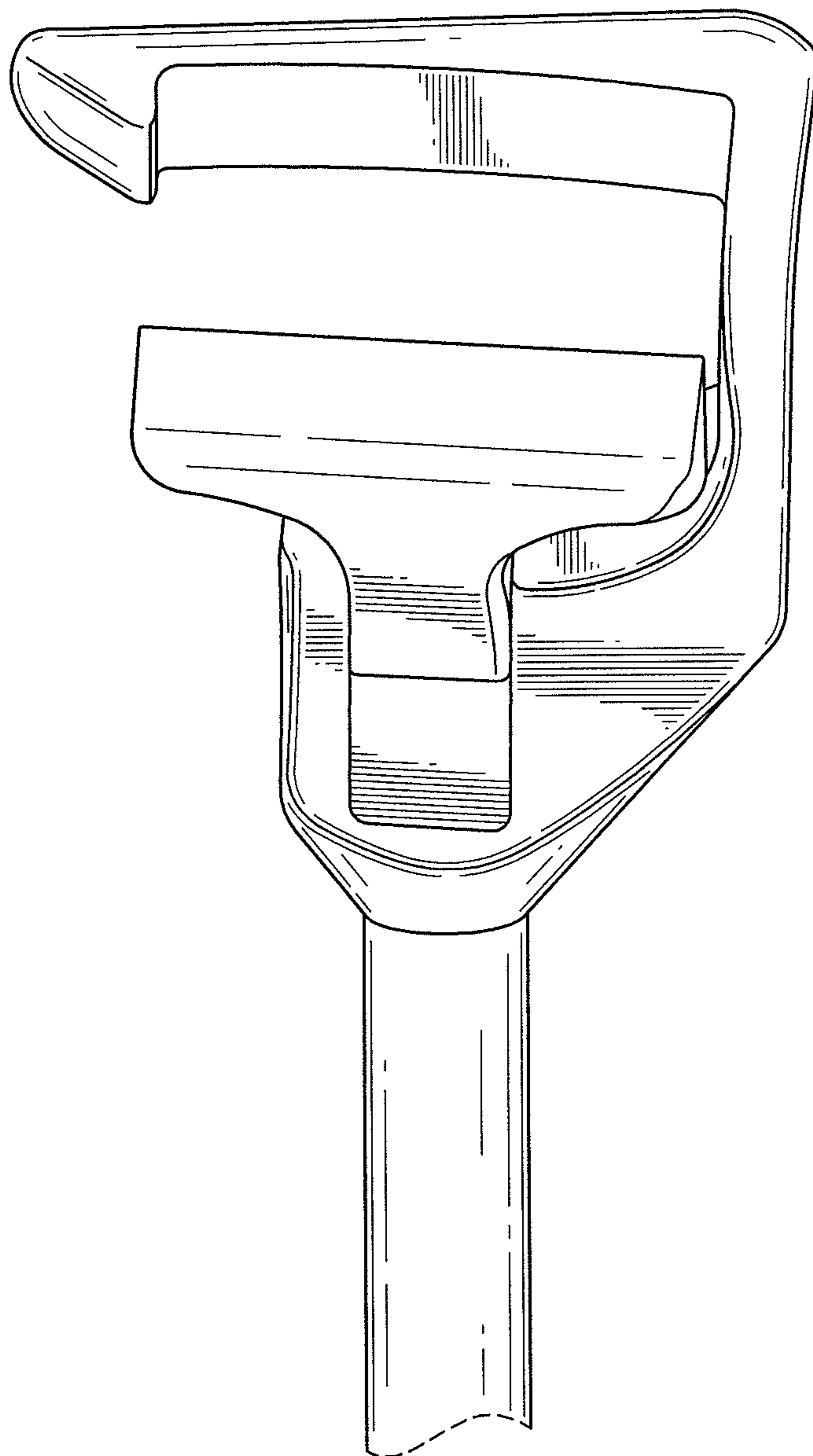


FIG.5

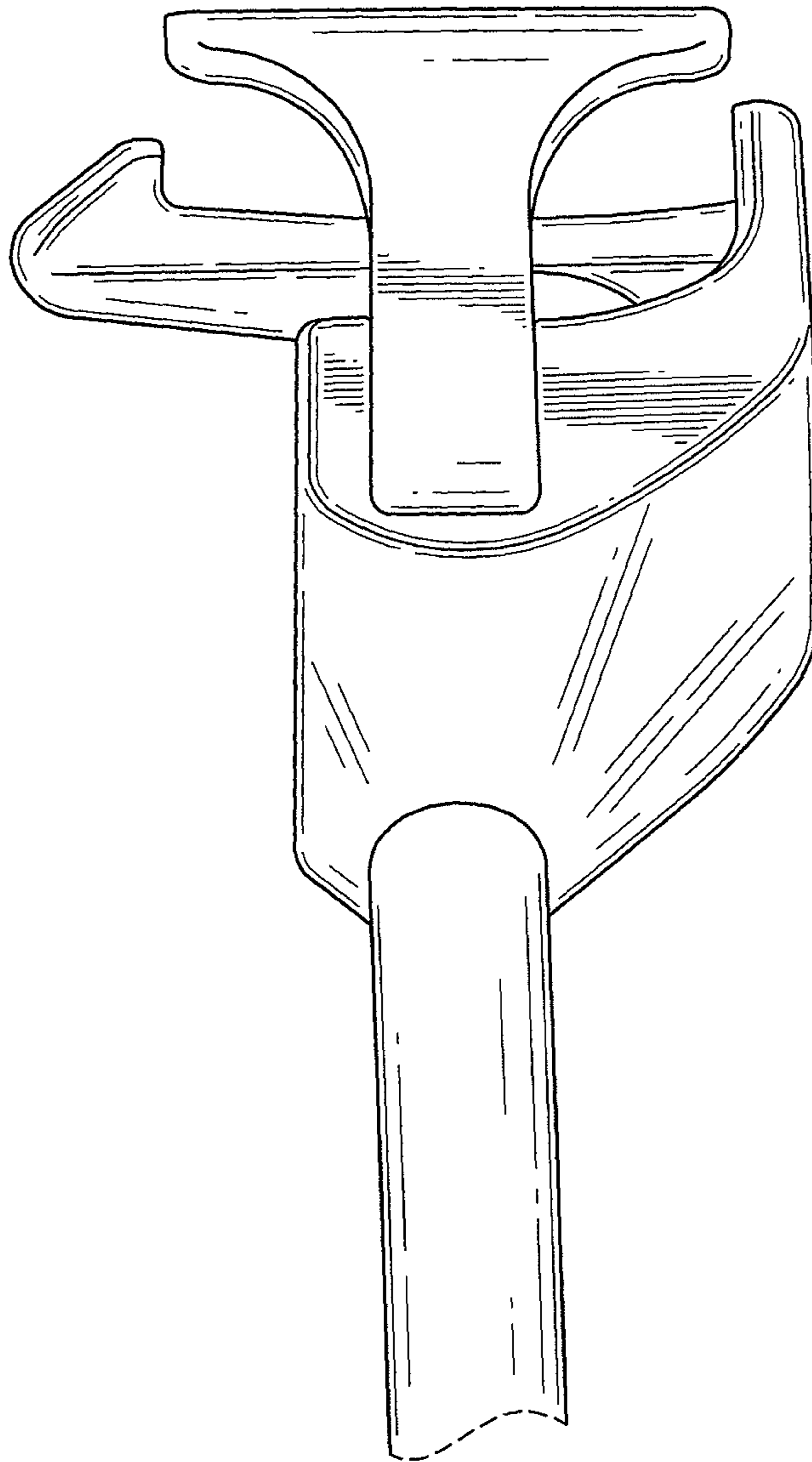


FIG. 6

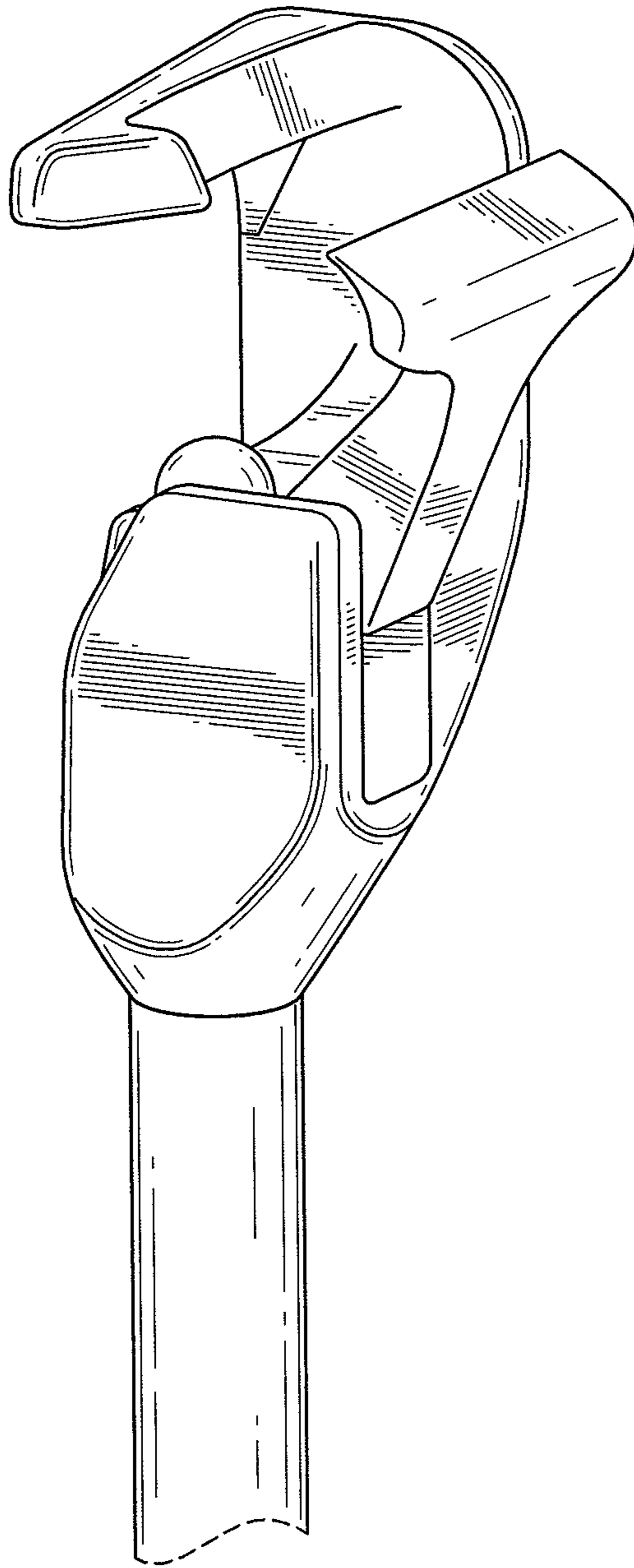


FIG.7