



US00D691265S

(12) **United States Design Patent**  
**O’Leary et al.**

(10) **Patent No.:** **US D691,265 S**  
(45) **Date of Patent:** **\*\* Oct. 8, 2013**

(54) **CONTROL ASSEMBLY FOR PORTABLE SURGICAL DEVICE**

3,776,238 A 12/1973 Peyman et al.  
3,805,787 A 4/1974 Banko  
3,862,630 A 1/1975 Balamuth et al.

(75) Inventors: **Jeremiah O’Leary**, Chicago, IL (US);  
**Derek Dee Deville**, Miami, FL (US);  
**Kevin W. Smith**, Coral Gables, FL (US);  
**Matthew A. Palmer**, Miami, FL (US);  
**Luke Waaler**, Longmont, CO (US)

(Continued)

**FOREIGN PATENT DOCUMENTS**

CN 1634601 A 7/2005  
CN 1640365 A 7/2005

(Continued)

(73) Assignee: **Covidien AG** (CH)

*Primary Examiner* — Ian Simmons  
*Assistant Examiner* — Carissa C Fitts

(\*\*) Term: **14 Years**

(57) **CLAIM**

(21) Appl. No.: **29/404,140**

The ornamental design for a control assembly for portable surgical device, as shown and described.

(22) Filed: **Oct. 17, 2011**  
(Under 37 CFR 1.47)

**DESCRIPTION**

**Related U.S. Application Data**

(62) Division of application No. 13/215,971, filed on Aug. 23, 2011.

(51) **LOC (9) Cl.** ..... **26-02**

(52) **U.S. Cl.**  
USPC ..... **D24/146**

(58) **Field of Classification Search**  
USPC ..... D24/146, 147, 133, 144, 145; 601/1,  
601/2; 604/22; 606/167, 169, 170  
See application file for complete search history.

FIG. 1 is an elevational view of a right side of a control assembly for portable surgical device in accordance with the present design;

FIG. 2 is an elevational view of a left side of the control assembly for portable surgical device of FIG. 1;

FIG. 3 is an elevational view of a rear side of the control assembly for portable surgical device of FIG. 1;

FIG. 4 is an elevational view of a front side of the control assembly for portable surgical device of FIG. 1;

FIG. 5 is an elevational top plan view of the control assembly for portable surgical device of FIG. 1;

FIG. 6 is an elevational bottom plan view of the control assembly for portable surgical device of FIG. 1;

FIG. 7 is a perspective view of the left side of the control assembly for portable surgical device of FIG. 1 from below the front thereof;

FIG. 8 is a perspective view of the right side of the control assembly for portable surgical device of FIG. 1 from above the front thereof; and,

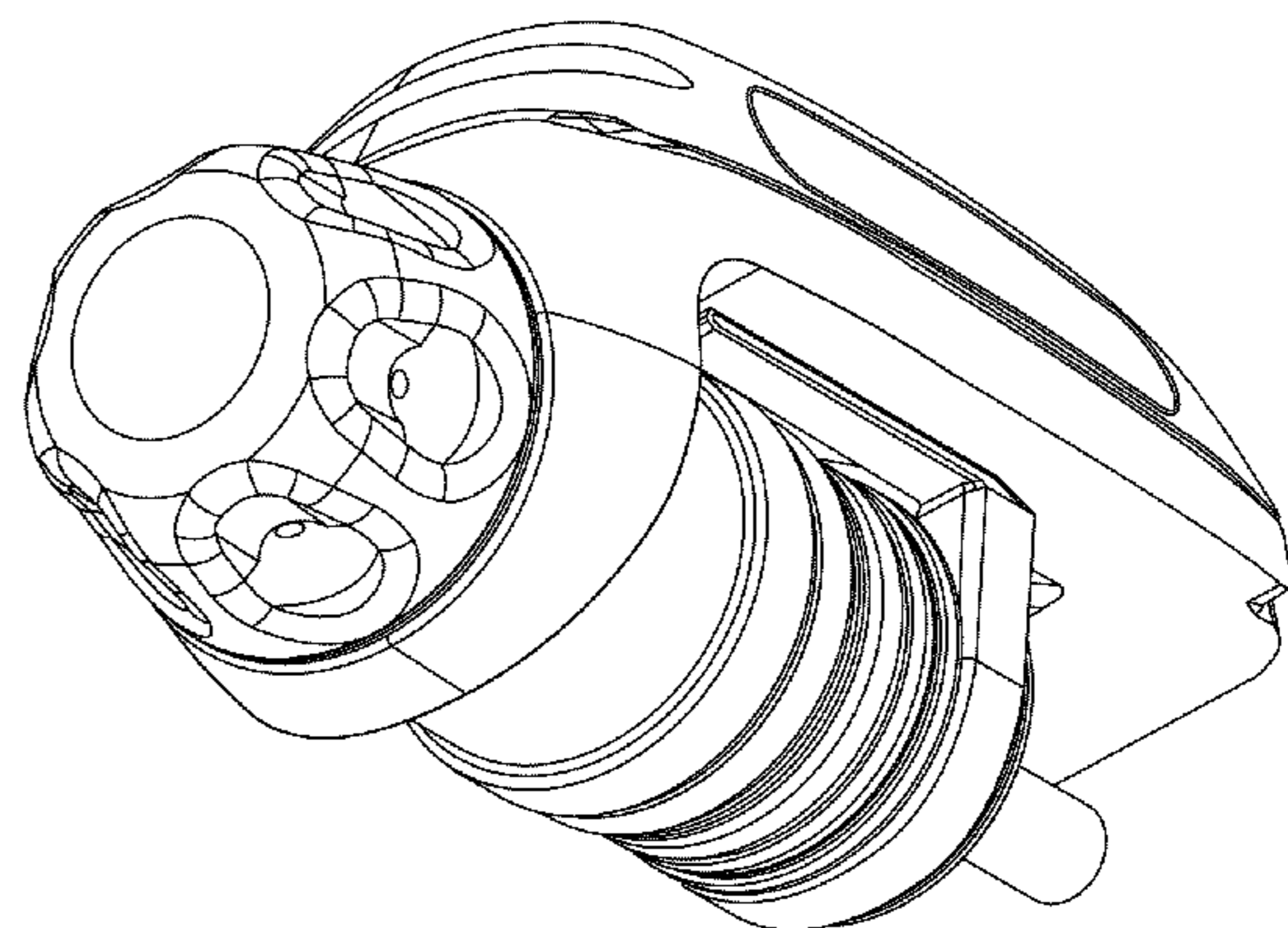
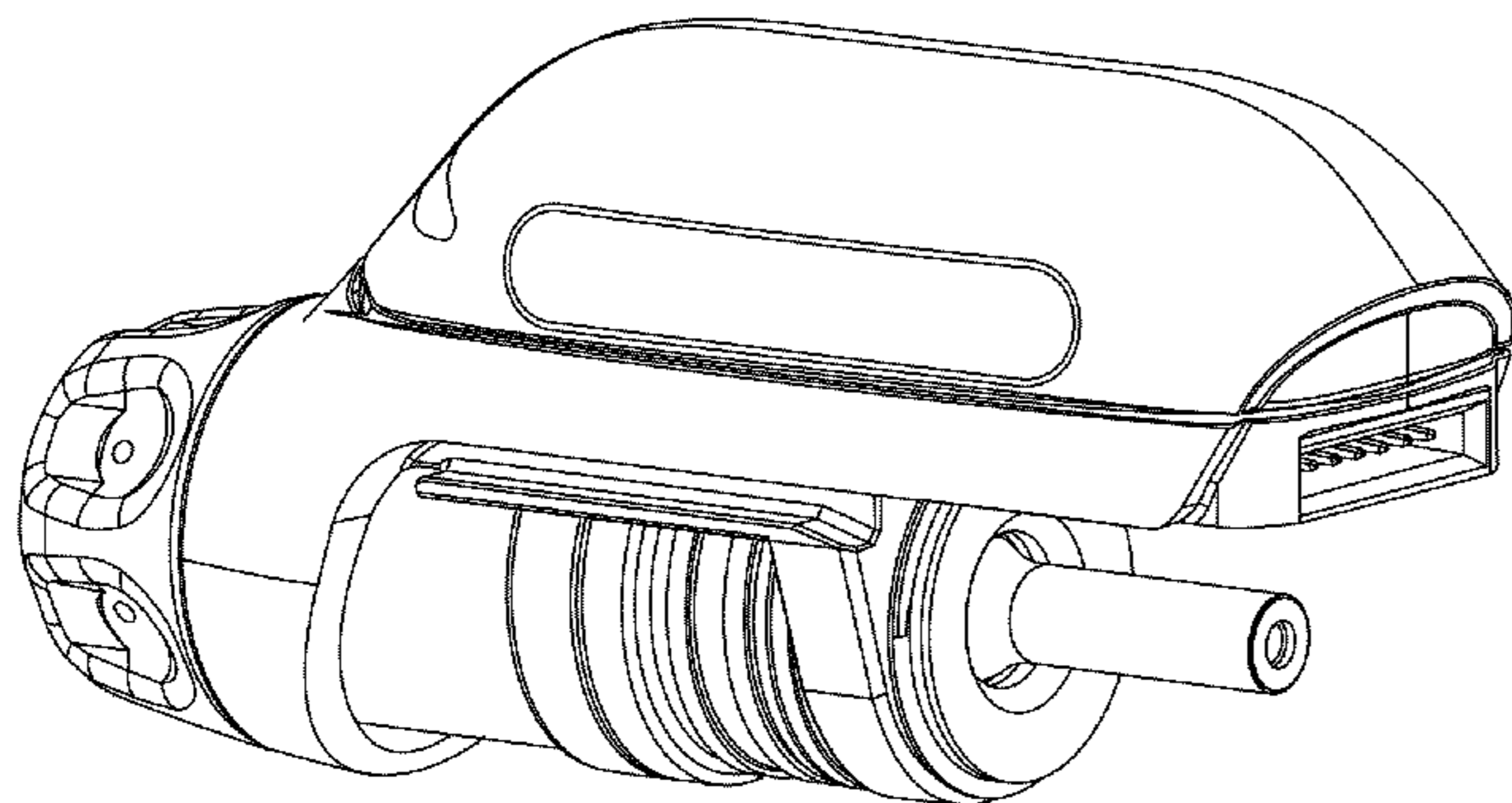
FIG. 9 is a perspective view of the right side of the control assembly for portable surgical device of FIG. 1 from below the rear thereof.

(56) **References Cited**

**U.S. PATENT DOCUMENTS**

2,736,960 A 3/1956 Armstrong  
2,849,788 A 9/1958 Creek  
3,015,961 A 1/1962 Roney  
3,513,848 A 5/1970 Garvey et al.  
3,526,219 A 9/1970 Balamuth  
3,614,484 A 10/1971 Shoh  
3,636,943 A 1/1972 Balamuth

**1 Claim, 5 Drawing Sheets**



(56)

References Cited

U.S. PATENT DOCUMENTS

3,900,823 A	8/1975	Sokal et al.	5,653,713 A	8/1997	Michelson et al.
3,918,442 A	11/1975	Nikolaev et al.	5,669,922 A	9/1997	Hood
3,946,738 A	3/1976	Newton et al.	5,674,235 A	10/1997	Parisi
3,955,859 A	5/1976	Stella	5,690,269 A	11/1997	Bolanos et al.
3,956,826 A	5/1976	Perdreux	5,694,936 A	12/1997	Fujimoto et al.
4,156,187 A	5/1979	Brumbach et al.	5,713,896 A	2/1998	Nardella et al.
4,188,927 A	2/1980	Harris	5,733,074 A	3/1998	Stock et al.
4,200,106 A	4/1980	Douvas et al.	5,741,226 A	4/1998	Strukel et al.
4,445,063 A	4/1984	Smith et al.	5,810,859 A	9/1998	DiMatteo et al.
4,491,132 A	1/1985	Aikins et al.	5,827,323 A	10/1998	Klieman et al.
4,574,615 A	3/1986	Bower	5,828,160 A	10/1998	Sugishita
4,617,927 A	10/1986	Manes et al.	5,843,109 A	12/1998	Mehta et al.
4,633,119 A	12/1986	Thompson et al.	D404,484 S *	1/1999	Lahr et al. .... D24/133
4,634,420 A	1/1987	Spinosa et al.	5,879,364 A	3/1999	Bromfield et al.
4,640,279 A	2/1987	Beard et al.	5,893,835 A	4/1999	Witt et al.
4,708,127 A	11/1987	Abdelghani et al.	5,897,569 A	4/1999	Kellogg et al.
4,712,722 A	12/1987	Hood et al.	5,913,869 A *	6/1999	Reil ..... 606/188
4,827,911 A	5/1989	Broadwin et al.	5,935,143 A	8/1999	Hood
4,832,683 A	5/1989	Idemoto et al.	5,935,144 A	8/1999	Estabrook et al.
4,838,853 A	6/1989	Parisi et al.	5,938,633 A	8/1999	Beaupre
4,850,354 A	7/1989	McGurk-Burleson et al.	5,944,718 A	8/1999	Austin et al.
4,865,159 A	9/1989	Jamison	5,944,737 A	8/1999	Tsonton et al.
4,896,009 A	1/1990	Pawlowski	5,954,736 A	9/1999	Bishop et al.
4,922,902 A	5/1990	Wuchinich et al.	5,954,746 A	9/1999	Holthaus et al.
4,965,532 A	10/1990	Sakurai	5,957,882 A	9/1999	Nita et al.
4,981,756 A	1/1991	Rhandhawa	5,957,943 A	9/1999	Vaitekunas
5,026,387 A	6/1991	Thomas et al.	5,968,007 A	10/1999	Simon et al.
5,112,300 A	5/1992	Ureche et al.	5,968,060 A	10/1999	Kellogg
5,123,903 A	6/1992	Quaid et al.	D416,089 S	11/1999	Barton et al.
5,126,618 A	6/1992	Takahashi et al.	5,980,510 A	11/1999	Tsonton et al.
5,162,044 A	11/1992	Gahn et al.	5,989,274 A	11/1999	Davison et al.
5,167,725 A	12/1992	Clark et al.	5,989,275 A	11/1999	Estabrook et al.
D332,660 S	1/1993	Rawson et al.	5,993,972 A	11/1999	Reich et al.
5,176,695 A	1/1993	Dulebohn	6,024,741 A	2/2000	Williamson et al.
5,184,605 A	2/1993	Grzeszykowski	6,024,750 A	2/2000	Mastri et al.
5,213,569 A	5/1993	Davis	6,033,375 A	3/2000	Brumbach et al.
5,221,282 A	6/1993	Wuchinich et al.	6,036,667 A	3/2000	Manna et al.
5,226,910 A	7/1993	Kajiyama et al.	6,063,098 A	5/2000	Houser et al.
5,241,236 A	8/1993	Sasaki et al.	6,066,132 A	5/2000	Chen et al.
5,257,988 A	11/1993	L'Esperance	6,068,647 A	5/2000	Witt et al.
5,261,922 A	11/1993	Hood et al.	6,077,285 A	6/2000	Boukhny
5,263,957 A	11/1993	Davison et al.	6,083,191 A	7/2000	Rose et al.
5,275,609 A	1/1994	Pingleton et al.	6,086,584 A	7/2000	Miller
5,282,800 A	2/1994	Foshee	6,090,120 A	7/2000	Wright et al.
5,304,115 A	4/1994	Pflueger et al.	6,109,500 A	8/2000	Alli et al.
D347,474 S	5/1994	Olson	6,110,127 A	8/2000	Suzuki
5,322,055 A	6/1994	Davison et al.	6,113,594 A	9/2000	Savage
5,324,299 A	6/1994	Davison et al.	6,113,618 A *	9/2000	Nic ..... 606/176
5,344,420 A	9/1994	Hilal et al.	6,139,320 A	10/2000	Hahn
5,346,502 A	9/1994	Estabrook et al.	6,152,902 A	11/2000	Christian et al.
5,366,466 A	11/1994	Christian	6,159,160 A	12/2000	Hsei et al.
D353,888 S *	12/1994	Raines ..... D24/146	6,159,175 A	12/2000	Strukel et al.
D354,564 S	1/1995	Medema	6,204,592 B1	3/2001	Hur
5,381,067 A	1/1995	Greenstein	6,206,844 B1	3/2001	Reichel et al.
5,403,312 A	4/1995	Yates et al.	6,210,403 B1	4/2001	Klicek
5,411,481 A	5/1995	Allen et al.	6,214,023 B1	4/2001	Whipple et al.
5,419,761 A	5/1995	Narayanan et al.	6,233,476 B1	5/2001	Strommer et al.
5,421,829 A	6/1995	Olichney et al.	6,238,366 B1	5/2001	Savage et al.
5,449,370 A	9/1995	Vaitekunas	D444,365 S	7/2001	Bass
D364,463 S *	11/1995	Pitzen et al. .... D24/146	6,254,623 B1	7/2001	Haibel, Jr. et al.
5,483,501 A	1/1996	Park et al.	6,258,034 B1	7/2001	Hanafy
5,486,162 A	1/1996	Brumbach et al.	6,267,761 B1	7/2001	Ryan
5,500,216 A	3/1996	Julian	6,270,831 B2	8/2001	Kumar et al.
5,501,654 A	3/1996	Failla et al.	6,273,852 B1	8/2001	Lehe et al.
5,505,693 A	4/1996	Mackool et al.	6,274,963 B1	8/2001	Estabrook et al.
5,562,609 A	10/1996	Brumbach et al.	6,277,115 B1	8/2001	Saadat
5,562,610 A	10/1996	Brumbach et al.	6,278,218 B1	8/2001	Madan et al.
D377,094 S *	12/1996	Foshee et al. .... D24/143	6,283,981 B1	9/2001	Beaupre
5,601,601 A	2/1997	Tal et al.	6,309,400 B2	10/2001	Beaupre
5,607,436 A	3/1997	Pratt et al.	6,319,221 B1	11/2001	Savage et al.
5,618,492 A	4/1997	Auten	6,325,811 B1	12/2001	Messerly
5,628,760 A	5/1997	Knoepfler et al.	6,328,751 B1	12/2001	Beaupre
5,630,420 A	5/1997	Vaitekunas	6,352,532 B1	3/2002	Kramer et al.
D381,077 S	7/1997	Hunt	6,379,320 B1	4/2002	Lafon et al.
5,651,780 A	7/1997	Jackson et al.	D457,958 S	5/2002	Dycus et al.
			6,383,194 B1	5/2002	Pothula
			6,387,109 B1	5/2002	Davison et al.
			6,388,657 B1	5/2002	Natoli
			6,391,042 B1	5/2002	Cimino

# US D691,265 S

6,405,733 B1	6/2002	Fogarty et al.	7,112,201 B2	9/2006	Truckai et al.
6,416,486 B1	7/2002	Wampler	7,118,564 B2	10/2006	Ritchie et al.
6,423,073 B2	7/2002	Bowman	7,124,932 B2	10/2006	Isaacson et al.
6,423,082 B1	7/2002	Houser et al.	7,125,409 B2	10/2006	Truckai et al.
6,432,118 B1	8/2002	Messerly	7,135,018 B2	11/2006	Ryan et al.
6,436,114 B1	8/2002	Novak et al.	7,135,030 B2	11/2006	Schwemberger et al.
6,436,115 B1	8/2002	Beaupre	7,153,315 B2	12/2006	Miller
6,443,969 B1	9/2002	Novak et al.	D536,093 S	1/2007	Nakajima et al.
6,454,781 B1	9/2002	Witt et al.	7,156,189 B1	1/2007	Bar-Cohen et al.
6,454,782 B1	9/2002	Schwemberger	7,156,853 B2	1/2007	Muratsu
6,458,142 B1	10/2002	Faller et al.	7,157,058 B2	1/2007	Marhasin et al.
D466,213 S *	11/2002	Snitkin et al. .... D24/145	7,159,750 B2	1/2007	Racenet et al.
6,480,796 B2	11/2002	Wiener	7,163,548 B2	1/2007	Stulen et al.
6,485,490 B2	11/2002	Wampler et al.	7,169,146 B2	1/2007	Truckai et al.
6,491,708 B2	12/2002	Madan et al.	7,172,104 B2 *	2/2007	Scirica et al. .... 227/175.2
6,497,715 B2	12/2002	Satou	7,179,271 B2	2/2007	Friedman et al.
6,500,176 B1	12/2002	Truckai et al.	7,186,253 B2	3/2007	Truckai et al.
6,500,188 B2	12/2002	Harper et al.	7,189,233 B2	3/2007	Truckai et al.
6,524,316 B1	2/2003	Nicholson et al.	7,204,820 B2	4/2007	Akahoshi
6,533,784 B2	3/2003	Truckai et al.	7,220,951 B2	5/2007	Truckai et al.
6,537,291 B2	3/2003	Friedman et al.	7,223,229 B2	5/2007	Inman et al.
6,543,452 B1	4/2003	Lavigne	7,229,455 B2	6/2007	Sakurai et al.
6,543,456 B1	4/2003	Freeman	7,273,483 B2	9/2007	Wiener et al.
6,544,260 B1	4/2003	Markel et al.	7,309,849 B2	12/2007	Truckai et al.
6,561,983 B2	5/2003	Cronin et al.	7,311,709 B2	12/2007	Truckai et al.
6,572,632 B2	6/2003	Zisterer et al.	7,317,955 B2	1/2008	McGreevy
6,575,969 B1	6/2003	Rittman, III et al.	7,326,236 B2	2/2008	Andreas et al.
6,582,451 B1	6/2003	Marucci et al.	7,331,410 B2	2/2008	Yong et al.
6,589,200 B1	7/2003	Schwemberger et al.	7,353,068 B2	4/2008	Tanaka et al.
6,589,239 B2	7/2003	Khandkar et al.	7,354,440 B2	4/2008	Truckal et al.
D478,986 S *	8/2003	Johnston et al. .... D24/133	7,380,695 B2	6/2008	Doll et al.
6,616,450 B2	9/2003	Mössle et al.	7,381,209 B2	6/2008	Truckai et al.
6,623,501 B2	9/2003	Heller et al.	7,390,317 B2	6/2008	Taylor et al.
6,626,926 B2	9/2003	Friedman et al.	D575,401 S *	8/2008	Hixson et al. .... D24/144
6,633,234 B2	10/2003	Wiener et al.	7,408,288 B2	8/2008	Hara
6,656,177 B2	12/2003	Truckai et al.	D576,725 S	9/2008	Shumer et al.
6,662,127 B2	12/2003	Wiener et al.	D578,643 S	10/2008	Shumer et al.
6,663,941 B2	12/2003	Brown et al.	D578,644 S	10/2008	Shumer et al.
6,676,660 B2	1/2004	Wampler et al.	D578,645 S	10/2008	Shumer et al.
6,678,621 B2	1/2004	Wiener et al.	7,431,704 B2	10/2008	Babaev
6,679,899 B2	1/2004	Wiener et al.	D582,038 S *	12/2008	Swoyer et al. .... D24/144
6,682,544 B2	1/2004	Mastri et al.	D583,051 S *	12/2008	Lee et al. .... D24/133
6,716,215 B1	4/2004	David et al.	7,472,815 B2	1/2009	Shelton, IV et al.
6,731,047 B2	5/2004	Kauf et al.	7,479,148 B2	1/2009	Beaupré
6,733,506 B1	5/2004	McDevitt et al.	7,479,160 B2	1/2009	Branch et al.
6,762,535 B2	7/2004	Take et al.	D586,916 S *	2/2009	Faulkner et al. .... D24/146
6,770,072 B1	8/2004	Truckai et al.	7,494,468 B2	2/2009	Rabiner et al.
6,773,444 B2	8/2004	Messerly	7,503,893 B2	3/2009	Kucklick
6,786,382 B1	9/2004	Hoffman	7,534,243 B1	5/2009	Chin et al.
6,786,383 B2	9/2004	Stegelmann	D594,983 S	6/2009	Price et al.
6,790,216 B1	9/2004	Ishikawa	7,567,012 B2	7/2009	Namikawa
6,802,843 B2	10/2004	Truckai et al.	D618,797 S	6/2010	Price et al.
6,828,712 B2	12/2004	Battaglin et al.	D620,593 S *	7/2010	Tran et al. .... D24/144
6,869,439 B2	3/2005	White et al.	7,751,115 B2	7/2010	Song
6,875,220 B2	4/2005	Du et al.	7,770,774 B2	8/2010	Mastri et al.
6,905,497 B2	6/2005	Truckai et al.	7,780,659 B2	8/2010	Okada et al.
6,908,472 B2	6/2005	Wiener et al.	7,799,028 B2 *	9/2010	Schechter et al. .... 606/51
6,913,579 B2	7/2005	Truckai et al.	7,799,039 B2 *	9/2010	Shelton et al. .... 606/142
6,926,716 B2	8/2005	Baker et al.	D631,155 S	1/2011	Peine et al.
6,929,632 B2	8/2005	Nita et al.	7,876,030 B2	1/2011	Taki et al.
6,929,644 B2	8/2005	Truckai et al.	D631,965 S	2/2011	Price et al.
D509,589 S	9/2005	Wells	7,892,606 B2	2/2011	Thies et al.
6,945,981 B2	9/2005	Donofrio et al.	7,901,423 B2	3/2011	Stulen et al.
D511,145 S	11/2005	Donofrio et al.	7,935,052 B2 *	5/2011	Dumbauld ..... 600/205
6,976,844 B2	12/2005	Hickok et al.	D640,789 S *	6/2011	Peine et al. .... D24/133
6,976,969 B2	12/2005	Messerly	7,959,050 B2	6/2011	Smith et al.
6,977,495 B2	12/2005	Donofrio	7,959,626 B2	6/2011	Hong et al.
6,984,220 B2	1/2006	Wuchinich	7,976,544 B2	7/2011	McClurken et al.
7,011,657 B2	3/2006	Truckai et al.	8,038,693 B2 *	10/2011	Allen ..... 606/169
7,041,083 B2	5/2006	Chu et al.	8,057,498 B2	11/2011	Robertson
7,041,088 B2	5/2006	Nawrocki et al.	8,058,771 B2	11/2011	Giordano et al.
7,041,102 B2	5/2006	Truckai et al.	8,142,473 B2 *	3/2012	Cunningham ..... 606/205
7,070,597 B2	7/2006	Truckai et al.	8,167,185 B2 *	5/2012	Shelton et al. .... 227/175.1
7,074,219 B2	7/2006	Levine et al.	8,267,945 B2 *	9/2012	Nguyen et al. .... 606/143
7,077,039 B2	7/2006	Gass et al.	8,274,273 B2 *	9/2012	Nguyen et al. .... 324/126
7,077,853 B2	7/2006	Kramer et al.	D668,337 S *	10/2012	Schurg ..... D24/144
7,083,619 B2	8/2006	Truckai et al.	8,292,152 B2 *	10/2012	Milliman et al. .... 227/175.1
7,087,054 B2	8/2006	Truckai et al.	8,292,155 B2 *	10/2012	Shelton et al. .... 227/176.1
7,108,695 B2	9/2006	Witt et al.	8,298,232 B2 *	10/2012	Unger ..... 606/51

# US D691,265 S

Page 4

8,328,822	B2 *	12/2012	Huitema et al. ....	606/142	2008/0281200	A1	11/2008	Voic et al.
8,338,726	B2 *	12/2012	Palmer et al. ....	200/1 B	2008/0287948	A1	11/2008	Newton et al.
8,342,377	B2 *	1/2013	Milliman et al. ....	227/175.2	2009/0030311	A1	1/2009	Stulen et al.
8,361,072	B2 *	1/2013	Dumbauld et al. ....	606/51	2009/0030351	A1	1/2009	Wiener et al.
8,372,099	B2 *	2/2013	Deville et al. ....	606/169	2009/0030437	A1	1/2009	Houser et al.
8,377,085	B2 *	2/2013	Smith et al. ....	606/169	2009/0030438	A1	1/2009	Stulen
2001/0025184	A1	9/2001	Messerly		2009/0030439	A1	1/2009	Stulen
2001/0031950	A1	10/2001	Ryan		2009/0036911	A1	2/2009	Stulen
2001/0039419	A1	11/2001	Francischelli et al.		2009/0036912	A1	2/2009	Wiener et al.
2002/0002377	A1	1/2002	Cimino		2009/0036913	A1	2/2009	Wiener et al.
2002/0019649	A1	2/2002	Sikora et al.		2009/0036914	A1	2/2009	Houser
2002/0022836	A1	2/2002	Goble et al.		2009/0076506	A1	3/2009	Baker
2002/0077550	A1	6/2002	Rabiner et al.		2009/0082716	A1	3/2009	Akahoshi
2002/0156493	A1	10/2002	Houser et al.		2009/0105750	A1	4/2009	Price et al.
2003/0055443	A1	3/2003	Spotnitz		2009/0118802	A1	5/2009	Mioduski et al.
2003/0212332	A1	11/2003	Fenton et al.		2009/0143806	A1	6/2009	Witt et al.
2004/0030254	A1	2/2004	Babaev		2009/0270853	A1	10/2009	Yachi et al.
2004/0047485	A1	3/2004	Sherrit et al.		2010/0036370	A1	2/2010	Mirel et al.
2004/0092921	A1	5/2004	Kadziauskas et al.		2010/0036405	A1	2/2010	Giordano et al.
2004/0097919	A1	5/2004	Wellman et al.		2010/0158307	A1	6/2010	Kubota et al.
2004/0097996	A1	5/2004	Rabiner et al.		2010/0179577	A1	7/2010	Houser
2004/0199193	A1	10/2004	Hayashi		2010/0187283	A1	7/2010	Crainich et al.
2004/0204728	A1	10/2004	Haefner		2010/0298743	A1	11/2010	Nield et al.
2004/0243157	A1	12/2004	Connor et al.		2010/0298851	A1	11/2010	Nield
2004/0260300	A1	12/2004	Gorensek et al.		2010/0331869	A1	12/2010	Voegele et al.
2005/0033337	A1	2/2005	Muir et al.		2010/0331870	A1	12/2010	Wan et al.
2005/0049546	A1	3/2005	Messerly et al.		2010/0331871	A1	12/2010	Nield et al.
2005/0143769	A1	6/2005	White et al.		2010/0331872	A1	12/2010	Houser et al.
2005/0149108	A1	7/2005	Cox		2011/0009850	A1	1/2011	Main et al.
2005/0165345	A1	7/2005	Lauffer et al.		2011/0015627	A1	1/2011	DiNardo et al.
2005/0177184	A1	8/2005	Easley		2011/0015631	A1	1/2011	Wiener et al.
2005/0192610	A1	9/2005	Houser et al.		2011/0015660	A1	1/2011	Wiener et al.
2005/0209620	A1	9/2005	Du et al.		2011/0082486	A1	4/2011	Messerly et al.
2005/0261581	A1	11/2005	Hughes et al.		2011/0087212	A1	4/2011	Aldridge et al.
2005/0261588	A1	11/2005	Makin et al.		2011/0087213	A1	4/2011	Messerly et al.
2005/0288659	A1	12/2005	Kimura et al.		2011/0087214	A1	4/2011	Giordano et al.
2006/0030797	A1	2/2006	Zhou et al.		2011/0087215	A1	4/2011	Aldridge et al.
2006/0063130	A1	3/2006	Hayman et al.		2011/0087216	A1	4/2011	Aldridge et al.
2006/0079878	A1	4/2006	Houser		2011/0087217	A1	4/2011	Yates et al.
2006/0084963	A1	4/2006	Messerly		2011/0087218	A1	4/2011	Boudreaux et al.
2006/0190034	A1	8/2006	Nishizawa et al.		2011/0087256	A1	4/2011	Wiener et al.
2006/0211943	A1	9/2006	Beaupre		2011/0092972	A1	4/2011	Allen
2006/0235306	A1	10/2006	Cotter et al.		2011/0125175	A1	5/2011	Stulen et al.
2006/0253050	A1	11/2006	Yoshimine et al.		2011/0196286	A1	8/2011	Robertson et al.
2007/0016235	A1	1/2007	Tanaka et al.		2011/0196287	A1	8/2011	Robertson et al.
2007/0016236	A1	1/2007	Beaupre		2011/0196398	A1	8/2011	Robertson et al.
2007/0055228	A1	3/2007	Berg et al.		2011/0196399	A1	8/2011	Robertson et al.
2007/0060915	A1	3/2007	Kucklick		2011/0196400	A1	8/2011	Robertson et al.
2007/0063618	A1	3/2007	Bromfield		2011/0196401	A1	8/2011	Robertson et al.
2007/0129716	A1	6/2007	Daw et al.		2011/0196402	A1	8/2011	Robertson et al.
2007/0130771	A1	6/2007	Ehlert et al.		2011/0196403	A1	8/2011	Robertson et al.
2007/0131034	A1	6/2007	Ehlert et al.		2011/0196404	A1	8/2011	Dietz et al.
2007/0149881	A1	6/2007	Rabin		2011/0196405	A1	8/2011	Dietz
2007/0162050	A1	7/2007	Sartor		2011/0288452	A1	11/2011	Houser et al.
2007/0173872	A1	7/2007	Neuenfeldt		2012/0029546	A1	2/2012	Robertson
2007/0185380	A1	8/2007	Kucklick					
2007/0219481	A1	9/2007	Babaev					
2007/0249941	A1	10/2007	Salehi et al.					
2007/0260234	A1	11/2007	McCullagh et al.					
2007/0265560	A1	11/2007	Soltani et al.					
2007/0275348	A1	11/2007	Lemon					
2007/0282335	A1	12/2007	Young et al.					
2007/0287933	A1	12/2007	Phan et al.					
2008/0009848	A1	1/2008	Paraschiv et al.					
2008/0058585	A1	3/2008	Novak et al.					
2008/0058775	A1	3/2008	Darian et al.					
2008/0058845	A1	3/2008	Shimizu et al.					
2008/0082039	A1	4/2008	Babaev					
2008/0082098	A1	4/2008	Tanaka et al.					
2008/0172051	A1	7/2008	Masuda et al.					
2008/0177268	A1	7/2008	Daum et al.					
2008/0188878	A1	8/2008	Young					
2008/0200940	A1	8/2008	Eichmann et al.					
2008/0208231	A1	8/2008	Ota et al.					
2008/0234708	A1	9/2008	Houser et al.					
2008/0234709	A1	9/2008	Houser					
2008/0234710	A1	9/2008	Neurohr et al.					
2008/0234711	A1	9/2008	Houser et al.					
2008/0262490	A1	10/2008	Williams					

## FOREIGN PATENT DOCUMENTS

CN	1694649	A	11/2005
CN	1922563	A	2/2007
CN	101040799	A	9/2007
EP	171967	A3	11/1987
EP	443256	A1	8/1991
EP	456470	B1	1/1996
EP	482195	A1	1/1996
EP	612570	A2	6/1997
EP	908148	A1	1/2002
EP	908155	A1	6/2003
EP	1199044	A1	12/2005
EP	1832259	A1	9/2007
EP	1844720	A1	10/2007
EP	1862133	A1	12/2007
EP	1974771	A1	10/2008
EP	2074959	B1	12/2012
GB	2032221	A	4/1980
GB	2447767	A	9/2008
WO	92/22259		12/1992
WO	93/14708		8/1993
WO	98/37815		9/1998
WO	01/54590	B1	8/2001

# US D691,265 S

Page 5

---

WO 2005122917 A1 12/2005  
WO 2006129465 A1 12/2006  
WO 2006042210 A3 1/2007  
WO 2007143665 A3 4/2008  
WO 2008130793 A1 10/2008  
WO 2008016886 A3 12/2008

WO 2009027065 A1 3/2009  
WO 2007047531 A3 4/2009  
WO 2006058223 A3 5/2009  
WO 2009018406 A3 7/2009

\* cited by examiner

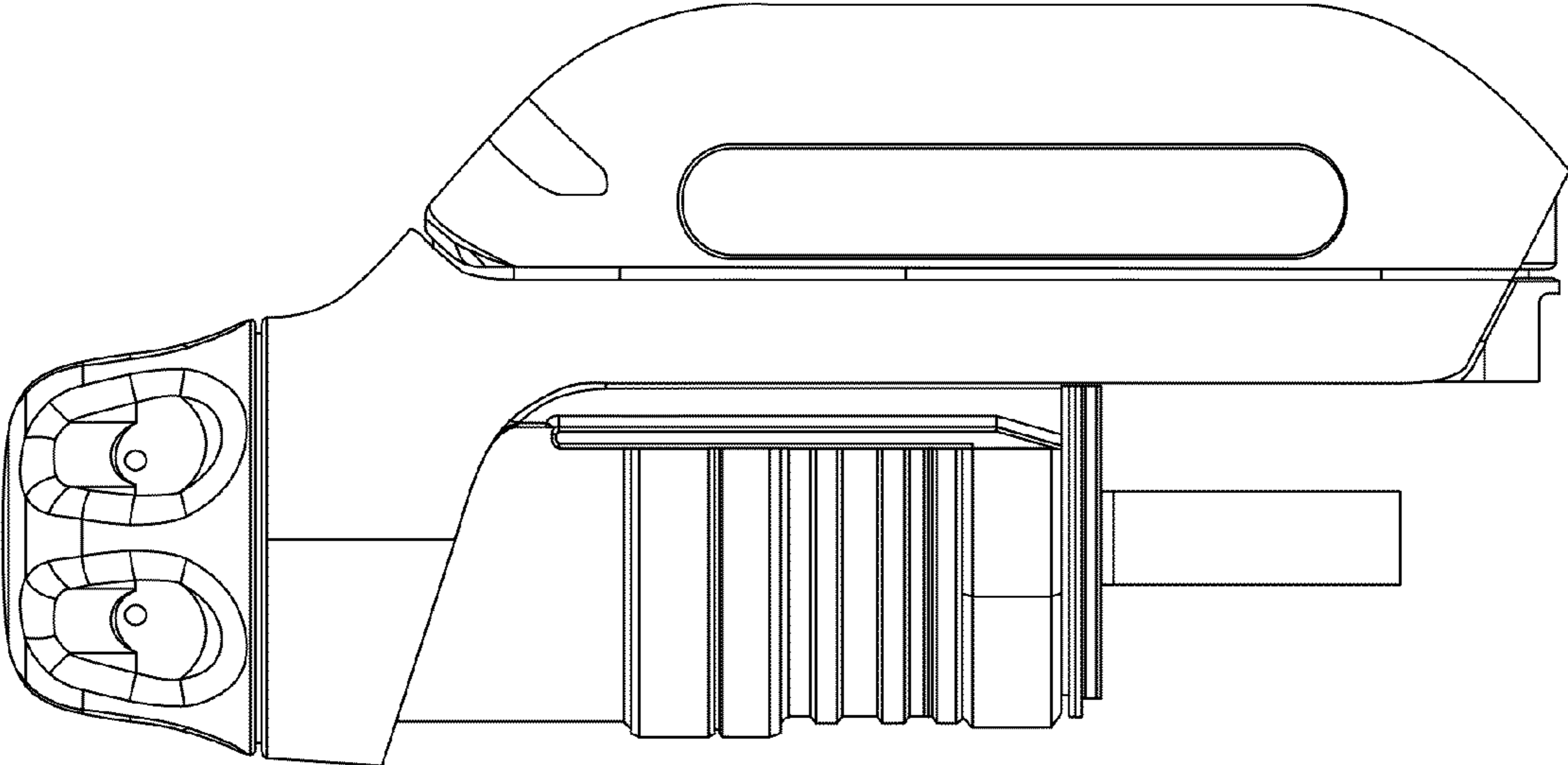


FIG. 1

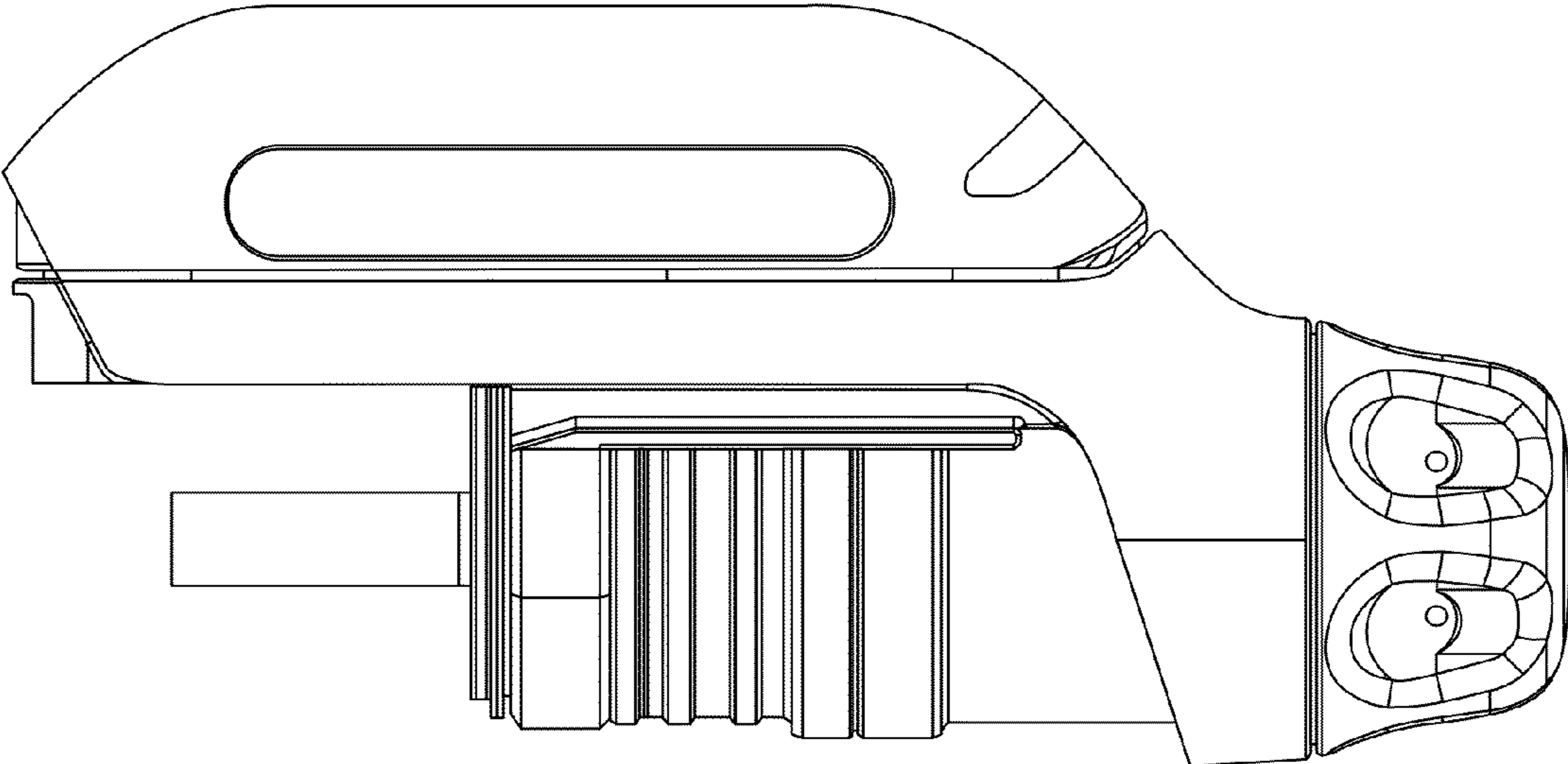


FIG. 2

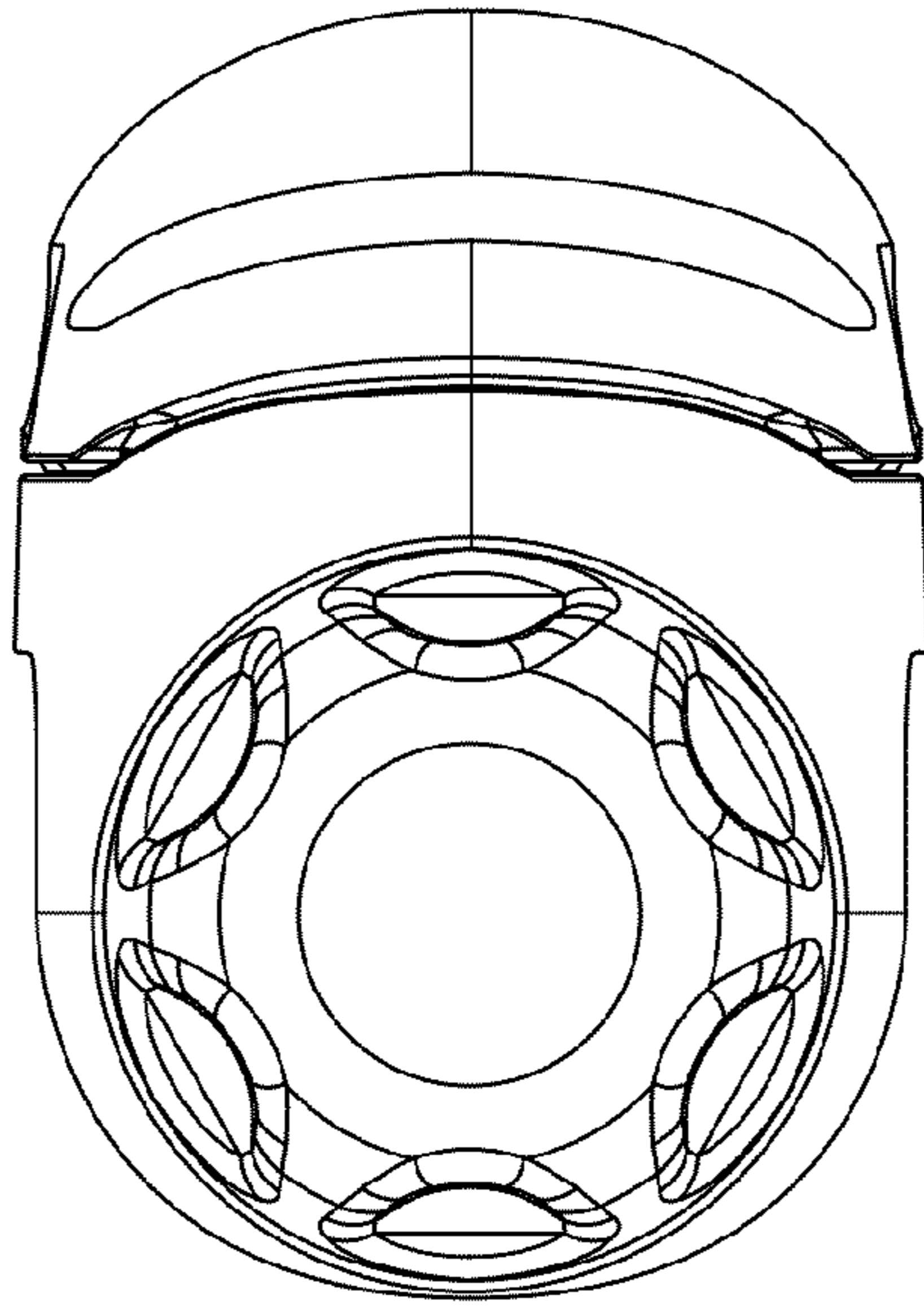


FIG. 3

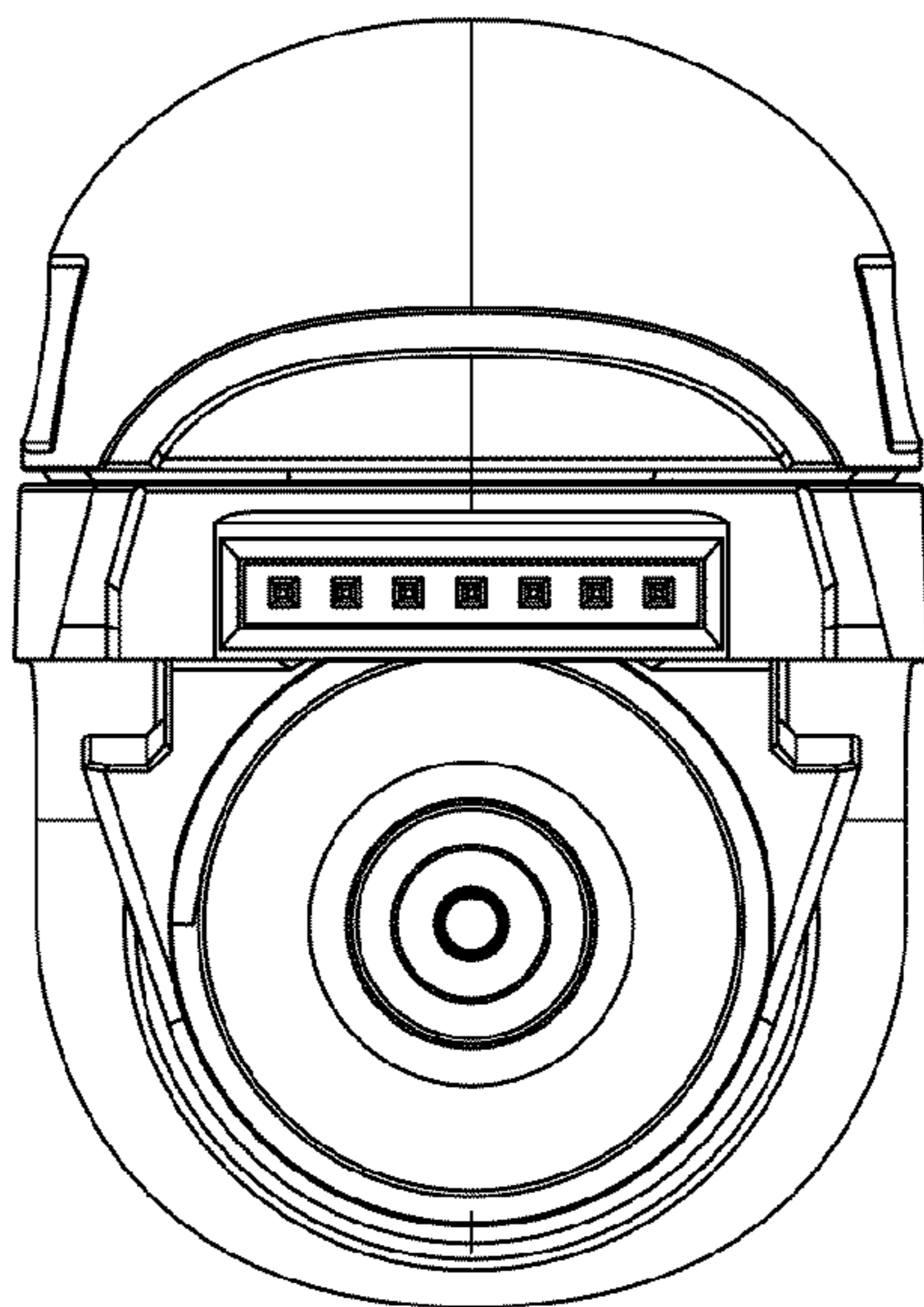


FIG. 4

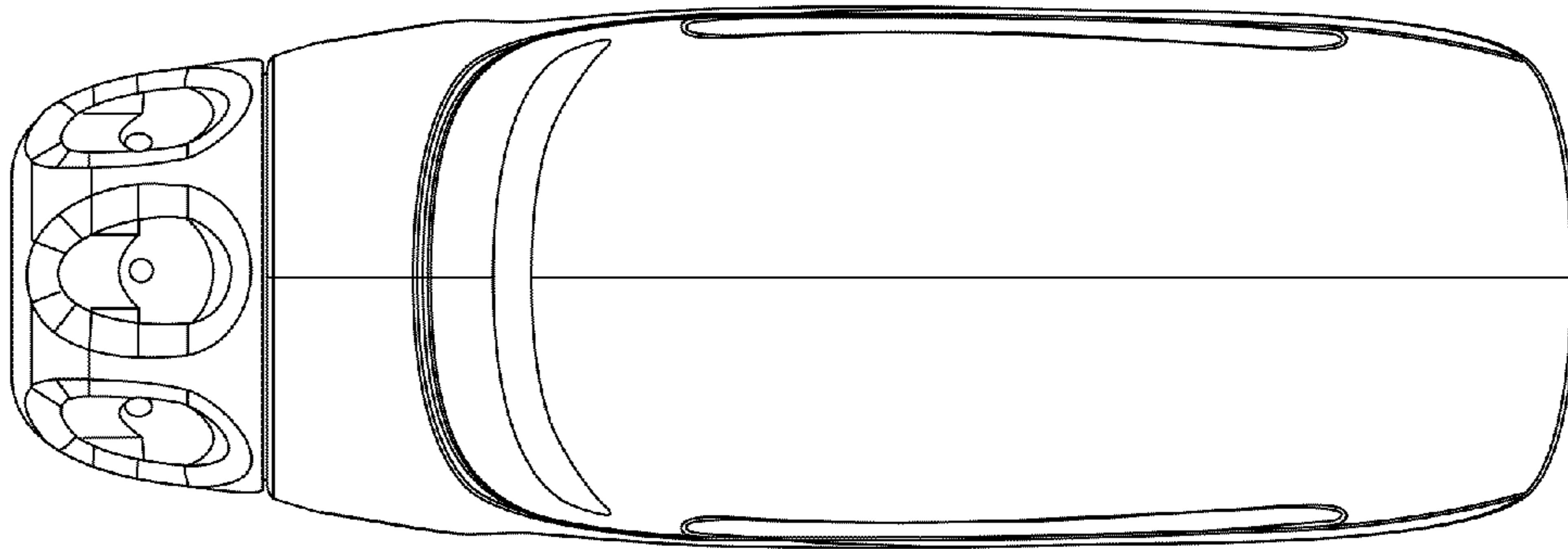


FIG. 5

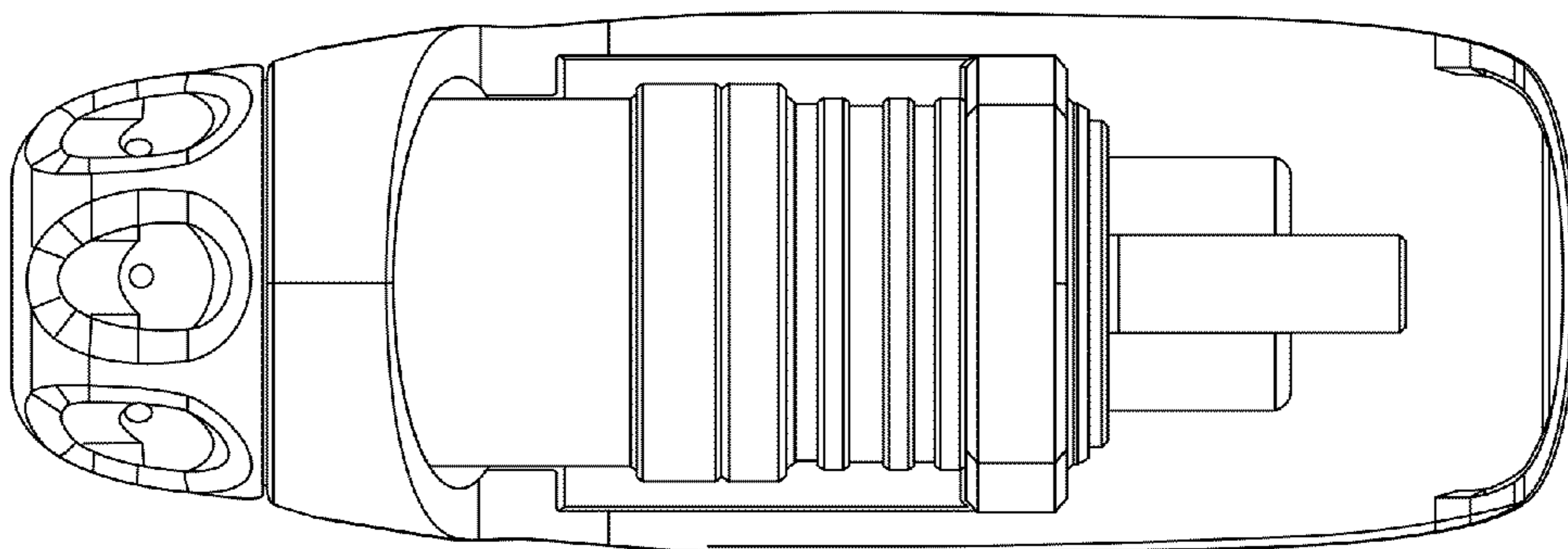


FIG. 6



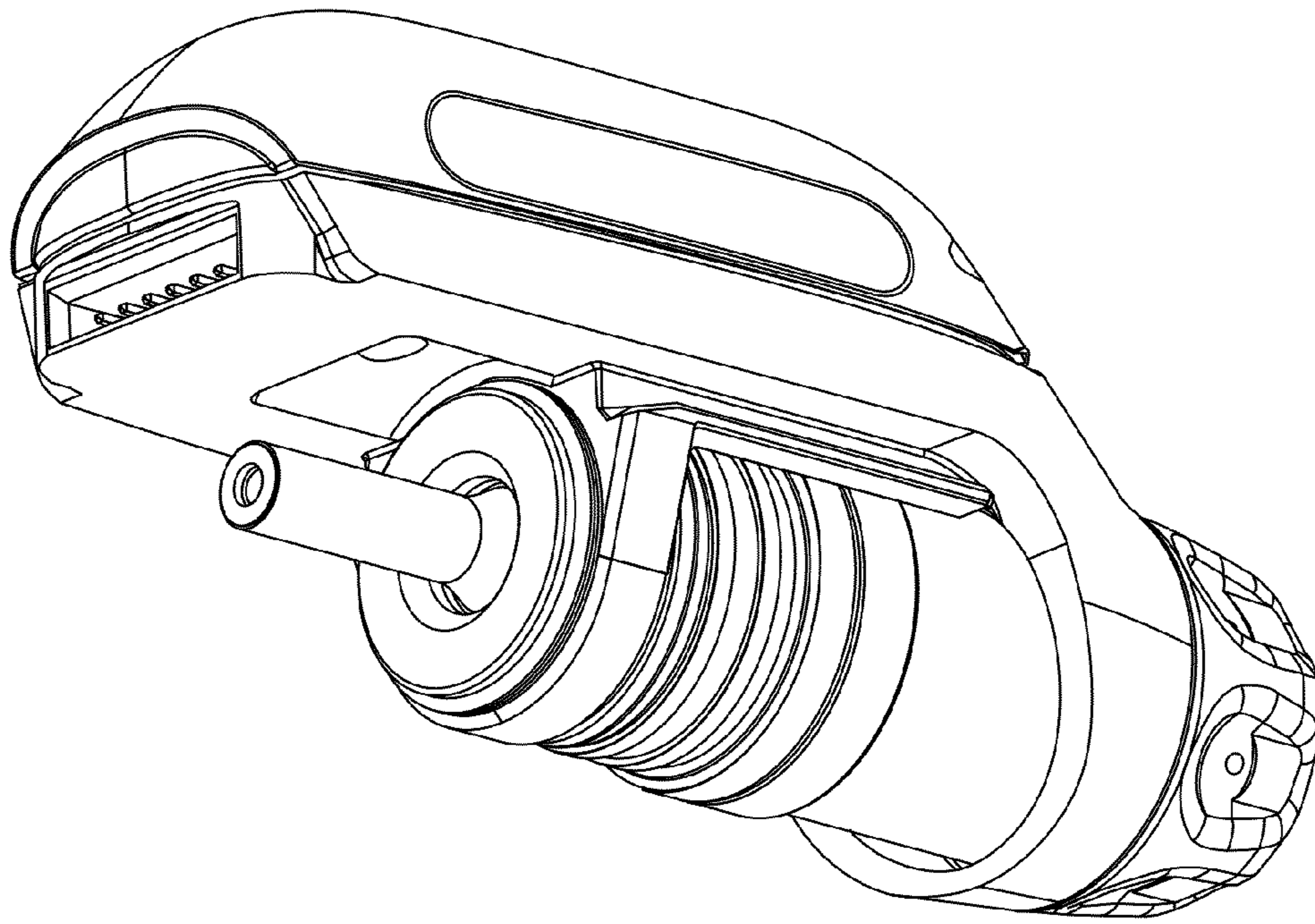


FIG. 7

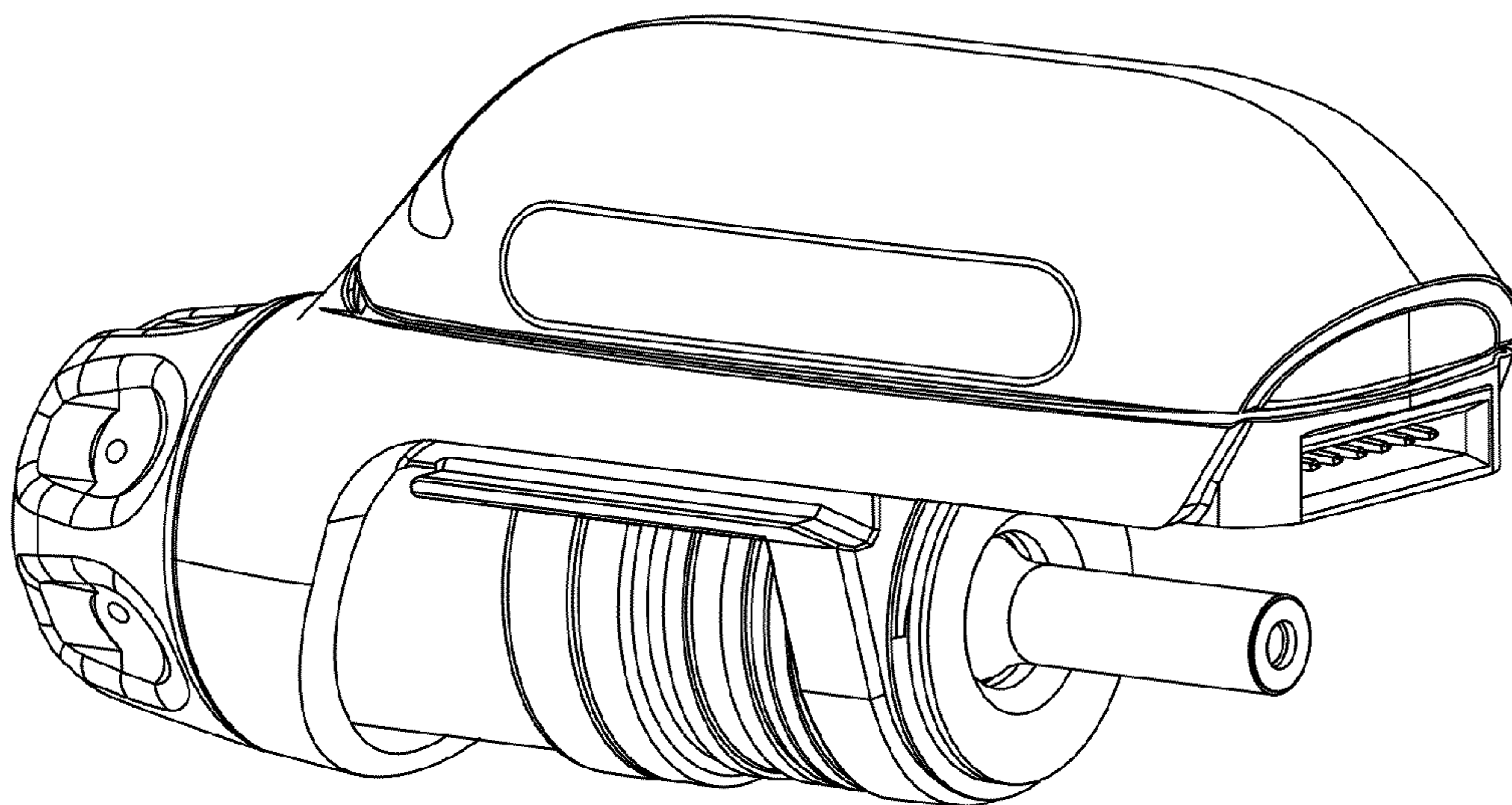
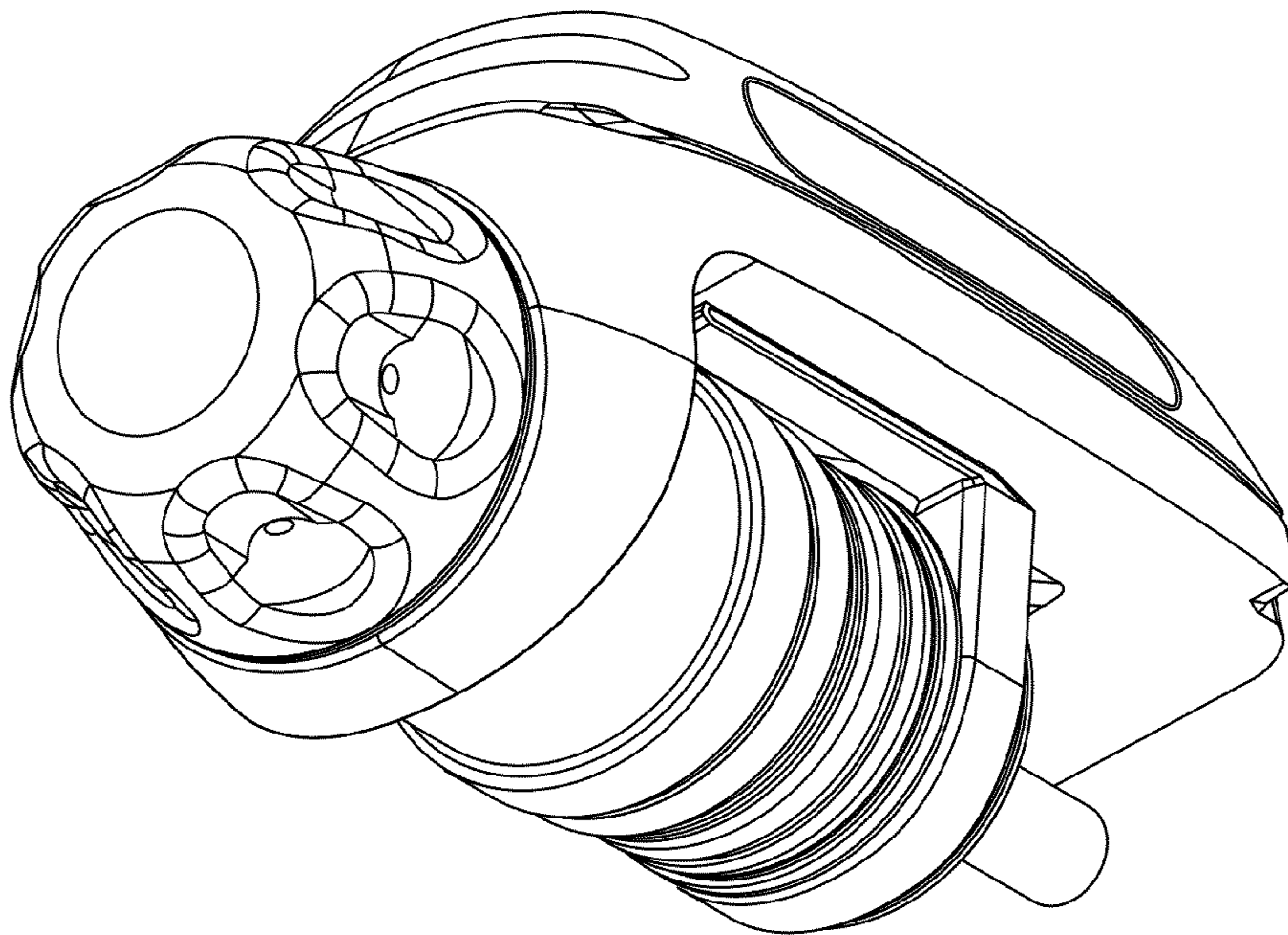


FIG. 8



**FIG. 9**