



US00D691264S

(12) **United States Design Patent**
Dallemagne et al.

(10) **Patent No.:** **US D691,264 S**

(45) **Date of Patent:** **** Oct. 8, 2013**

(54) **LAPAROSCOPIC INSTRUMENT**

(71) Applicant: **Karl Storz GmbH & Co. KG,**
Tuttlingen (DE)

(72) Inventors: **Bernard Dallemagne**, Beauafys (BE);
Silvana Perretta, Strasbourg (FR);
Sebastian Wagner, Bretten (DE);
Sabine Zahler, Ebersberg (DE)

(73) Assignee: **Karl Storz GmbH & Co. KG,**
Tuttlingen (DE)

(**) Term: **14 Years**

(21) Appl. No.: **29/439,426**

(22) Filed: **Dec. 11, 2012**

(30) **Foreign Application Priority Data**

Jun. 12, 2012 (EM) 002055913-0001

(51) **LOC (9) Cl.** **24-02**

(52) **U.S. Cl.**
USPC **D24/144; D24/146**

(58) **Field of Classification Search**
USPC D24/133, 144, 138, 146-147, 170,
D24/127-128; 604/30, 35, 533; 606/1, 48,
606/50, 49, 108, 40-41, 209, 211
See application file for complete search history.

(56) **References Cited**

U.S. PATENT DOCUMENTS

5,250,047 A * 10/1993 Rydell 606/48
D349,573 S * 8/1994 Bookwalter et al. D24/128
5,586,977 A * 12/1996 Dorsey, III 604/30

5,803,510 A * 9/1998 Dorsey, III 604/30
7,753,901 B2 * 7/2010 Piskun et al. 606/108
8,109,929 B2 * 2/2012 Eitenmueller 606/49
2010/0057121 A1 * 3/2010 Piskun et al. 606/209

* cited by examiner

Primary Examiner — Wan Laymon

(74) *Attorney, Agent, or Firm* — Muncy, Geissler, Olds &
Lowe, PLLC

(57) **CLAIM**

The ornamental design for a laparoscopic instrument, as shown and described.

DESCRIPTION

FIG. 1 is a left side elevational view of a laparoscopic instrument according to the present invention.

FIG. 2 is a right side elevational view of the laparoscopic instrument of FIG. 1.

FIG. 3 is a front elevational view of the laparoscopic instrument of FIG. 1.

FIG. 4 is a rear elevational view of the laparoscopic instrument of FIG. 1.

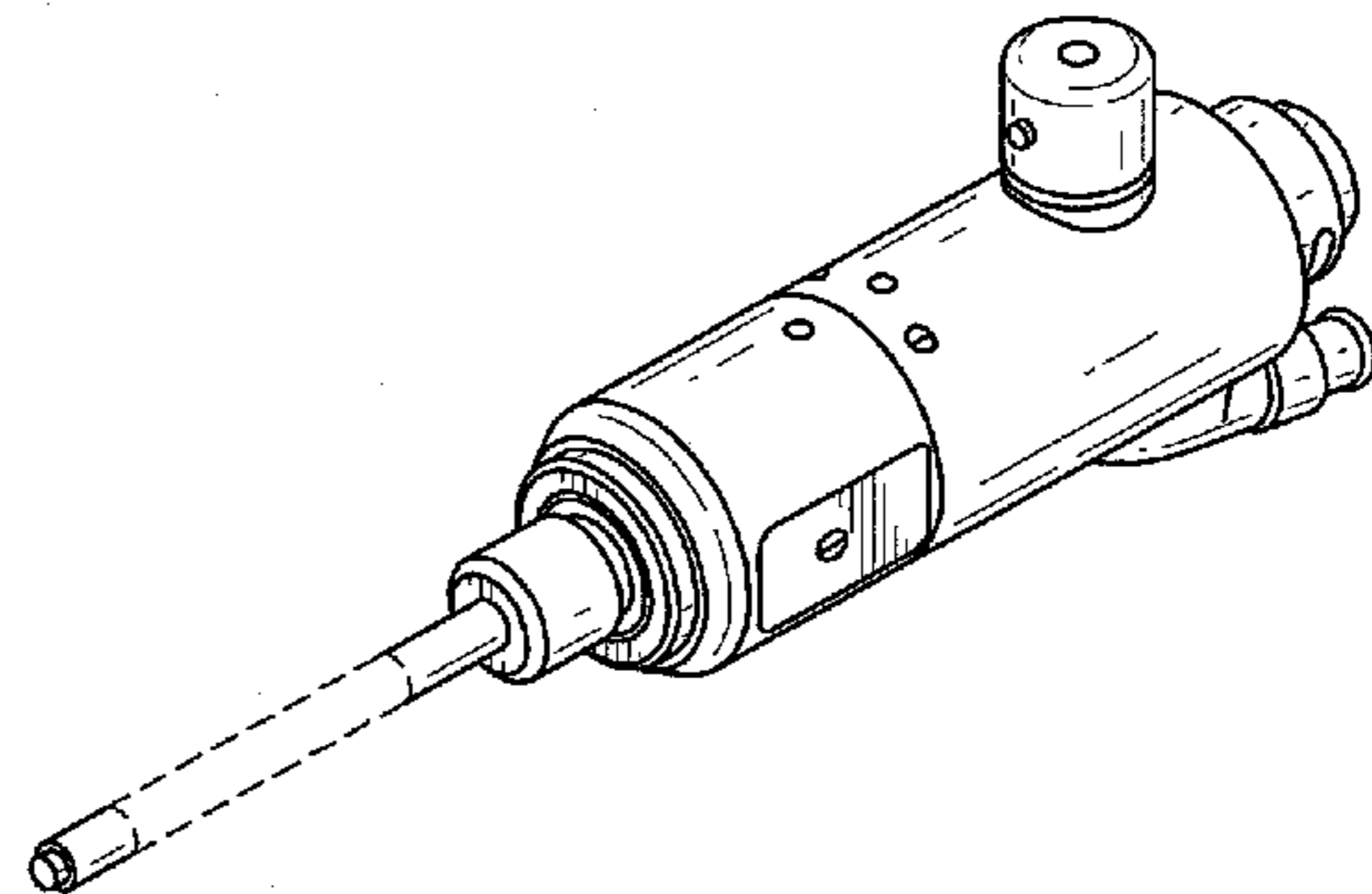
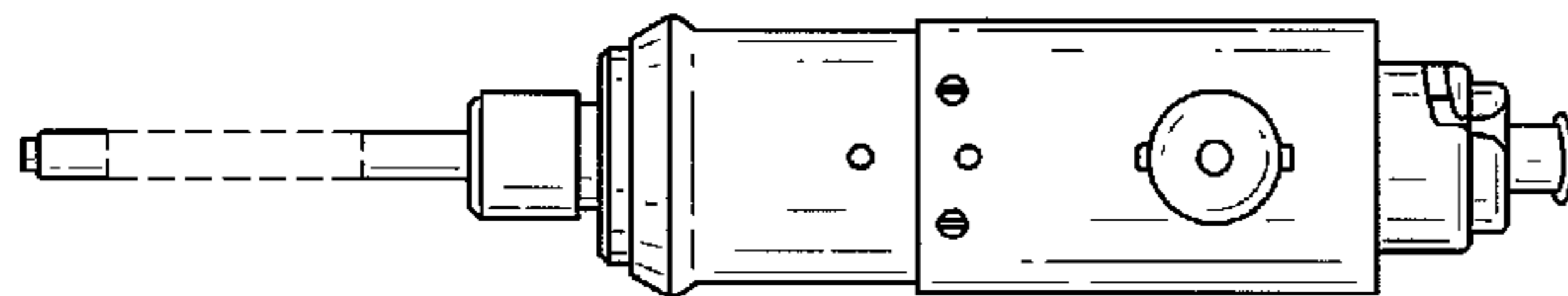
FIG. 5 is a top plan view of the laparoscopic instrument of FIG. 1.

FIG. 6 is a bottom plan view of the laparoscopic instrument of FIG. 1; and,

FIG. 7 is a perspective view of the laparoscopic instrument of FIG. 1.

The dashed lines illustrate environment that does not form a part of the present invention, and no claim is made to the material illustrated with dashed lines.

1 Claim, 4 Drawing Sheets



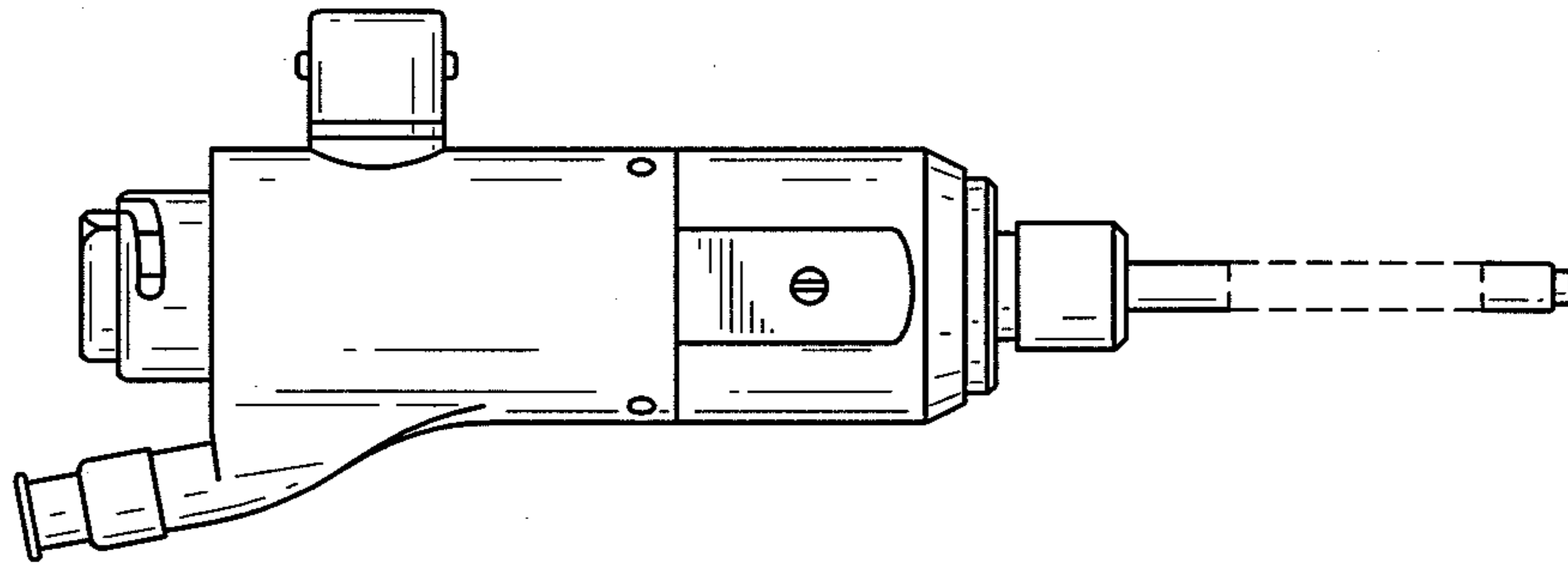


FIG. 1

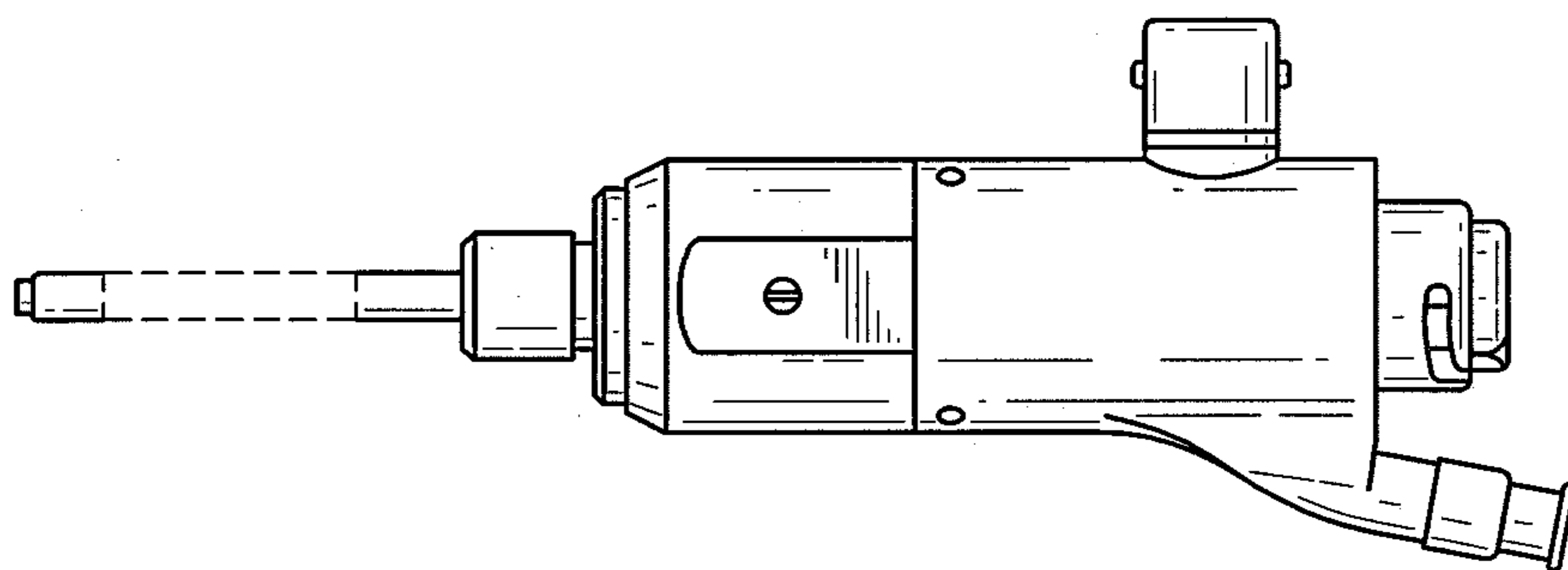


FIG. 2

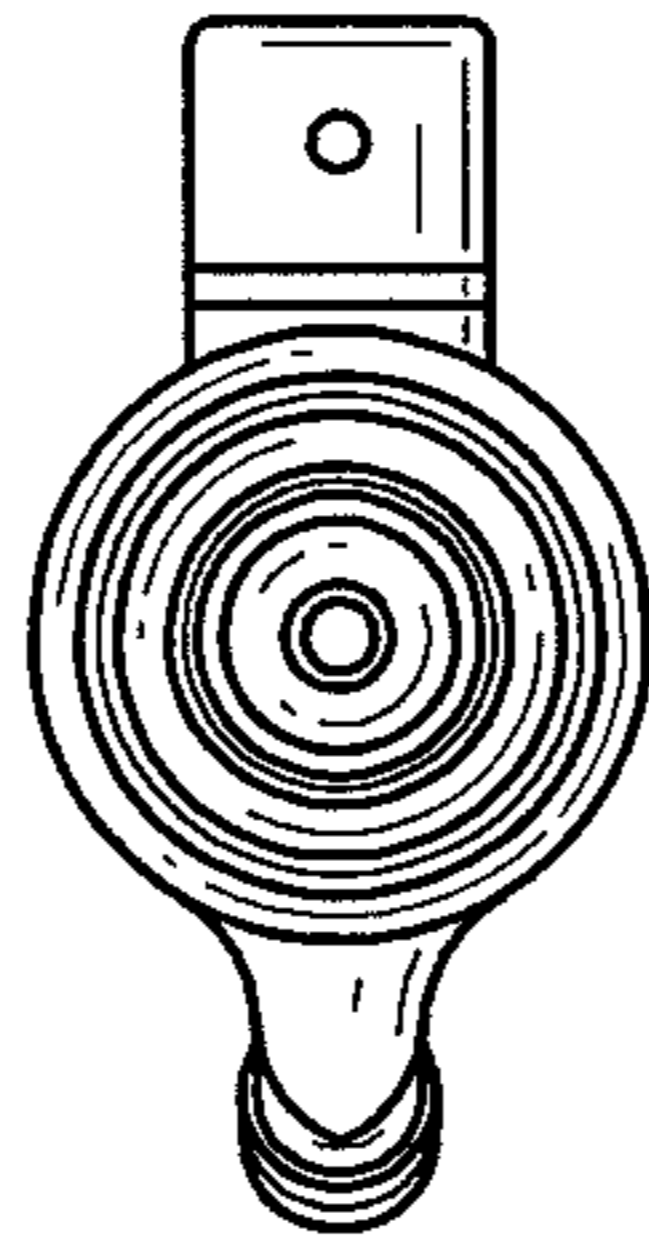


FIG.3

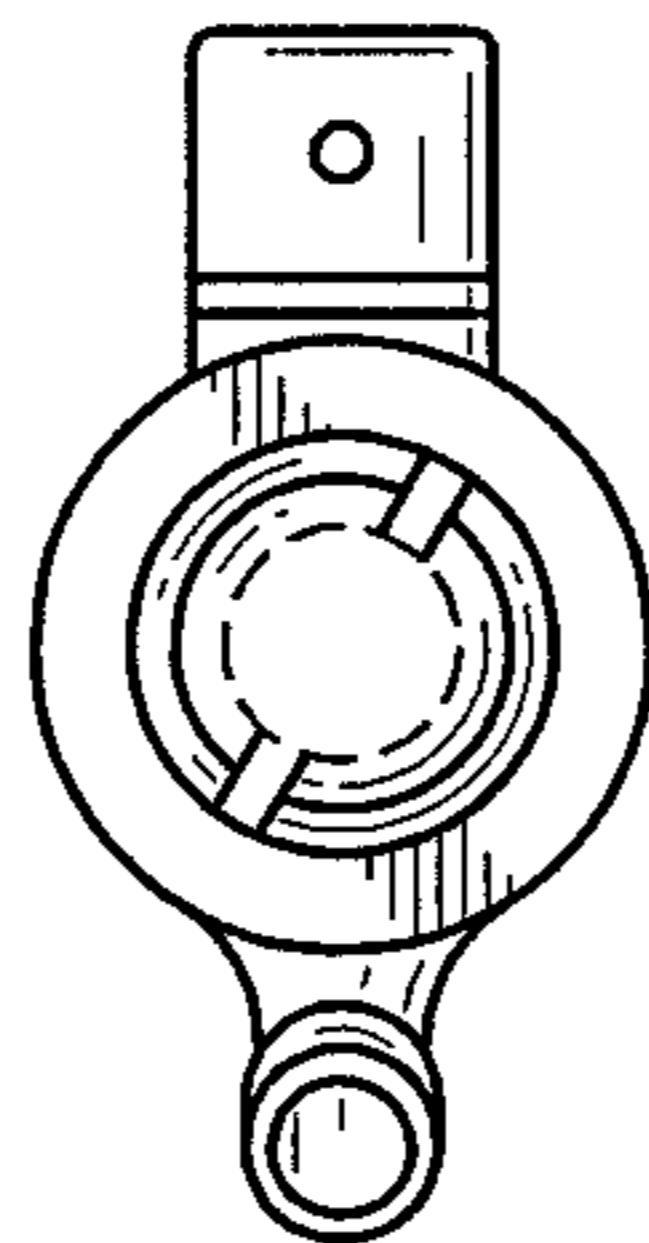


FIG.4

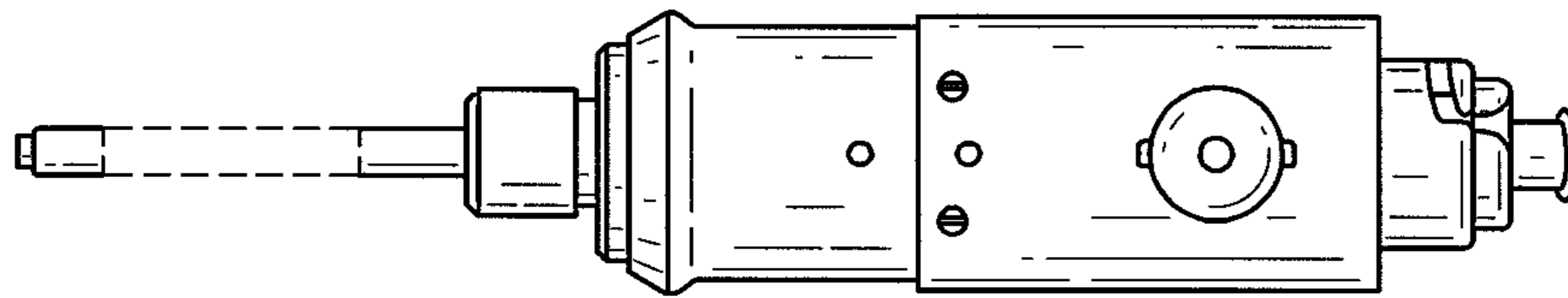


FIG.5

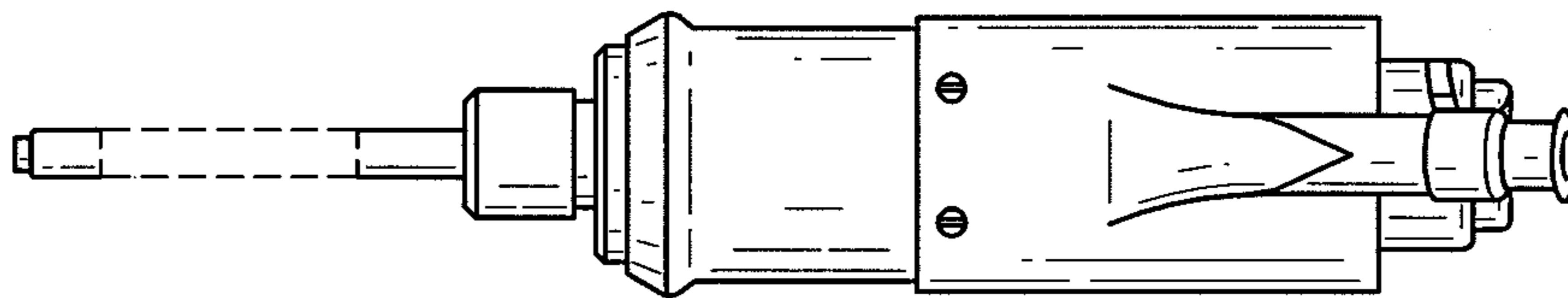


FIG.6

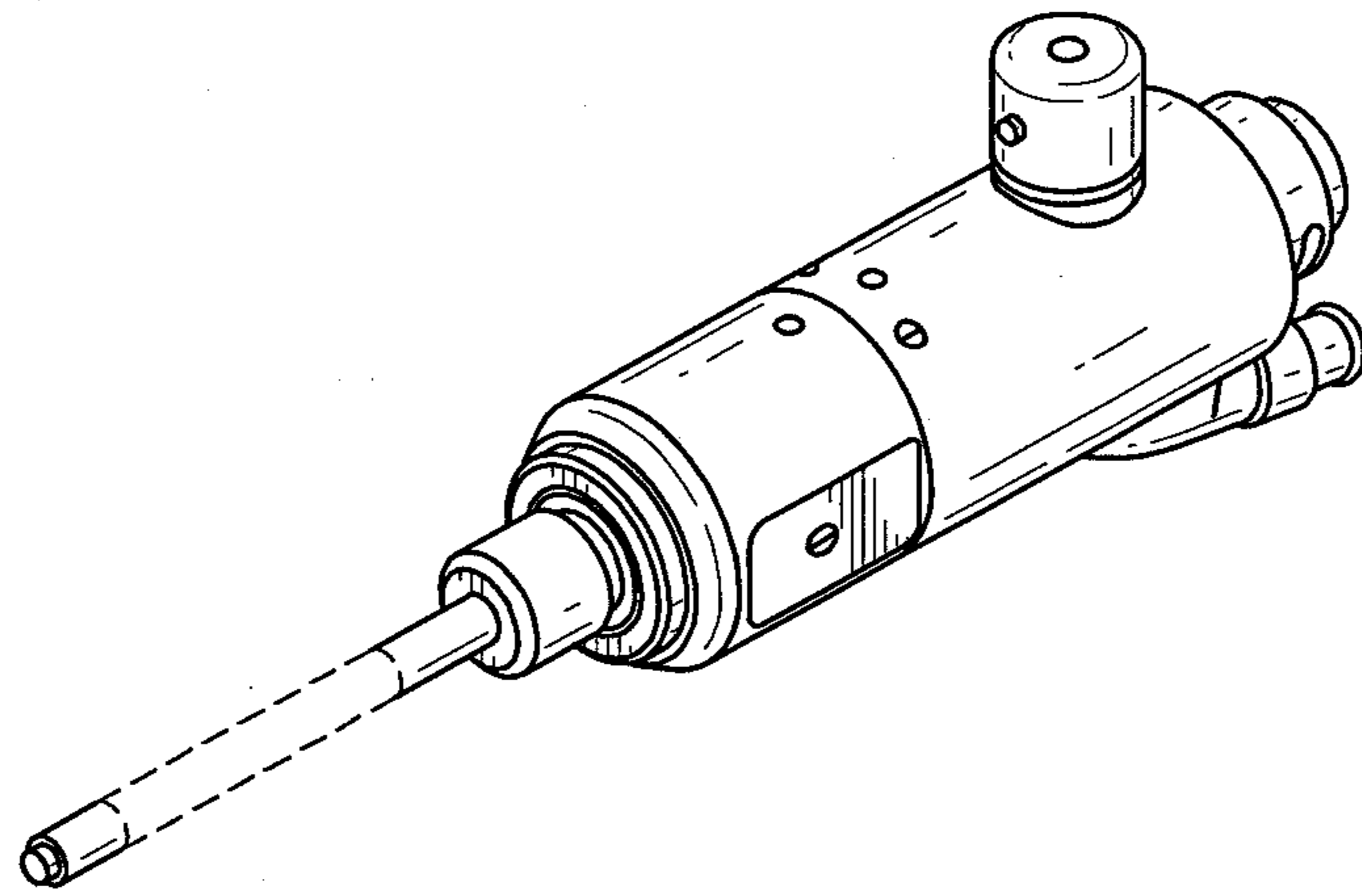


FIG. 7