

US00D691263S

(12) **United States Design Patent**  
**Chen et al.**

(10) **Patent No.:** **US D691,263 S**  
(45) **Date of Patent:** **\*\* Oct. 8, 2013**

- (54) **TATTOO MACHINE ROUND TIP**
- (71) Applicants: **Michael Chen**, Irvine, CA (US); **Wen Wei**, San Ramon, CA (US); **Billy Chen**, Irvine, CA (US)
- (72) Inventors: **Michael Chen**, Irvine, CA (US); **Wen Wei**, San Ramon, CA (US); **Billy Chen**, Irvine, CA (US)
- (\*\*) Term: **14 Years**
- (21) Appl. No.: **29/437,639**
- (22) Filed: **Nov. 19, 2012**
- (51) **LOC (9) Cl.** ..... **24-02**
- (52) **U.S. Cl.**  
USPC ..... **D24/144**
- (58) **Field of Classification Search**  
USPC ..... D24/144, 133, 146-147; D8/30;  
D19/35, 51; 30/362; 81/9.22; 606/9, 184-186  
See application file for complete search history.

(56) **References Cited**

U.S. PATENT DOCUMENTS

4,159,659	A *	7/1979	Nightingale	.....	81/9.22
D294,388	S *	2/1988	Hardy et al.	.....	D24/144
D294,519	S *	3/1988	Hardy, Jr.	.....	D24/144
4,914,988	A *	4/1990	Chang	.....	81/9.22
D327,825	S *	7/1992	Oglesby et al.	.....	D8/30
D380,046	S *	6/1997	Domanowski	.....	D24/144
7,207,242	B1 *	4/2007	Daigle	.....	81/9.22
D622,000	S *	8/2010	Kluge	.....	D24/146
D638,939	S *	5/2011	Eikhoff et al.	.....	D24/144

2008/0208235 A1\* 8/2008 Ulmer et al. .... 606/186  
 2009/0326570 A1\* 12/2009 Brown ..... 606/186  
 2012/0192681 A1\* 8/2012 Klebs et al. .... 81/9.22

\* cited by examiner

*Primary Examiner* — Wan Laymon

(74) *Attorney, Agent, or Firm* — QuickPatents; Kevin Prince

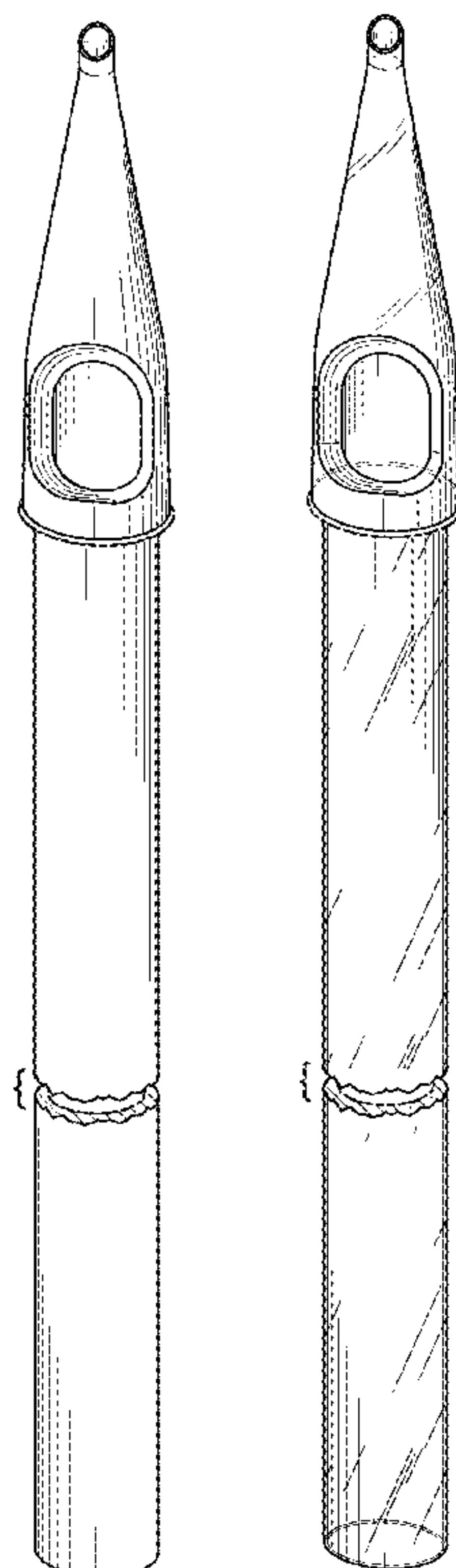
(57) **CLAIM**

We claim the ornamental design for a tattoo machine round tip, as shown and described.

**DESCRIPTION**

FIG. 1 is a perspective view of a tattoo machine round tip, showing a first embodiment of our new design;  
 FIG. 2 is a top plan view thereof;  
 FIG. 3 is a bottom plan view thereof;  
 FIG. 4 is a left-side elevational view thereof, the right-side elevational view being a mirror image thereof;  
 FIG. 5 is a front elevational view thereof;  
 FIG. 6 is a rear elevational view thereof;  
 FIG. 7 is a perspective view of a second embodiment thereof;  
 FIG. 8 is a top plan view thereof;  
 FIG. 9 is a bottom plan view thereof;  
 FIG. 10 is a left-side elevational view thereof, the right-side elevational view being a mirror image thereof;  
 FIG. 11 is a front elevational view thereof; and,  
 FIG. 12 is a rear elevational view thereof.  
 The broken away symbols in the drawings indicate the appearance of any portion of the article between the break lines forms no part of the claimed design.

**1 Claim, 4 Drawing Sheets**



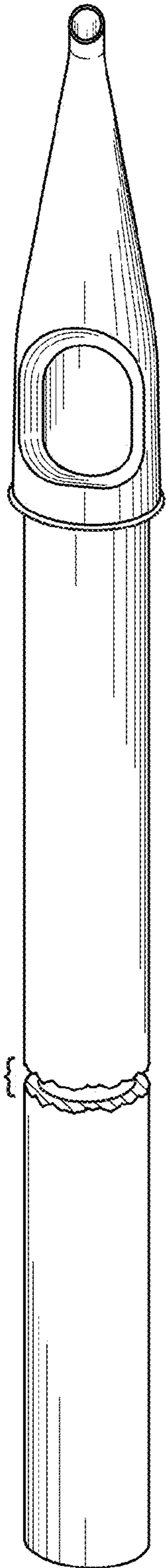


FIG. 1

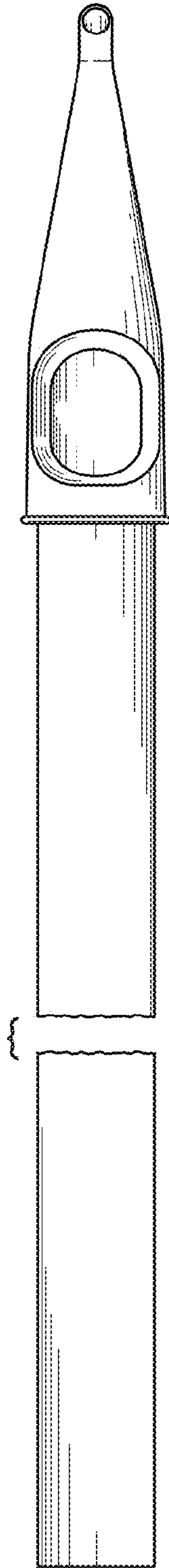


FIG. 2

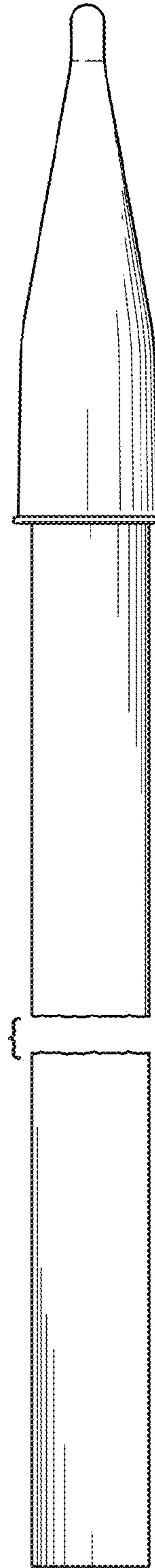


FIG. 3

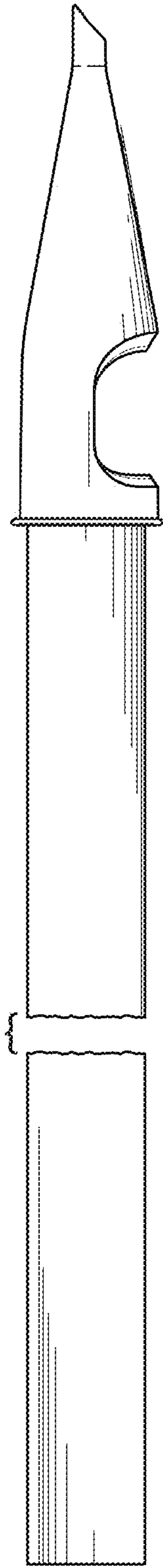


FIG. 4

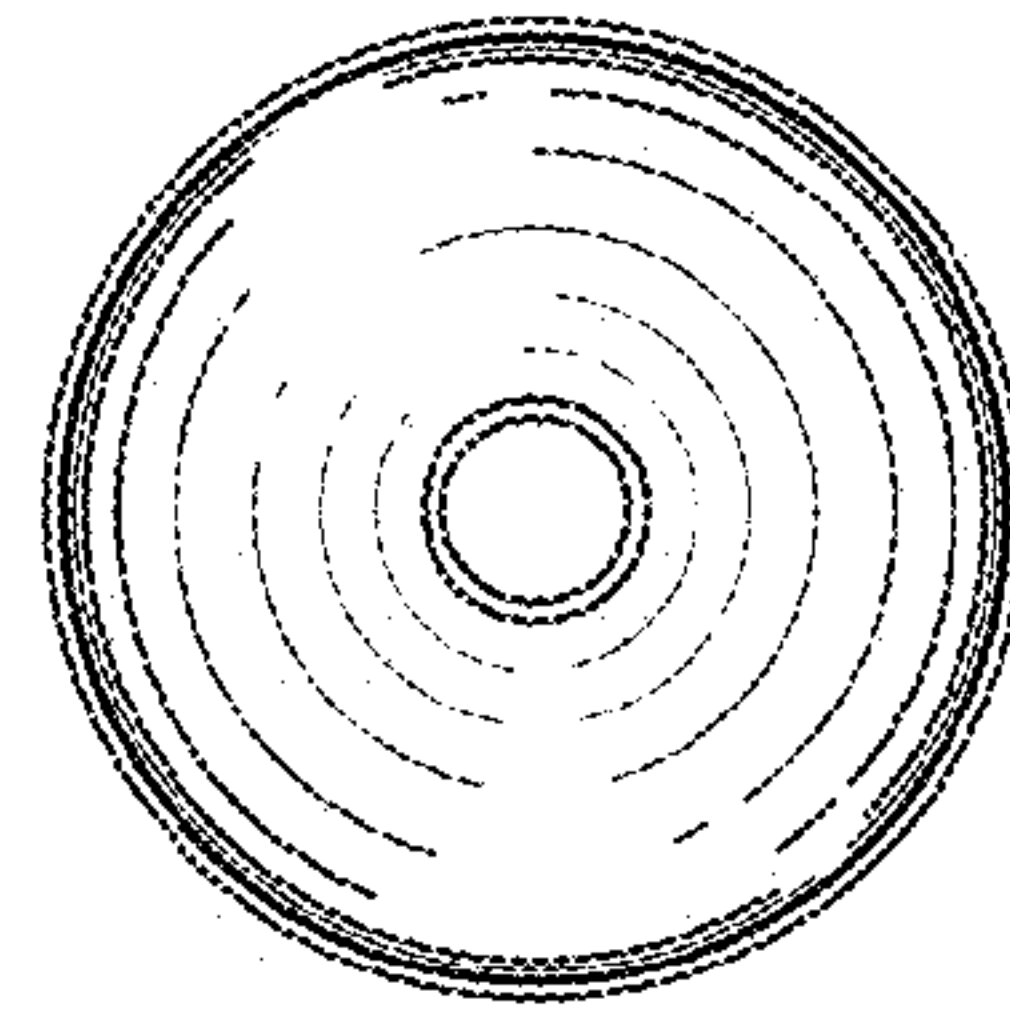


FIG. 5

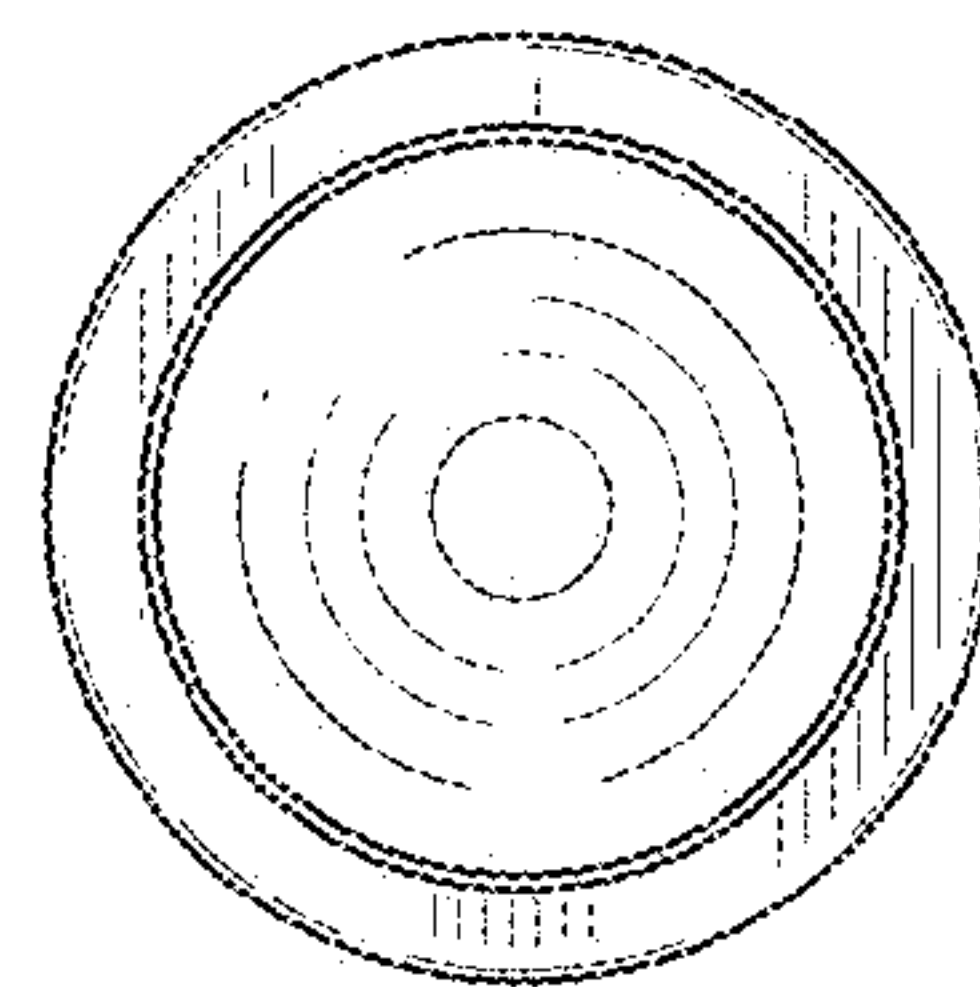


FIG. 6

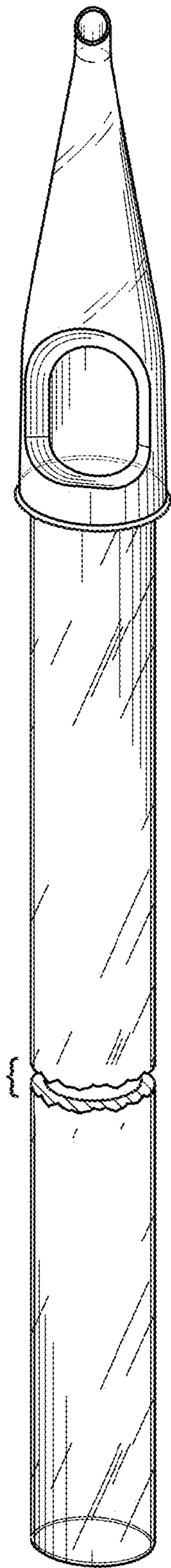


FIG. 7

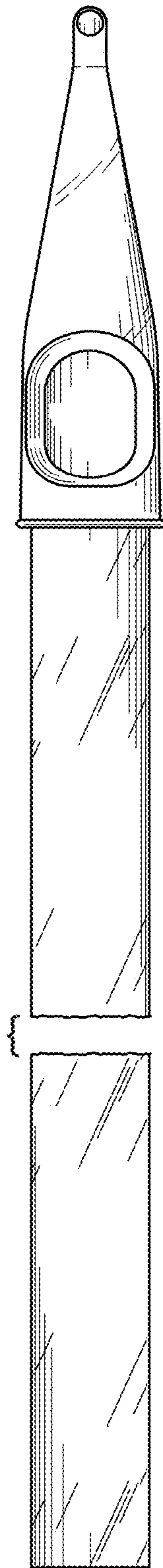


FIG. 8

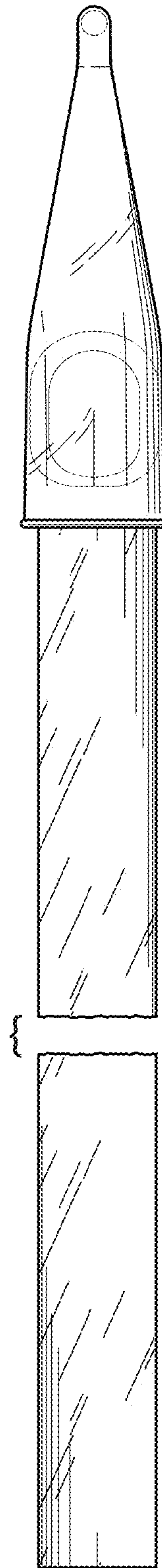


FIG. 9



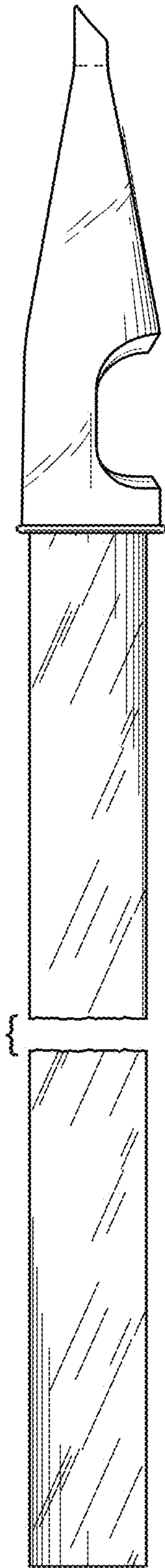


FIG. 10

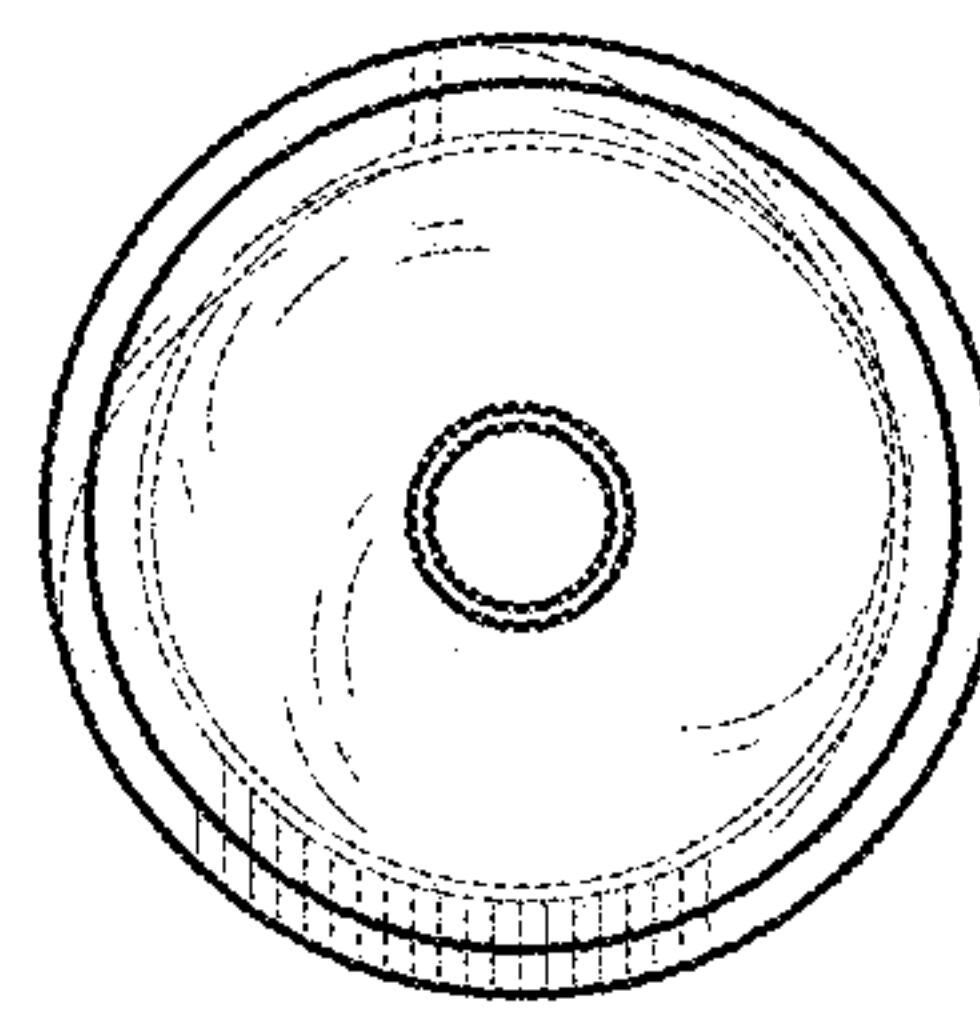


FIG. 11

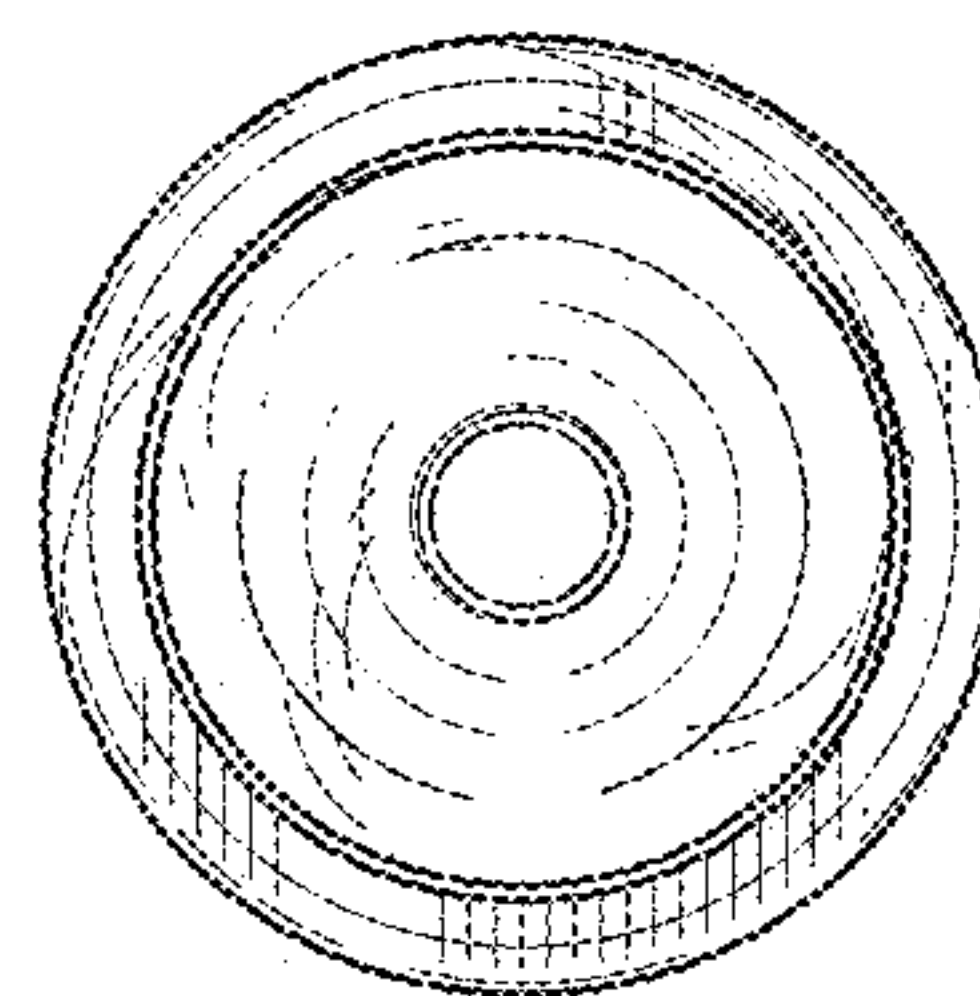


FIG. 12