

US00D691261S

(12) **United States Design Patent**  
**Kawamura**

(10) **Patent No.:** **US D691,261 S**  
(45) **Date of Patent:** **\*\* Oct. 8, 2013**

(54) **NOZZLE CAP FOR SYRINGE**  
(75) Inventor: **Hideaki Kawamura**, Sumida-ku (JP)  
(73) Assignee: **Daikyo Seiko, Ltd.**, Sumida-ku, Tokyo (JP)

D327,318 S \* 6/1992 Dudar et al. .... D24/112  
D381,911 S \* 8/1997 Lathrop et al. .... D9/453  
6,520,935 B1 \* 2/2003 Jansen et al. .... 604/111  
6,673,059 B2 \* 1/2004 Guala ..... 604/533  
D568,469 S 5/2008 Sudo  
D570,478 S 6/2008 Sudo  
D581,047 S 11/2008 Koshidaka  
D630,318 S \* 1/2011 Goodwin ..... D24/129  
D631,350 S \* 1/2011 Beach et al. .... D9/453  
D631,351 S \* 1/2011 Coon ..... D9/453

(\*\*) Term: **14 Years**

(21) Appl. No.: **29/395,277**

\* cited by examiner

(22) Filed: **Dec. 27, 2011**

*Primary Examiner* — David Muller

(30) **Foreign Application Priority Data**

(74) *Attorney, Agent, or Firm* — Chapman and Cutler LLP

Jun. 28, 2011 (JP) ..... 2011-014634

(51) **LOC (9) Cl.** ..... **24-02**

(57) **CLAIM**

The ornamental design for a nozzle cap for syringe, as shown and described.

(52) **U.S. Cl.**  
USPC ..... **D24/130**

**DESCRIPTION**

(58) **Field of Classification Search**  
USPC ..... D24/127–131, 112–114, 133, 186;  
606/181, 185; 604/533, 264, 272, 115, 232,  
604/187, 158, 164.08, 192, 263, 163, 181,  
604/184, 198, 227; 600/101, 139, 143;  
128/200.24, 207.14, 207.15; D23/262, 259,  
D23/260; D9/453, 439; 285/331–332.1  
See application file for complete search history.

FIG. 1 is a front perspective view of a nozzle cap for syringe showing my new design;  
FIG. 2 is a front perspective view thereof;  
FIG. 3 is a front elevational view thereof;  
FIG. 4 is a rear elevational view thereof;  
FIG. 5 is a top plan view thereof;  
FIG. 6 is a bottom plan view thereof;  
FIG. 7 is a right side elevational view thereof;  
FIG. 8 is a left side elevational view thereof;  
FIG. 9 is a sectional view thereof taken along line 9-9 of FIG. 3;  
FIG. 10 is a perspective view thereof; and,  
FIG. 11 is a perspective view thereof.

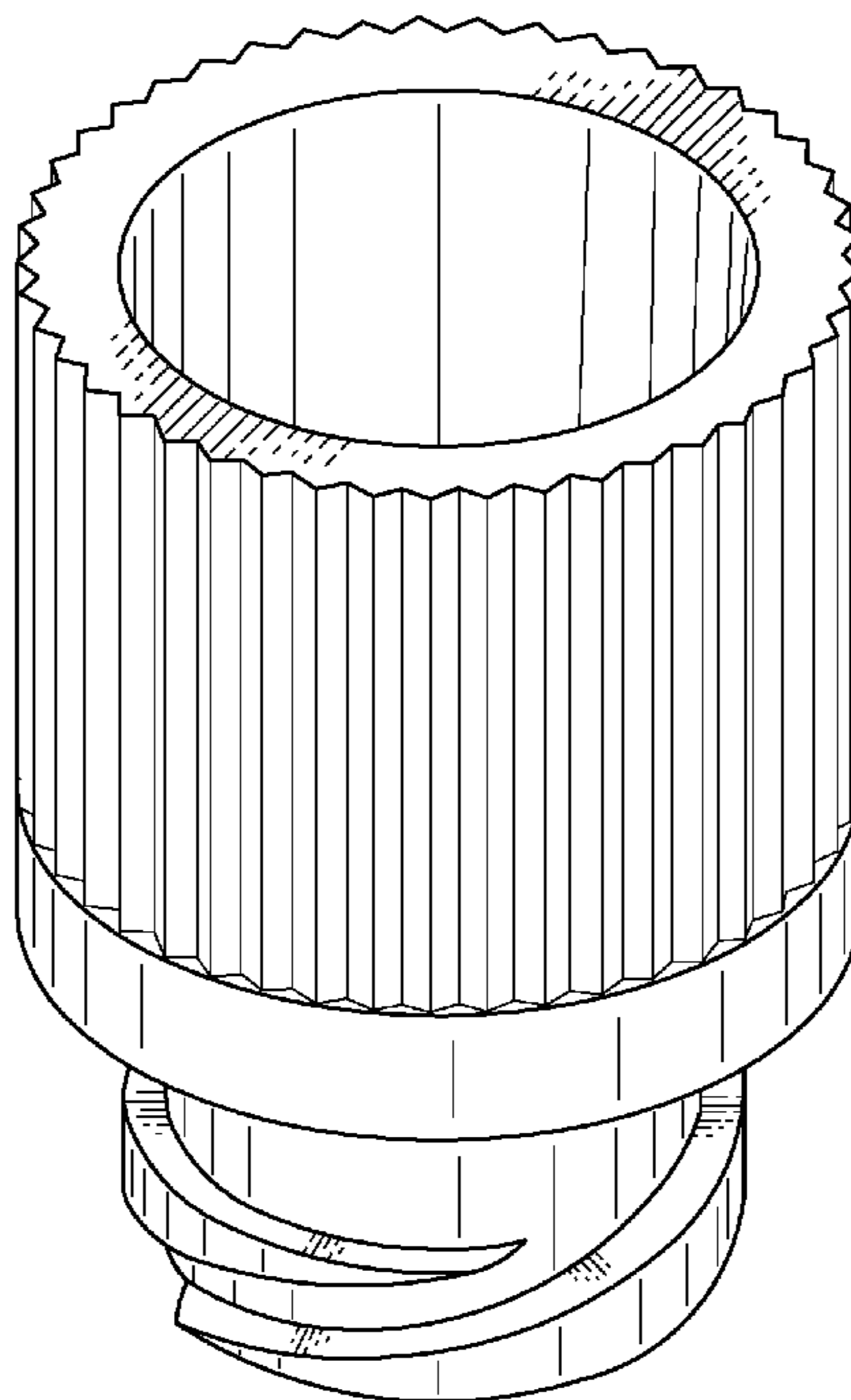
(56) **References Cited**

The broken lines are for the purpose of illustrating environmental structure only and form no part of the claimed design.

U.S. PATENT DOCUMENTS

2,787,480 A \* 4/1957 Staller ..... 285/238  
D241,919 S \* 10/1976 Best et al. .... D9/439  
3,987,930 A \* 10/1976 Fuson ..... 604/187  
4,076,285 A \* 2/1978 Martinez ..... 604/242  
D264,133 S \* 4/1982 Genese ..... D24/112  
4,477,109 A \* 10/1984 Kleuver ..... 285/361

**1 Claim, 11 Drawing Sheets**



F I G . 1

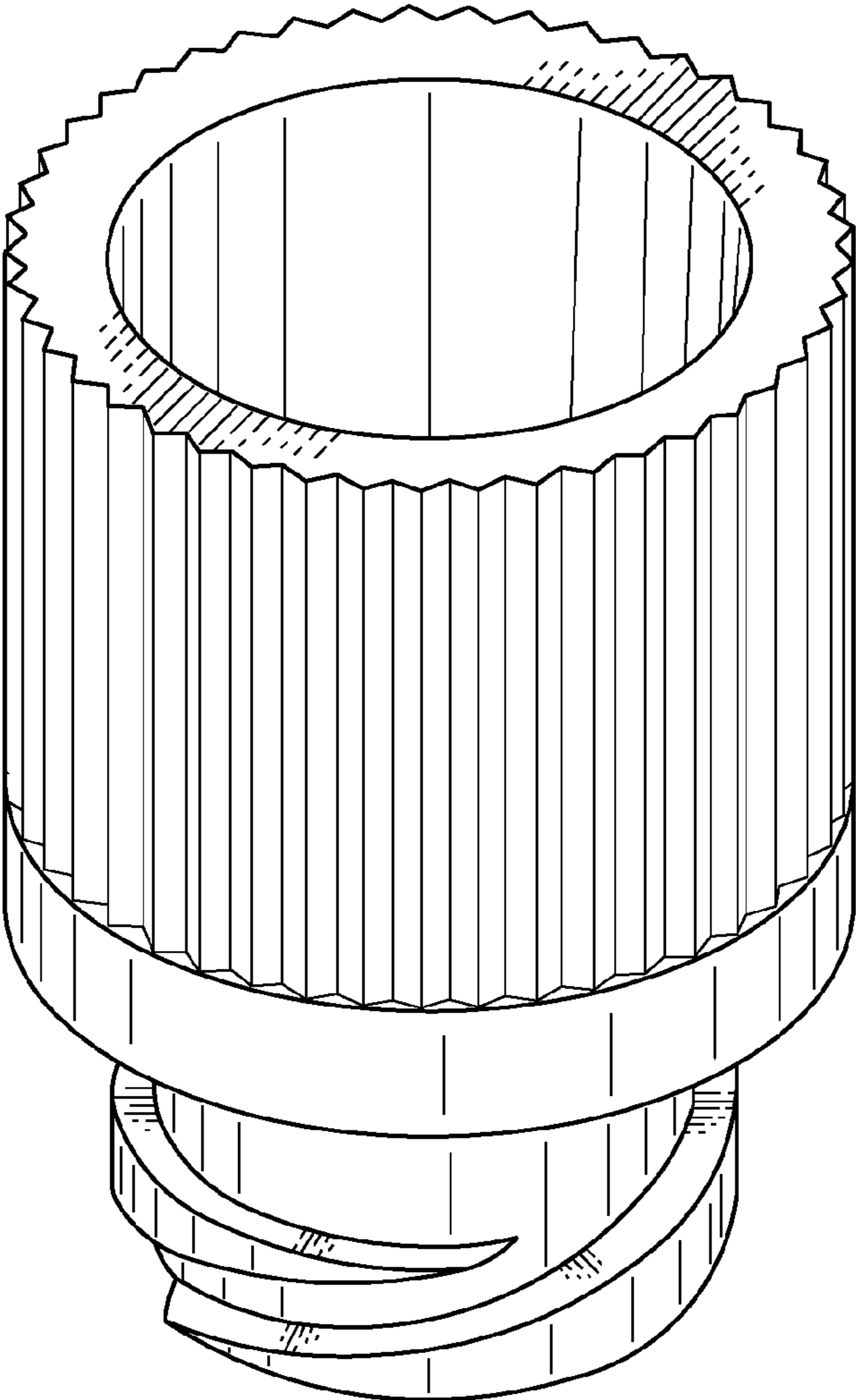


FIG. 2

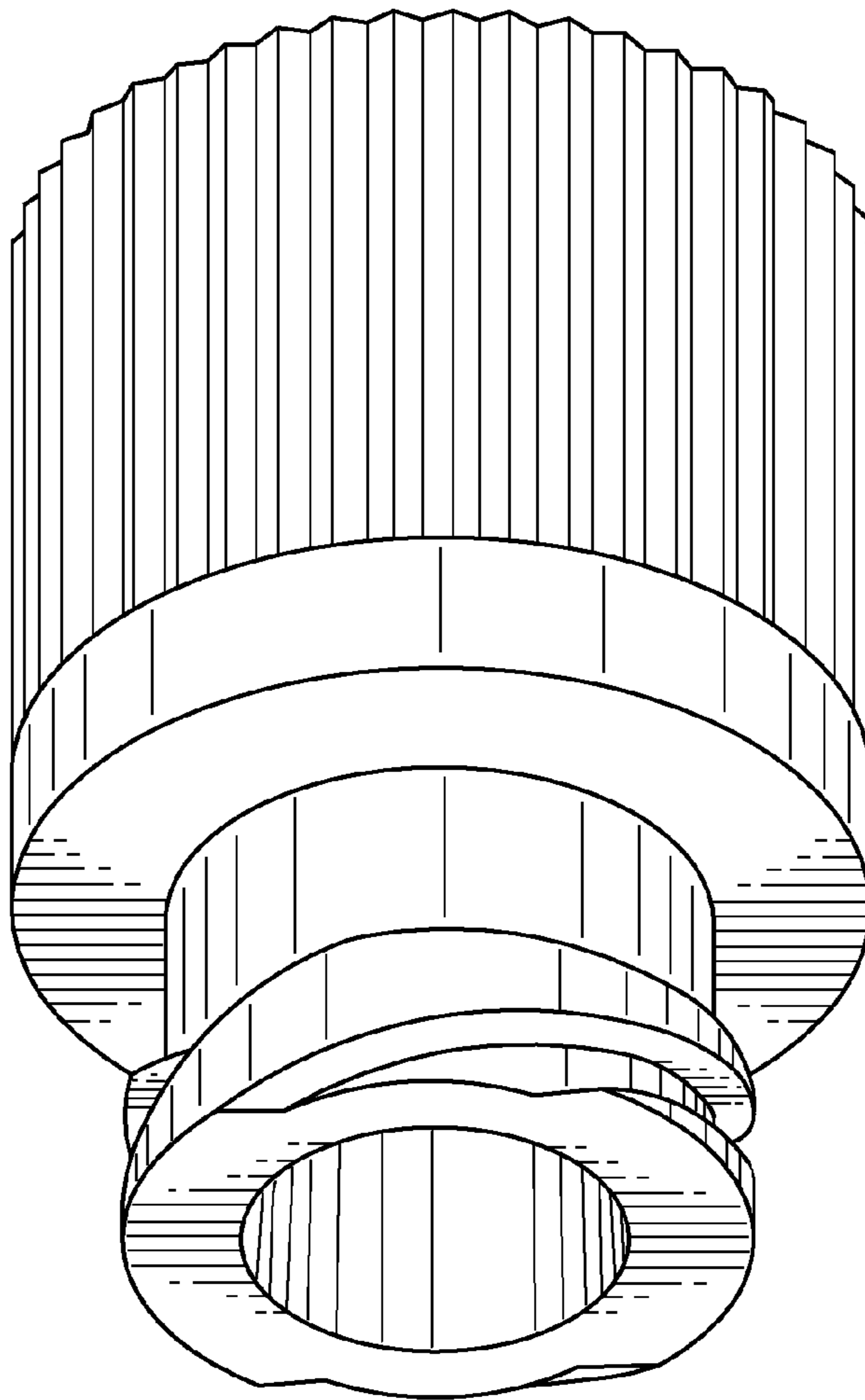
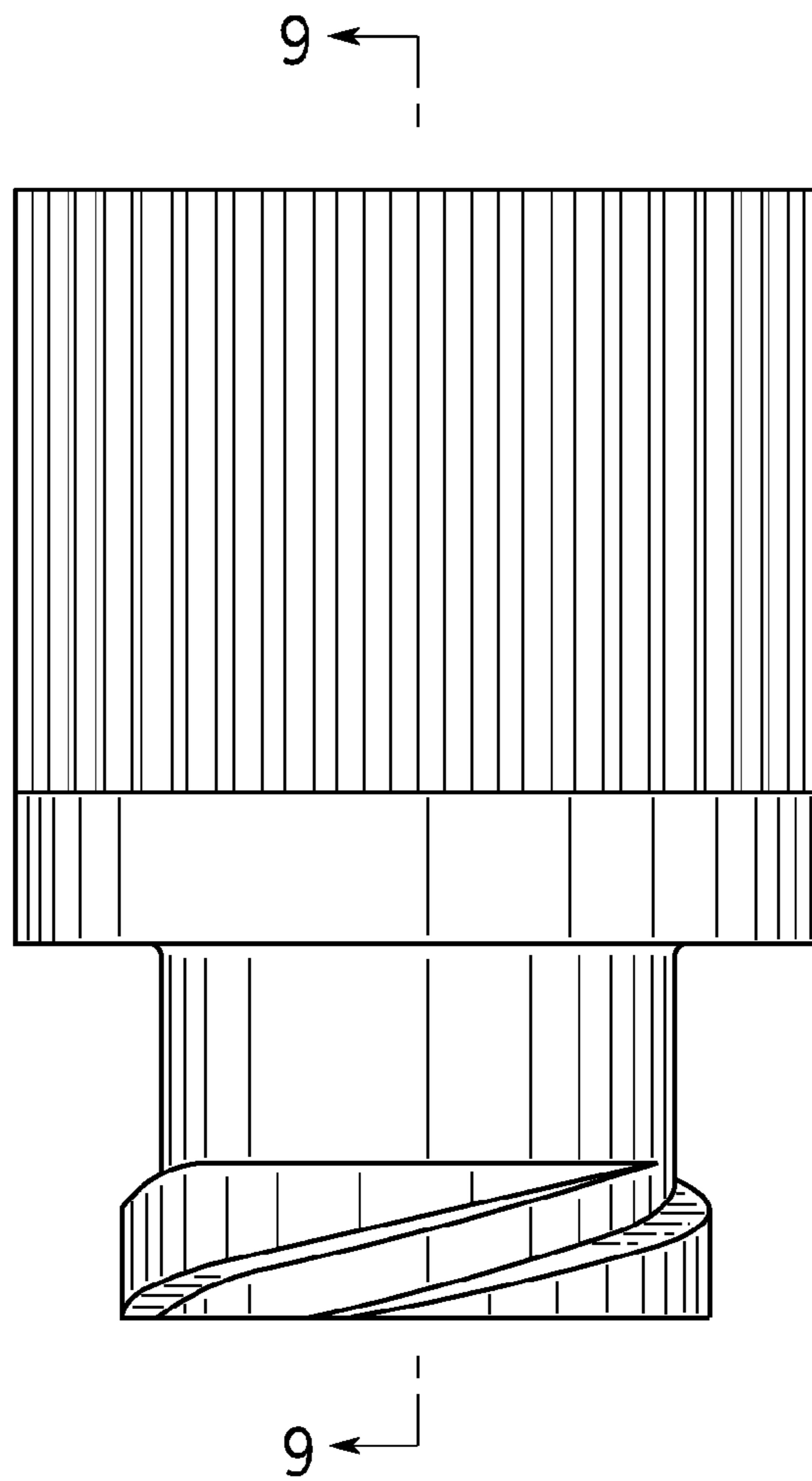
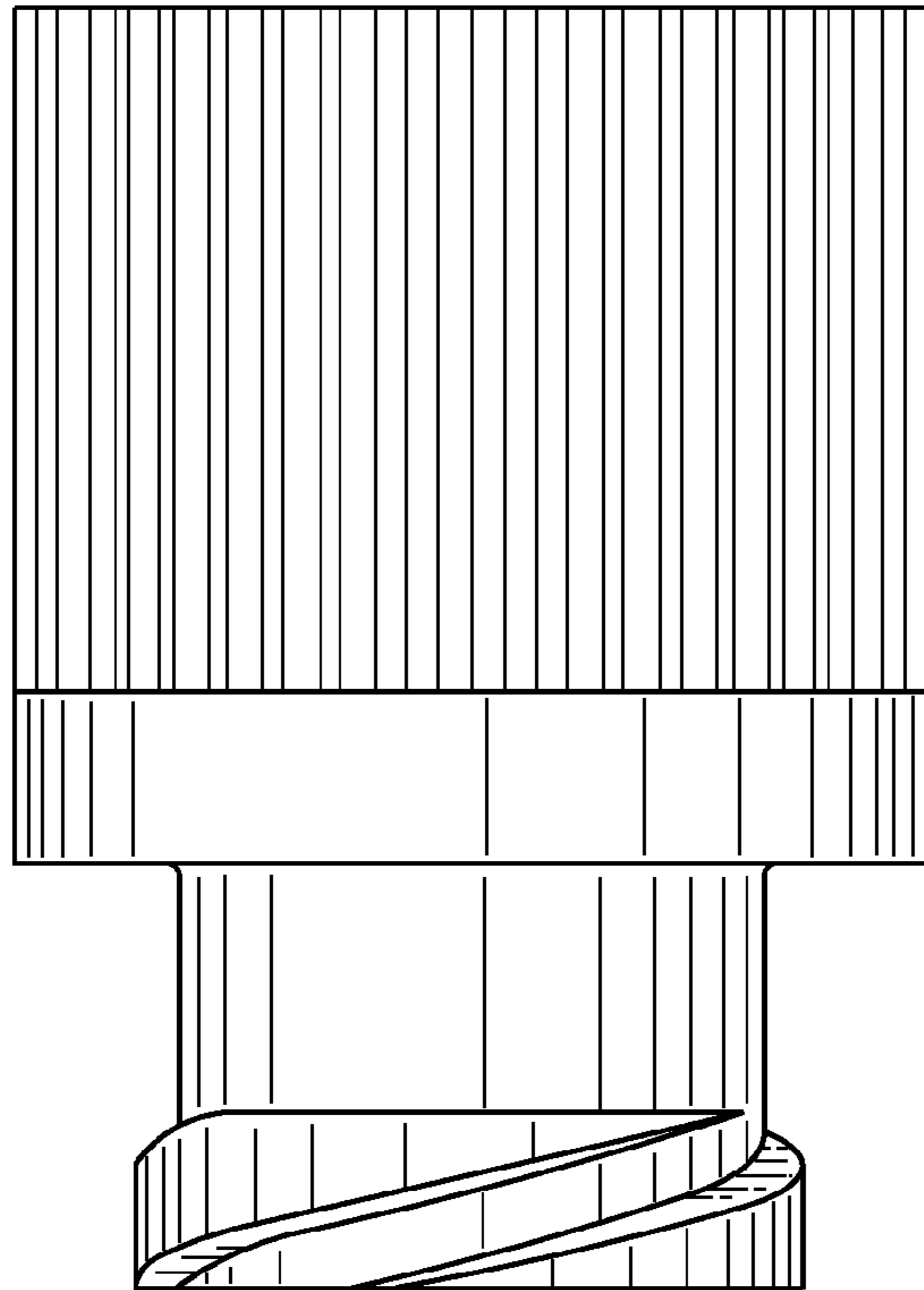


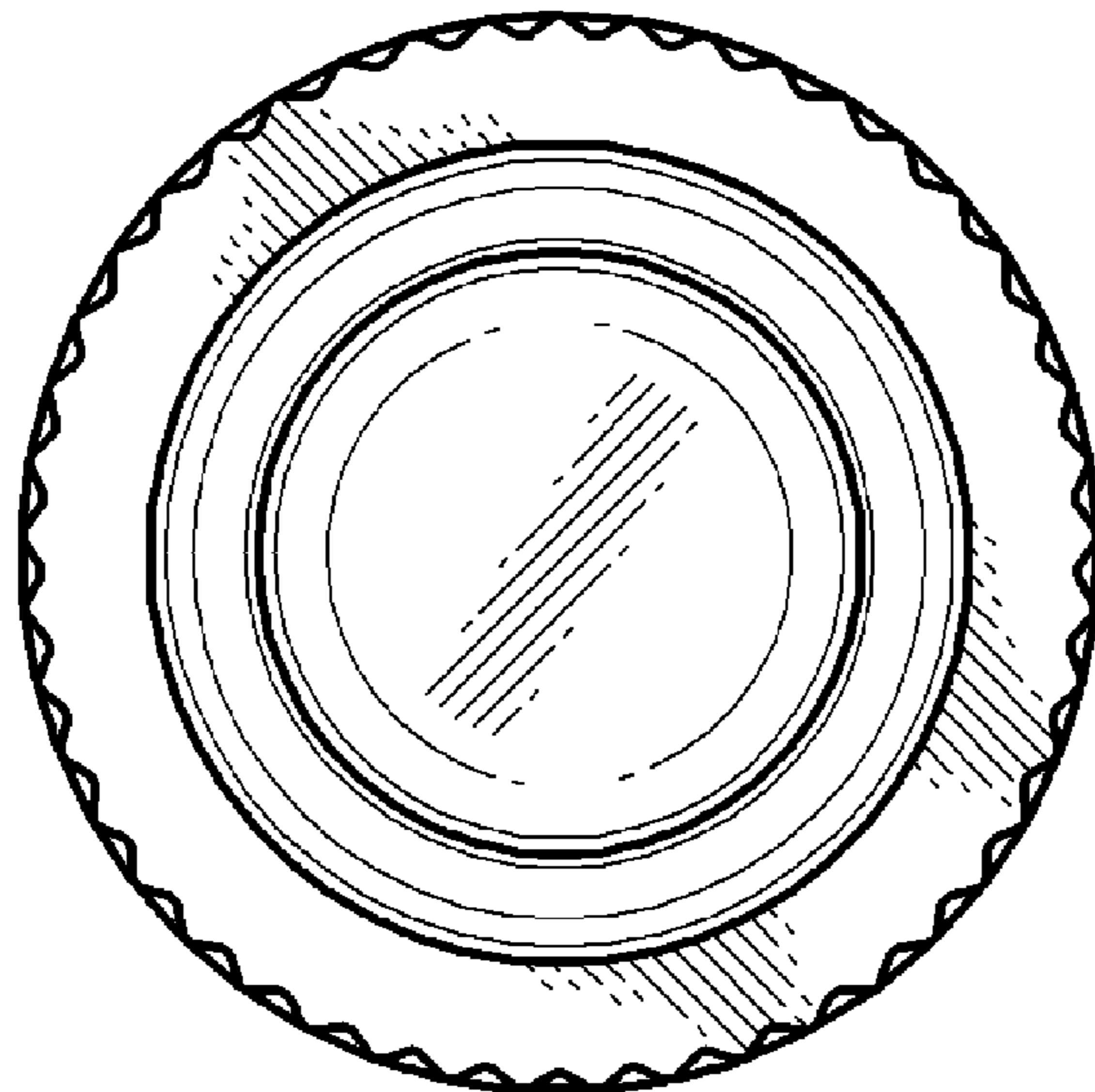
FIG. 3



F I G . 4



F I G. 5



F I G. 6

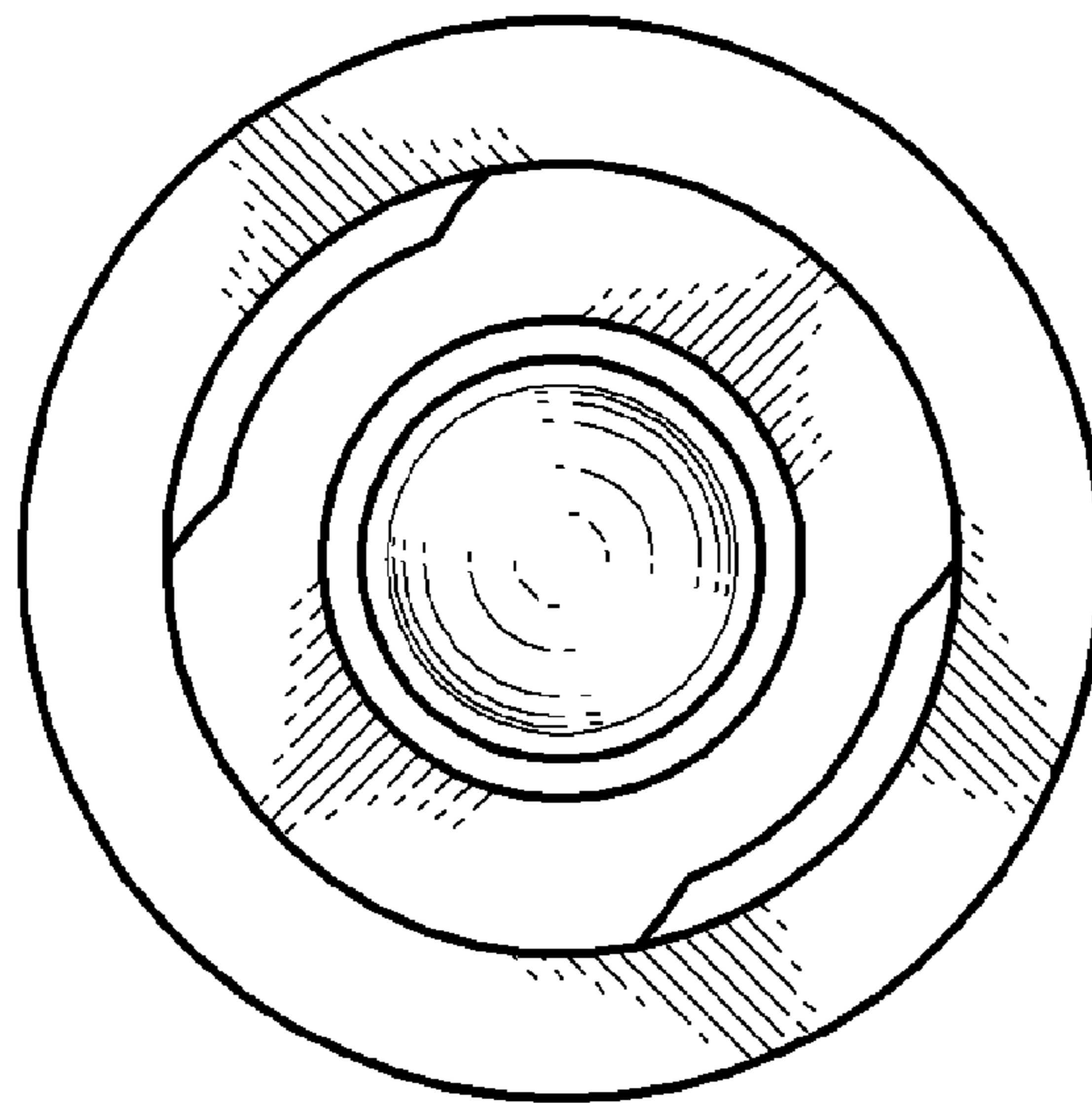
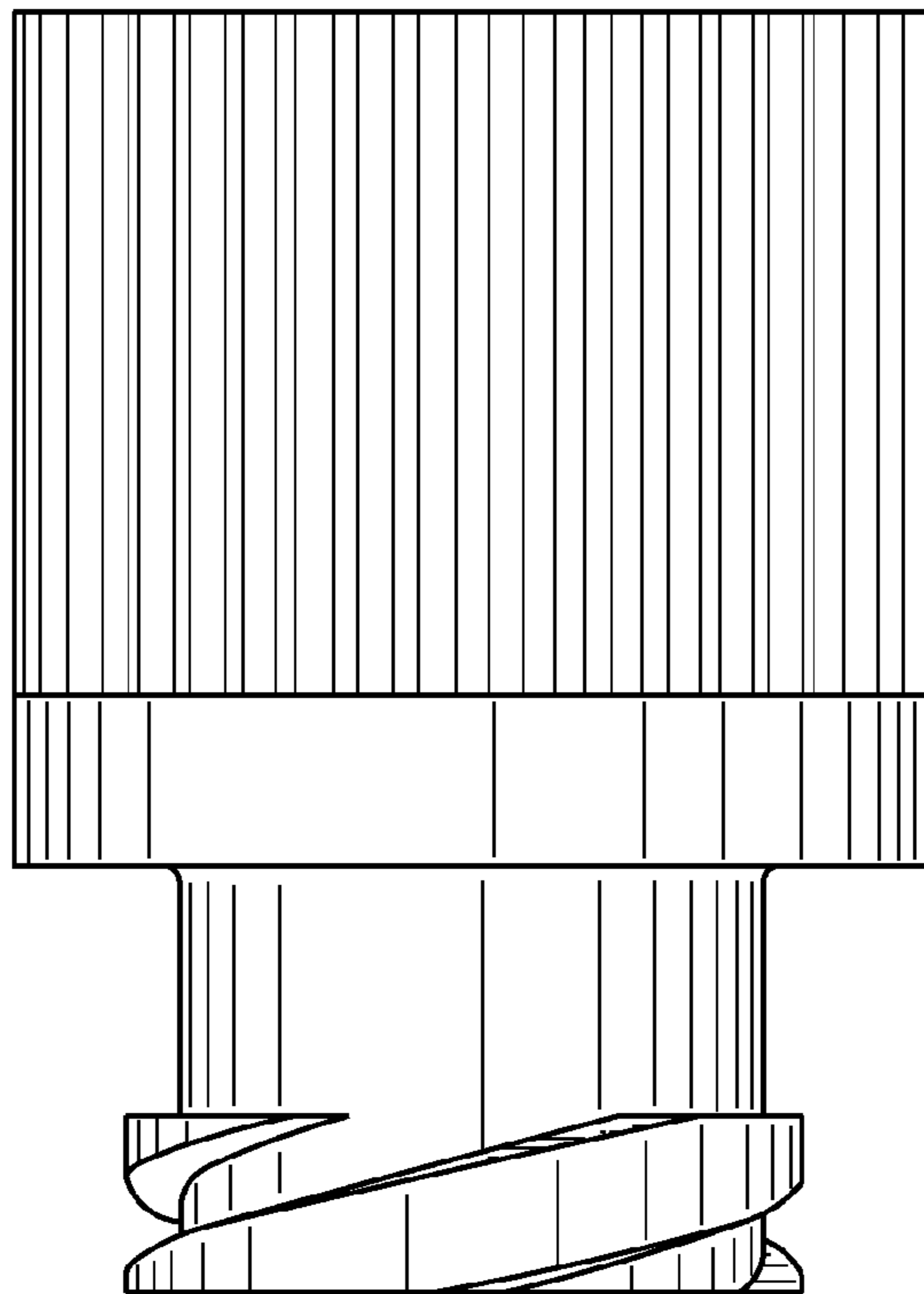
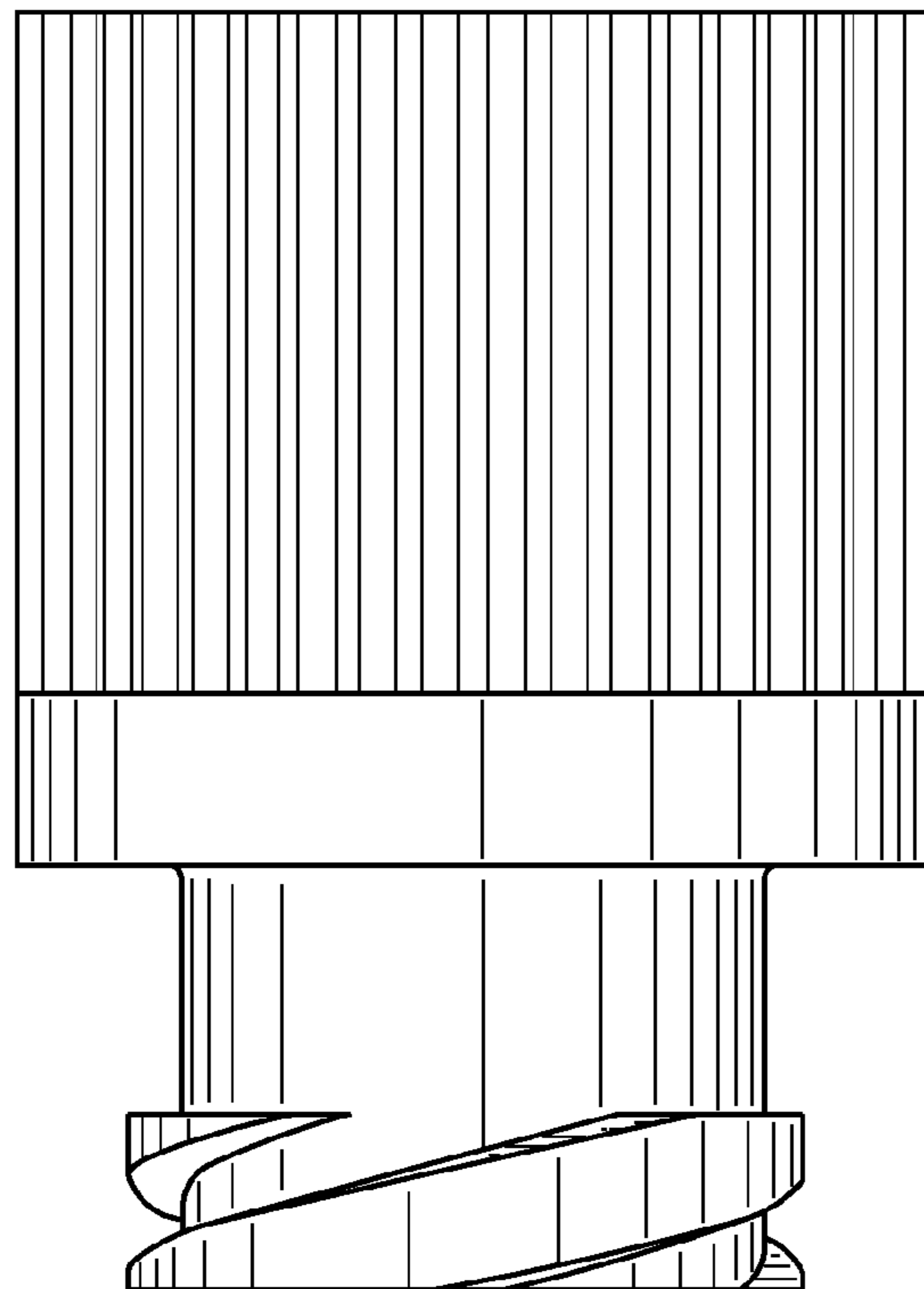


FIG. 7





F I G . 8



F I G. 9

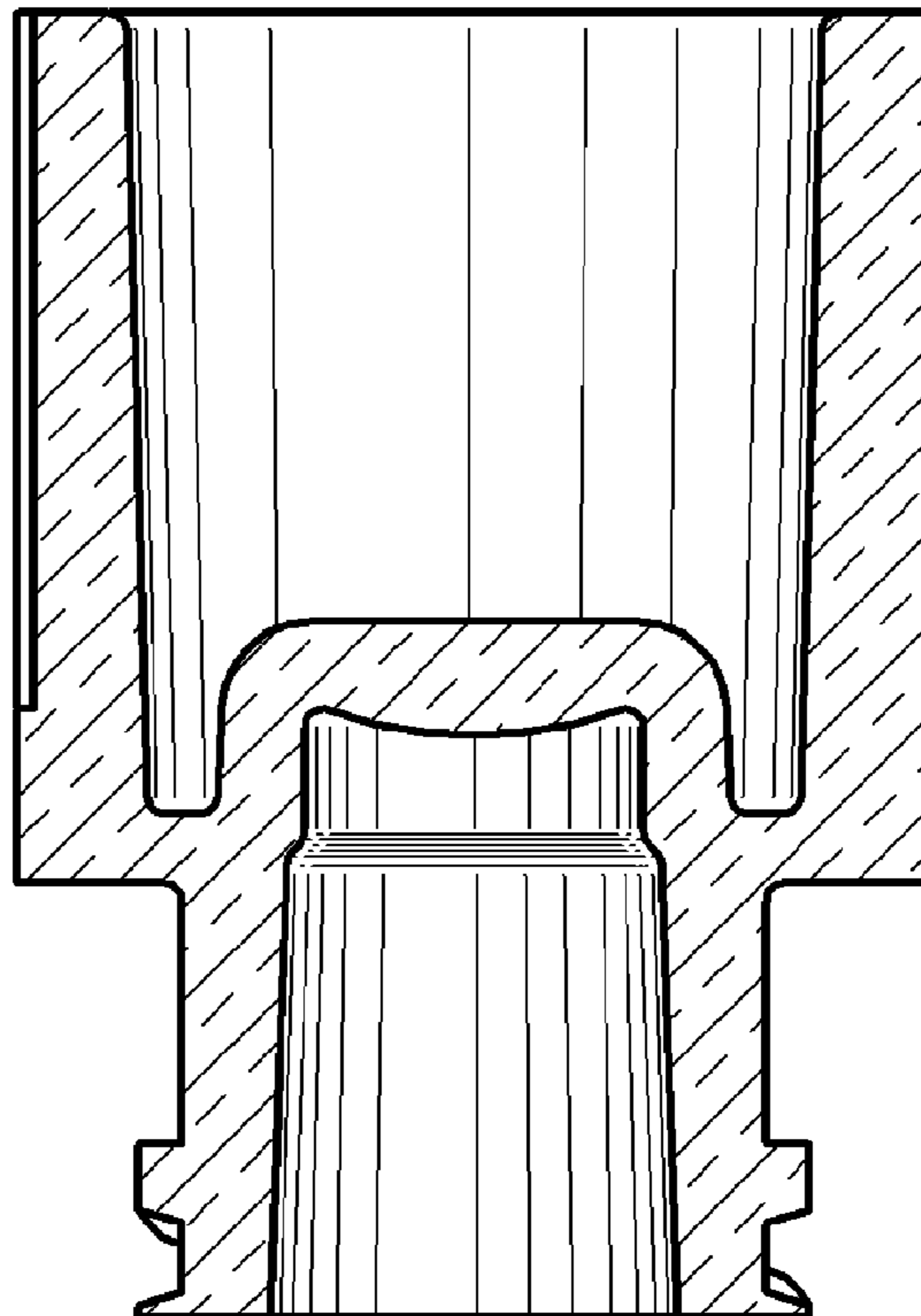


FIG. 10

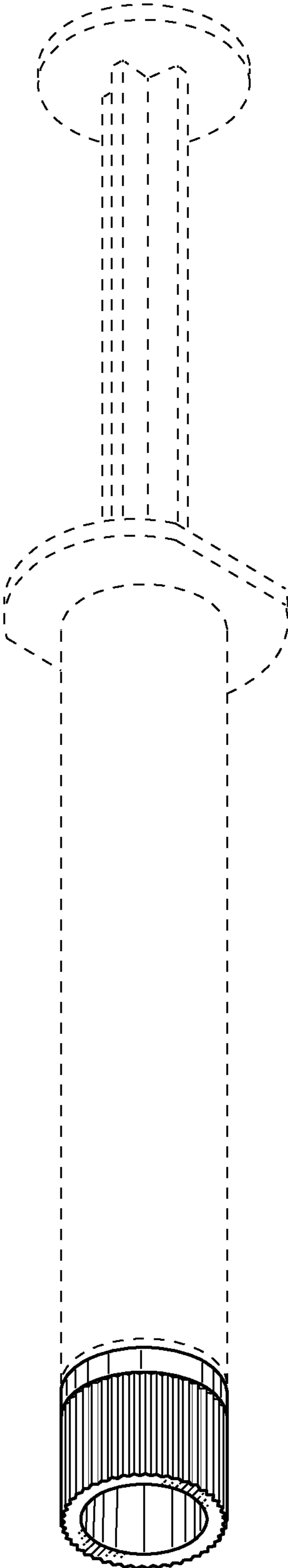


FIG. 11

