



US00D691259S

(12) **United States Design Patent**
Estes et al.

(10) **Patent No.:** **US D691,259 S**
(45) **Date of Patent:** **** Oct. 8, 2013**

(54) **CONTROLLER FOR AN INFUSION PUMP**

(75) Inventors: **Mark C. Estes**, Malibu, CA (US);
Geoffrey C. Sims, Campbell, CA (US);
Jeremy J. Odegard, River Falls, WI
(US); **Michael W. Horvath**, Cottage
Grove, MN (US)

(73) Assignee: **Asante Solutions, Inc.**, Sunnyvale, CA
(US)

(**) Term: **14 Years**

(21) Appl. No.: **29/432,230**

(22) Filed: **Sep. 14, 2012**

Related U.S. Application Data

(63) Continuation of application No. 29/362,571, filed on
May 27, 2010, now Pat. No. Des. 669,167.

(51) **LOC (9) Cl.** **24-02**

(52) **U.S. Cl.**
USPC **D24/111**

(58) **Field of Classification Search**
USPC D24/108, 111, 169; D15/7, 9; D13/168;
128/DIG. 12, DIG. 13; 604/65-67, 131,
604/135, 143, 151-153, 503-504, 890.1
See application file for complete search history.

(56) **References Cited**

U.S. PATENT DOCUMENTS

4,749,109	A *	6/1988	Kamen	128/DIG. 12
5,554,123	A *	9/1996	Herskowitz	604/143
5,637,095	A *	6/1997	Nason et al.	604/135
6,056,728	A *	5/2000	von Schuckmann	604/135
D460,053	S *	7/2002	Choi	D13/168
8,202,249	B2 *	6/2012	Iio et al.	604/152

8,262,616	B2 *	9/2012	Grant et al.	604/151
2005/0245878	A1	11/2005	Mernoe et al.		
2005/0251097	A1	11/2005	Mernoe		
2005/0273059	A1	12/2005	Mernoe et al.		
2007/0073228	A1	3/2007	Mernoe et al.		
2007/0073235	A1	3/2007	Estes et al.		
2007/0073236	A1	3/2007	Mernoe et al.		
2007/0167912	A1	7/2007	Causey et al.		
2007/0179444	A1	8/2007	Causey et al.		
2008/0294094	A1	11/2008	Mhatre et al.		
2008/0294108	A1	11/2008	Briones et al.		
2008/0294109	A1	11/2008	Estes et al.		
2008/0294142	A1	11/2008	Patel et al.		
2009/0067989	A1	3/2009	Estes et al.		
2009/0069745	A1	3/2009	Estes et al.		
2009/0069746	A1	3/2009	Miller et al.		

(Continued)

Primary Examiner — Wan Laymon

(74) *Attorney, Agent, or Firm* — Fish & Richardson P.C.

(57) **CLAIM**

The ornamental design for a controller for an infusion pump,
substantially as shown and described.

DESCRIPTION

FIG. 1 is a perspective view of a controller for an infusion
pump in accordance with our design.

FIG. 2 is a bottom view of the controller of FIG. 1.

FIG. 3 is a top view of the controller of FIG. 1.

FIG. 4 is a right side view of the controller of FIG. 1.

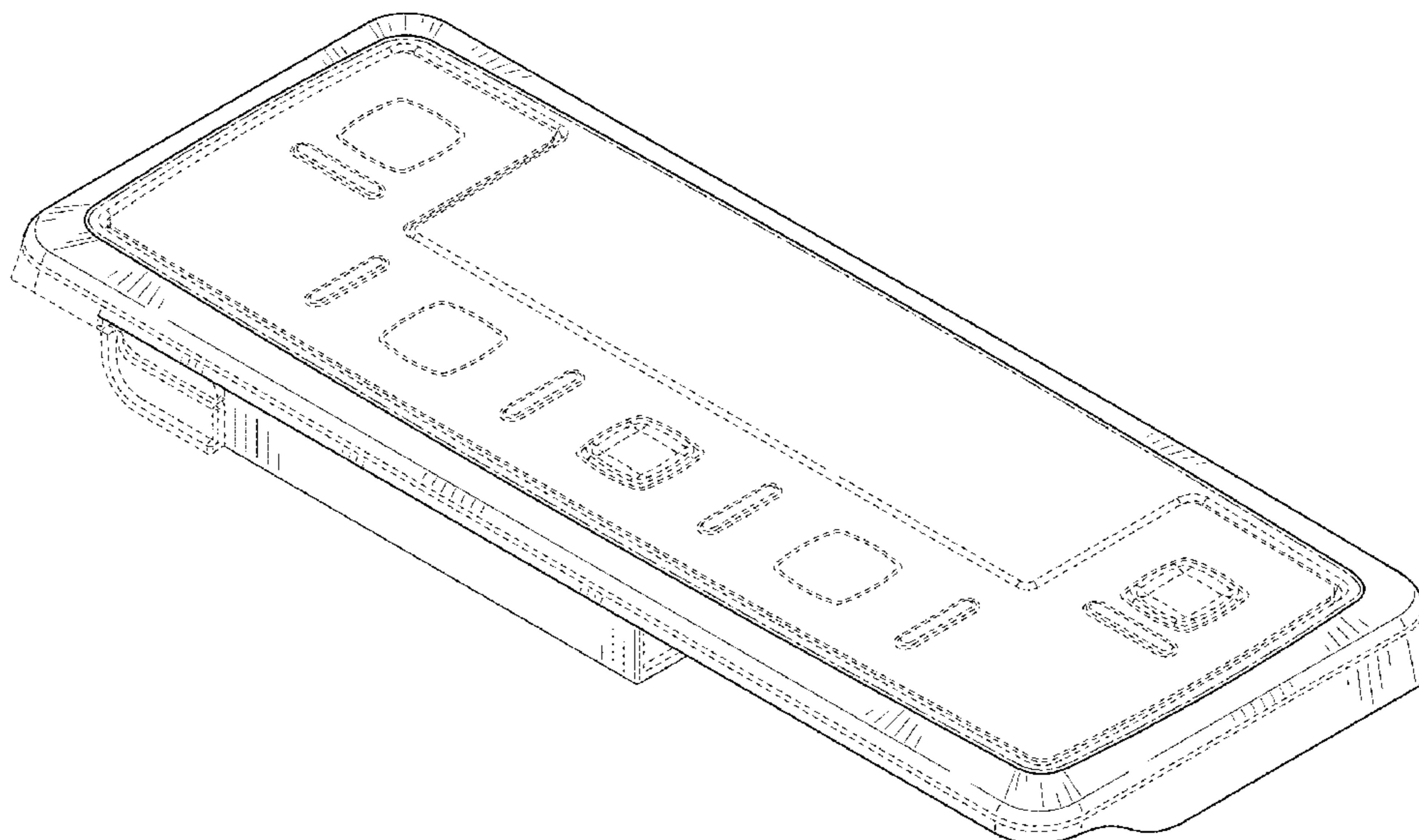
FIG. 5 is a left side view of the controller of FIG. 1.

FIG. 6 is a front view of the controller of FIG. 1; and,

FIG. 7 is a rear view of the controller of FIG. 1.

The broken lines immediately adjacent the shaded areas rep-
resent the bounds of the claimed design while all other broken
lines represent environment and are for illustrative purposes
only; the broken lines form no part of the claimed design.

1 Claim, 5 Drawing Sheets



(56)

References Cited

U.S. PATENT DOCUMENTS

2009/0069749 A1 3/2009 Mochel et al.
2009/0069784 A1 3/2009 Estes et al.
2009/0069785 A1 3/2009 Miller et al.
2009/0069787 A1 3/2009 Estes et al.

2009/0156990 A1 6/2009 Wenger et al.
2011/0040247 A1* 2/2011 Mandro et al. 604/66
2012/0215201 A1* 8/2012 Brauker et al. 604/504
2012/0238999 A1* 9/2012 Estes et al. 604/504
2012/0330270 A1* 12/2012 Colton 604/152

* cited by examiner

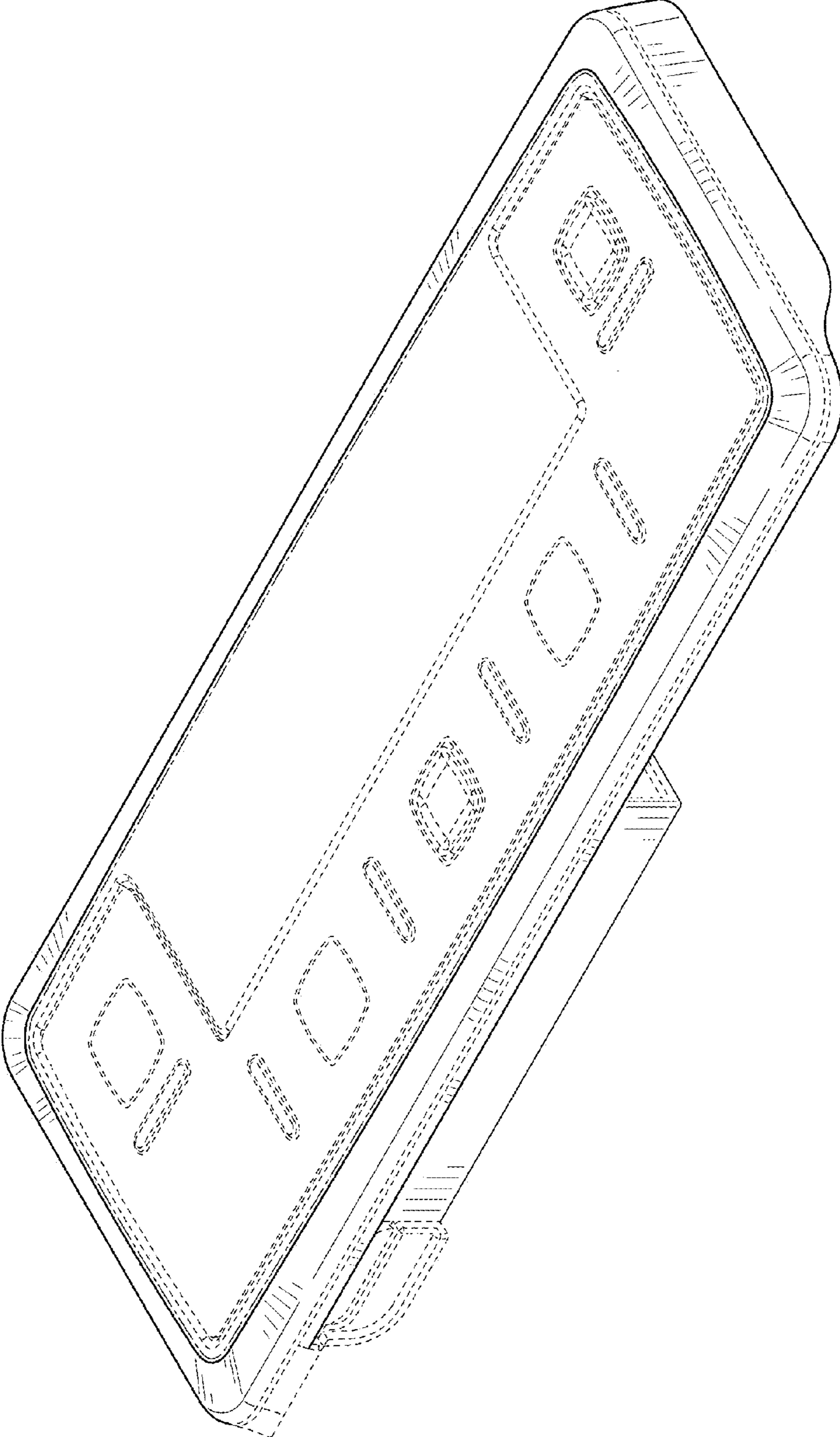


FIG. 1

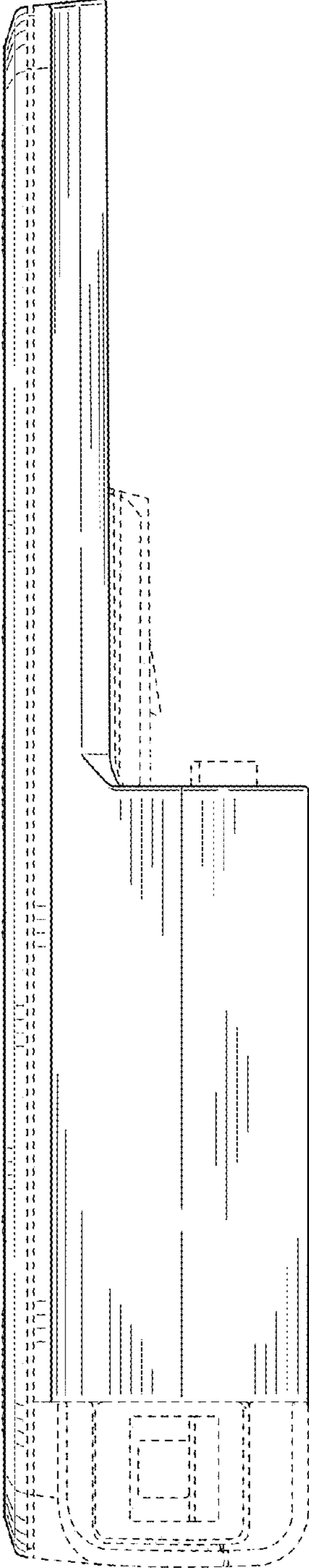


FIG. 2

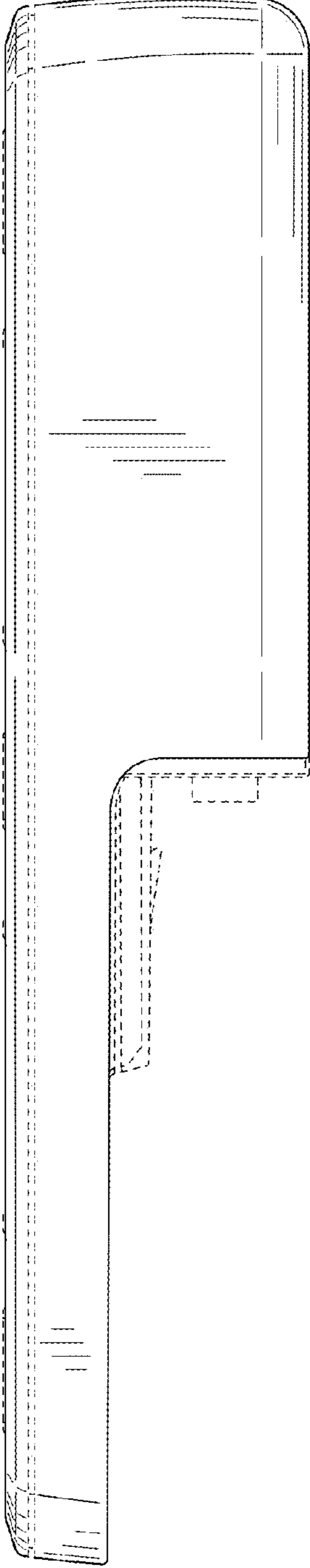


FIG. 3

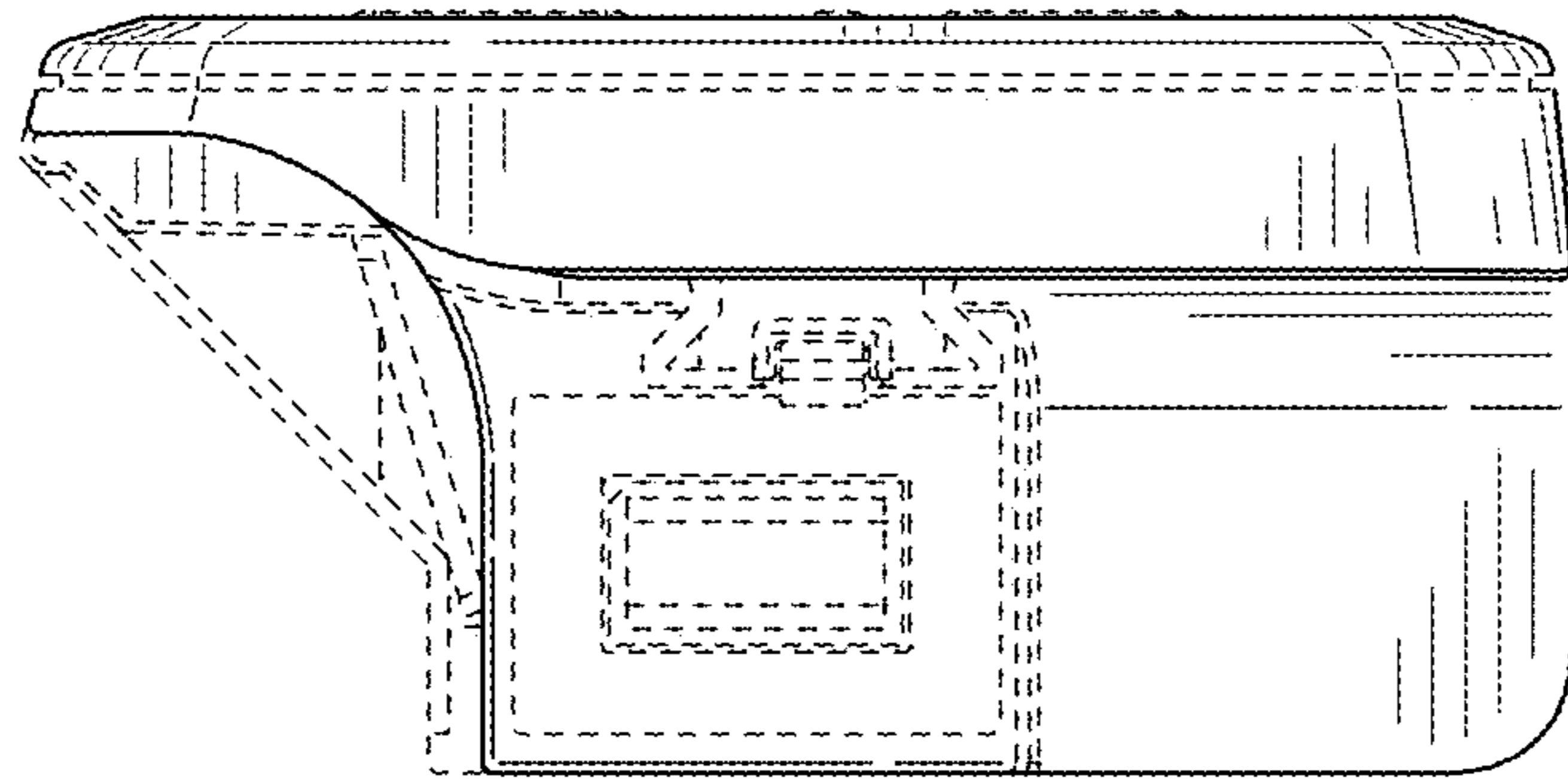


FIG. 4

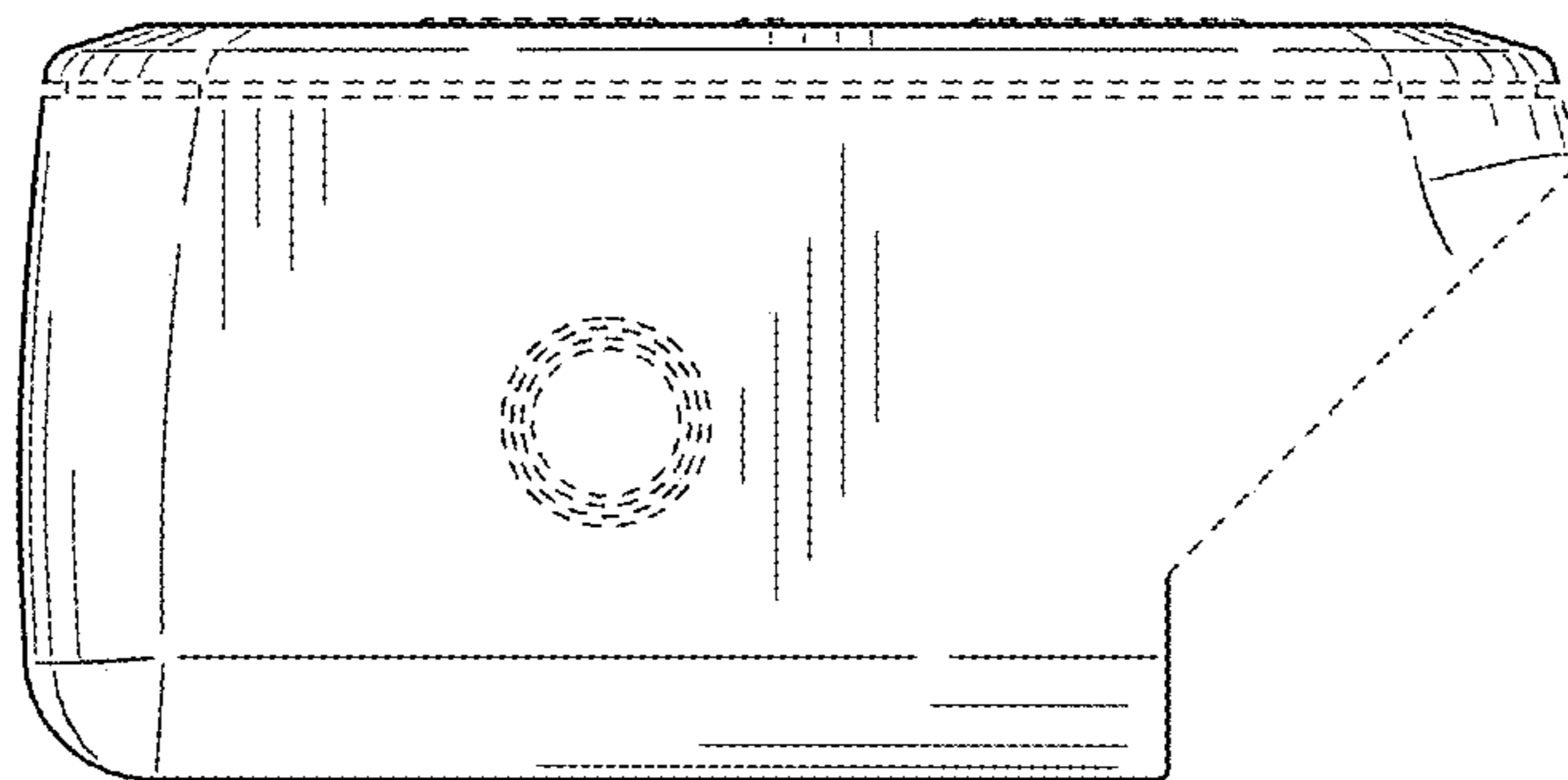


FIG. 5

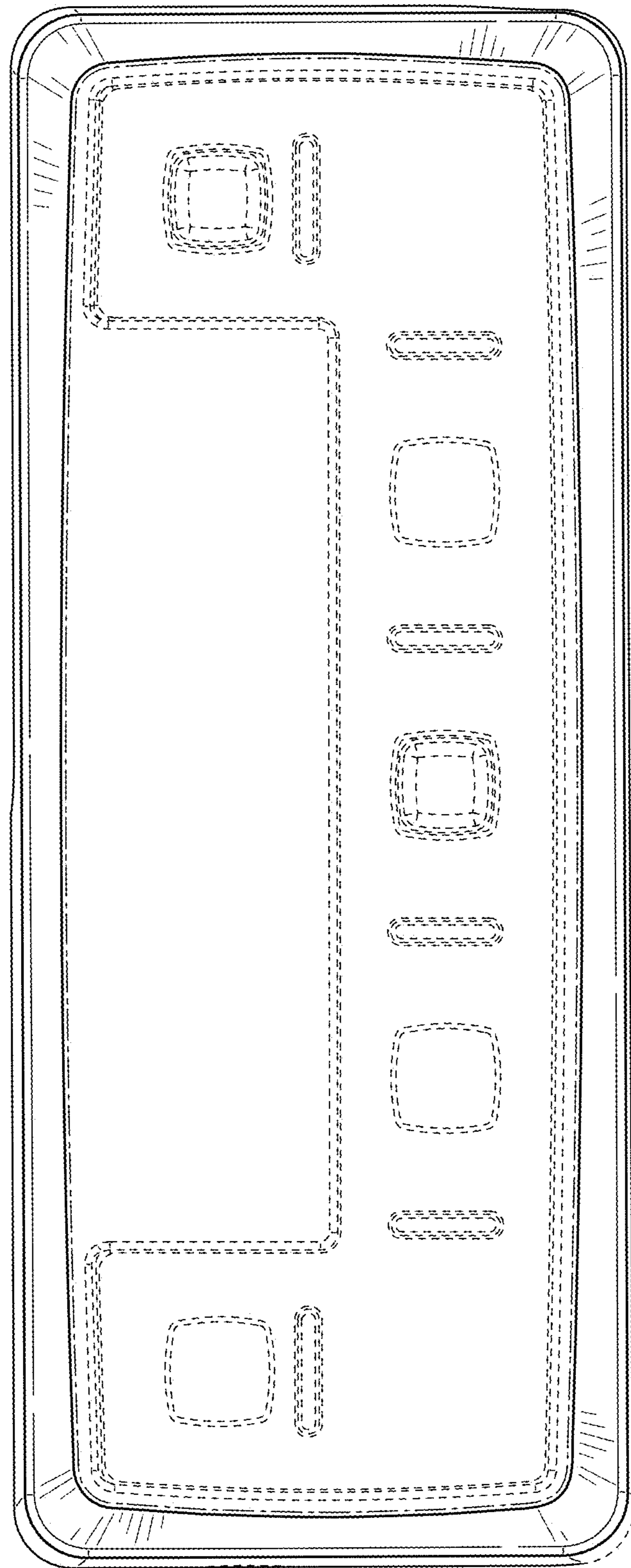


FIG. 6

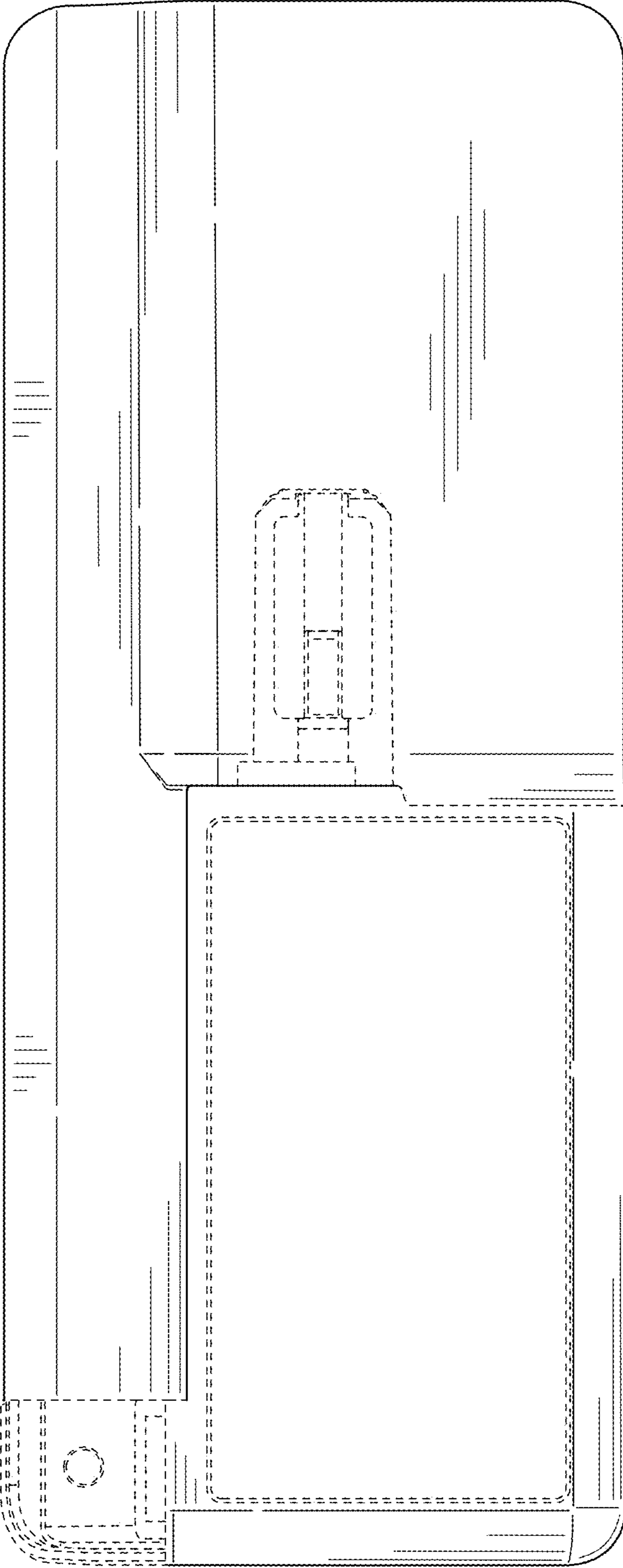


FIG. 7