



US00D691253S

(12) **United States Design Patent**  
**Chen**

(10) **Patent No.:** **US D691,253 S**  
(45) **Date of Patent:** **\*\* Oct. 8, 2013**

(54) **AROMA DIFFUSER**  
(71) Applicant: **Serene House International Enterprise Ltd.**, Road Town (VG)  
(72) Inventor: **Lee-Wei Chen**, Taipei (TW)  
(73) Assignee: **Serene House International Enterprise Ltd.**, Road Town (VG)  
(\*\*) Term: **14 Years**

(21) Appl. No.: **29/441,517**  
(22) Filed: **Jan. 7, 2013**  
(51) **LOC (9) Cl.** ..... **28-99**  
(52) **U.S. Cl.**  
USPC ..... **D23/366**  
(58) **Field of Classification Search**  
USPC ..... D23/355-369; D28/5, 6; 261/DIG. 17, 261/DIG. 42, DIG. 65, DIG. 88, DIG. 89, 261/DIG. 47, DIG. 55, DIG. 70; 392/356, 392/390, 392, 394, 395; 239/34, 44, 53, 55, 239/56, 326, 60, 308; D9/687; D7/591  
See application file for complete search history.

(56) **References Cited**  
U.S. PATENT DOCUMENTS  
D370,704 S \* 6/1996 Oberhoff ..... D21/684  
D460,168 S \* 7/2002 Chen ..... D23/364  
D510,134 S \* 9/2005 Lablaine ..... D23/366

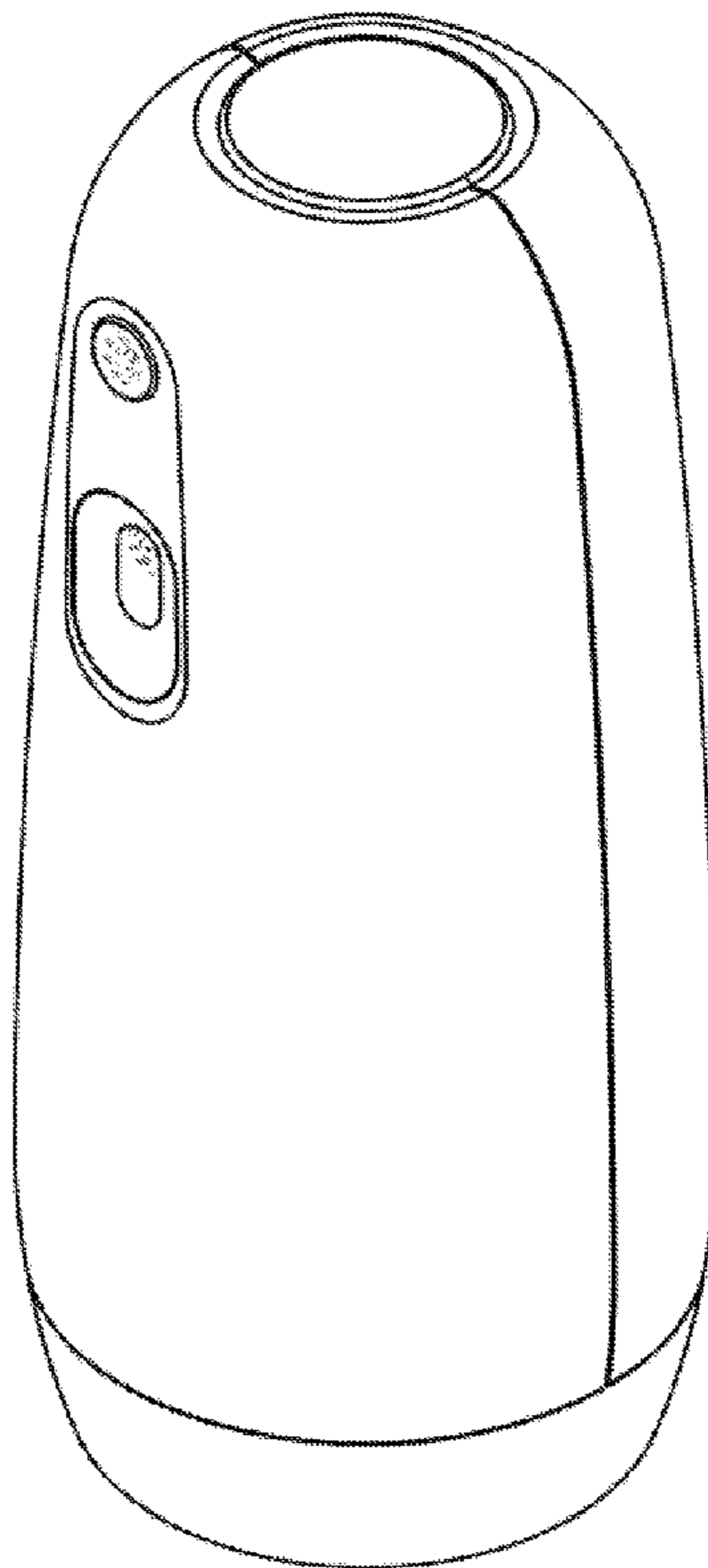
D510,135 S \* 9/2005 Mariotti ..... D23/366  
D538,668 S \* 3/2007 Campbell et al. .... D9/529  
D541,923 S \* 5/2007 Castillo Higareda ..... D23/366  
D561,884 S \* 2/2008 Furner et al. .... D23/366  
D561,885 S \* 2/2008 Furner et al. .... D23/366  
D561,886 S \* 2/2008 Furner et al. .... D23/366  
D583,453 S \* 12/2008 Kay et al. .... D23/366  
D583,454 S \* 12/2008 Kay et al. .... D23/366  
D583,455 S \* 12/2008 Kay et al. .... D23/366  
D595,829 S \* 7/2009 Drucker et al. .... D23/366  
D644,313 S \* 8/2011 Westphal ..... D23/366  
2007/0181609 A1\* 8/2007 Rymer ..... 222/402.1

\* cited by examiner  
*Primary Examiner* — Sandra Snapp  
(74) *Attorney, Agent, or Firm* — Ming Chow; Sinorica, LLC

(57) **CLAIM**  
The ornamental design for an aroma diffuser, as shown and described.

**DESCRIPTION**  
FIG. 1 is a perspective view of an aroma diffuser showing my new design;  
FIG. 2 is a front view thereof;  
FIG. 3 is a rear view thereof;  
FIG. 4 is a left side view thereof;  
FIG. 5 is a right side view thereof;  
FIG. 6 is a top view thereof; and,  
FIG. 7 is a bottom view thereof.  
The broken lines shown in the drawings are for illustrative purposes only and form no part of the claimed design.

**1 Claim, 7 Drawing Sheets**



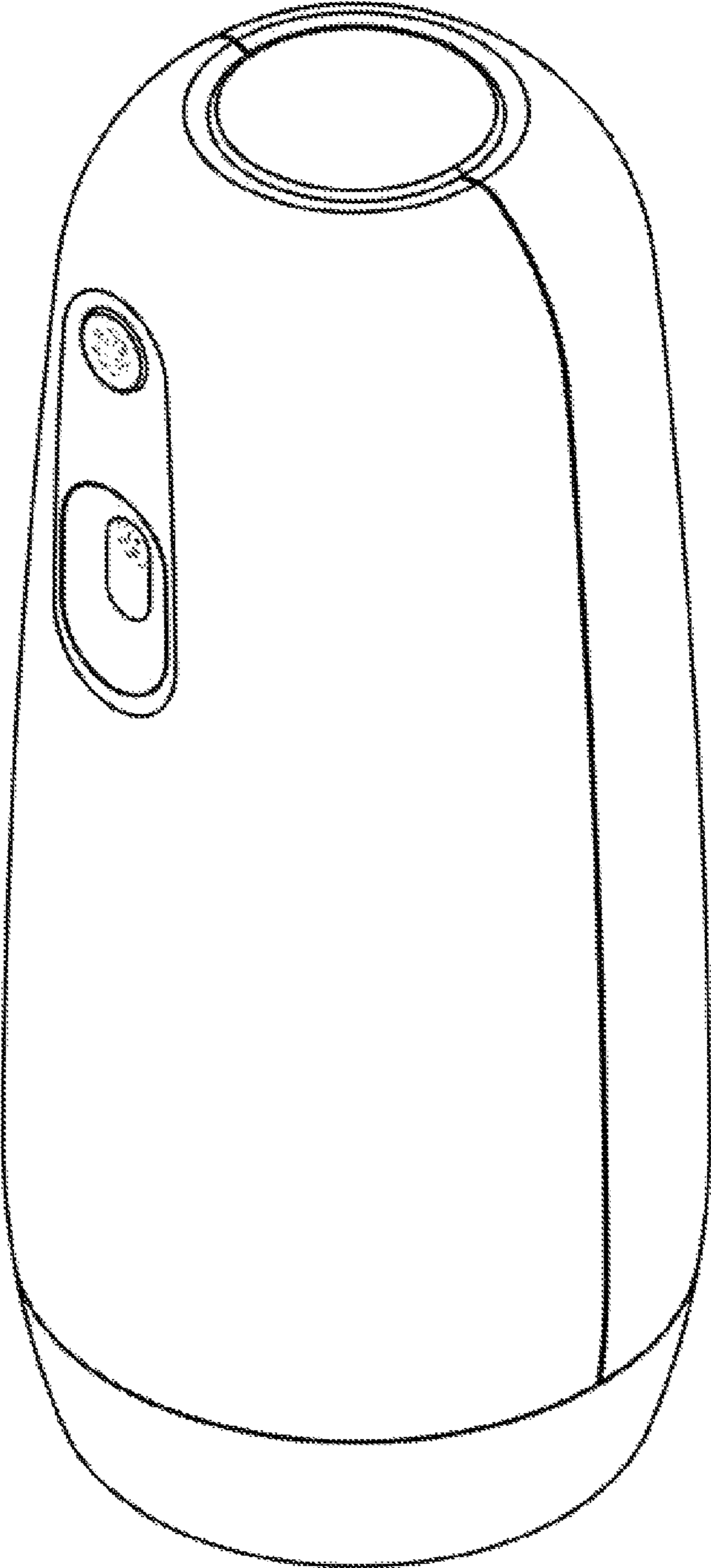


FIG. 1

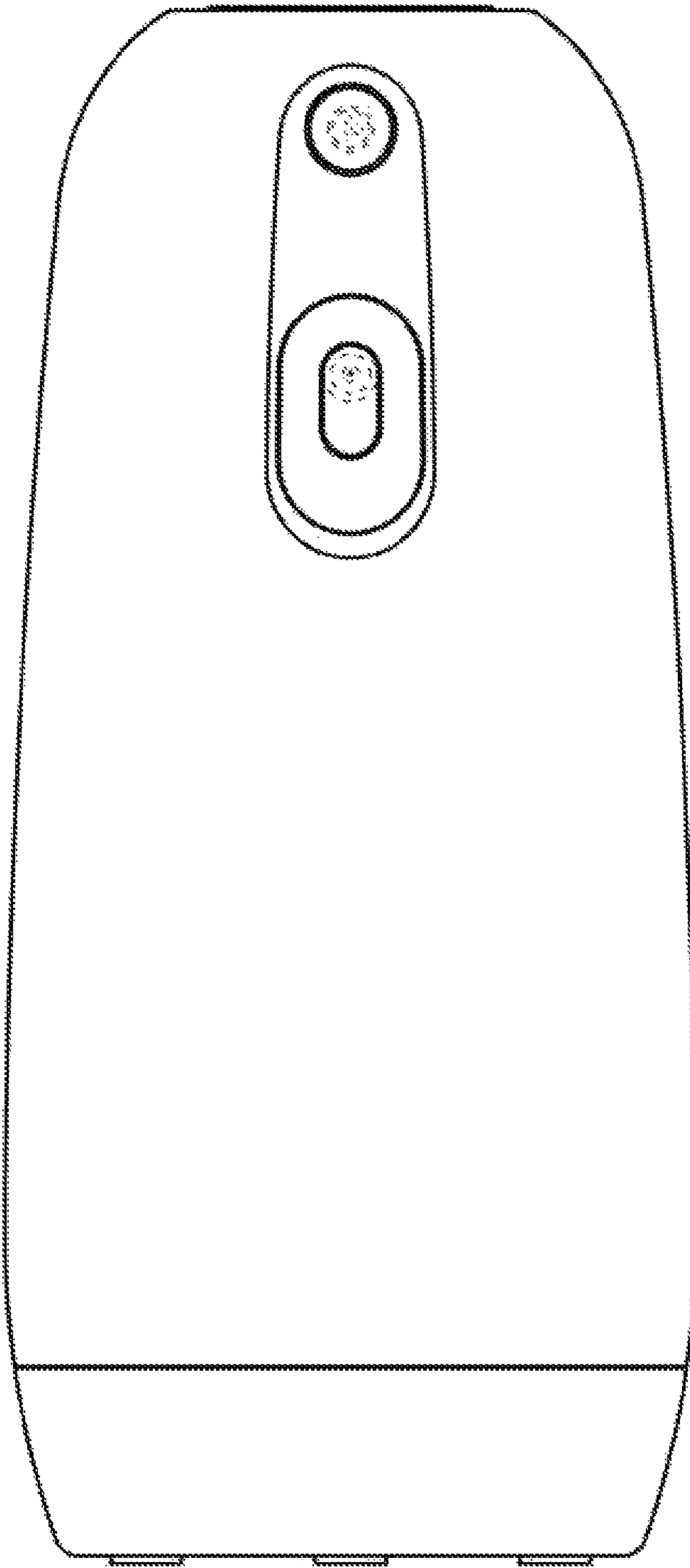


FIG. 2

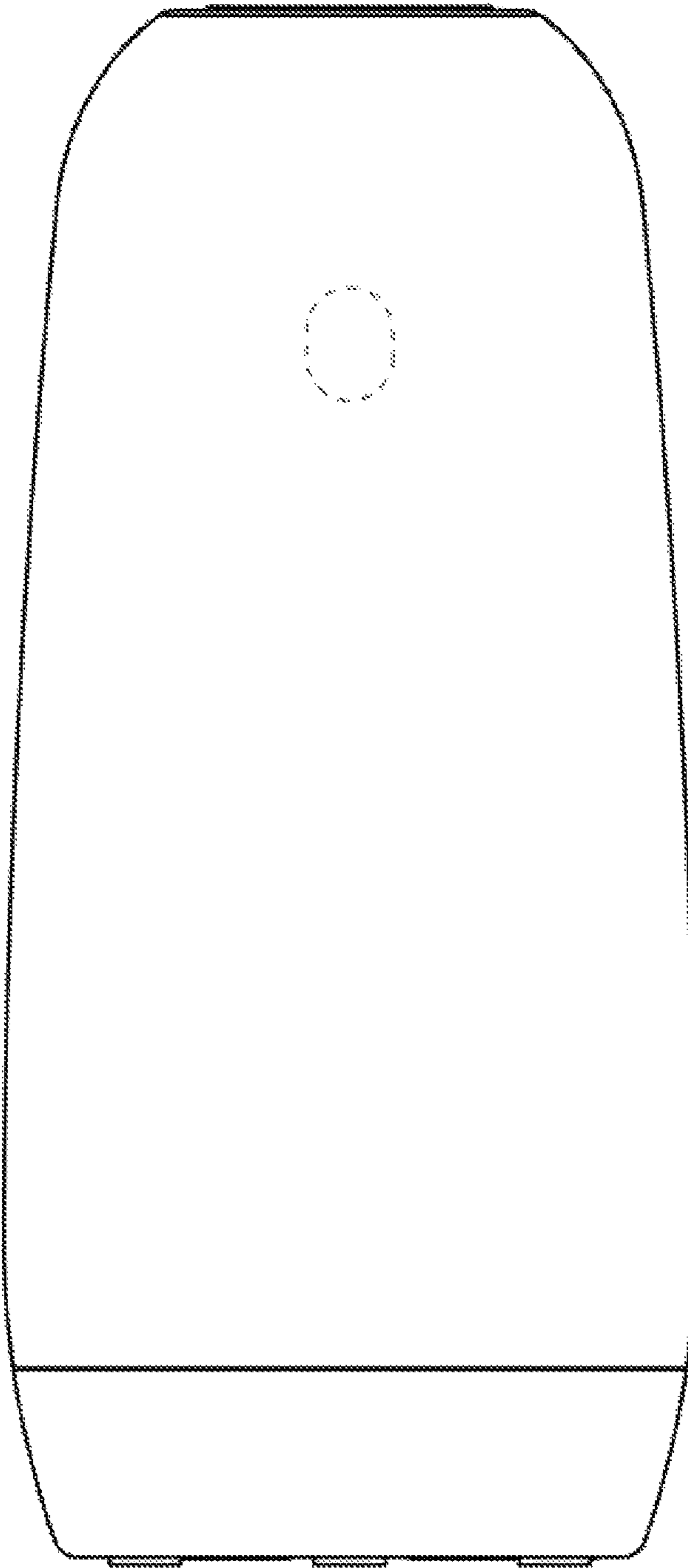


FIG. 3

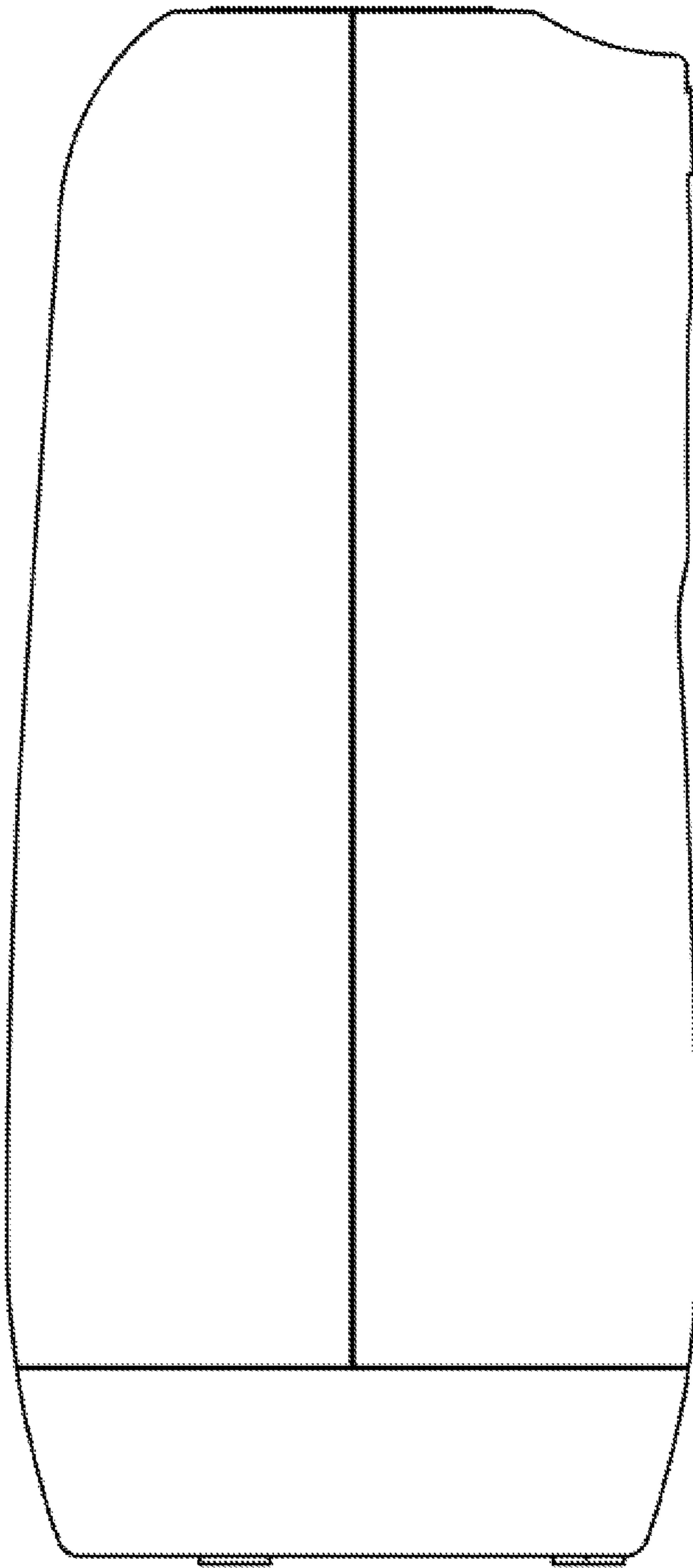


FIG. 4

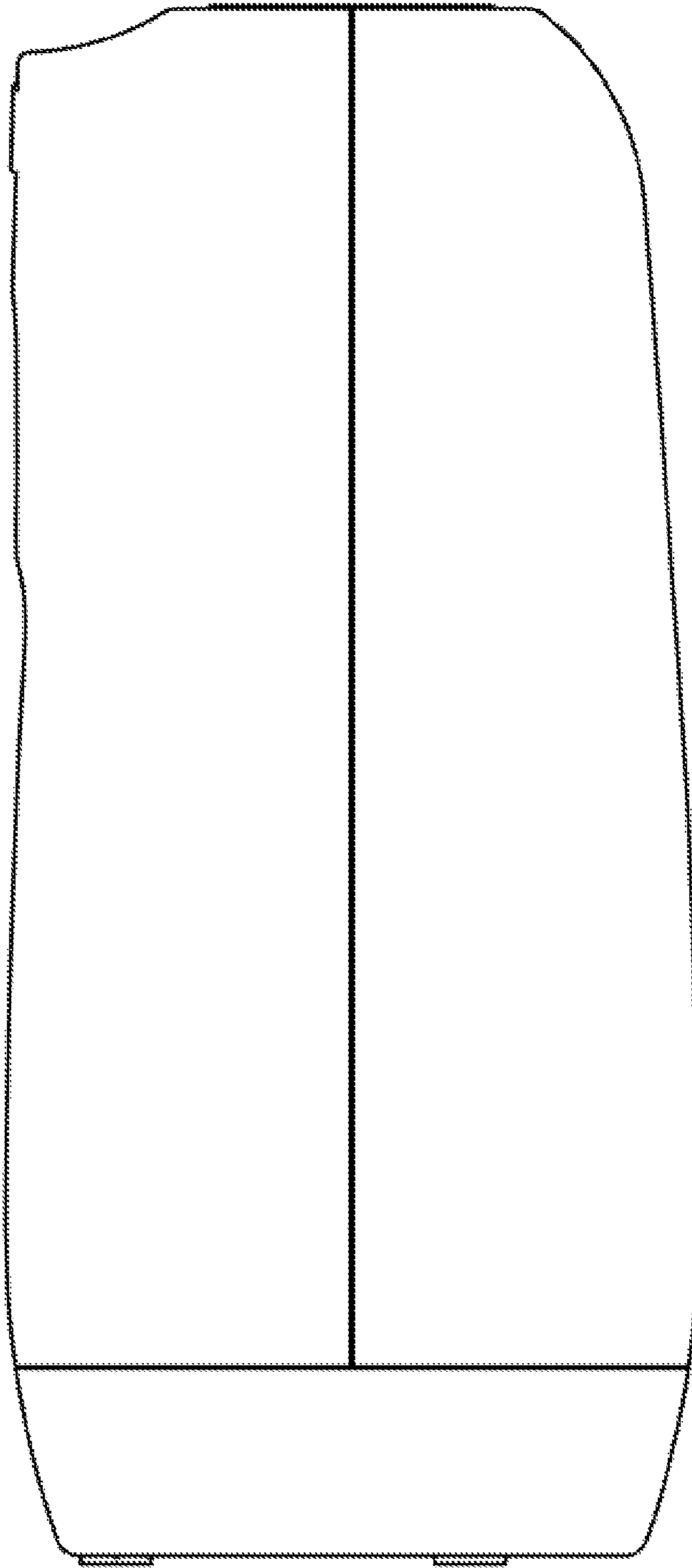


FIG. 5

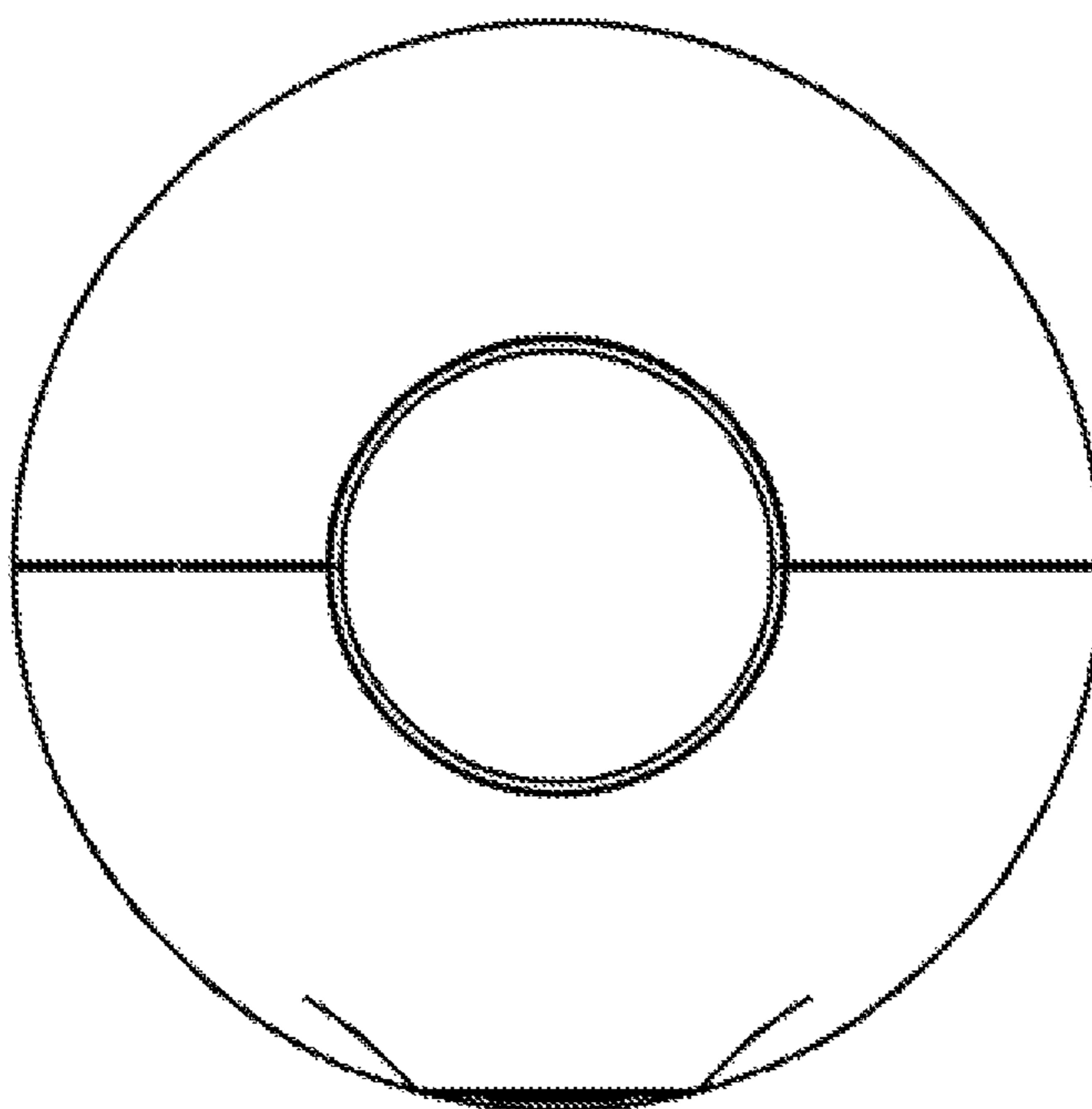


FIG. 6

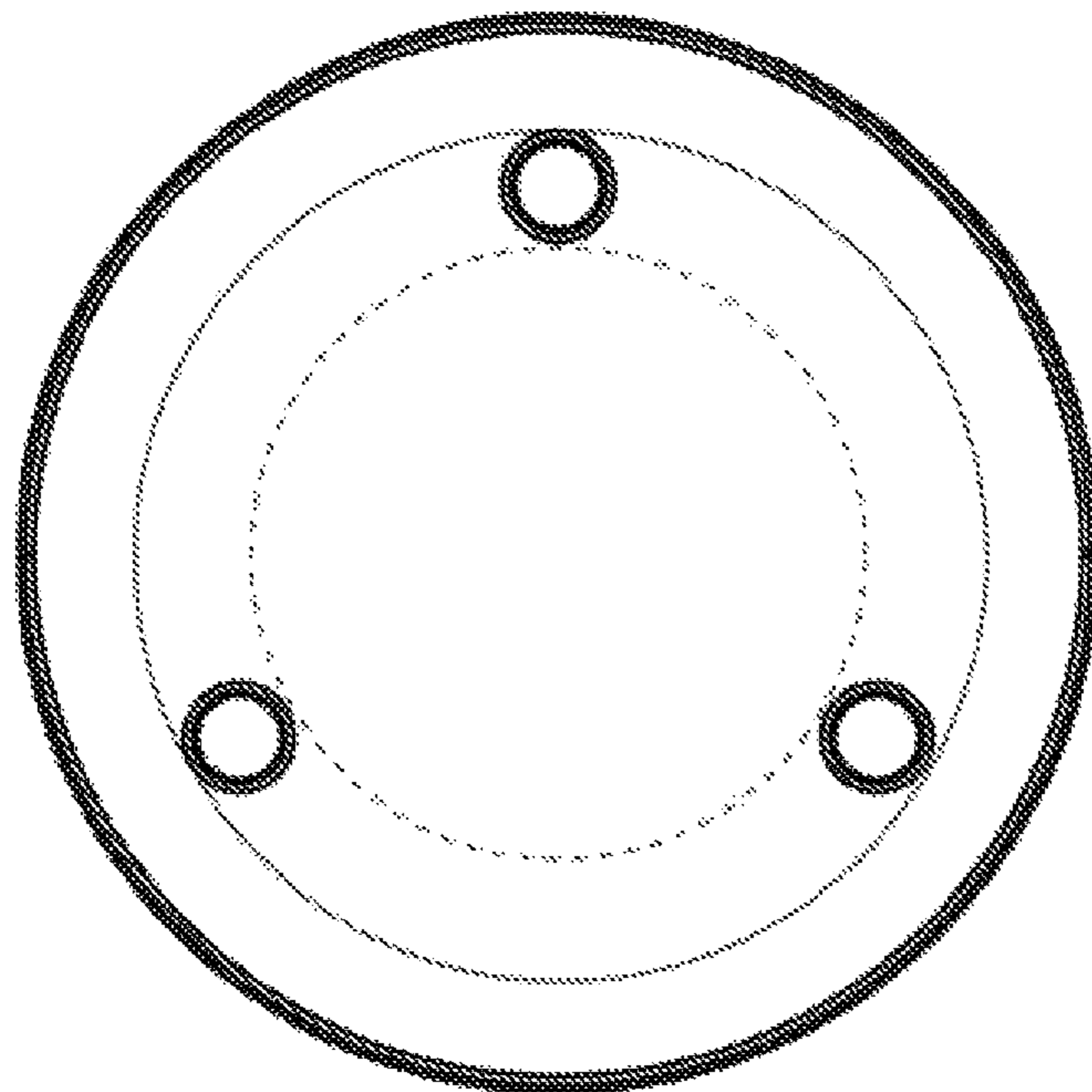


FIG. 7