



US00D691252S

(12) **United States Design Patent**  
**Moredock et al.**

(10) **Patent No.:** **US D691,252 S**  
(45) **Date of Patent:** **\*\* Oct. 8, 2013**

(54) **FILTER CARTRIDGE FOR AIR CLEANER**

(75) Inventors: **James G. Moredock**, Neptune Beach,  
FL (US); **Eric L. Ehrenberg**,  
Jacksonville, FL (US)

(73) Assignee: **The Sy-Klone Company**, Jacksonville,  
FL (US)

(\*\*) Term: **14 Years**

(21) Appl. No.: **29/401,697**

(22) Filed: **Sep. 14, 2011**

(51) **LOC (9) Cl.** ..... **23-04**

(52) **U.S. Cl.**  
USPC ..... **D23/365**

(58) **Field of Classification Search**

USPC ..... D23/209, 341, 354, 358, 363, 364-365,  
D23/386; 55/385.3, 422, 493, 495, 497,  
55/502, 505-506, 52, DIG. 30; 210/130,  
210/136, 248, 339, 435, 448, 452, 497.1;  
D15/5

See application file for complete search history.

(56) **References Cited**

**U.S. PATENT DOCUMENTS**

4,314,832	A *	2/1982	Fox	55/482
4,350,509	A *	9/1982	Alseth et al.	55/337
4,488,889	A *	12/1984	McCarroll	55/502
4,890,444	A *	1/1990	Vander Giessen et al.	55/498
5,112,372	A *	5/1992	Boeckermann et al.	96/388
5,211,846	A *	5/1993	Kott et al.	210/232
5,800,581	A *	9/1998	Gielink et al.	55/385.3
D401,306	S *	11/1998	Ward et al.	D23/209
D407,475	S *	3/1999	Coulonvaux et al.	D23/364
6,280,493	B1	8/2001	Eubank	
D467,654	S *	12/2002	Klug et al.	D23/365
6,569,219	B1 *	5/2003	Connor et al.	55/495
D481,101	S *	10/2003	Boehrs et al.	D23/209
6,958,083	B1	10/2005	Schmitz et al.	
7,004,987	B2	2/2006	Pikesh et al.	

7,056,368	B2	6/2006	Moredock et al.	
7,452,409	B2	11/2008	Moredock et al.	
7,537,631	B2 *	5/2009	Scott et al.	55/498
7,662,203	B2 *	2/2010	Scott et al.	55/498
D632,770	S *	2/2011	Rotter et al.	D23/364
8,292,984	B2 *	10/2012	Baseotto et al.	55/498
8,394,166	B2 *	3/2013	Scott et al.	55/497
8,414,675	B2 *	4/2013	Iddings et al.	55/502
2007/0173188	A1	7/2007	Moredock et al.	
2012/0060453	A1 *	3/2012	Holzmann et al.	55/480

\* cited by examiner

*Primary Examiner* — Michael A Pratt

(74) *Attorney, Agent, or Firm* — Antonelli, Terry, Stout & Kraus, LLP.

(57) **CLAIM**

The ornamental design for a filter cartridge for air cleaner, as shown and described.

**DESCRIPTION**

FIG. 1 is a top plan view of one embodiment of the filter cartridge for air cleaner showing our new design;  
 FIG. 2 is a side elevational view thereof;  
 FIG. 3 is a bottom plan view thereof;  
 FIG. 4 is a perspective view thereof from the side and above;  
 FIG. 5 is a perspective view thereof from the side and below;  
 FIG. 6 is a side elevational view thereof showing the filter cartridge for air cleaner in a position of use on an air cleaner shown in dashed lines;  
 FIG. 7 is a top plan view of a second embodiment of the filter cartridge for air cleaner showing our new design;  
 FIG. 8 is a side elevational view thereof;  
 FIG. 9 is a bottom plan view thereof;  
 FIG. 10 is a perspective view thereof from the side and above; and,  
 FIG. 11 is a perspective view thereof from the side and below. The dashed lines shown in FIG. 6 are for illustrative purposes only and form no part of the claimed design.

**1 Claim, 6 Drawing Sheets**

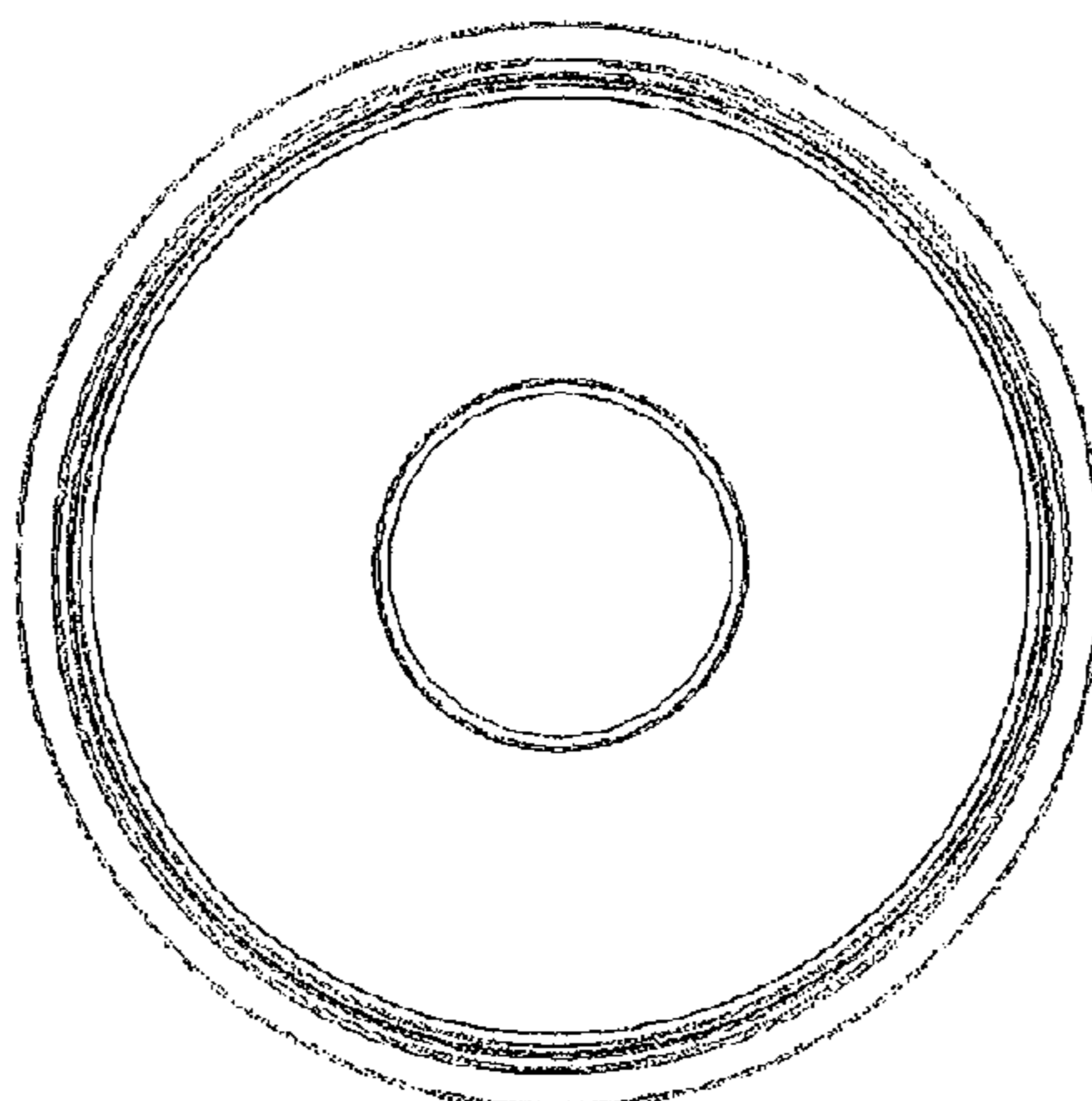


Fig. 1

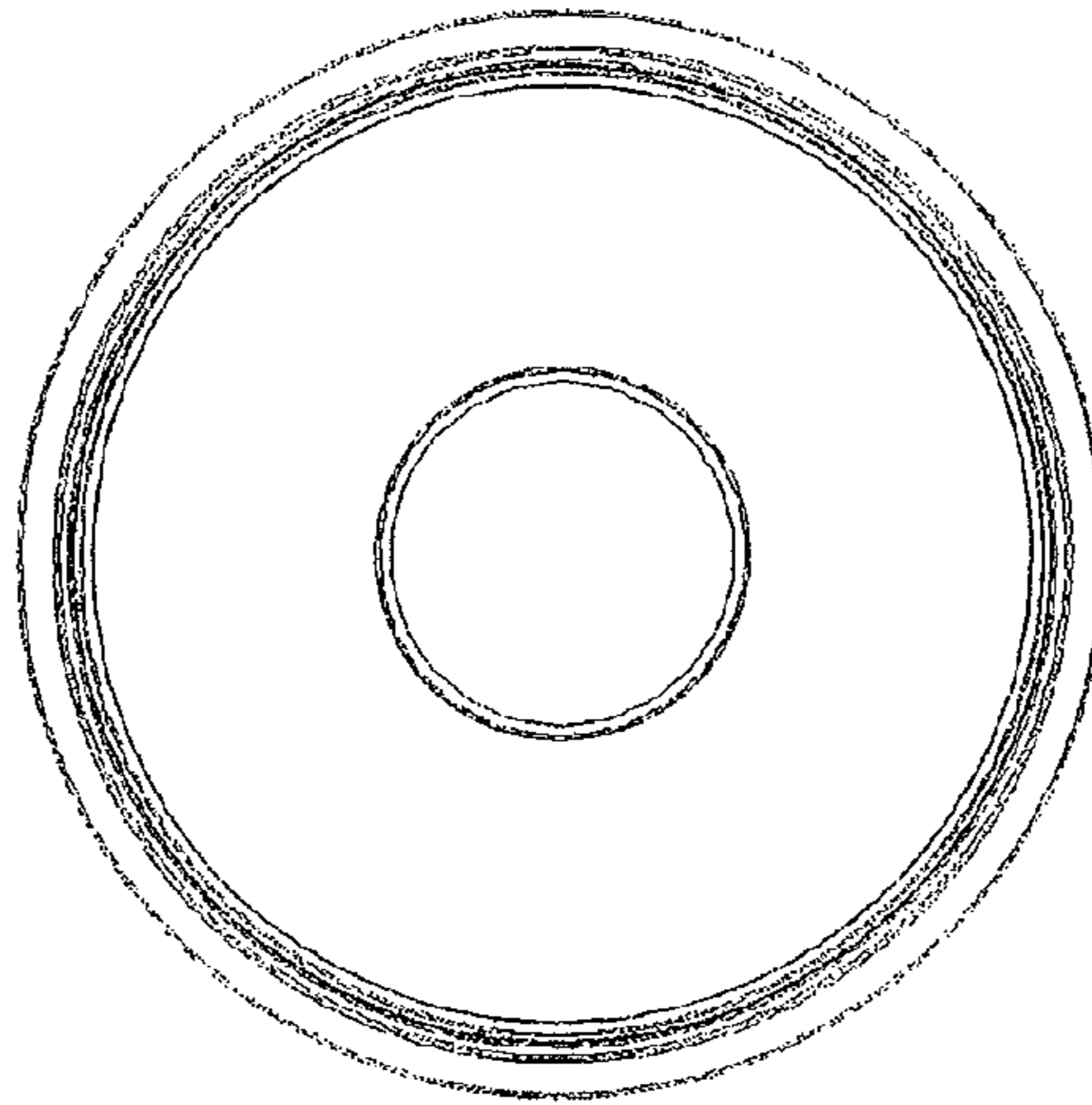


Fig. 2

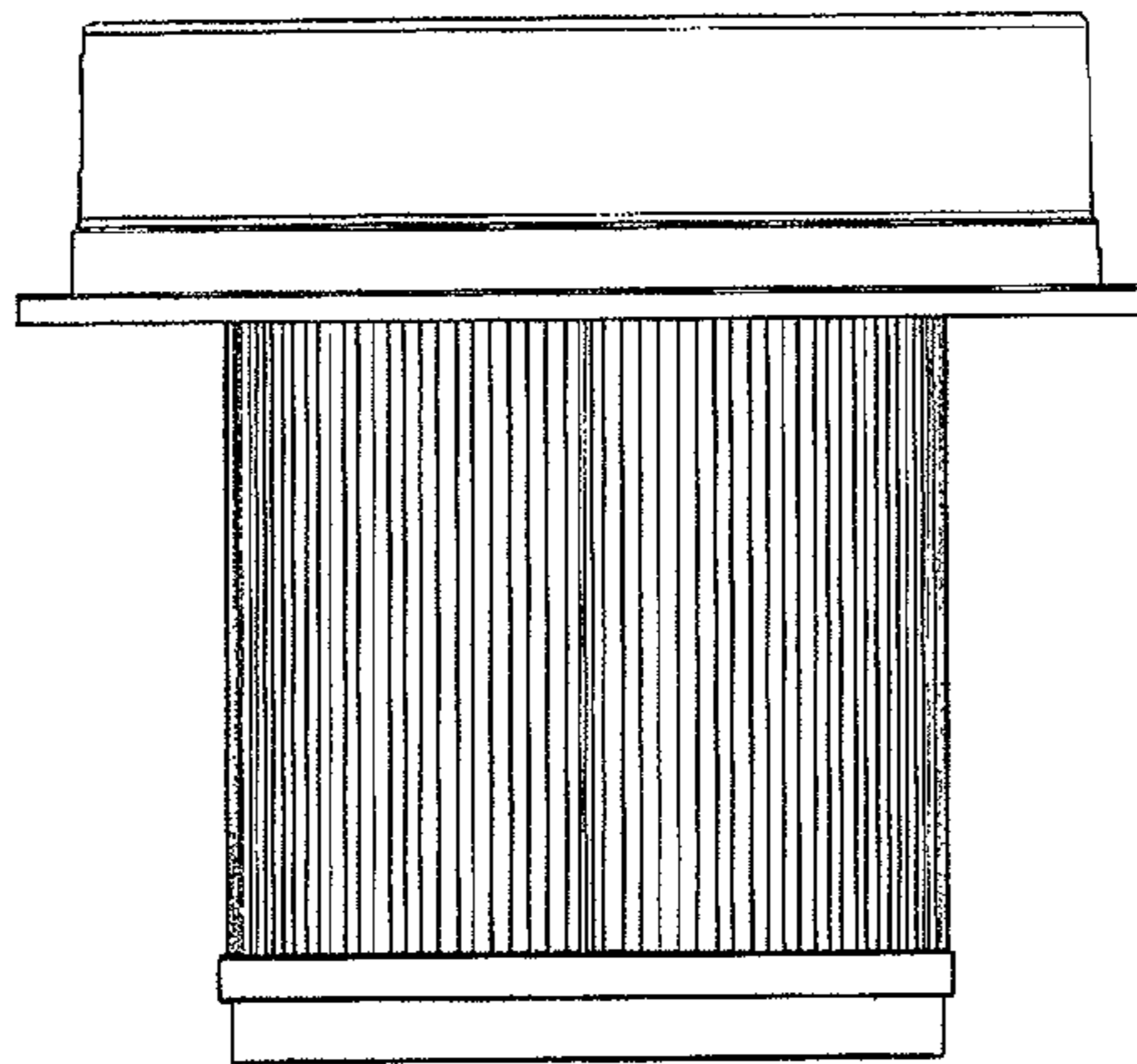


Fig. 3

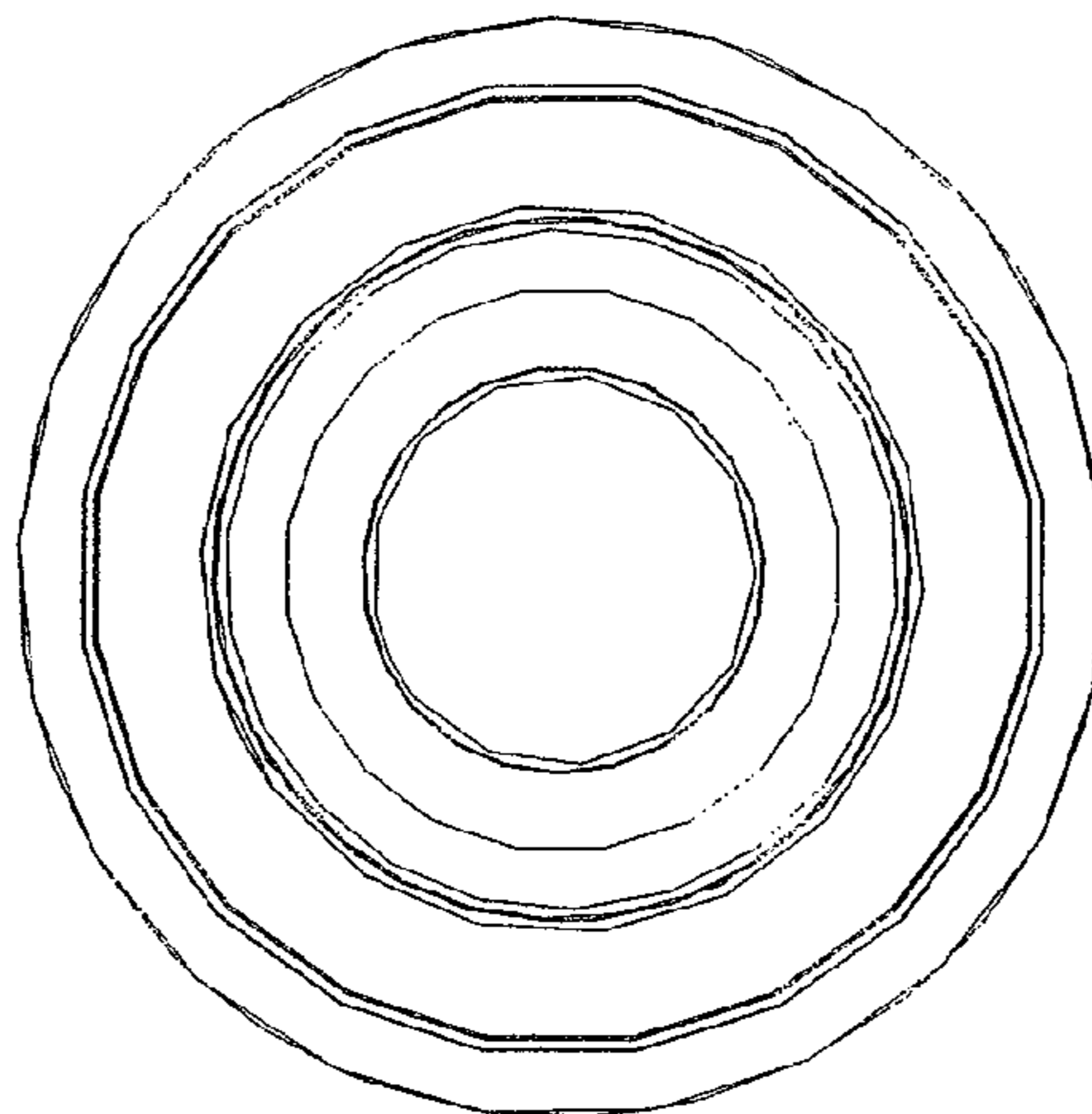


Fig. 4

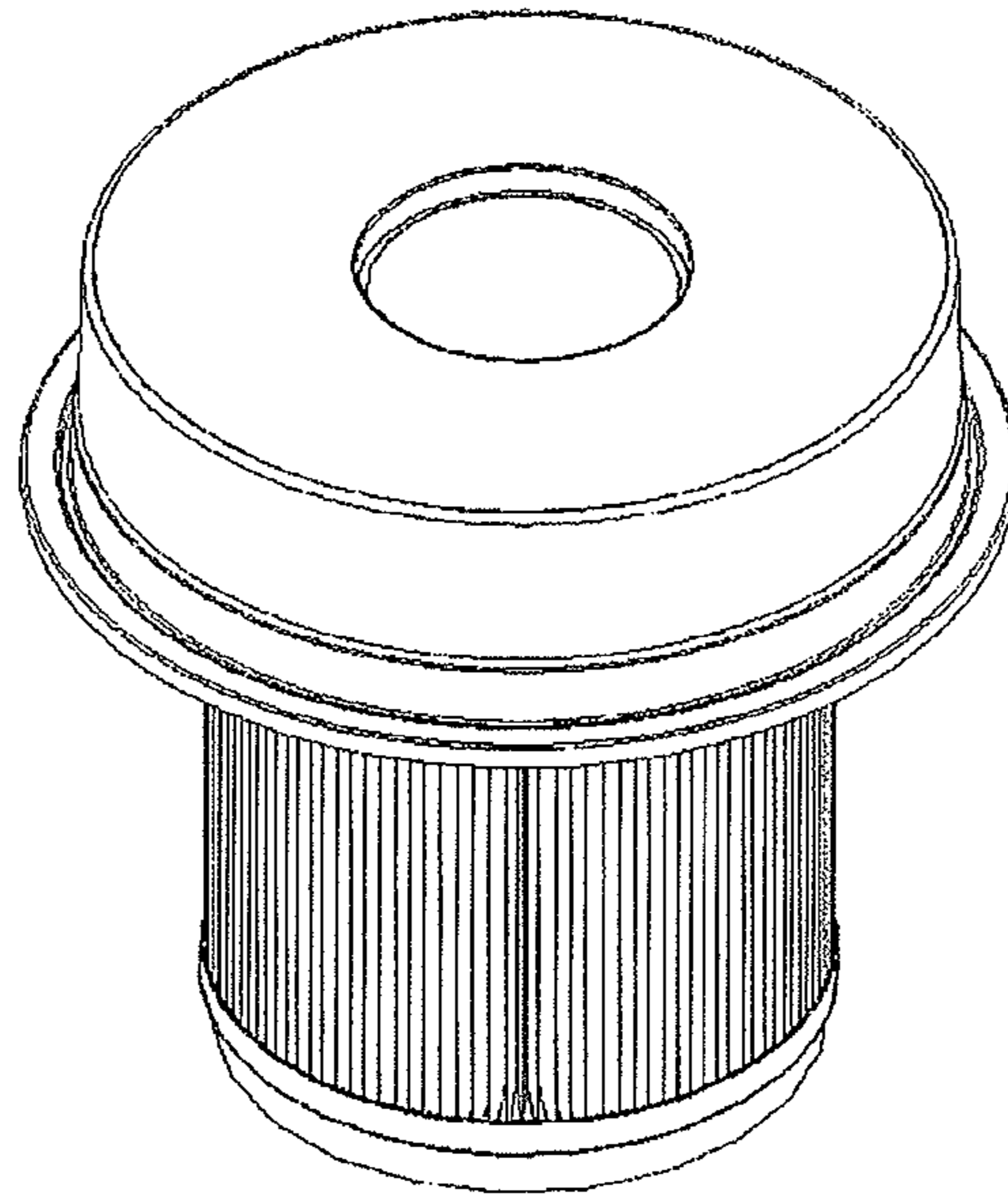


Fig. 5

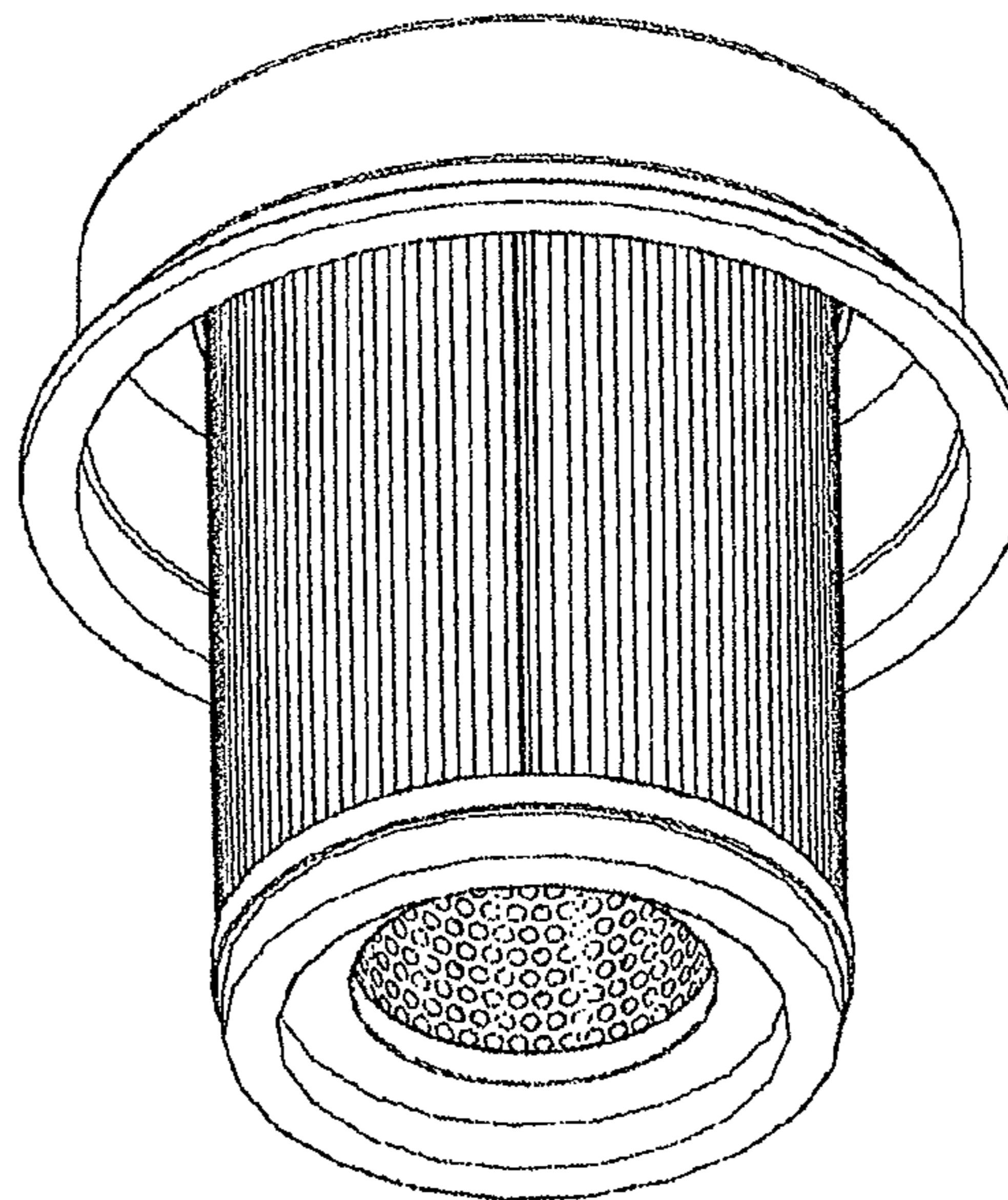


Fig. 6

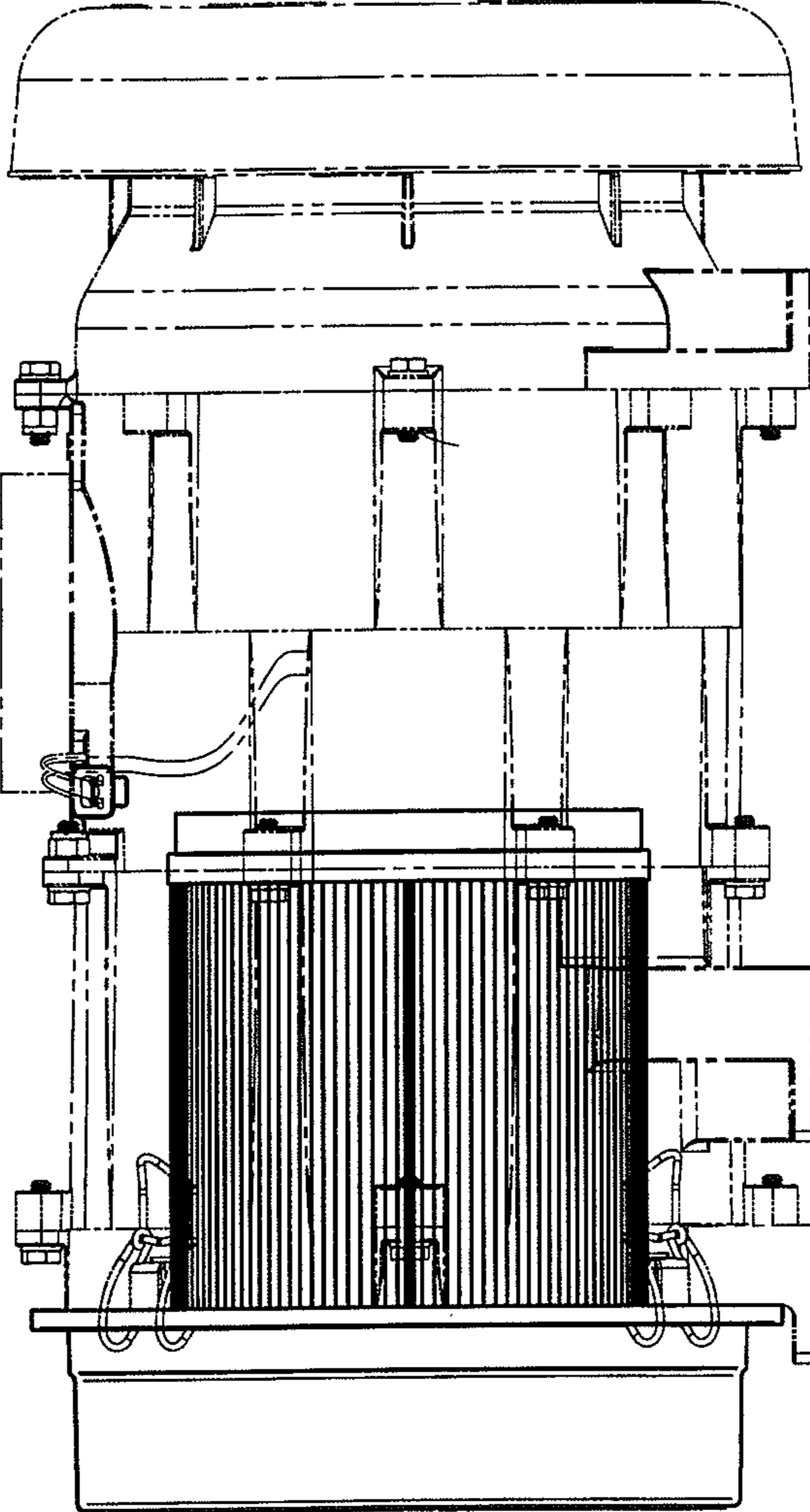




Fig. 7

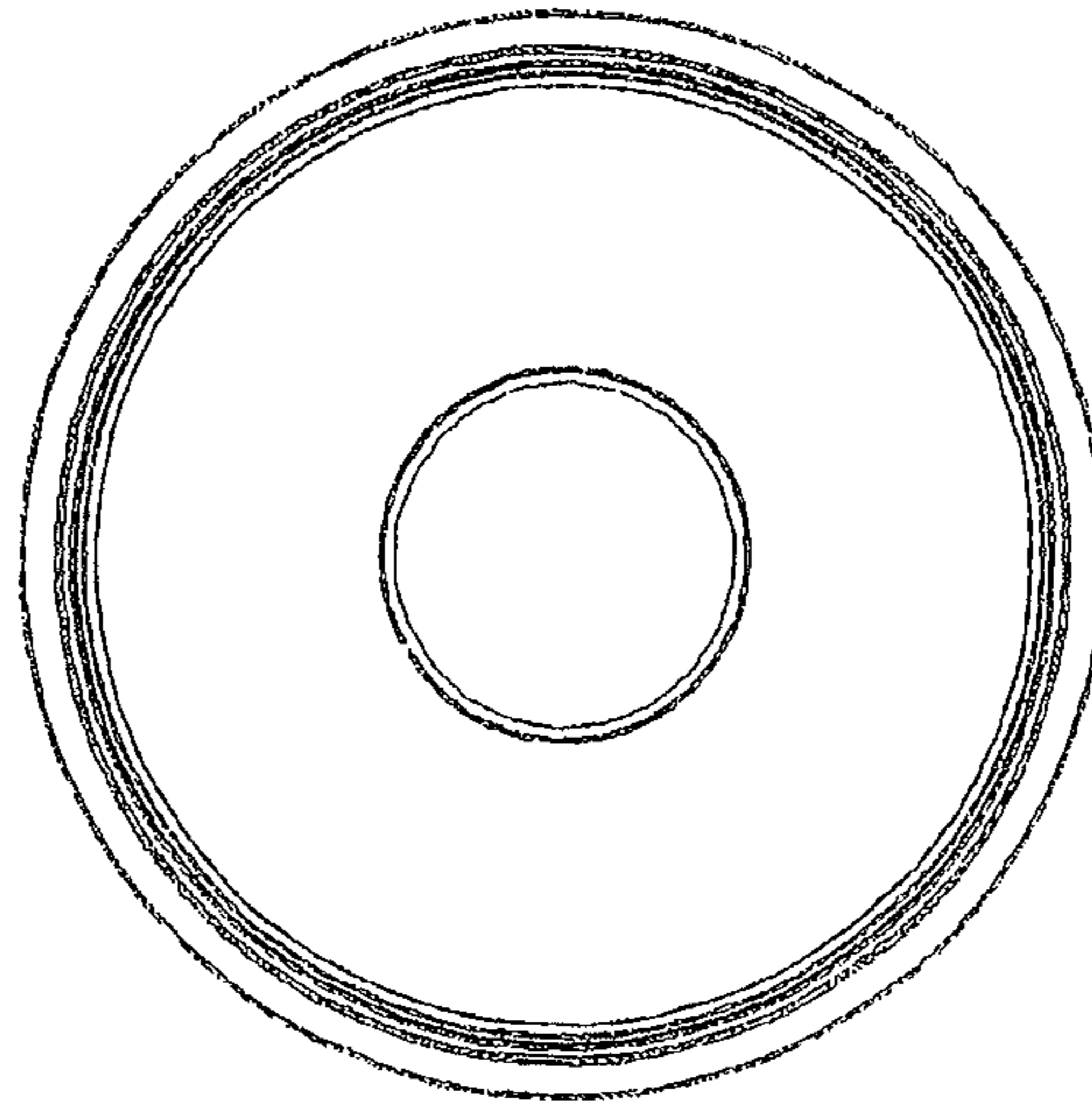


Fig. 8

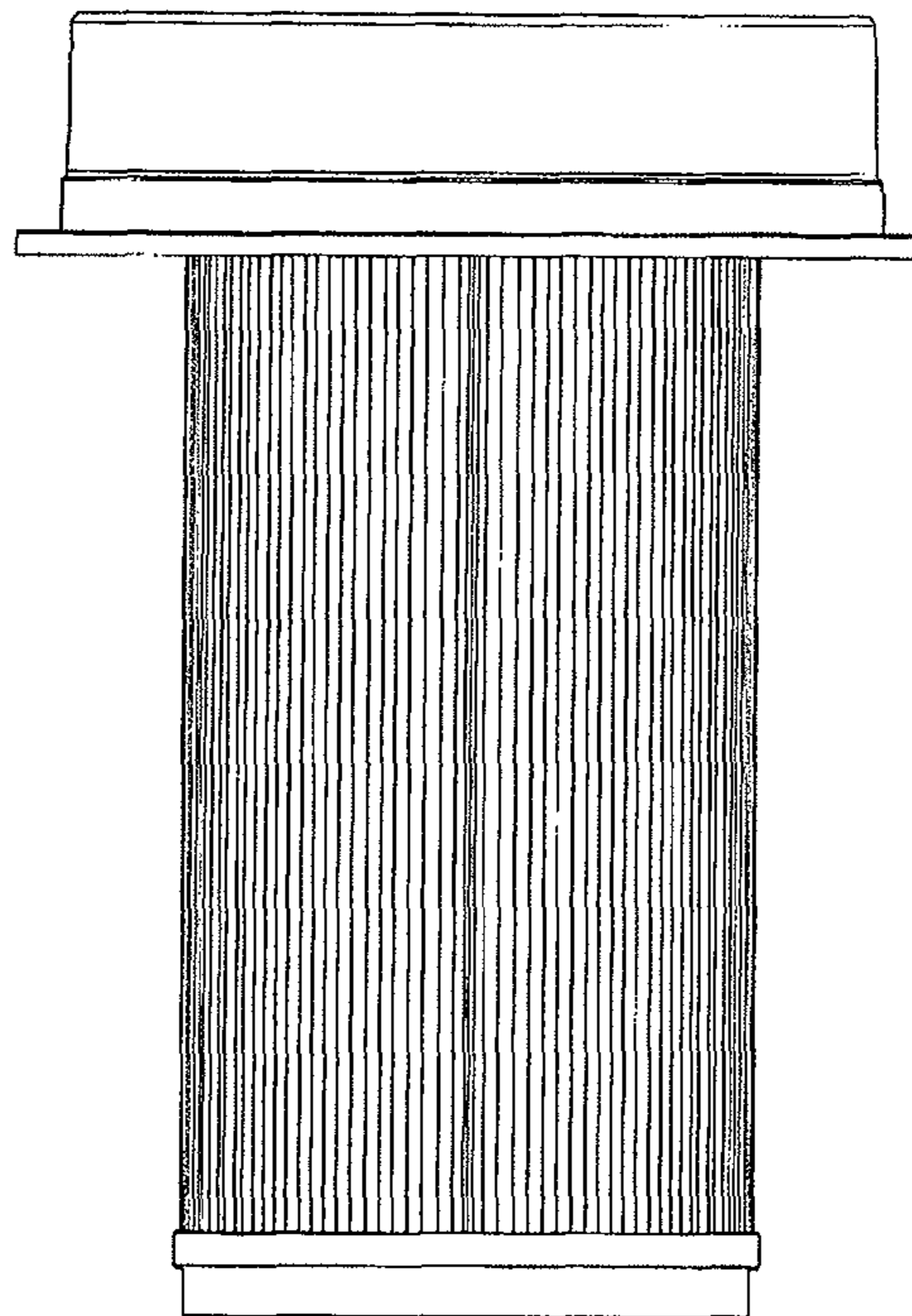


Fig. 9

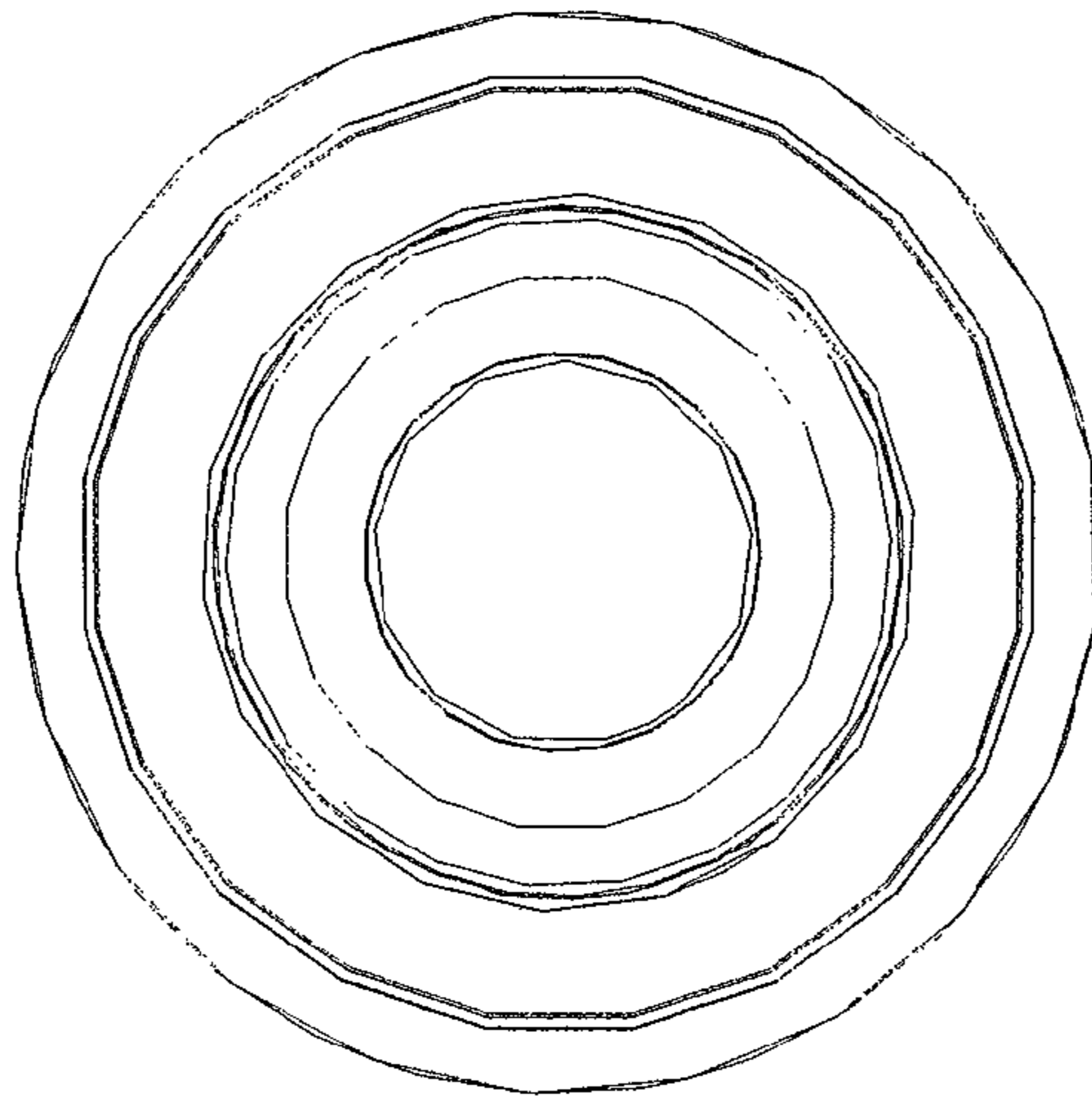


Fig. 10

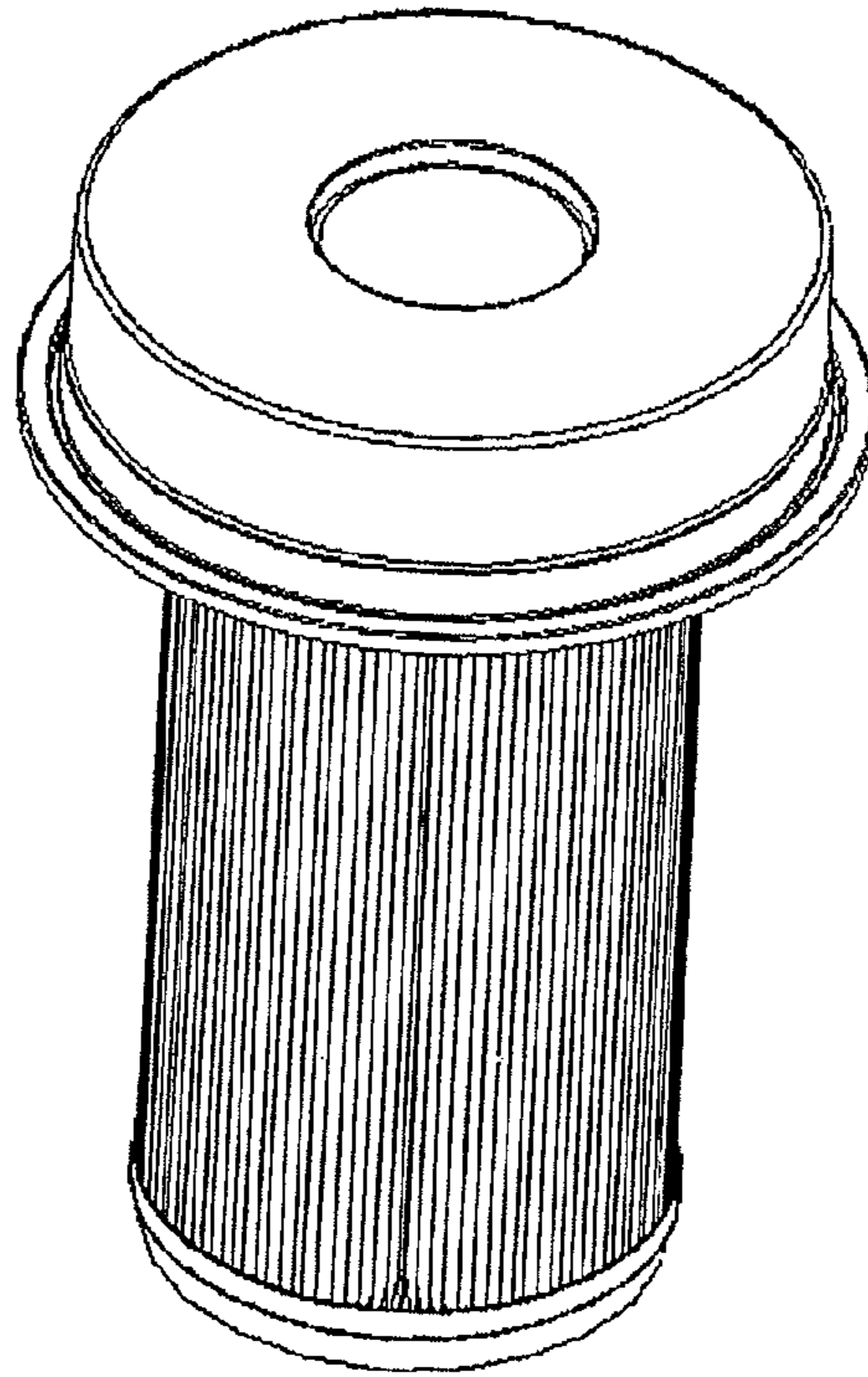


Fig. 11

