



US00D691250S

(12) **United States Design Patent**
Chan

(10) **Patent No.:** **US D691,250 S**

(45) **Date of Patent:** **** Oct. 8, 2013**

(54) **ELECTRONIC HEATER**

(71) Applicant: **Perfect Union Co., Ltd.**, New Taipei (TW)

(72) Inventor: **Ching Chan**, New Taipei (TW)

(73) Assignee: **Perfect Union Co., Ltd.**, New Taipei (TW)

(**) Term: **14 Years**

(21) Appl. No.: **29/435,773**

(22) Filed: **Oct. 29, 2012**

(51) **LOC (9) Cl.** **23-03**

(52) **U.S. Cl.**
USPC **D23/332**

(58) **Field of Classification Search**
USPC D23/314, 332, 335-350, 378, 370,
D23/381, 354, 351, 386, 333, 328, 353, 361,
D23/385, 417, 357; 392/365, 367, 424, 383,
392/411, 360, 369, 373-376; 126/183, 110 B,
126/91 A, 500, 544, 547; 431/125; D99/29

See application file for complete search history.

(56) **References Cited**

U.S. PATENT DOCUMENTS

D193,320 S * 7/1962 Knoll et al. D23/335
D616,080 S * 5/2010 Ching D23/332

* cited by examiner

Primary Examiner — T. Chase Nelson

Assistant Examiner — Ania Aman

(74) *Attorney, Agent, or Firm* — Jackson IPG PLLC

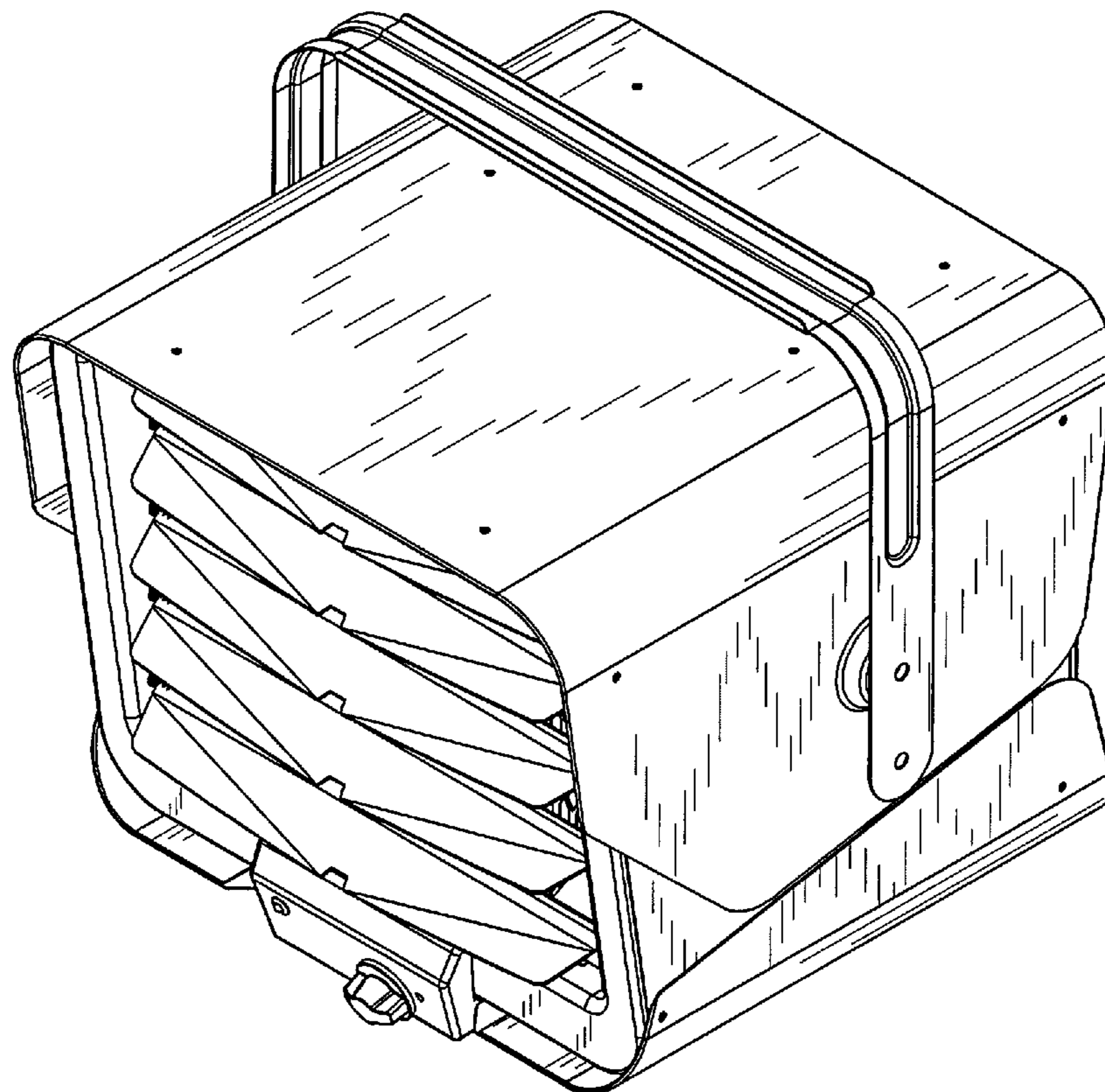
(57) **CLAIM**

The ornamental design for an electronic heater, as shown and described.

DESCRIPTION

FIG. 1 is a top front and left side perspective view of electronic heater showing my new design;
FIG. 2 is a top rear and left side perspective view of electronic heater showing my new design;
FIG. 3 is a front elevational view thereof;
FIG. 4 is a rear elevational view thereof;
FIG. 5 is a left side elevational view thereof;
FIG. 6 is a right side elevational view thereof;
FIG. 7 is a top plan view thereof; and,
FIG. 8 is a bottom plan view thereof.
Those portions of the illustrated design indicated by broken lines form no part of the claimed design.

1 Claim, 8 Drawing Sheets



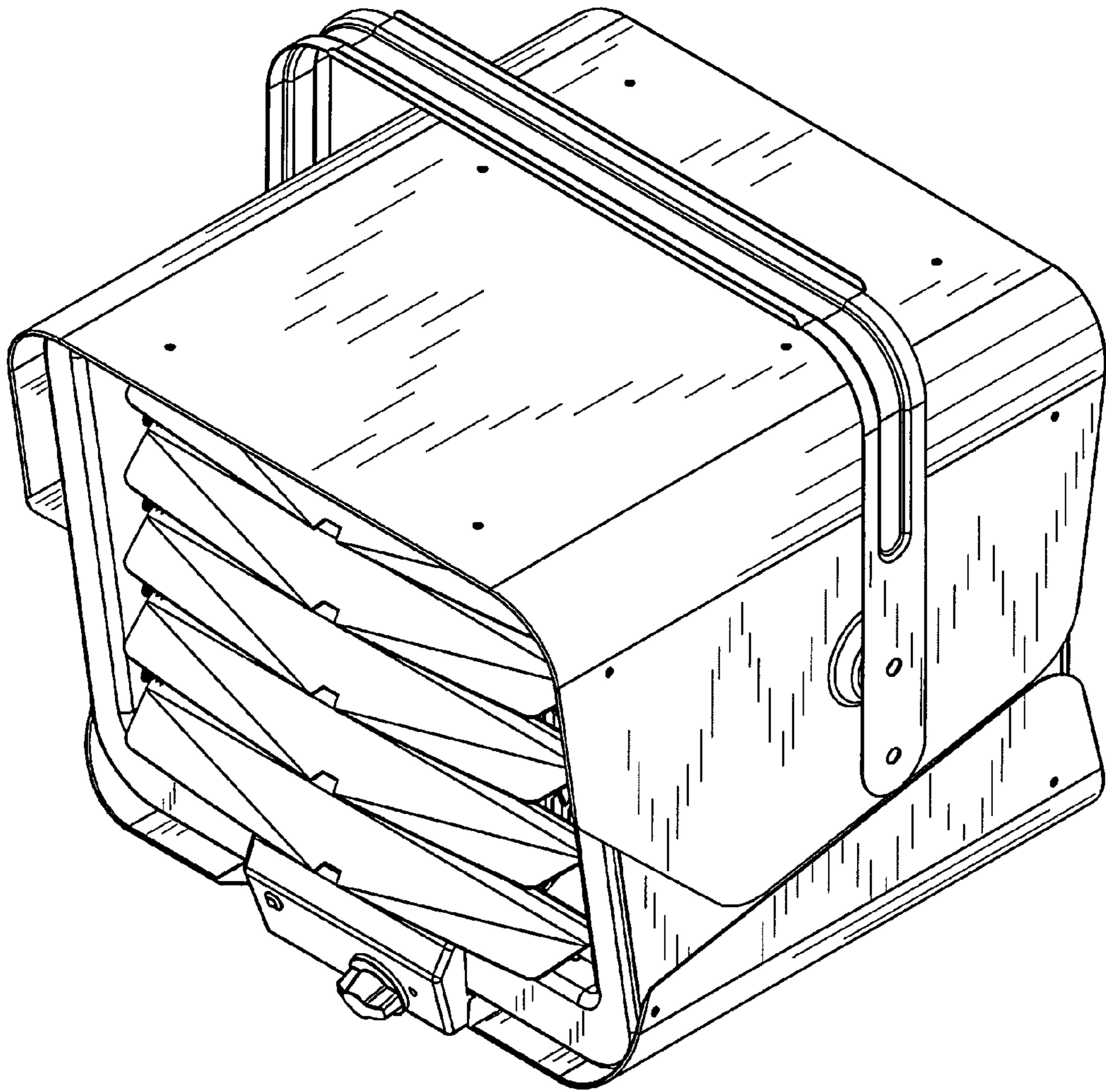


Fig. 1

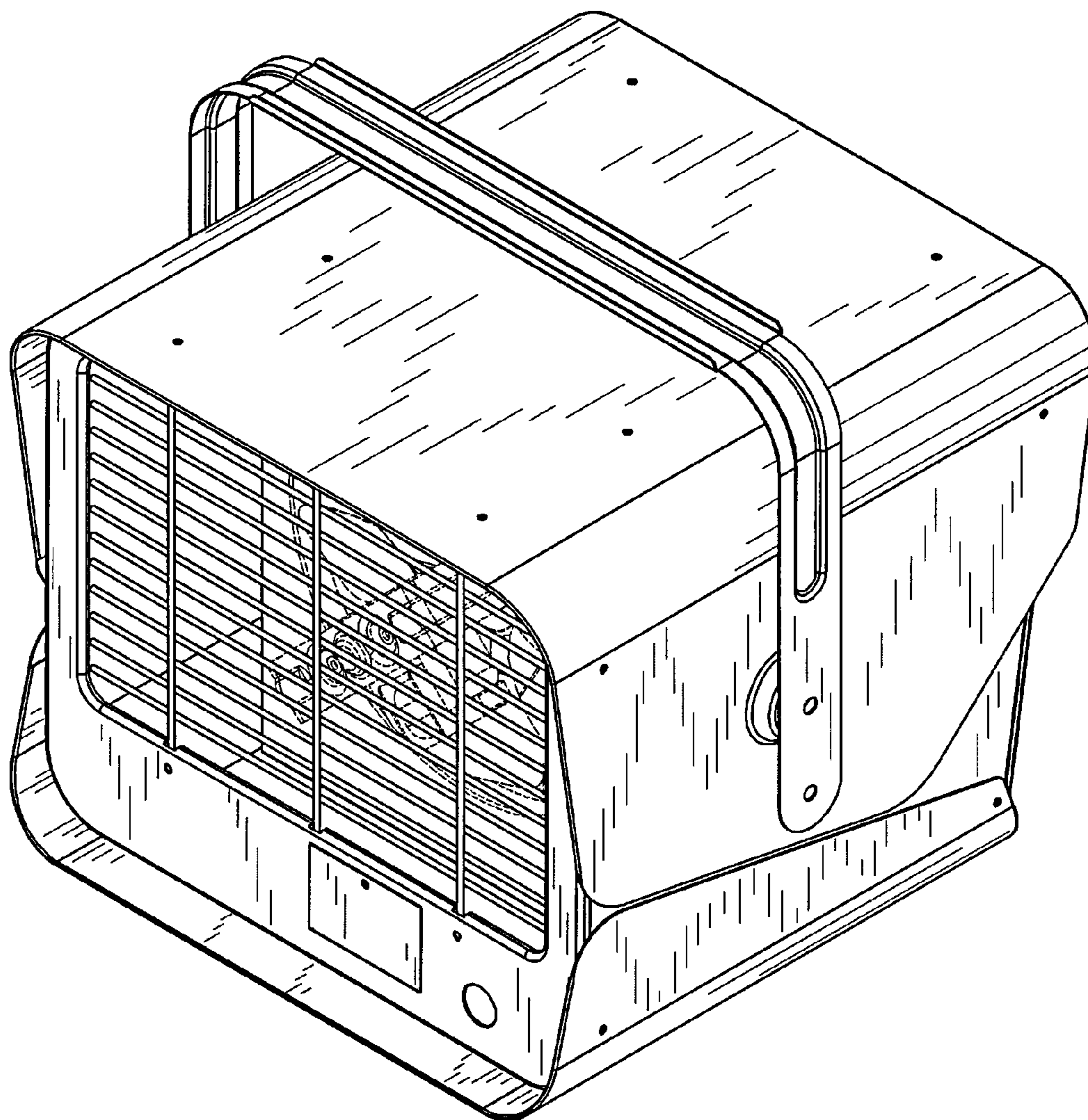


Fig. 2

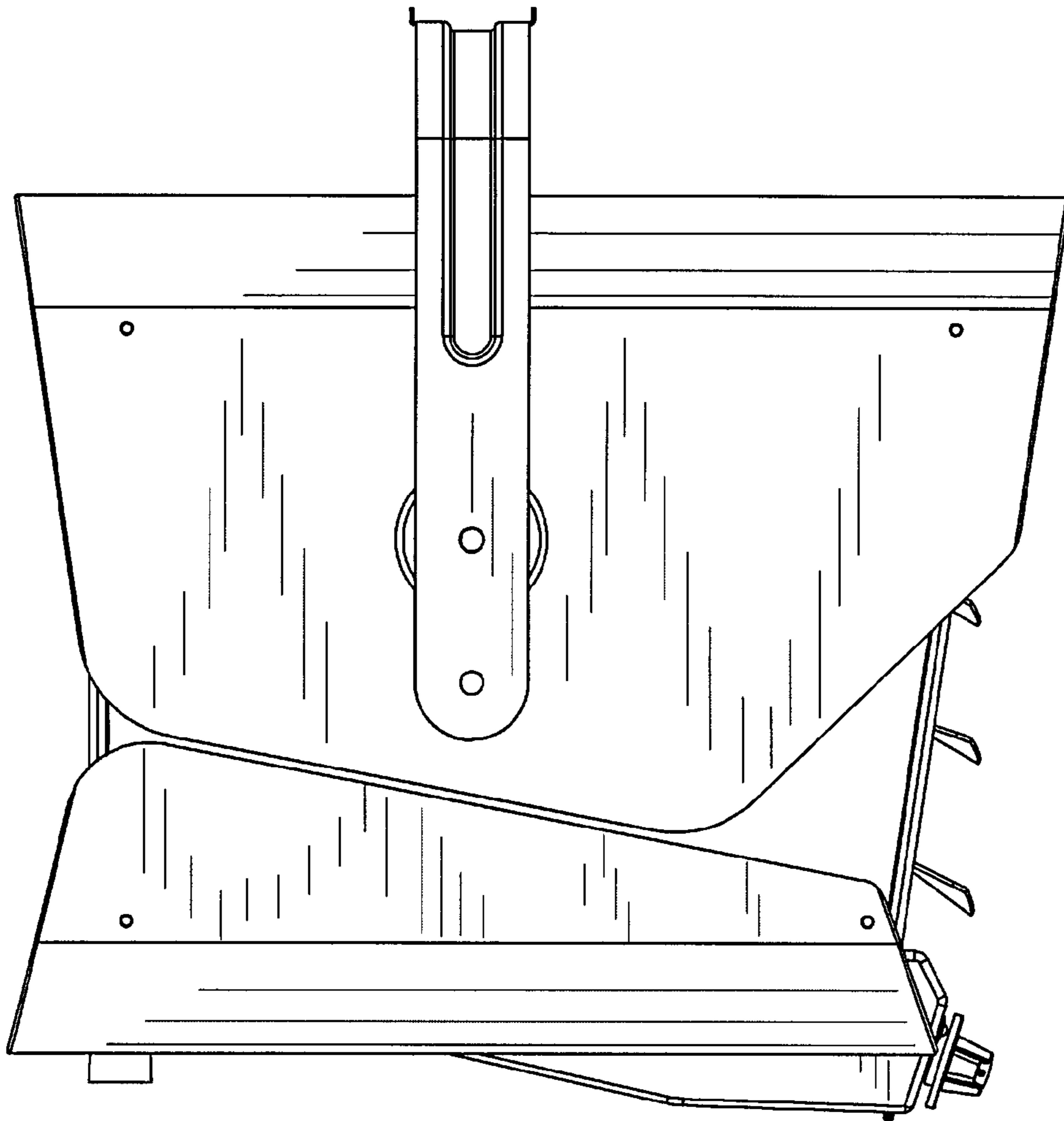


Fig. 3

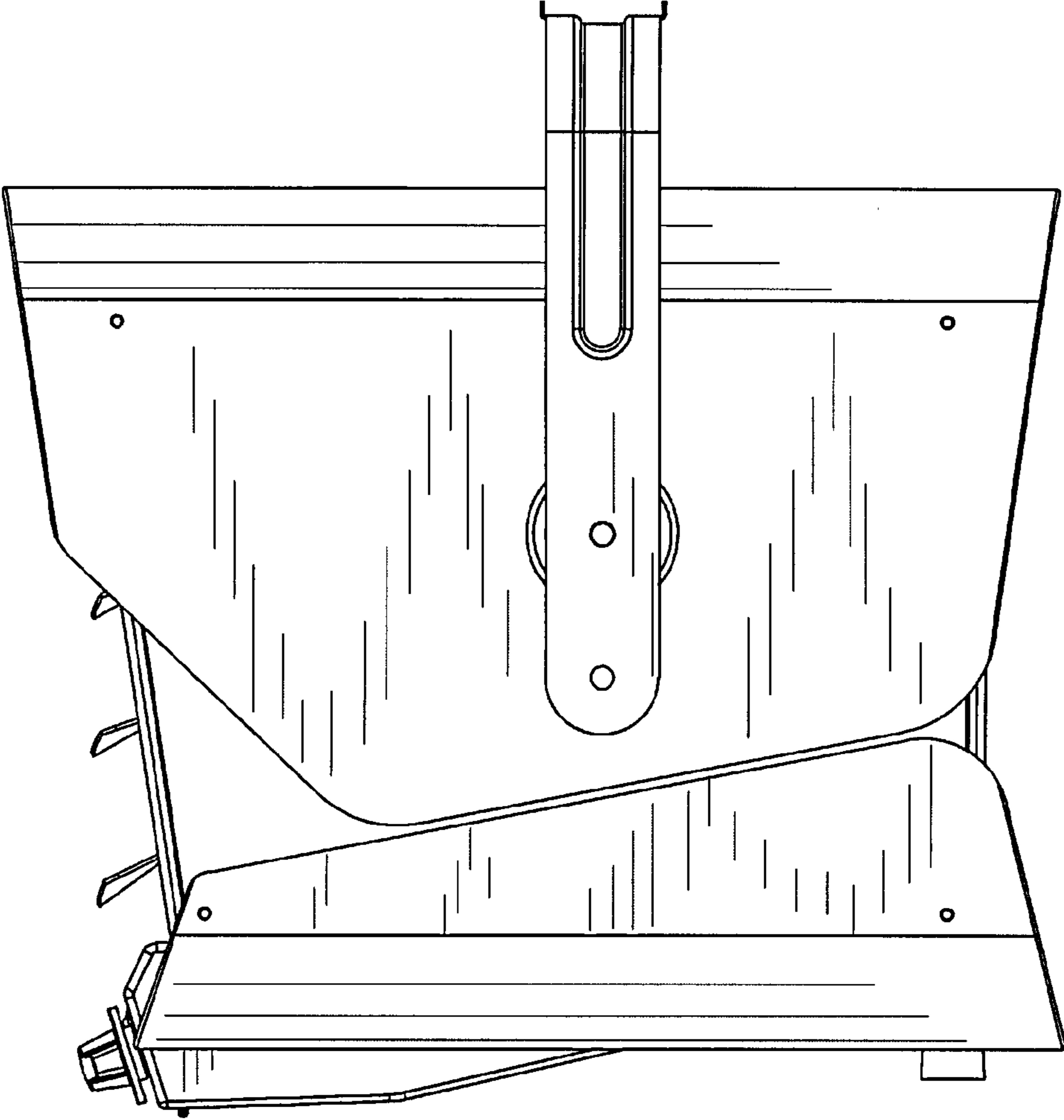


Fig. 4

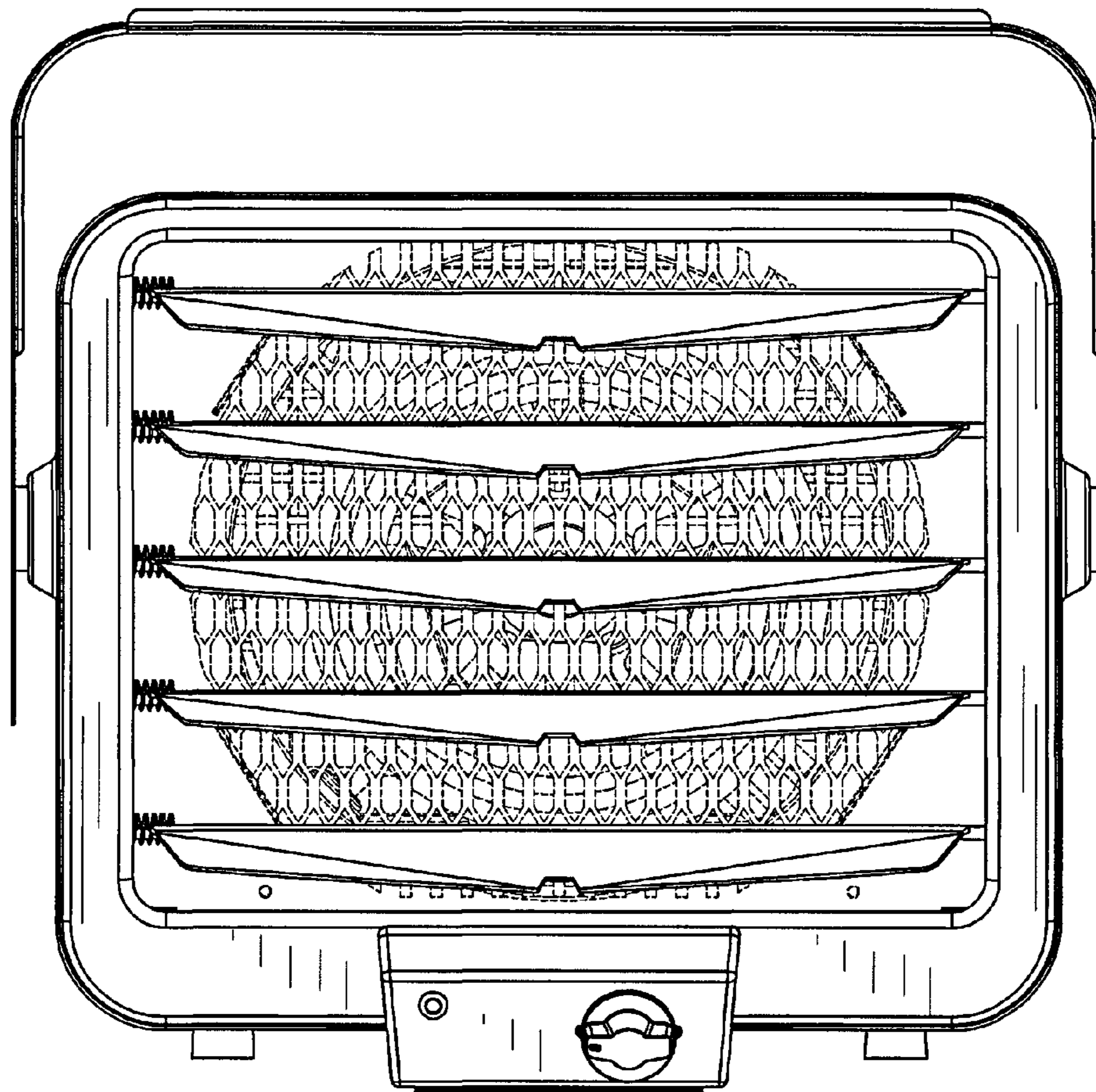


Fig. 5

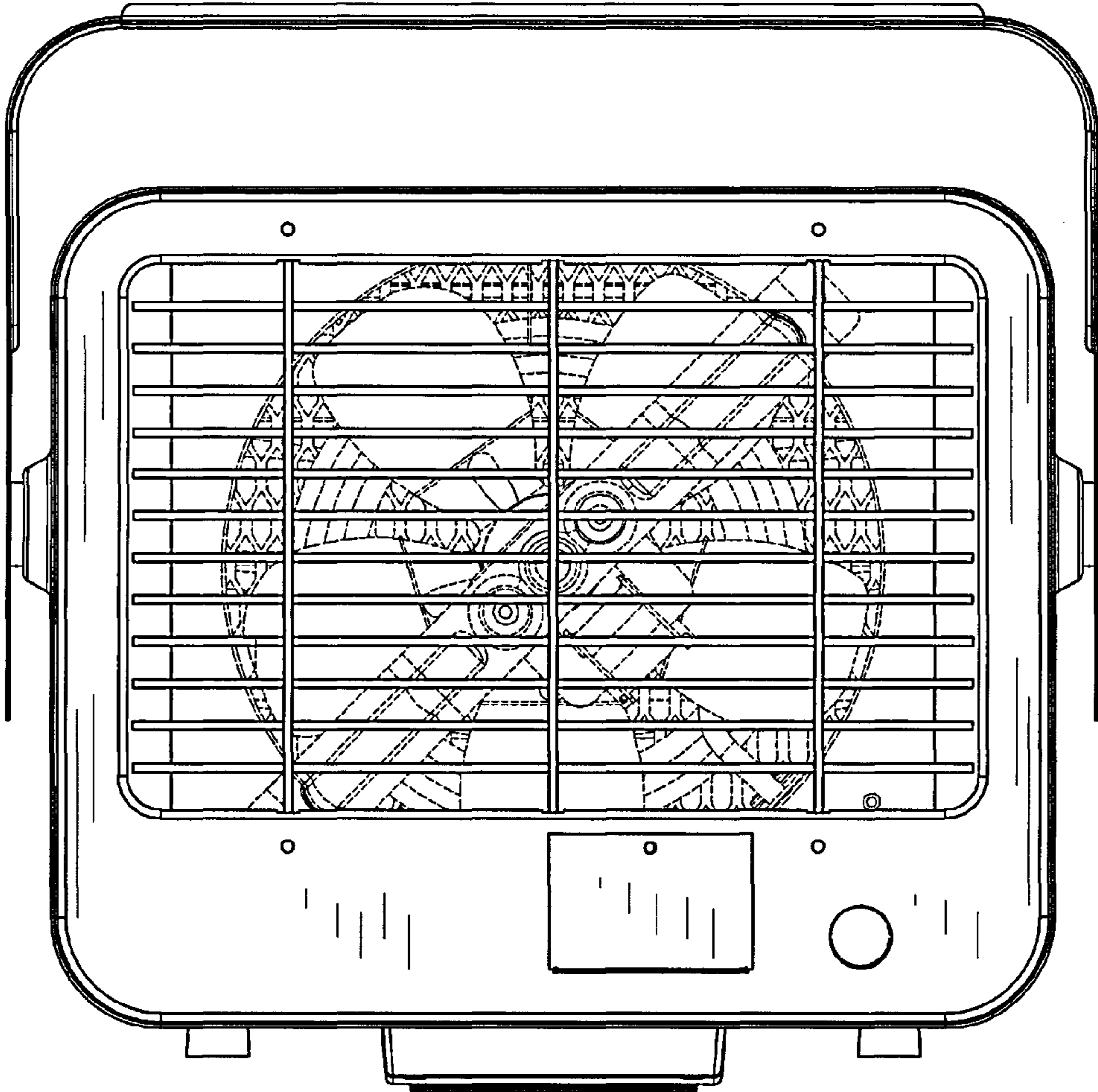


Fig. 6

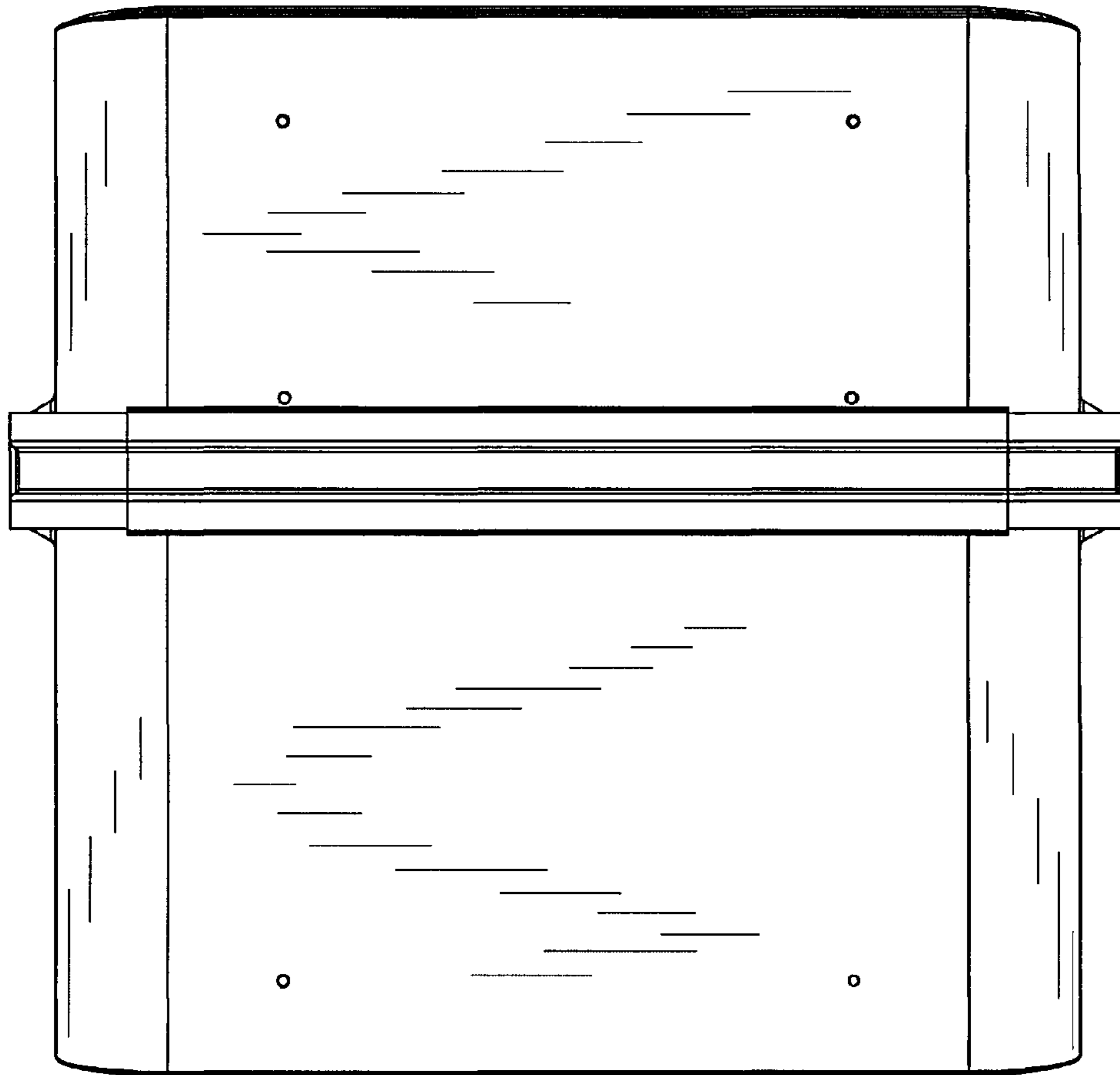


Fig. 7

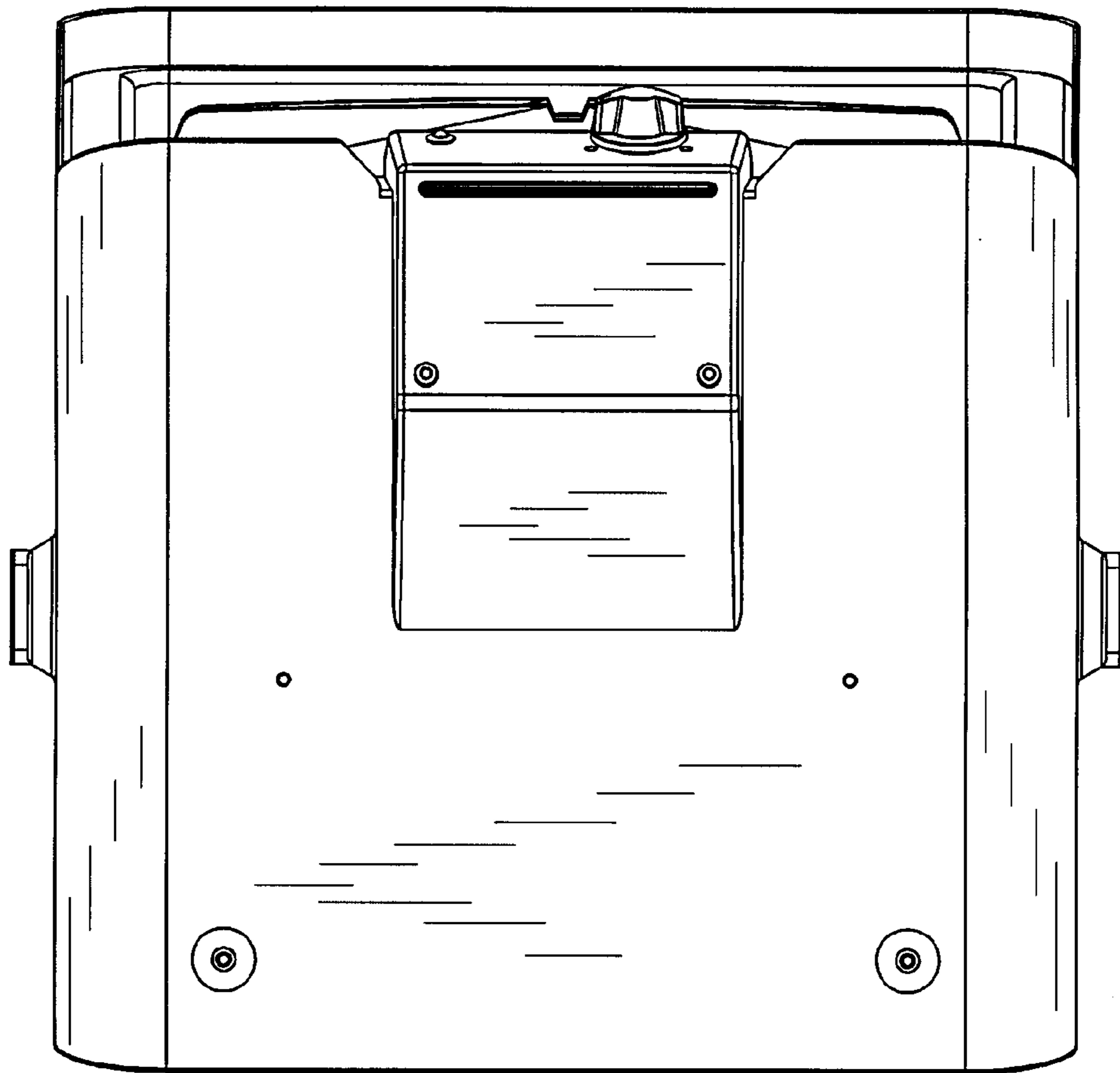


Fig. 8