



US00D691246S

(12) **United States Design Patent**
Ward

(10) **Patent No.:** **US D691,246 S**
(45) **Date of Patent:** **** Oct. 8, 2013**

(54) **PIPE COUPLING SUPPORT**
(75) Inventor: **Martin G. Ward**, Lakewood, CO (US)
(73) Assignee: **Onset Pipe Products, Inc.**, Lakewood, CO (US)
(**) Term: **14 Years**
(21) Appl. No.: **29/365,469**
(22) Filed: **Jul. 9, 2010**
(51) **LOC (9) Cl.** **23-01**
(52) **U.S. Cl.**
USPC **D23/262**
(58) **Field of Classification Search**
USPC D23/259-262; 285/369, 372, 373,
285/417
See application file for complete search history.

3,692,337 A 9/1972 Mischel
3,743,329 A 7/1973 Wesel
3,837,685 A 9/1974 Miller
3,851,901 A 12/1974 Sills

(Continued)

FOREIGN PATENT DOCUMENTS

EP 44719 A1 1/1982

OTHER PUBLICATIONS

IAPMO R&T, Product Listing Directory, <http://p1d.iapmo.org/>, 1 page.

(Continued)

Primary Examiner — Eric L Goodman

(74) *Attorney, Agent, or Firm* — Merchant & Gould, P.C.

(57) **CLAIM**

The ornamental design for a pipe coupling support, as shown and described.

(56) **References Cited**

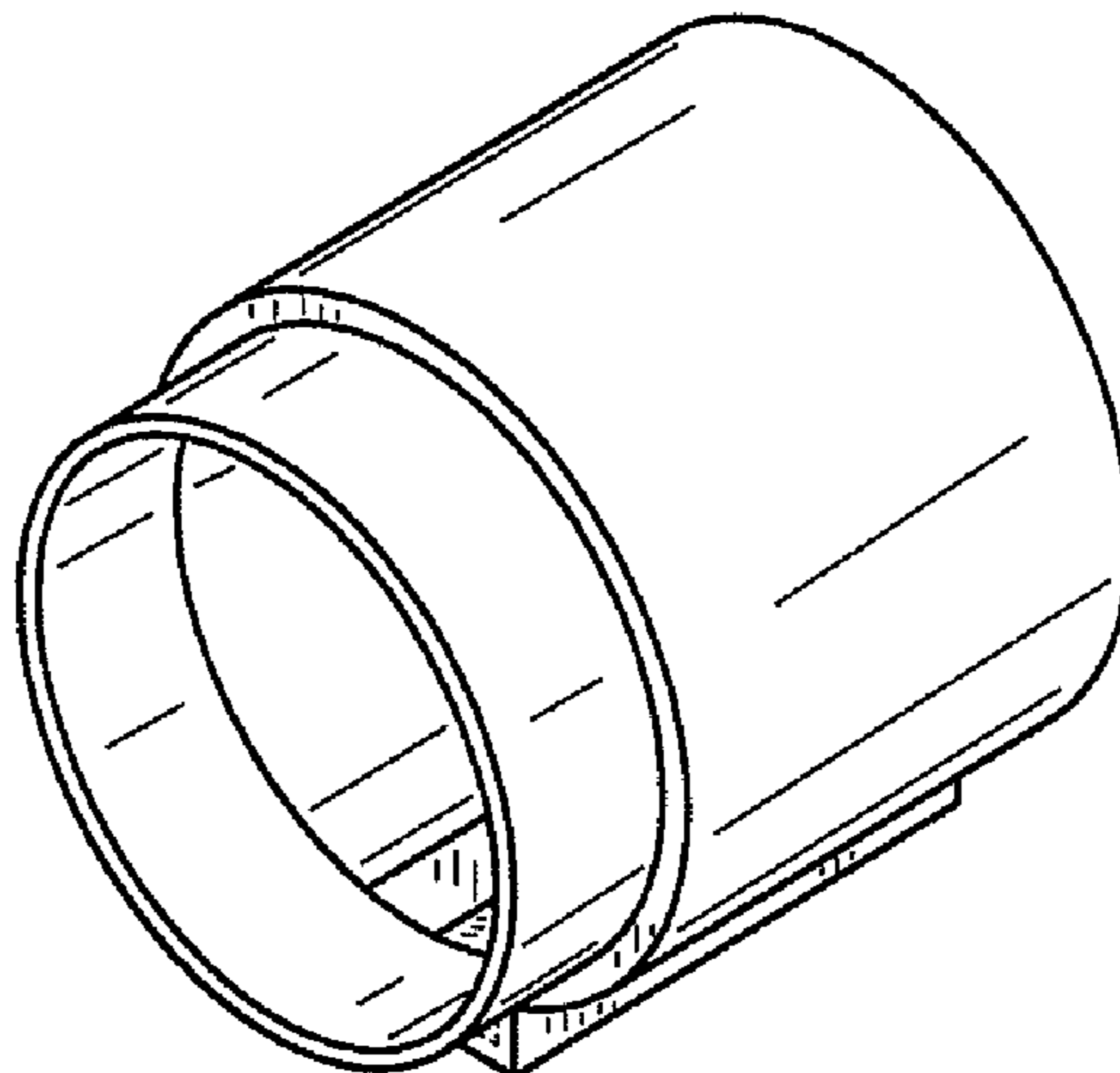
U.S. PATENT DOCUMENTS

232,432 A 9/1880 Allison
D32,498 S 4/1900 Watson
2,068,648 A 1/1937 Kaplan
2,288,904 A 6/1942 Hudson
2,784,989 A 2/1957 Krupp
2,904,356 A 9/1959 Love
2,980,143 A 4/1961 Harris
3,153,550 A 10/1964 Hollett
3,165,324 A 1/1965 Zopfi
3,206,229 A 9/1965 Kramer
3,211,475 A 10/1965 Freed et al.
3,394,952 A 7/1968 Garrett
3,479,066 A 11/1969 Gittleman
3,527,484 A 9/1970 Walkden
3,539,206 A 11/1970 Daniels et al.
3,572,773 A 3/1971 Read
3,574,354 A 4/1971 Mischel
3,586,354 A 6/1971 Boscacci

DESCRIPTION

FIG. 1 is a top perspective view of a pipe coupling support; FIG. 2 is a bottom perspective view of a pipe coupling support; FIG. 3 is a bottom view of a pipe coupling support; FIG. 4 is a top view of a pipe coupling support; FIG. 5 is a left side view of a pipe coupling support; FIG. 6 is a right side view of a pipe coupling support; FIG. 7 is a rear view of a pipe coupling support; and, FIG. 8 is a front view of a pipe coupling support. The broken line showing is included for the purpose of illustrating portions of the article and forms no part of the claimed design.

1 Claim, 4 Drawing Sheets



(56)

References Cited

U.S. PATENT DOCUMENTS

4,036,513 A 7/1977 Loftus et al.
 4,172,607 A 10/1979 Norton
 4,186,948 A 2/1980 Cronk
 4,221,407 A 9/1980 Steimle
 4,336,959 A 6/1982 Roche
 4,360,227 A 11/1982 Bridges
 4,380,348 A 4/1983 Swartz
 4,417,755 A 11/1983 Gittleman
 4,480,860 A 11/1984 Foresta et al.
 4,518,177 A 5/1985 Deakins
 4,538,837 A 9/1985 Cronk
 4,576,666 A * 3/1986 Harris et al. 156/85
 4,587,994 A 5/1986 Links et al.
 4,611,835 A 9/1986 Gittleman
 4,643,465 A 2/1987 Green et al.
 4,667,505 A 5/1987 Sharp
 4,726,611 A 2/1988 Sauer
 4,763,695 A 8/1988 Dooley
 4,804,209 A 2/1989 Fischer
 4,813,718 A * 3/1989 Matter et al. 285/373
 4,929,236 A 5/1990 Sampson
 4,939,923 A 7/1990 Sharp
 D309,774 S 8/1990 Lewis
 4,948,178 A 8/1990 Sauer
 4,964,658 A 10/1990 Usui et al.
 4,966,397 A 10/1990 McKinnon
 D318,321 S 7/1991 Wigle
 5,039,137 A 8/1991 Cankovic et al.
 5,056,833 A 10/1991 Webb
 5,070,597 A 12/1991 Holt et al.
 5,190,322 A 3/1993 Hughes
 5,193,859 A 3/1993 McKinnon
 5,203,594 A 4/1993 Straub
 5,370,427 A 12/1994 Hoelle et al.
 5,398,976 A 3/1995 Webb
 5,415,440 A * 5/1995 Kanao 277/625
 5,430,252 A 7/1995 Petersen
 D383,053 S 9/1997 Shrader et al.
 D383,378 S 9/1997 Schrader et al.

D439,637 S 3/2001 Davies
 D454,941 S 3/2002 Dietzel
 D468,002 S 12/2002 Steffan
 D473,935 S 4/2003 Braun
 6,561,552 B1 5/2003 Berg
 D483,095 S * 12/2003 Snyder et al. D23/262
 D484,577 S * 12/2003 Brue et al. D23/259
 D486,891 S 2/2004 Cronce
 7,066,497 B2 6/2006 Fullbeck et al.
 7,249,787 B1 7/2007 Chisnell
 7,252,310 B2 * 8/2007 Amedure et al. 285/419
 D558,305 S * 12/2007 Dill et al. D23/261
 7,475,919 B2 * 1/2009 Hiernard et al. 285/419
 D617,426 S * 6/2010 Zeyfang D23/260
 D631,142 S * 1/2011 Angell D23/262
 D637,697 S * 5/2011 Steiner D23/262
 D649,228 S * 11/2011 Drenth D23/259
 8,047,577 B2 * 11/2011 Zeiber 285/242
 8,256,800 B2 * 9/2012 Ward 285/45
 2004/0130148 A1 7/2004 Patterson et al.
 2004/0222633 A1 * 11/2004 Amedure et al. 285/373
 2005/0099005 A1 5/2005 Fullbeck et al.
 2005/0161941 A1 7/2005 Poll et al.
 2007/0222212 A1 9/2007 Chisnell
 2007/0252389 A1 * 11/2007 Milici et al. 285/369
 2007/0257488 A1 11/2007 Jimenez
 2007/0284037 A1 12/2007 Buytaert
 2010/0320757 A1 * 12/2010 Ward 285/417
 2012/0038153 A9 * 2/2012 Ammon et al. 285/417
 2012/0098259 A1 * 4/2012 Sarkisian et al. 285/369
 2012/0267860 A1 * 10/2012 Sato et al. 277/358

OTHER PUBLICATIONS

IAPMO Research and Testing, Inc., Certificate of Listing, Aug. 2009, 2 pages.
 International Search Report and Written Opinion for Application No. PCT/US2009/040837 dated June. 16, 2009.
 Mission Rubber Company, "If we put our name on it—you can depend on It!" Product Catalog, Jun. 2006, 24 pages.

* cited by examiner

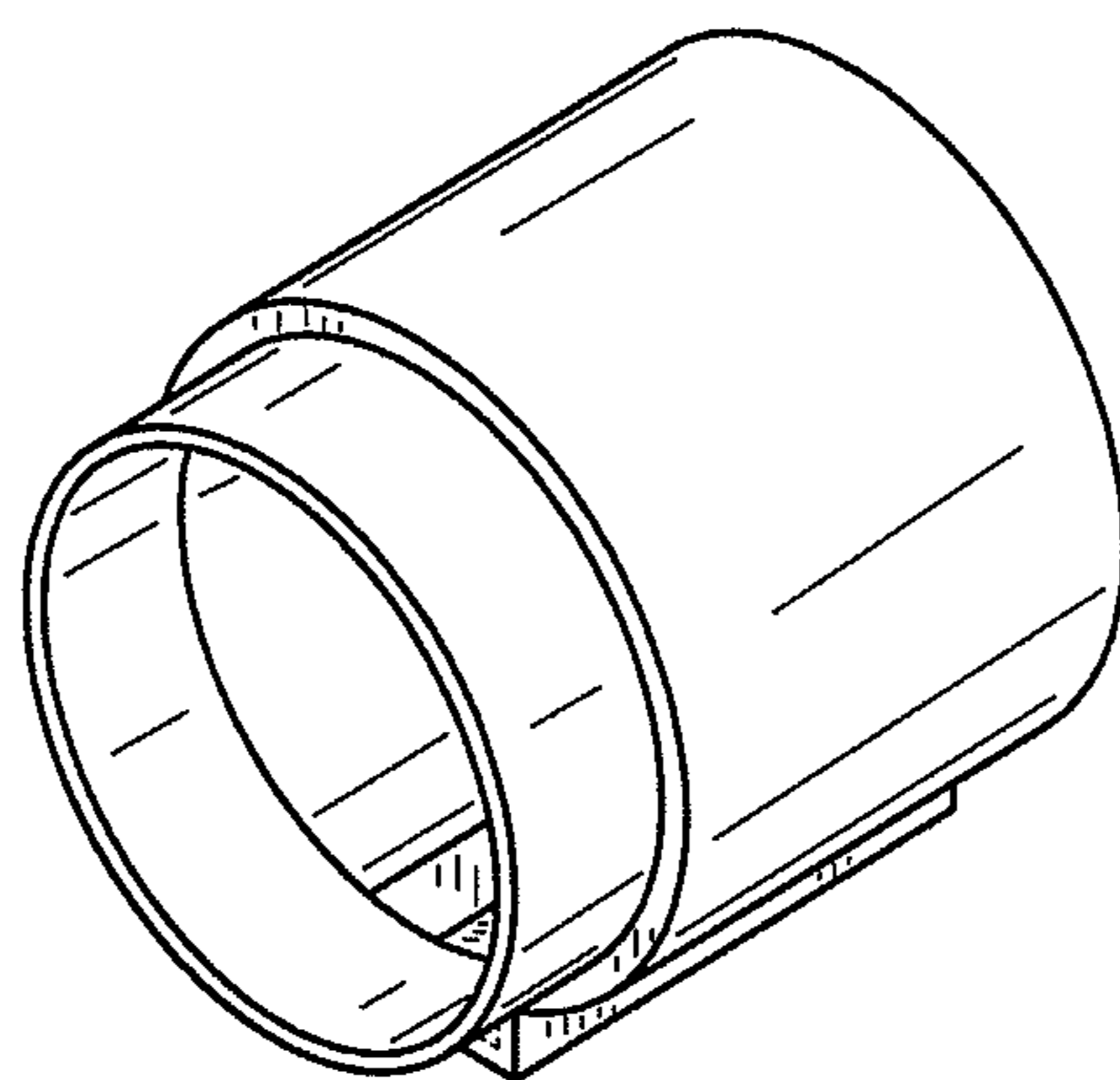


FIG. 1

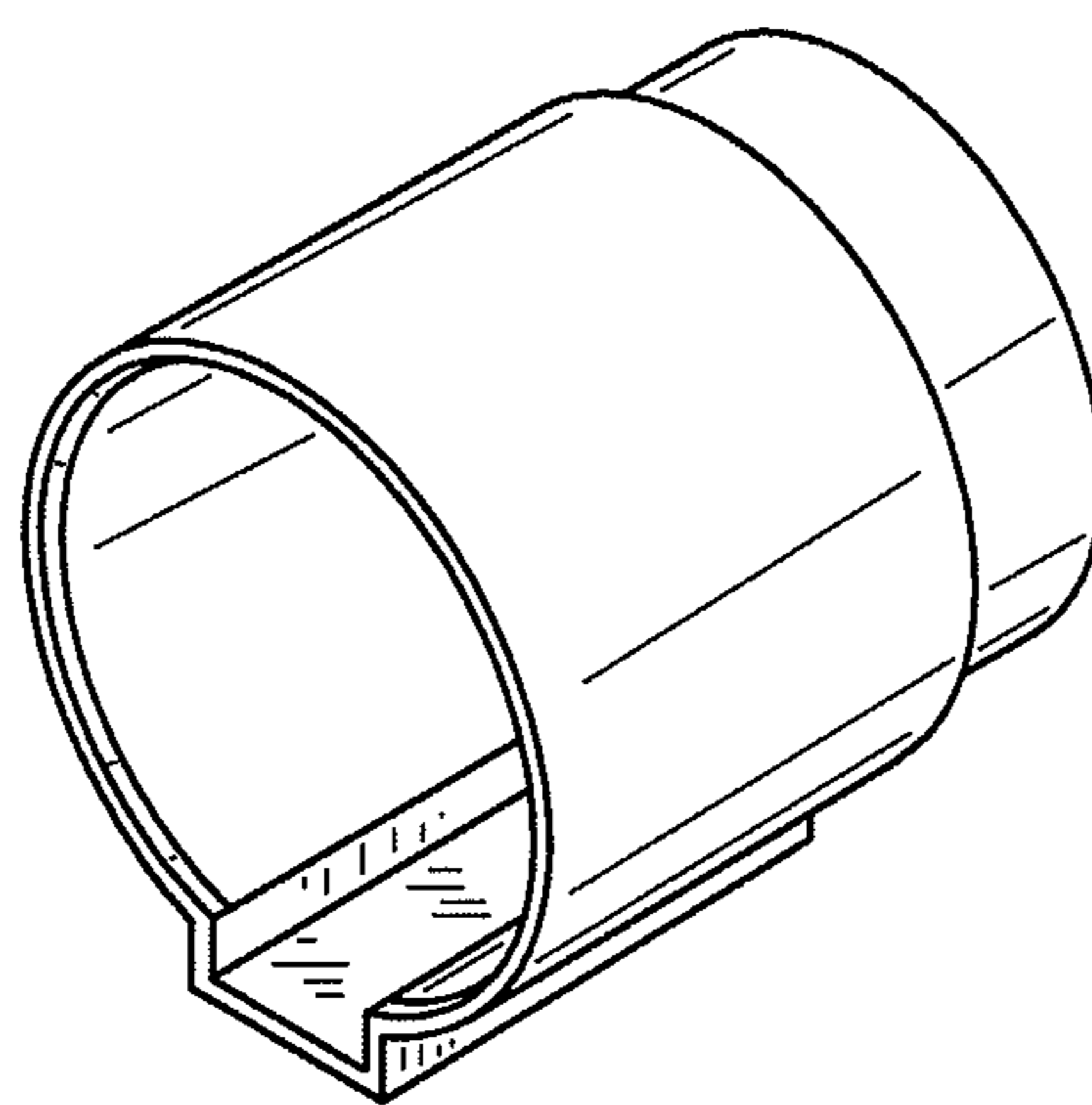


FIG. 2

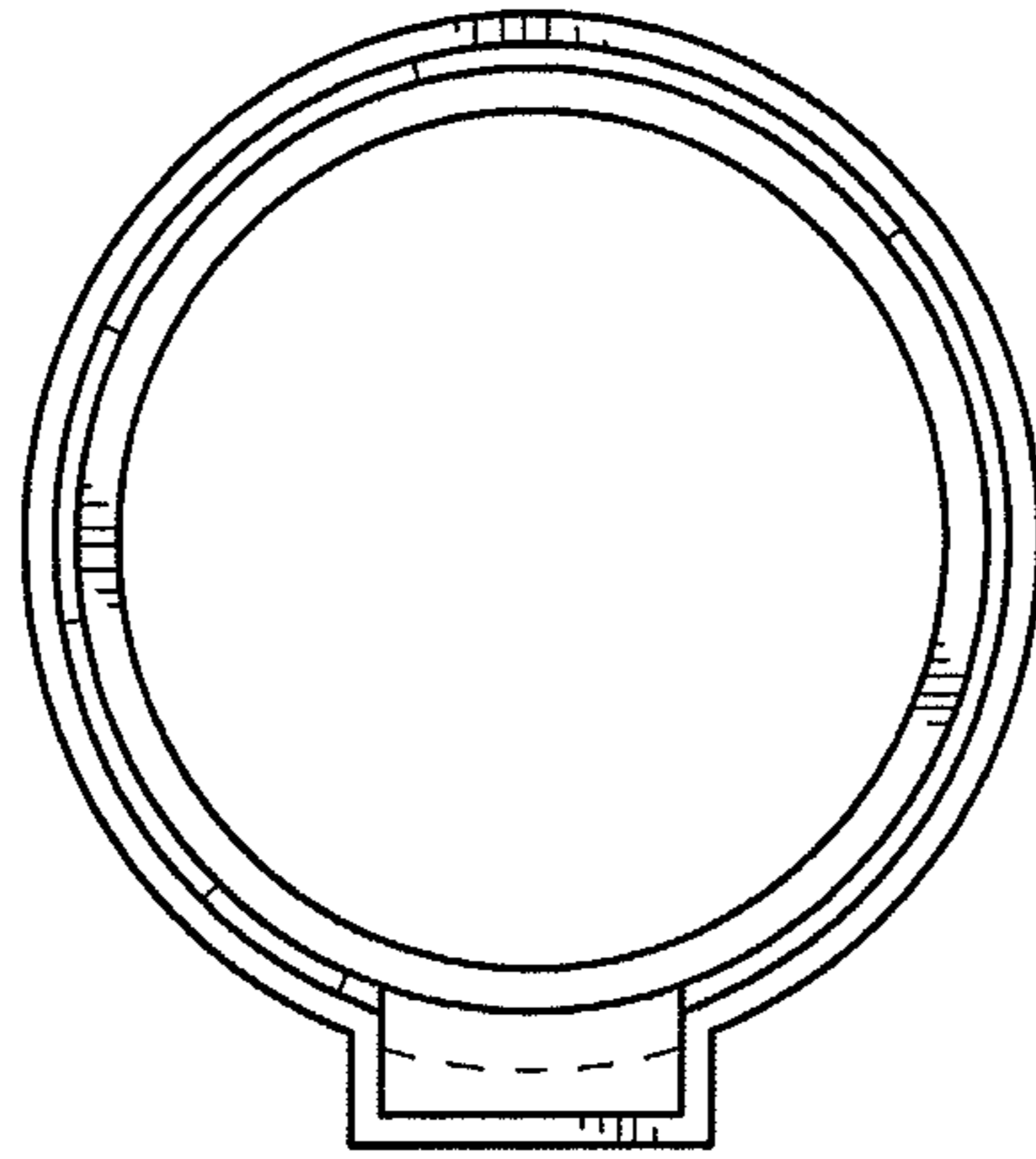


FIG.3

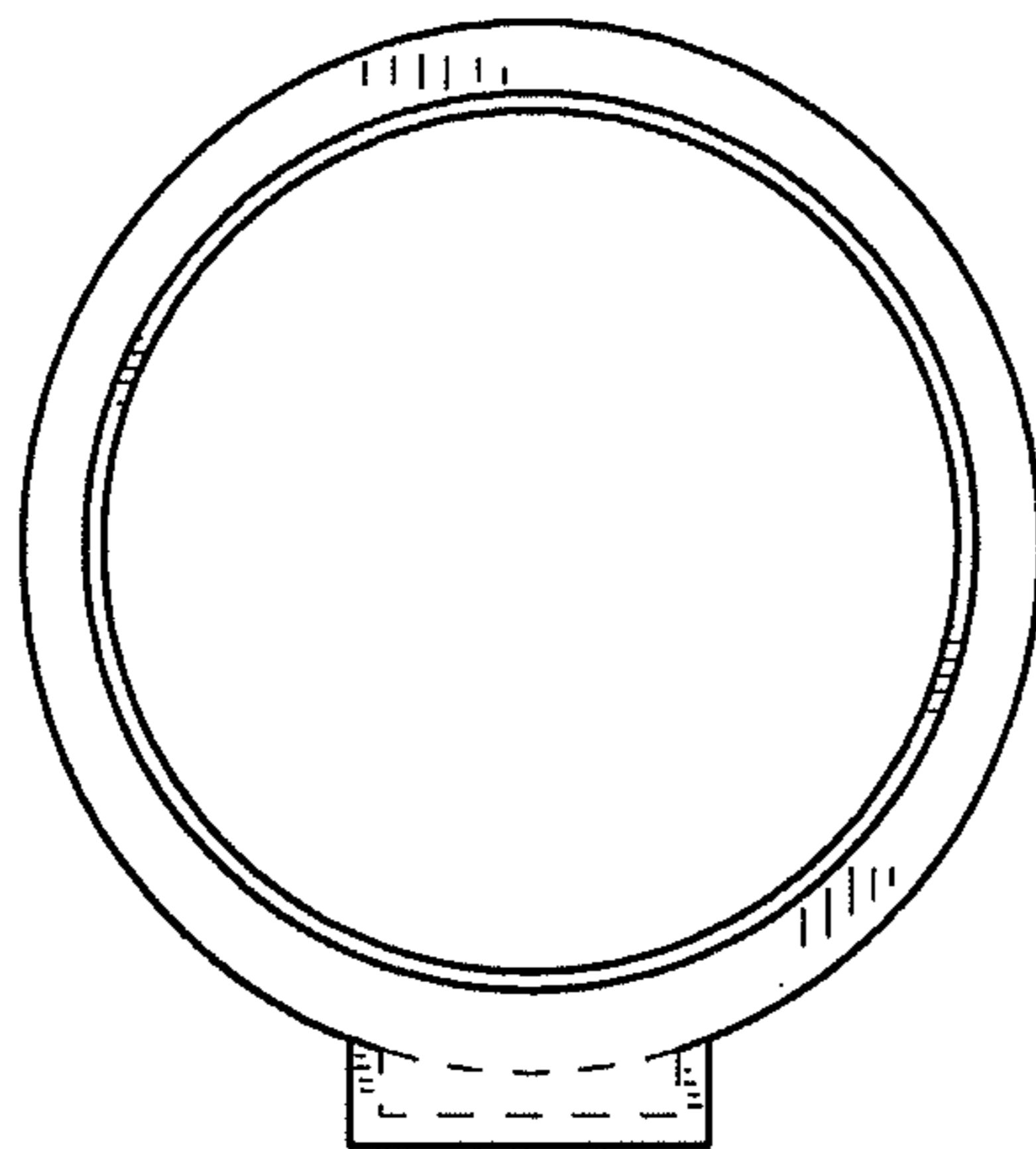


FIG.4

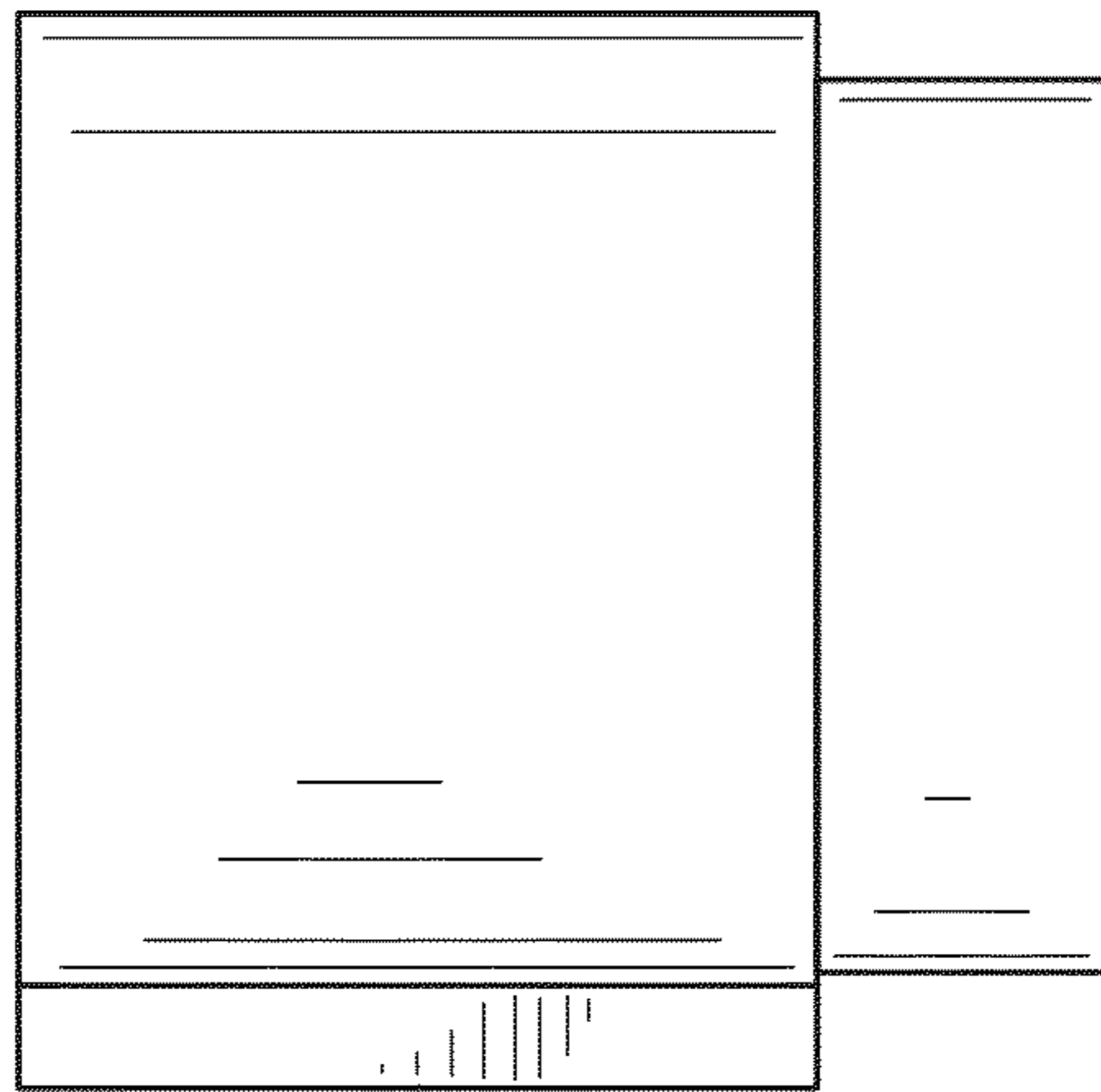


FIG.5

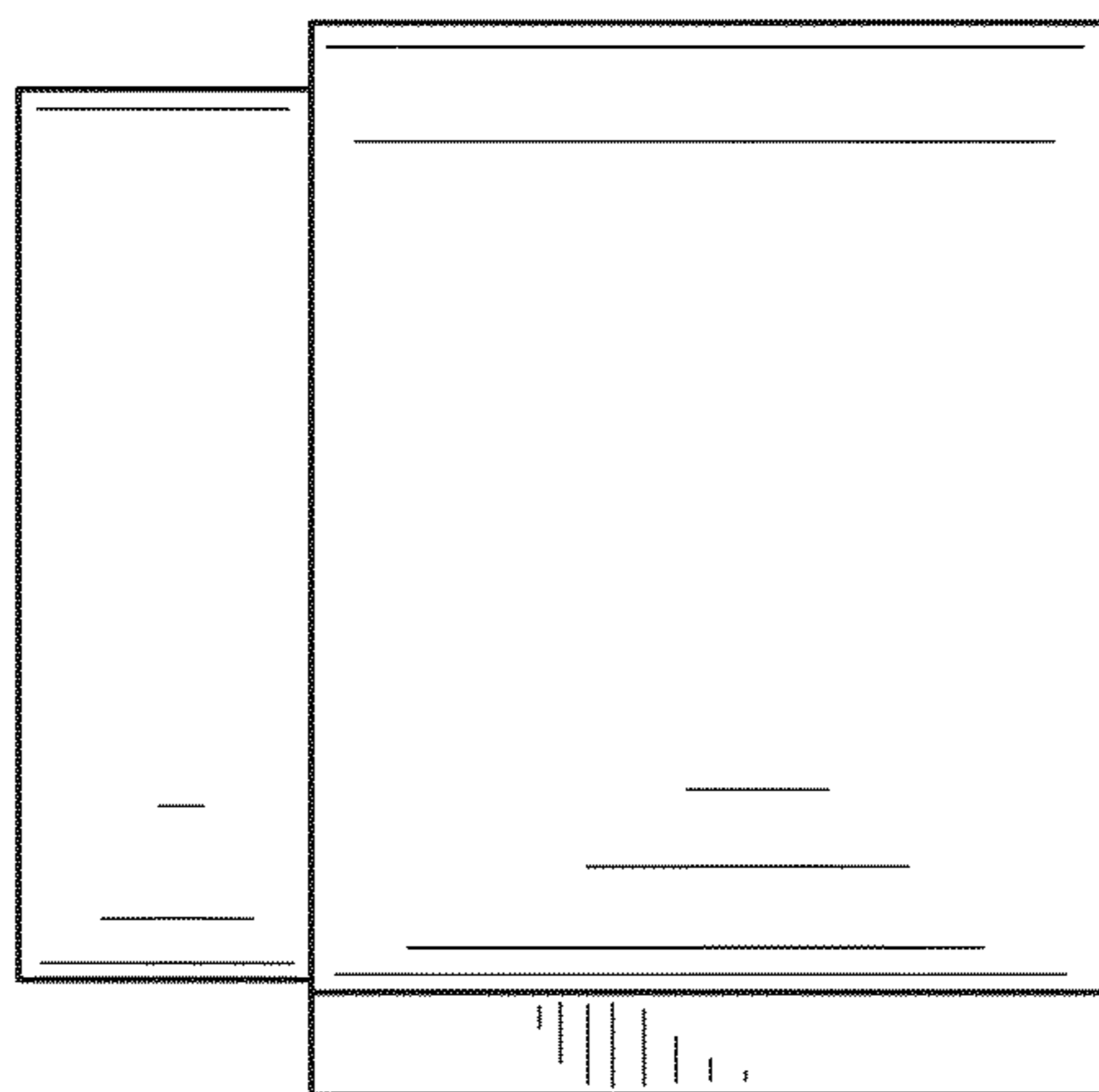


FIG.6

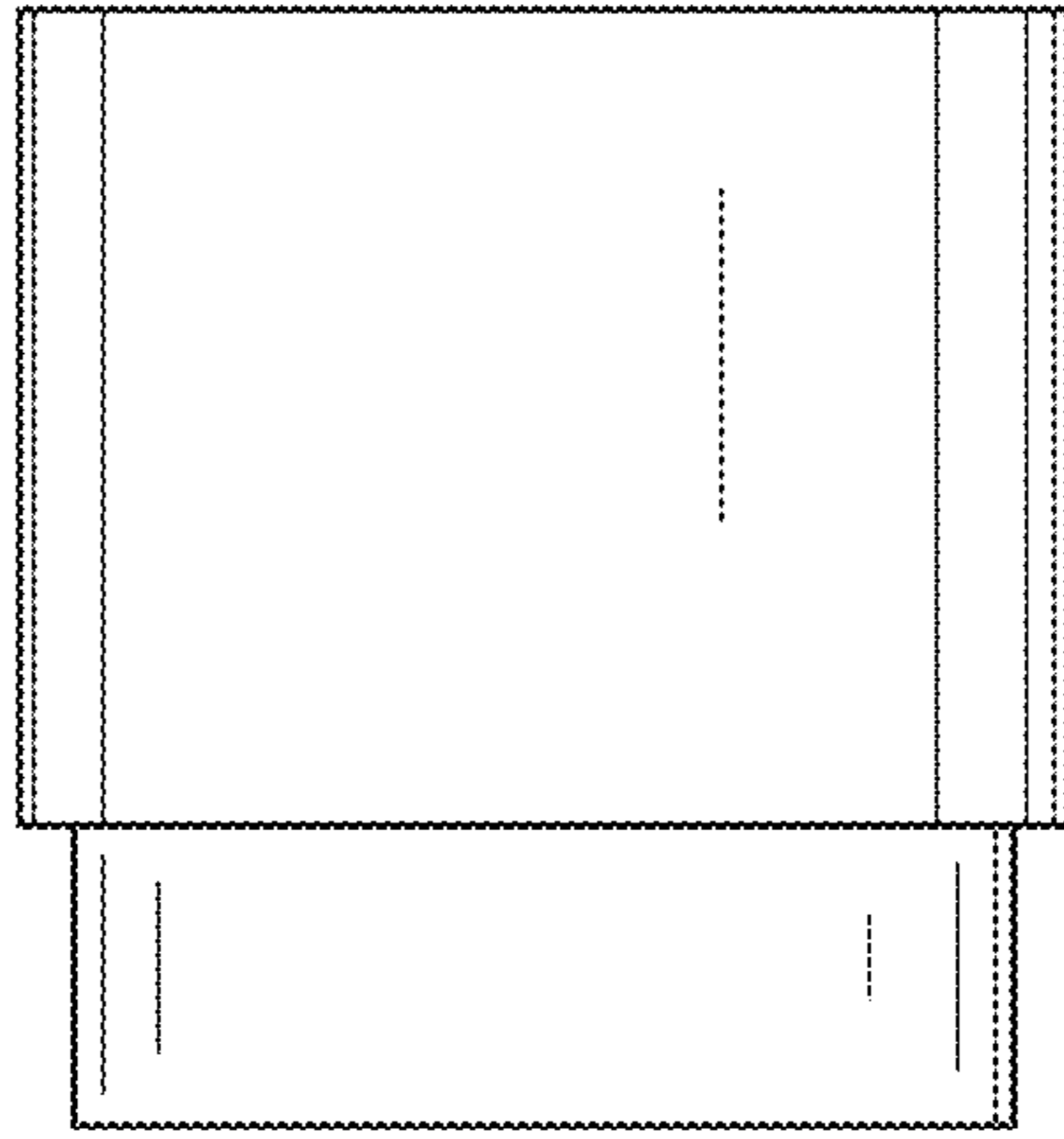


FIG. 7

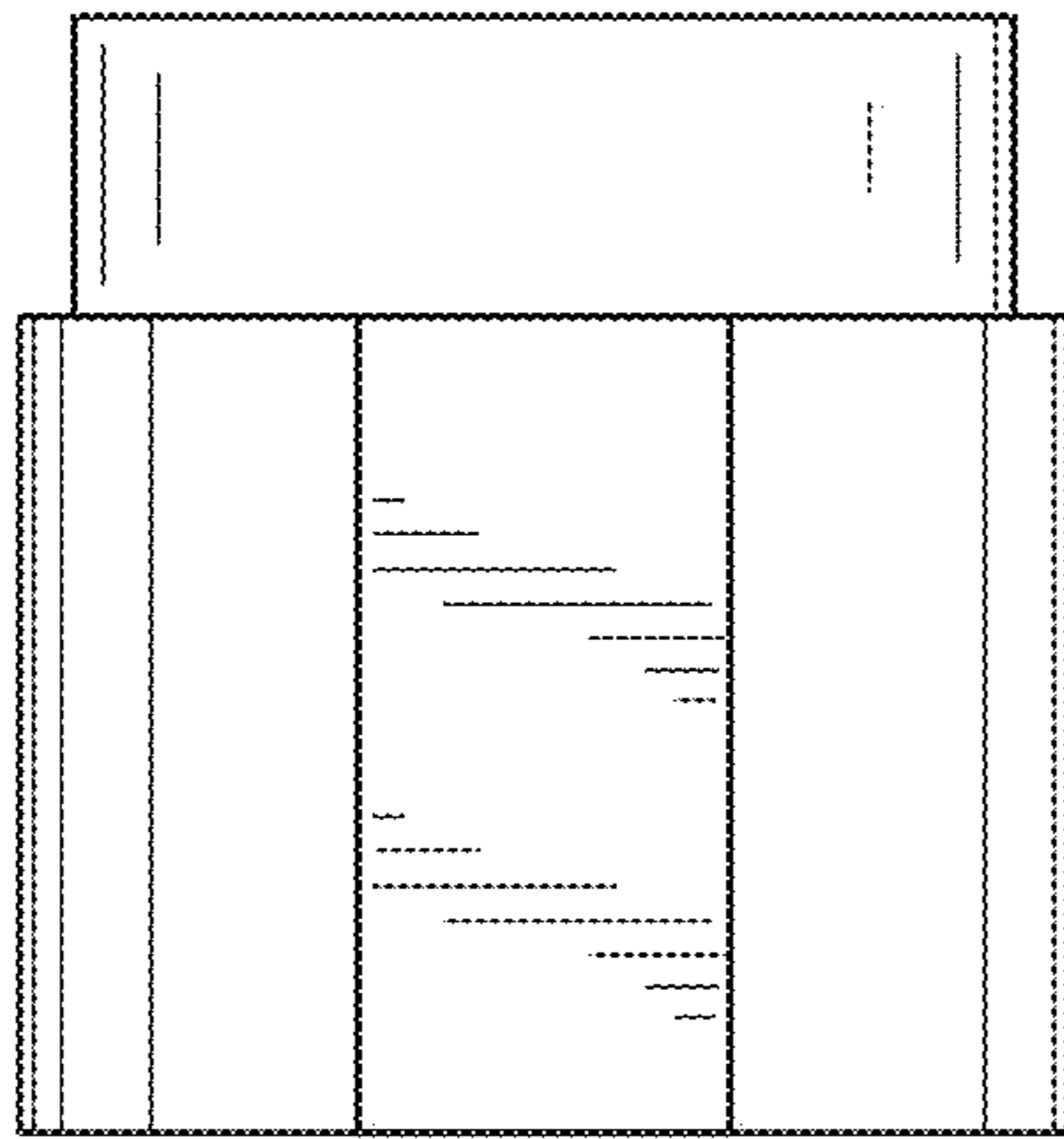


FIG. 8