



US00D691243S

(12) **United States Design Patent**
Meyer

(10) **Patent No.:** **US D691,243 S**

(45) **Date of Patent:** **** Oct. 8, 2013**

(54) **CONTROL VALVE FOR SPRINKLER SYSTEM**

(75) **Inventor:** **Michael Meyer**, Schwalkheim (DE)

(73) **Assignee:** **Alfred Kaercher GmbH & Co. KG**,
Winnenden (DE)

(**) **Term:** **14 Years**

(21) **Appl. No.:** **29/426,953**

(22) **Filed:** **Jul. 12, 2012**

(30) **Foreign Application Priority Data**

Jan. 18, 2012 (WO) DM/077 524

(51) **LOC (9) Cl.** **23-01**

(52) **U.S. Cl.**
USPC **D23/245**

(58) **Field of Classification Search**
USPC D23/233-237, 244-249; 137/557,
137/558, 508; 251/349, 341
See application file for complete search history.

(56) **References Cited**

U.S. PATENT DOCUMENTS

2,478,702	A *	8/1949	Moody	137/624.15
2,846,119	A *	8/1958	Robbins	222/20
D191,294	S *	9/1961	Charnota	D23/246
3,097,762	A *	7/1963	Charnota et al.	222/20
3,187,943	A *	6/1965	Wolf	222/20
D208,451	S *	8/1967	Anesi	D23/245
3,473,695	A *	10/1969	Anesi	222/20
D235,145	S *	5/1975	Fernandez	D23/245

3,915,185	A *	10/1975	Sanner	137/78.3
3,921,667	A *	11/1975	Corliss et al.	137/624.15
4,012,673	A *	3/1977	Saarem et al.	361/196
D247,717	S *	4/1978	Sturman et al.	D23/245
4,108,419	A *	8/1978	Sturman et al.	251/30.05
4,114,647	A *	9/1978	Sturman et al.	137/624.2
4,592,505	A *	6/1986	Bruninga et al.	239/69
4,633,905	A *	1/1987	Wang	137/624.11
D289,431	S *	4/1987	Clivio et al.	D23/246
4,708,264	A *	11/1987	Bruninga	222/20
4,722,478	A *	2/1988	Fletcher et al.	239/69
D299,517	S *	1/1989	Vigneau	D23/235
4,797,820	A *	1/1989	Wilson et al.	700/284
4,807,664	A *	2/1989	Wilson et al.	137/624.11
D606,164	S *	12/2009	Kawakami et al.	D23/233
D635,219	S *	3/2011	Funari et al.	D23/233

* cited by examiner

Primary Examiner — Cynthia Ramirez

(74) *Attorney, Agent, or Firm* — Lipsitz & McAllister, LLC

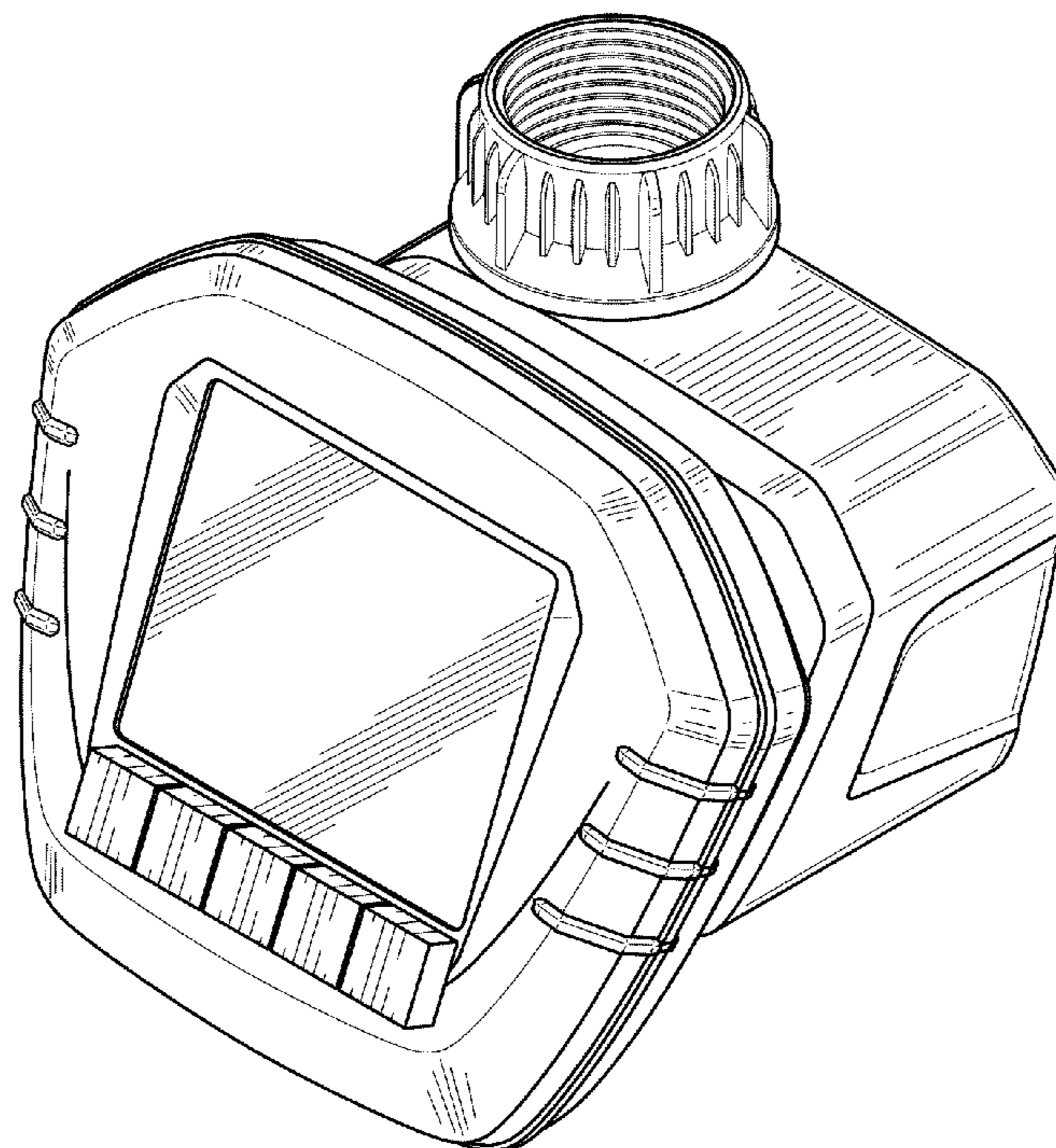
(57) **CLAIM**

The ornamental design for a control valve for sprinkler system, as shown and described.

DESCRIPTION

FIG. 1 is a front, top and left side perspective view of a control valve for sprinkler system showing my new design; FIG. 2 is a front, top and right side perspective view thereof; FIG. 3 is a front elevational view thereof; FIG. 4 is a left side elevational view thereof; FIG. 5 is a rear elevational view thereof; FIG. 6 is a right side elevational view thereof; and, FIG. 7 is a top plan view thereof.

1 Claim, 7 Drawing Sheets



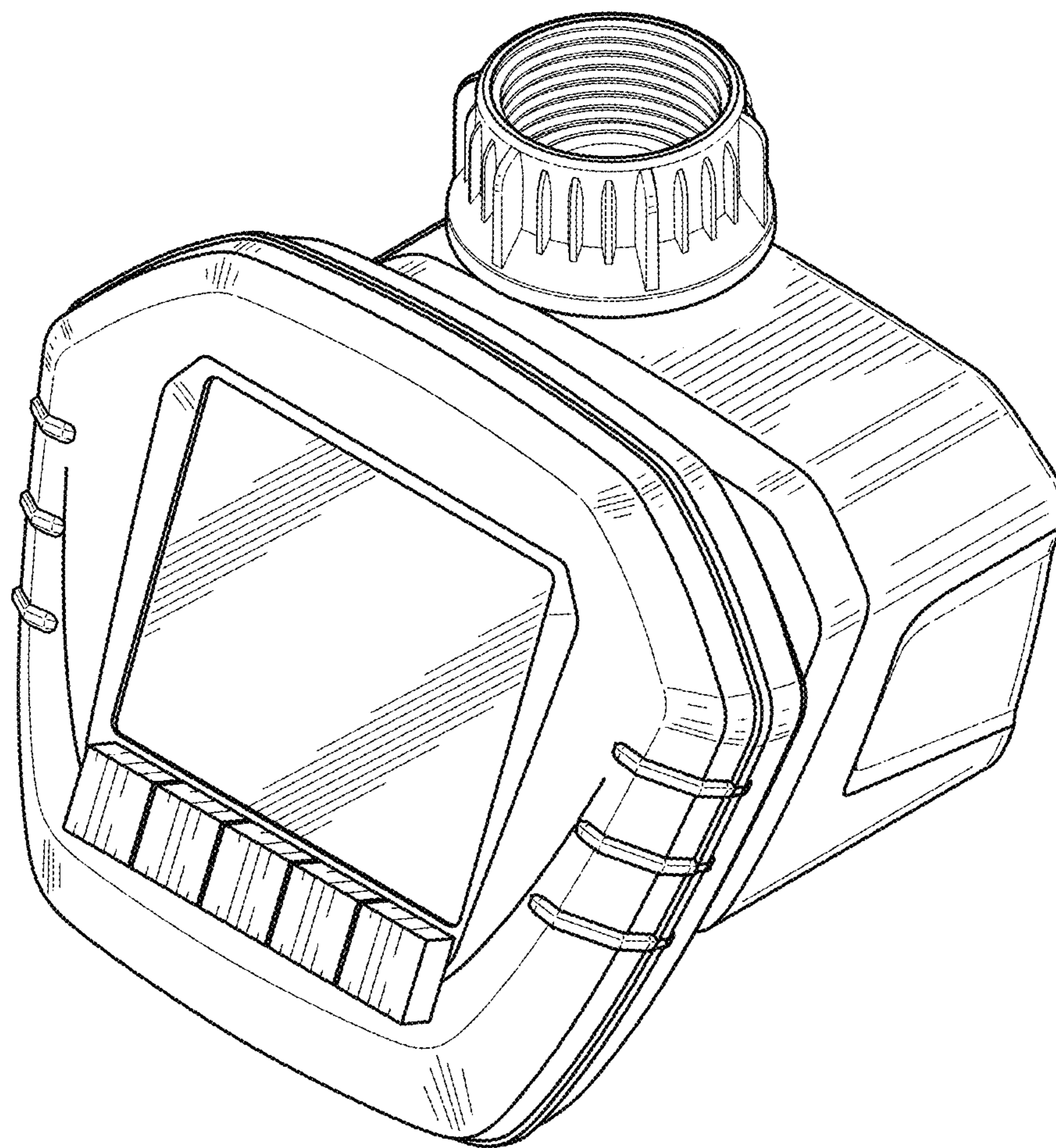


FIG. 1

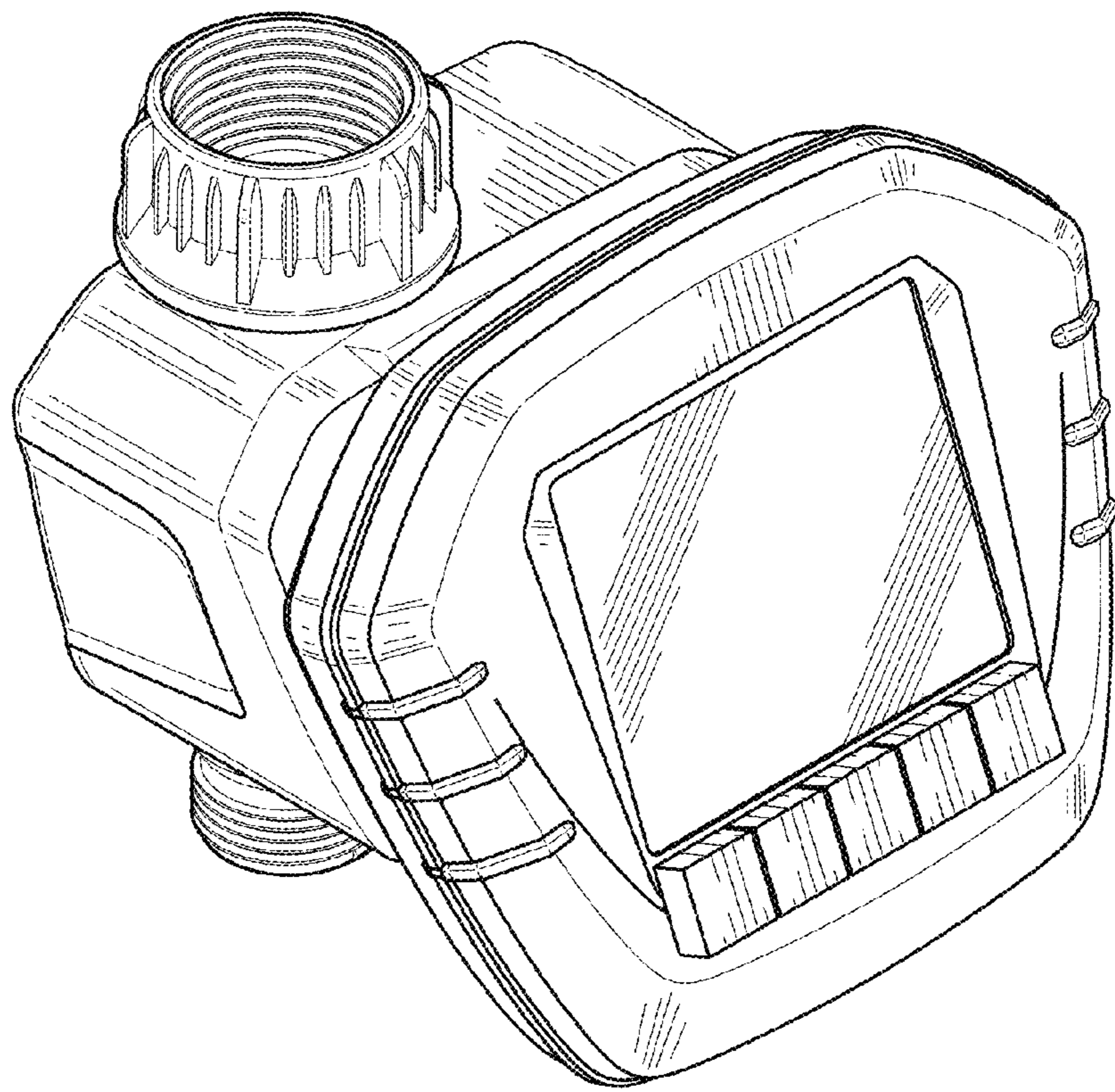


FIG. 2

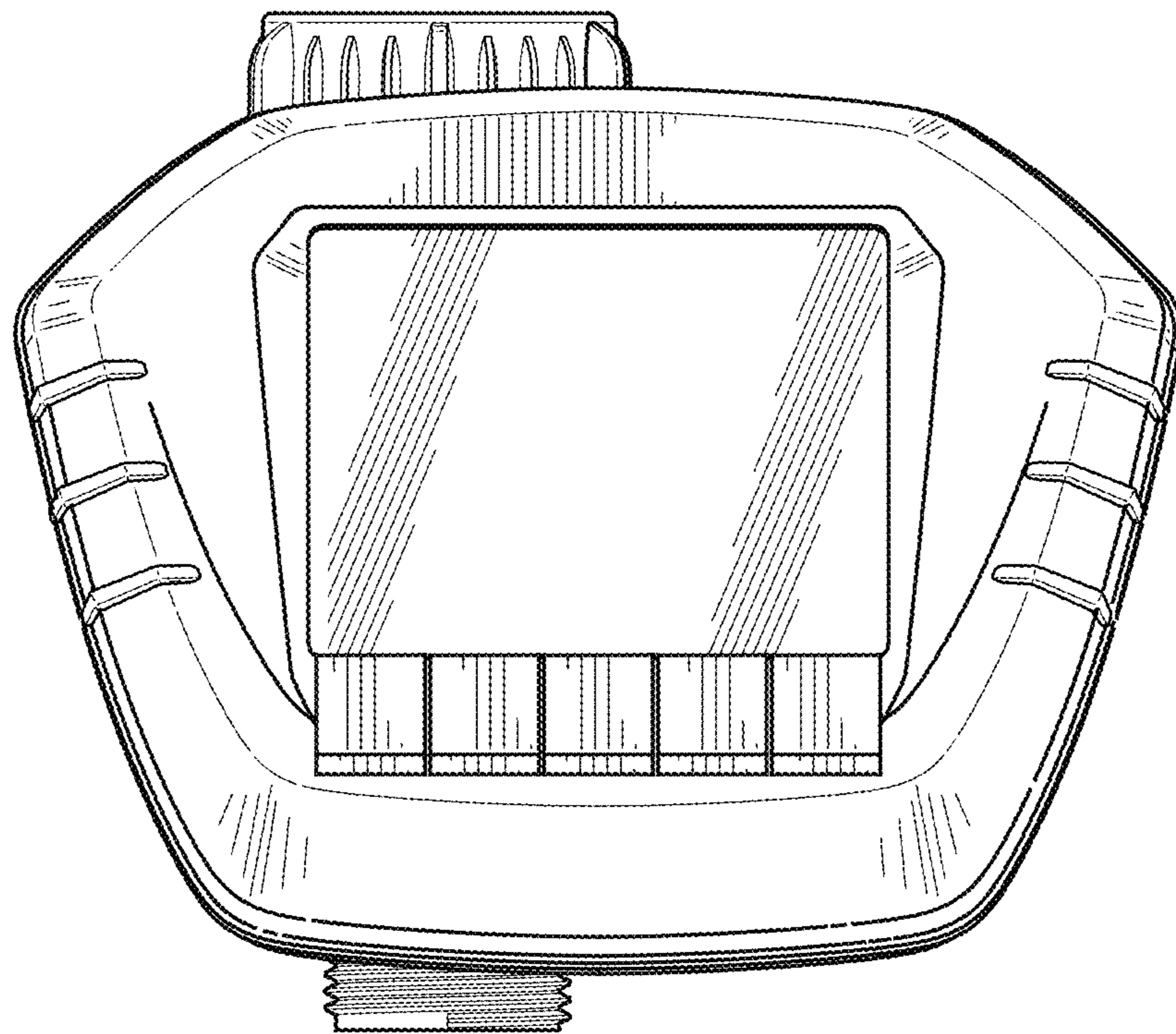


FIG. 3

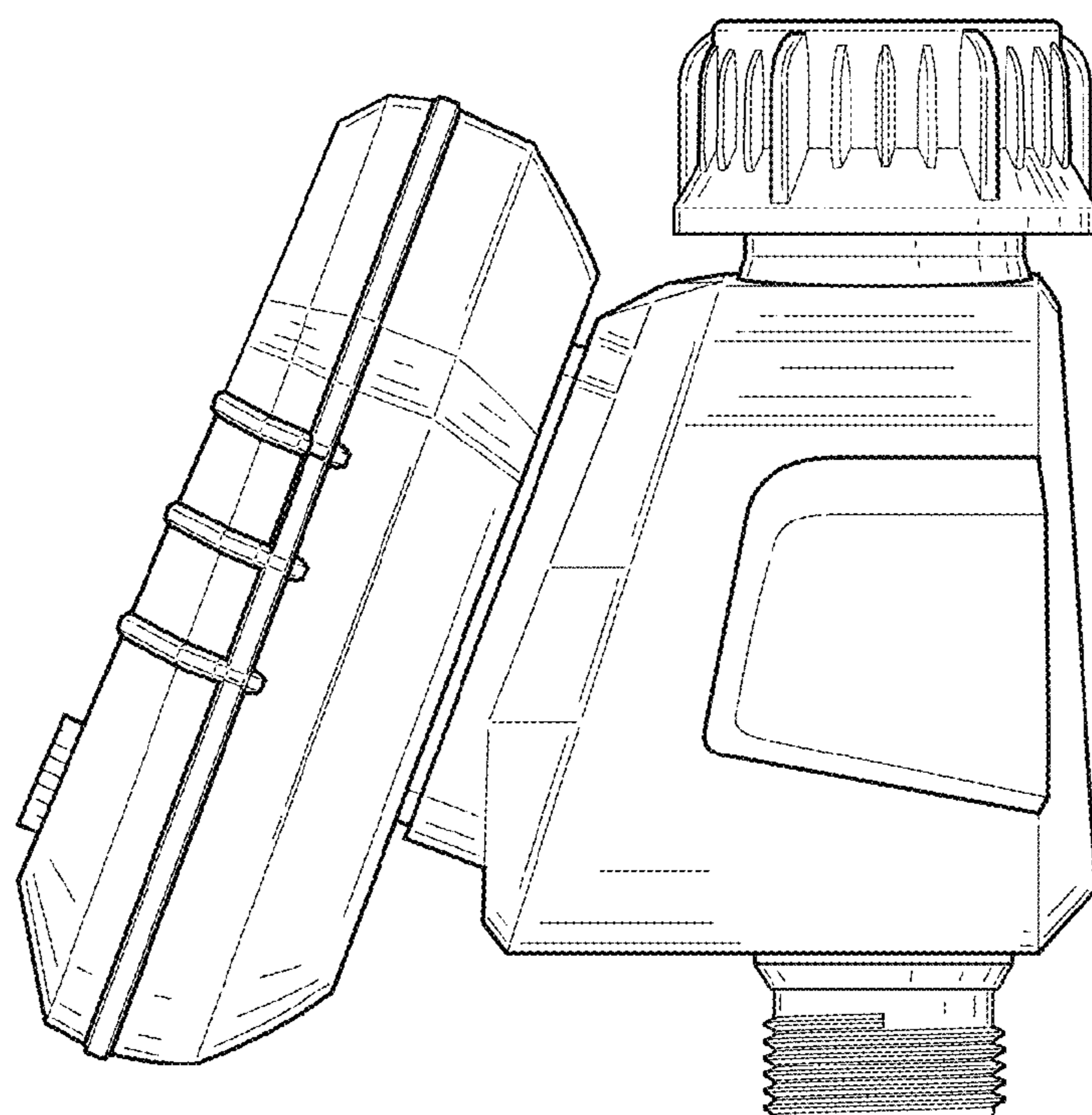


FIG. 4

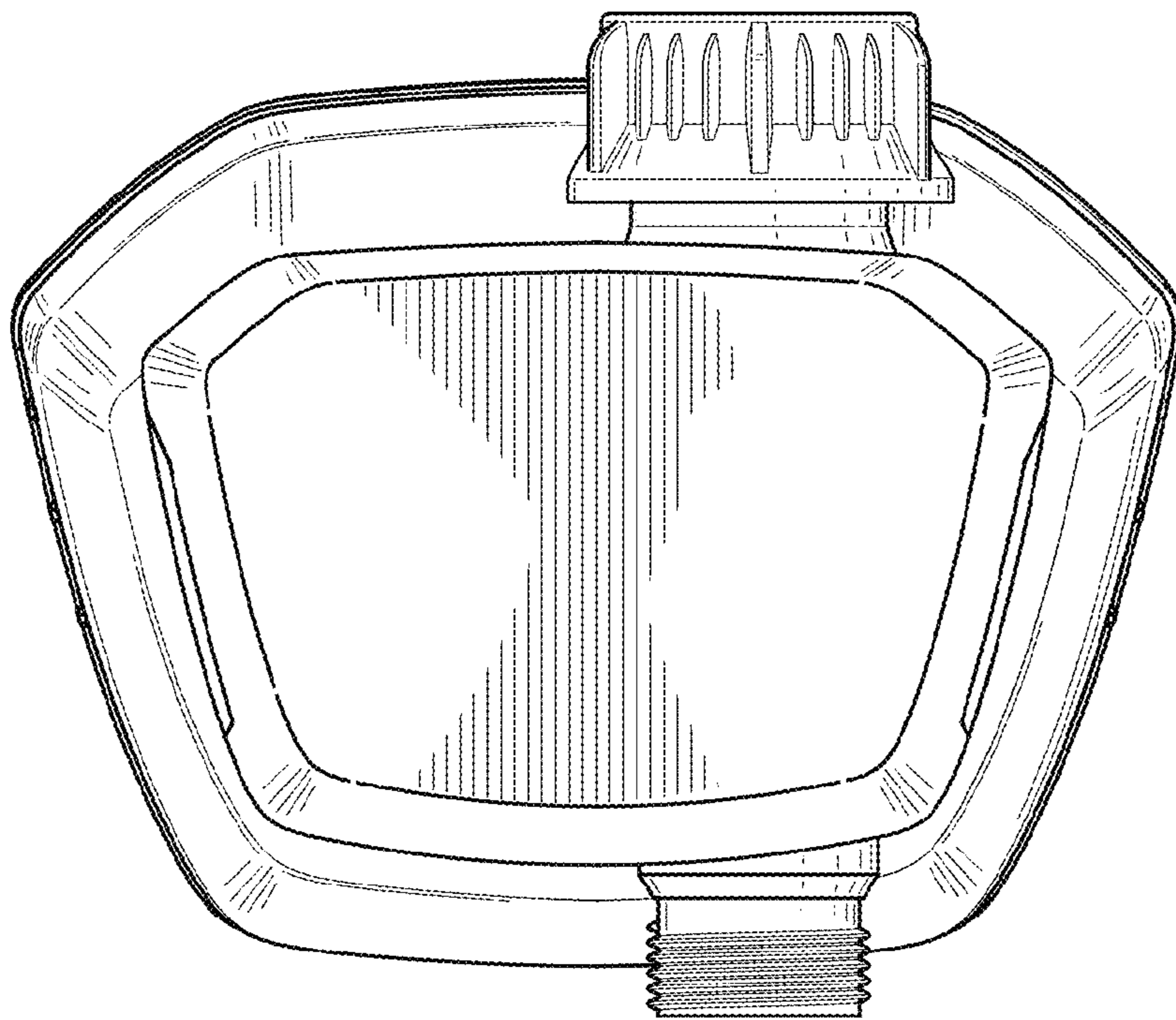


FIG. 5

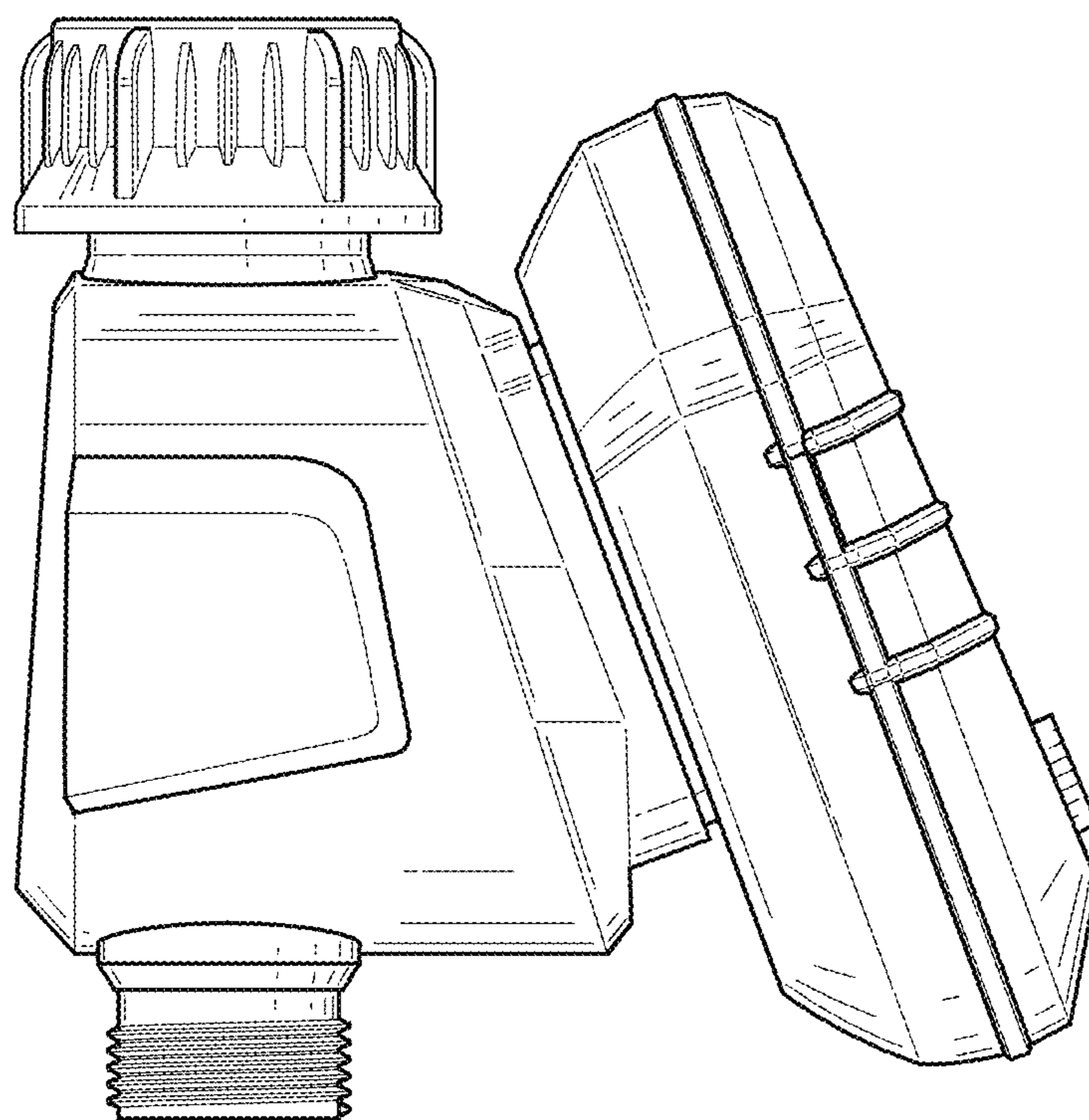


FIG. 6

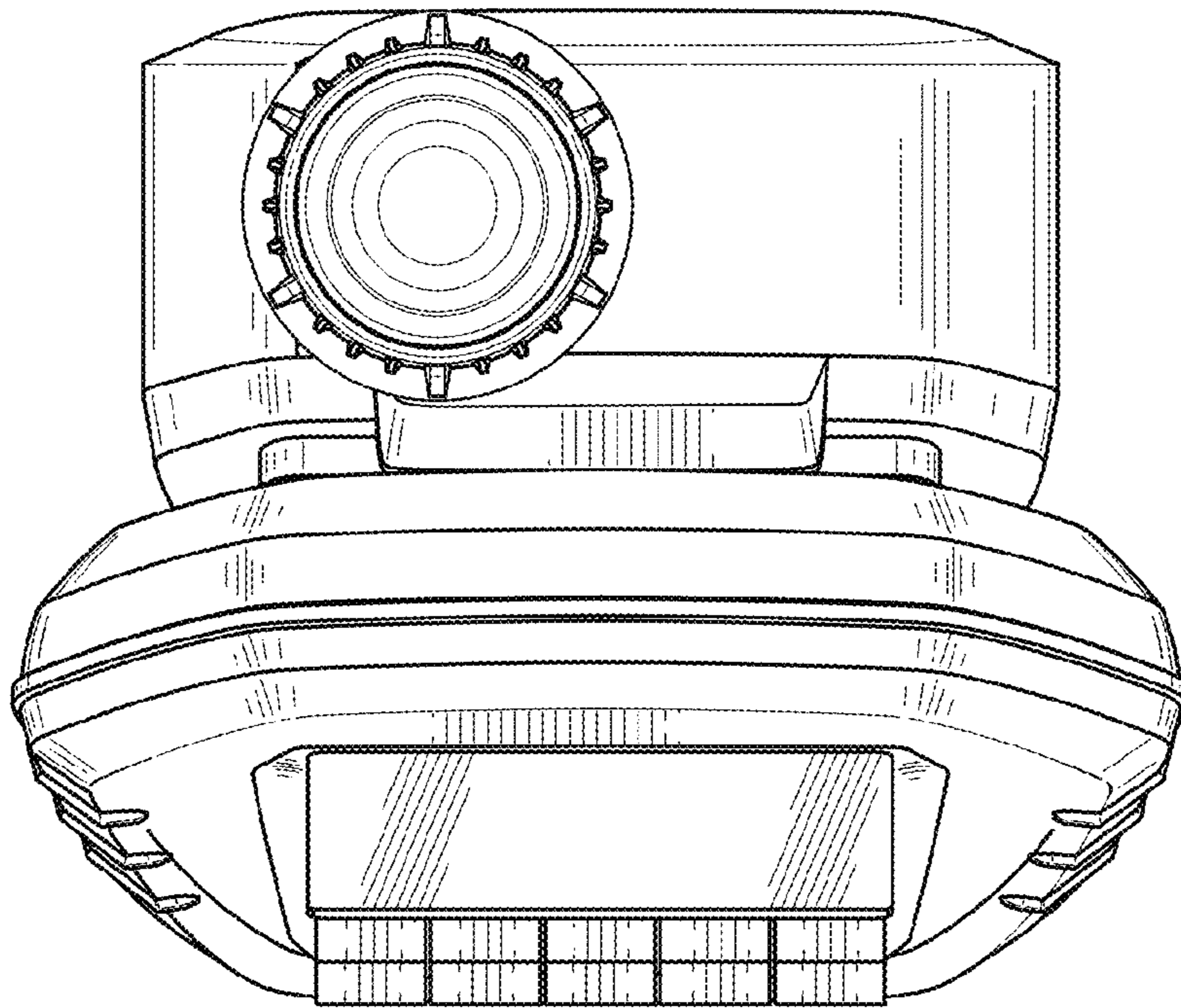


FIG. 7

UNITED STATES PATENT AND TRADEMARK OFFICE
CERTIFICATE OF CORRECTION

PATENT NO. : D691,243 S
APPLICATION NO. : 29/426953
DATED : October 8, 2013
INVENTOR(S) : Michael Meyer

Page 1 of 1

It is certified that error appears in the above-identified patent and that said Letters Patent is hereby corrected as shown below:

On the title page, the Inventor is corrected to read:

Item (75) Inventor: Michael Meyer, Schwaikheim (DE)

Signed and Sealed this
Twenty-fourth Day of December, 2013



Margaret A. Focarino
Commissioner for Patents of the United States Patent and Trademark Office