



US00D691242S

(12) **United States Design Patent**  
**Gessi**

(10) **Patent No.:** **US D691,242 S**  
(45) **Date of Patent:** **\*\* Oct. 8, 2013**

(54) **FAUCET**  
(71) Applicant: **Gessi S.p.A.**, Serravalle Sesia (IT)  
(72) Inventor: **Gian Luca Gessi**, Borgosesia (IT)  
(73) Assignee: **Gessi S.p.A.**, Serravalle Sesia (IT)  
(\*\*) Term: **14 Years**  
(21) Appl. No.: **29/444,418**  
(22) Filed: **Jan. 30, 2013**

D484,220 S 12/2003 Graves et al.  
D484,575 S 12/2003 Graves et al.  
D529,992 S 10/2006 Lammel  
D530,395 S 10/2006 Lammel  
D538,894 S 3/2007 Hoernig  
D541,906 S \* 5/2007 Qing ..... D23/238  
D596,711 S 7/2009 Sieger  
D602,121 S \* 10/2009 Yabe et al. .... D23/238  
D607,545 S 1/2010 Obara  
D608,419 S 1/2010 Kohler et al.  
D625,393 S 10/2010 Sieger  
D636,066 S 4/2011 Schoenherr et al.  
D645,938 S \* 9/2011 Ando et al. .... D23/238

\* cited by examiner

(30) **Foreign Application Priority Data**

Aug. 6, 2012 (IT) ..... MI2012O0117

(51) **LOC (9) Cl.** ..... **23-01**  
(52) **U.S. Cl.**  
USPC ..... **D23/238**

(58) **Field of Classification Search**  
USPC ..... D23/238, 241–243, 250, 254.255,  
D23/257; 4/675–678; 137/801  
See application file for complete search history.

(56) **References Cited**

**U.S. PATENT DOCUMENTS**

D317,645 S 6/1991 Rosenbaum  
D320,433 S 10/1991 Knapp et al.  
D390,917 S 2/1998 Kergoet  
D448,066 S 9/2001 Zetsche  
D462,421 S 9/2002 Hundley

*Primary Examiner* — Robert Delehanty

(74) *Attorney, Agent, or Firm* — Pearne & Gordon LLP

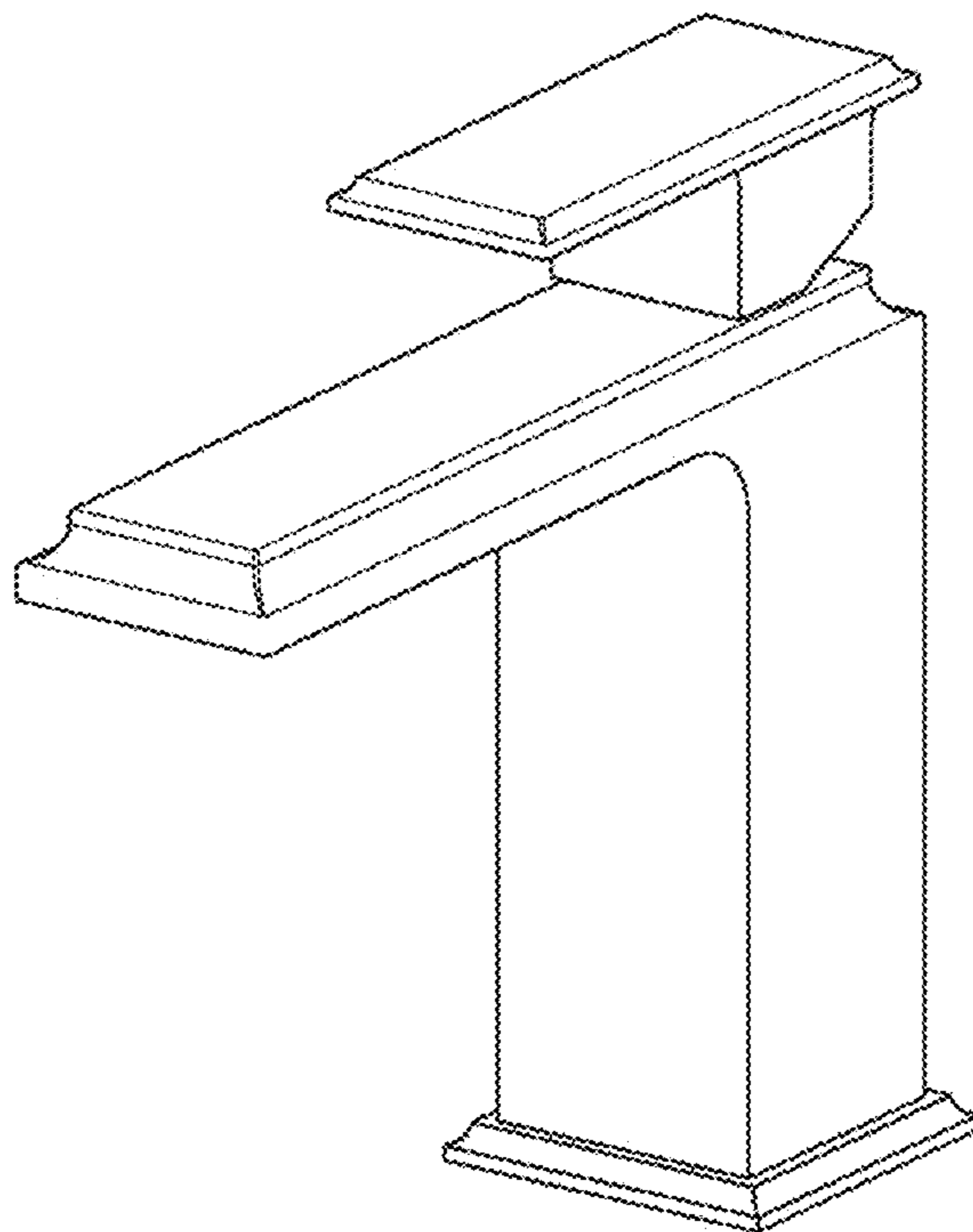
(57) **CLAIM**

The ornamental design for a faucet, as shown and described.

**DESCRIPTION**

FIG. 1 is a perspective view of a faucet, showing my new design;  
FIG. 2 is a right side elevational view thereof;  
FIG. 3 is a left side elevational view thereof;  
FIG. 4 is a top plan view thereof;  
FIG. 5 is a bottom plan view thereof;  
FIG. 6 is a front elevational view thereof; and,  
FIG. 7 is a back elevational view thereof.  
The material shown in broken lines is for illustrative purposes only and forms no part of the claimed design.

**1 Claim, 5 Drawing Sheets**



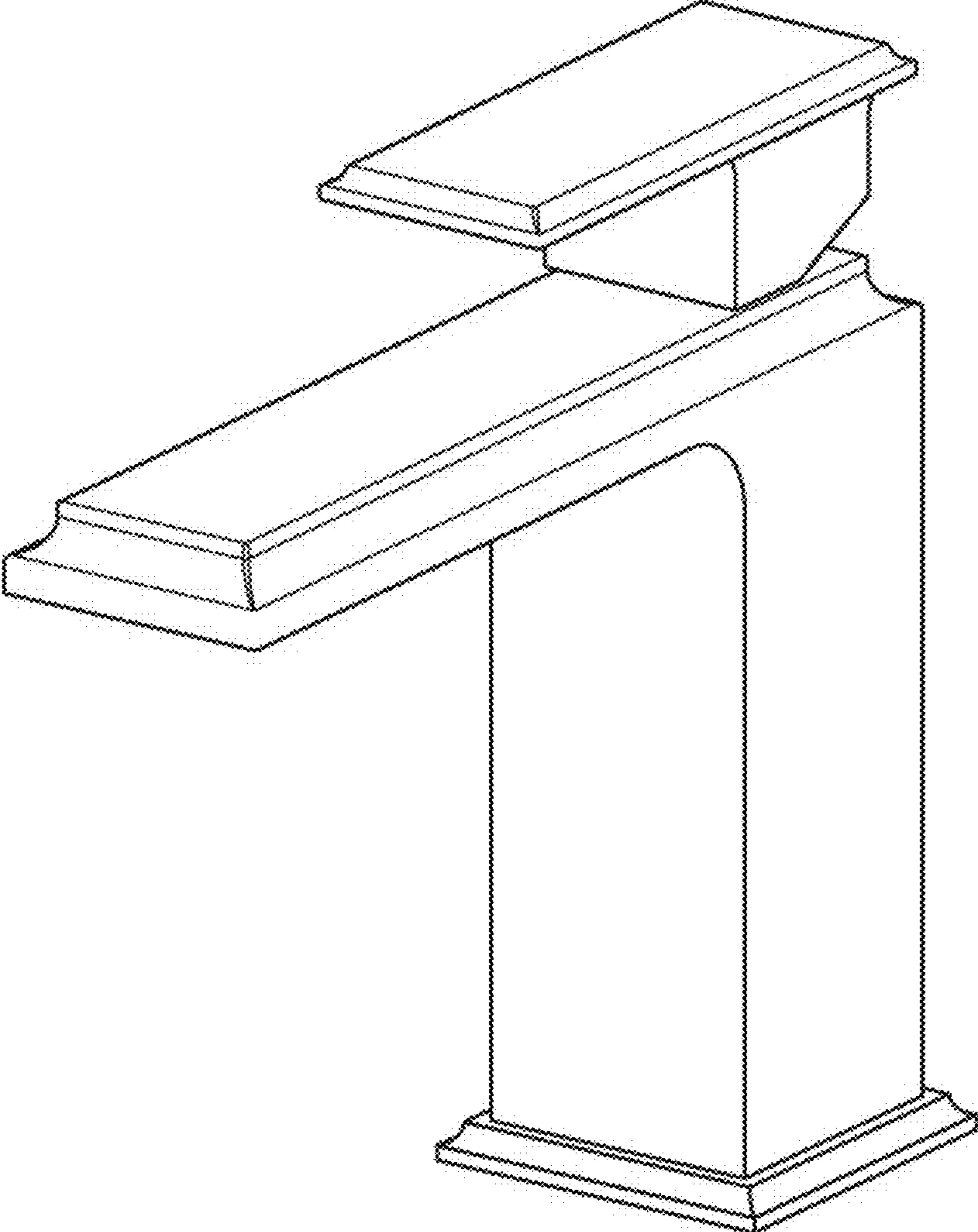


FIG. 1

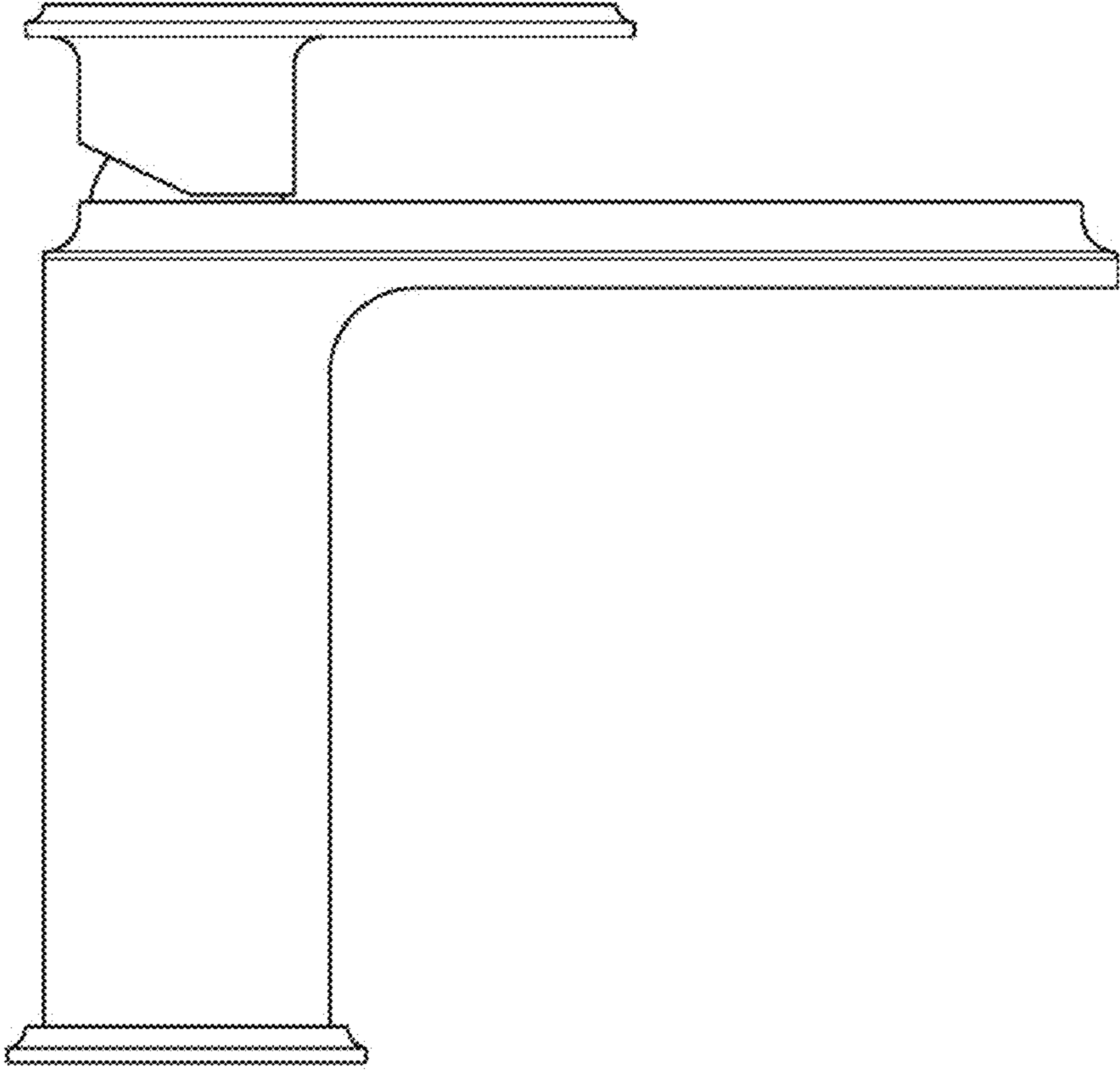


FIG. 2

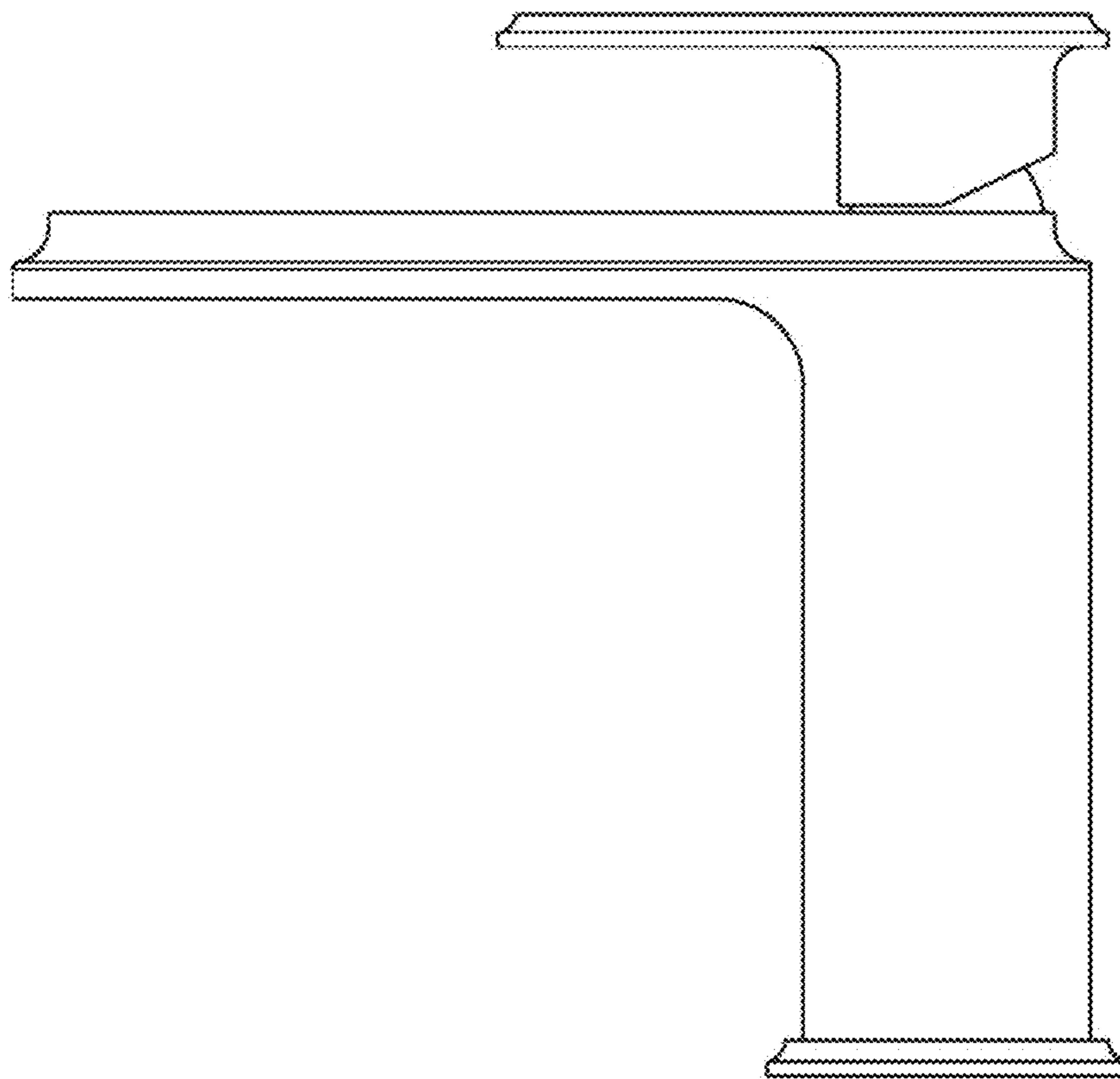


FIG. 3

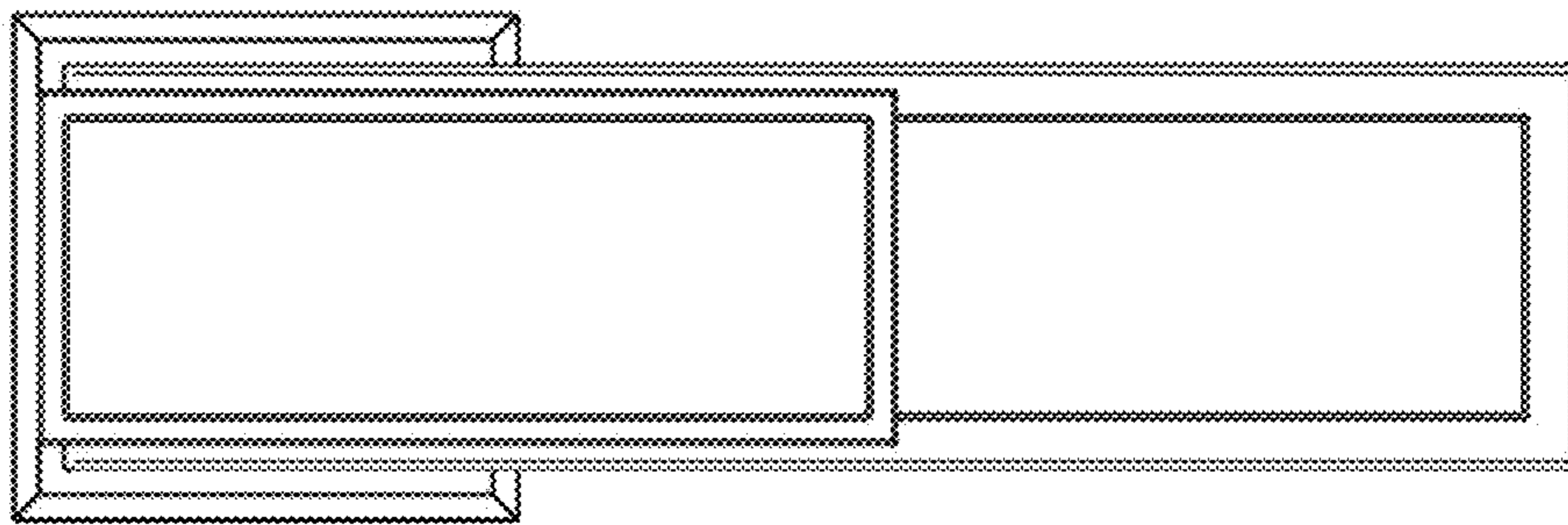


FIG. 4

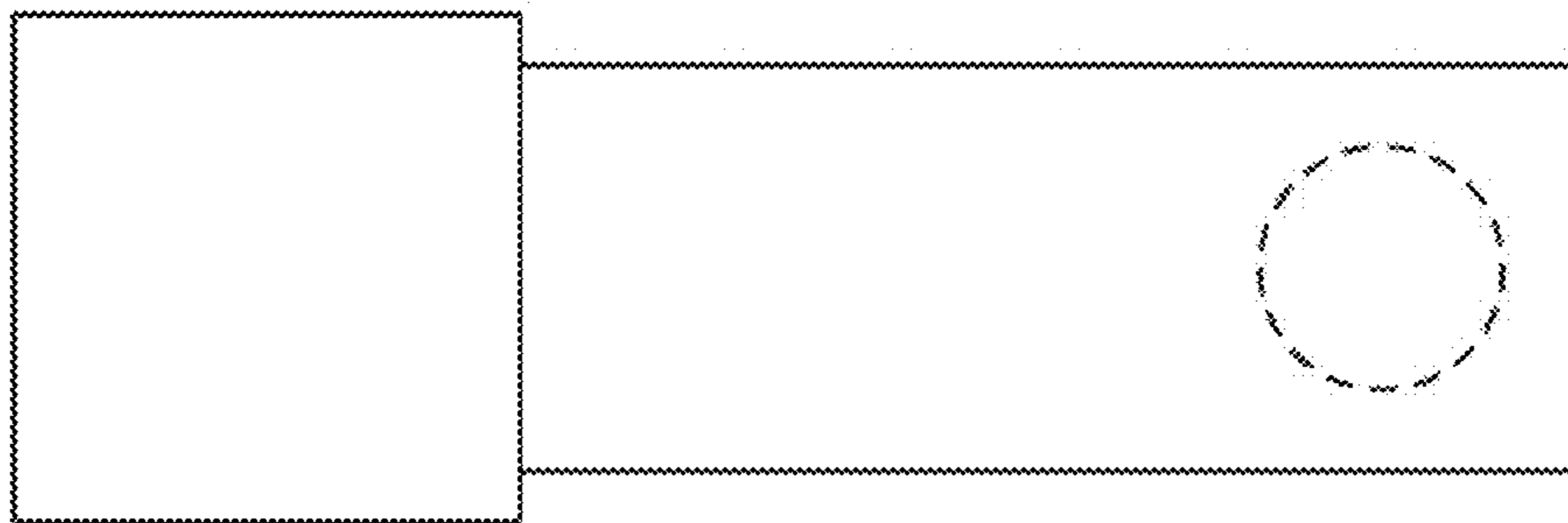


FIG. 5

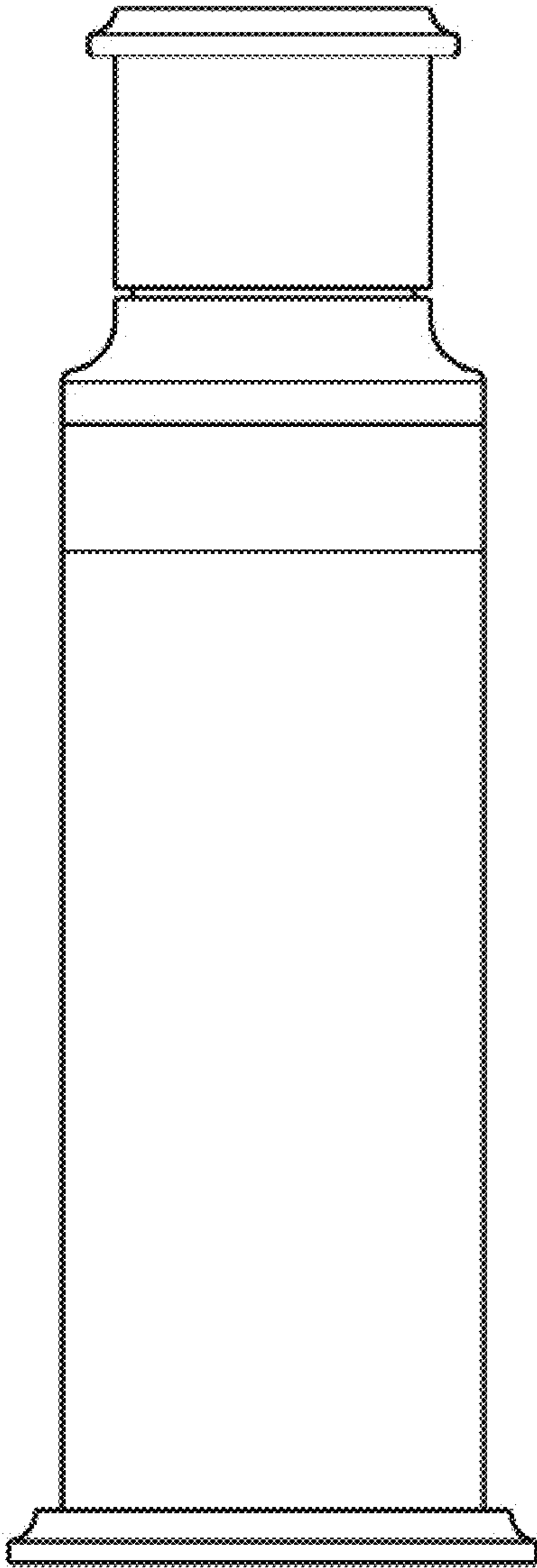


FIG. 6

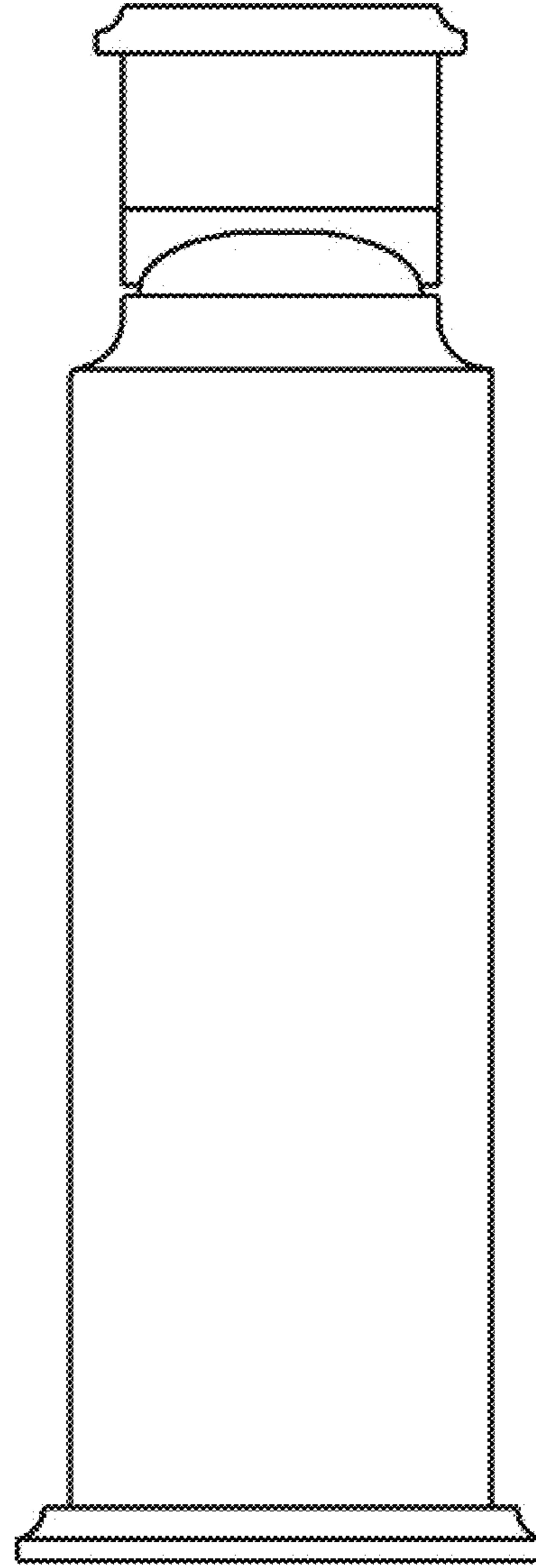


FIG. 7