



US00D691241S

(12) **United States Design Patent**  
**Braun**

(10) **Patent No.:** **US D691,241 S**  
(45) **Date of Patent:** **\*\* Oct. 8, 2013**

(54) **FOUR TUBE CORIOLLIS FLOW METER**

(75) Inventor: **Marcel Braun**, Inzlingen (DE)

(73) Assignee: **Endress + Hauser Flowtec AG**, Reinach (CH)

(\*\*) Term: **14 Years**

(21) Appl. No.: **29/410,442**

(22) Filed: **Jan. 9, 2012**

(30) **Foreign Application Priority Data**

Jul. 7, 2011 (EP) ..... 001888322-0001

(51) **LOC (9) Cl.** ..... **23-01**

(52) **U.S. Cl.**  
USPC ..... **D23/235**

(58) **Field of Classification Search**  
USPC ..... D23/233-235, 244-249, 236, 254,  
D23/258; 138/46; 73/861.27; 137/138,  
137/218, 299, 300, 318, 594  
See application file for complete search history.

(56) **References Cited**

**U.S. PATENT DOCUMENTS**

4,344,456 A \* 8/1982 Hostetler ..... 137/403  
D362,712 S \* 9/1995 Lee ..... D23/235  
5,584,315 A \* 12/1996 Powell ..... 137/15.18  
D403,049 S \* 12/1998 Ohtani et al. .... D23/233

D495,035 S \* 8/2004 Otsuka ..... D23/244  
D540,920 S \* 4/2007 Scaramucci et al. .... D23/249  
D617,878 S \* 6/2010 Weingarten ..... D23/244  
D660,404 S \* 5/2012 Weingarten ..... D23/244  
2003/0084732 A1 \* 5/2003 Ehrlich et al. .... 73/861.27  
2006/0283263 A1 \* 12/2006 Parris et al. .... 73/861.27  
2009/0000666 A1 \* 1/2009 Peyton ..... 137/15.17  
2009/0151472 A1 \* 6/2009 Brown et al. .... 73/861.27  
2011/0005610 A1 \* 1/2011 Yontz ..... 137/218

\* cited by examiner

*Primary Examiner* — Cynthia Ramirez

(74) *Attorney, Agent, or Firm* — Bacon & Thomas, PLLC

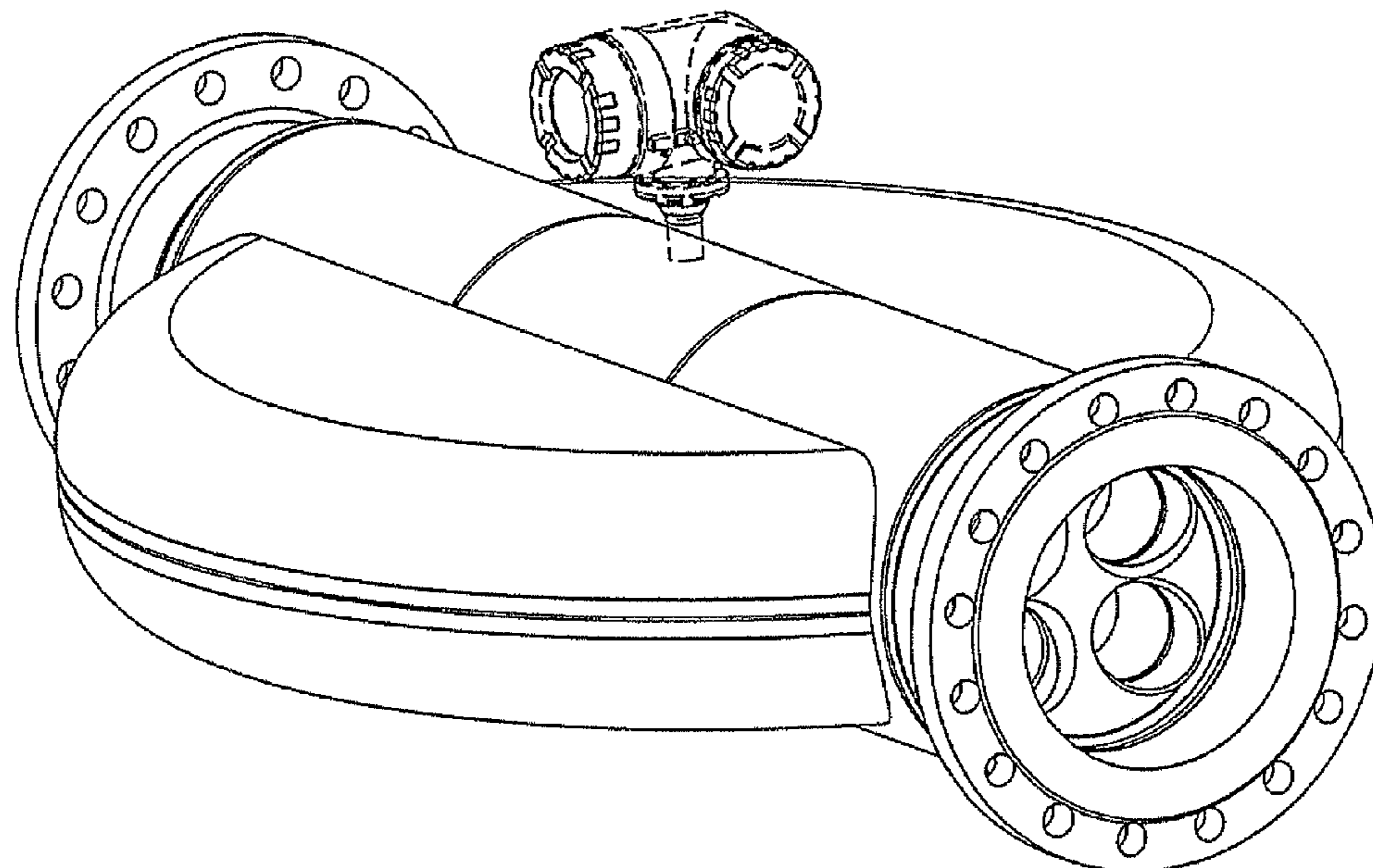
(57) **CLAIM**

The ornamental design of a four tube Coriollis flow meter, as shown and described.

**DESCRIPTION**

FIG. 1 is a front perspective view of the four tube Coriollis flow meter according to the invention;  
FIG. 2 is a top view of the four tube Coriollis flow meter of FIG. 1;  
FIG. 3 is a bottom view of the four tube Coriollis flow meter of FIG. 1;  
FIG. 4 is a right side view of the four tube Coriollis flow meter of FIG. 1;  
FIG. 5 is a left side view of the four tube Coriollis flow meter of FIG. 1;  
FIG. 6 is a rear view of the four tube Coriollis flow meter of FIG. 1; and,  
FIG. 7 is a front view of the four tube Coriollis flow meter of FIG. 1.

**1 Claim, 7 Drawing Sheets**



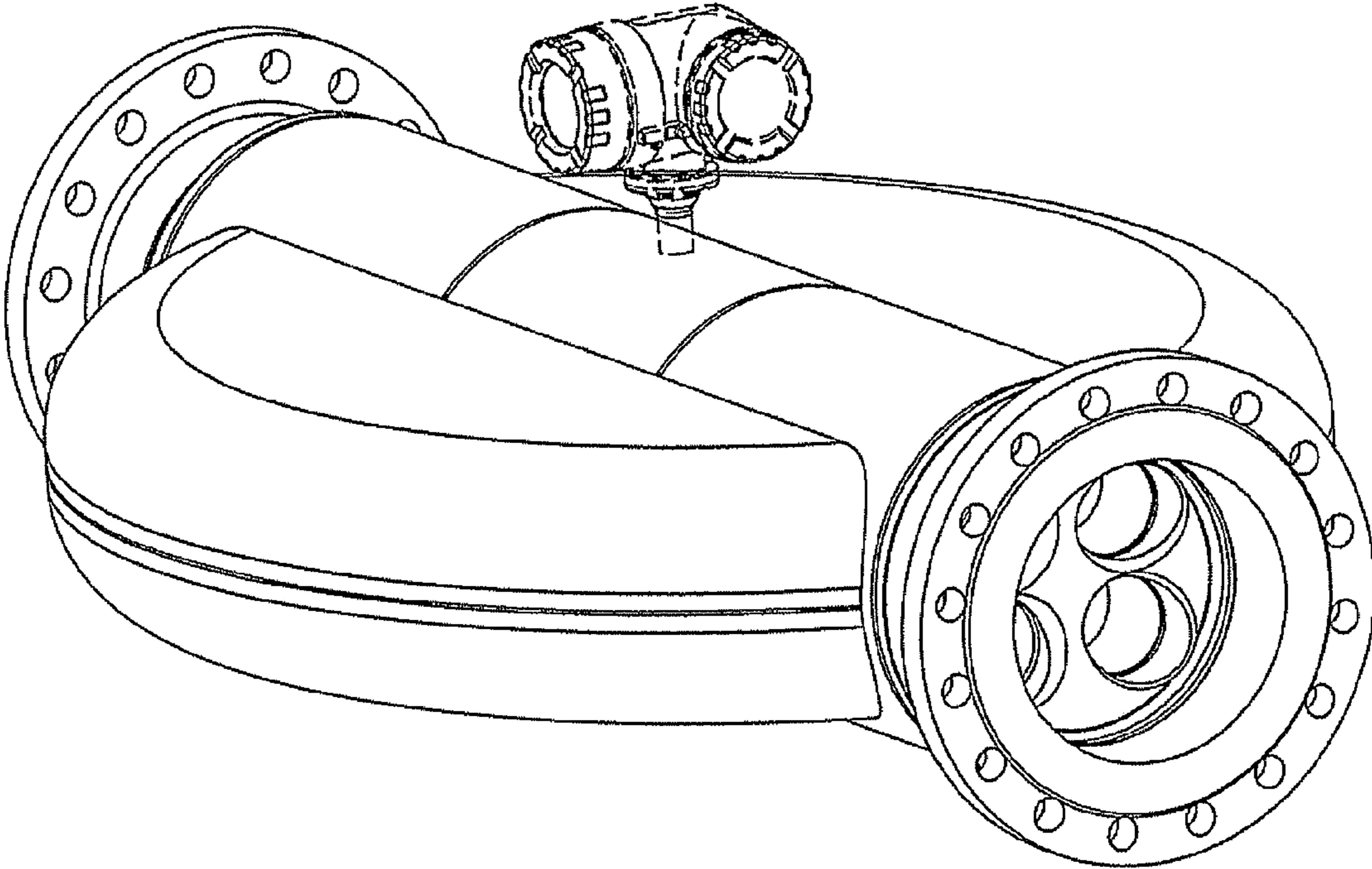


Fig. 1

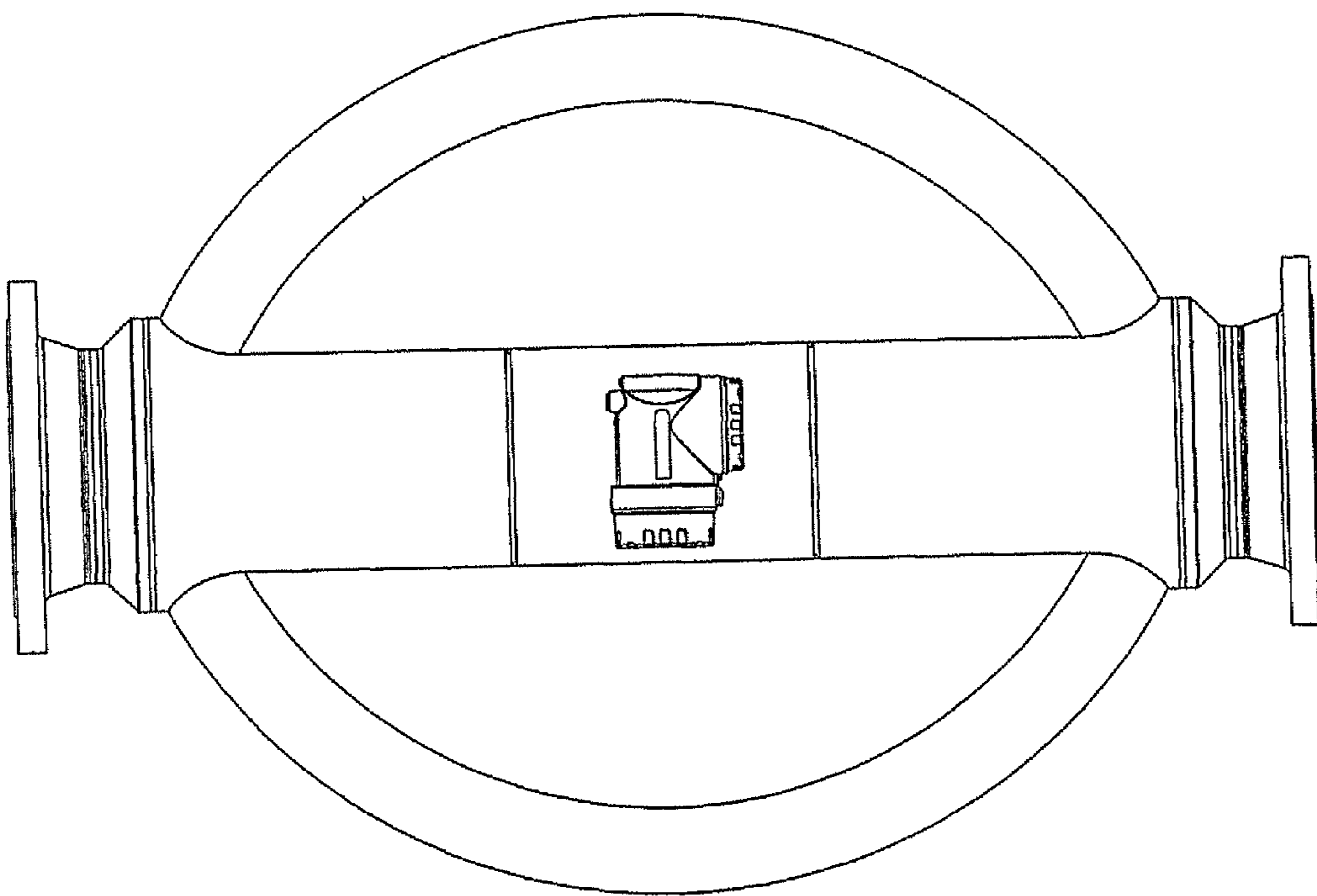


Fig. 2

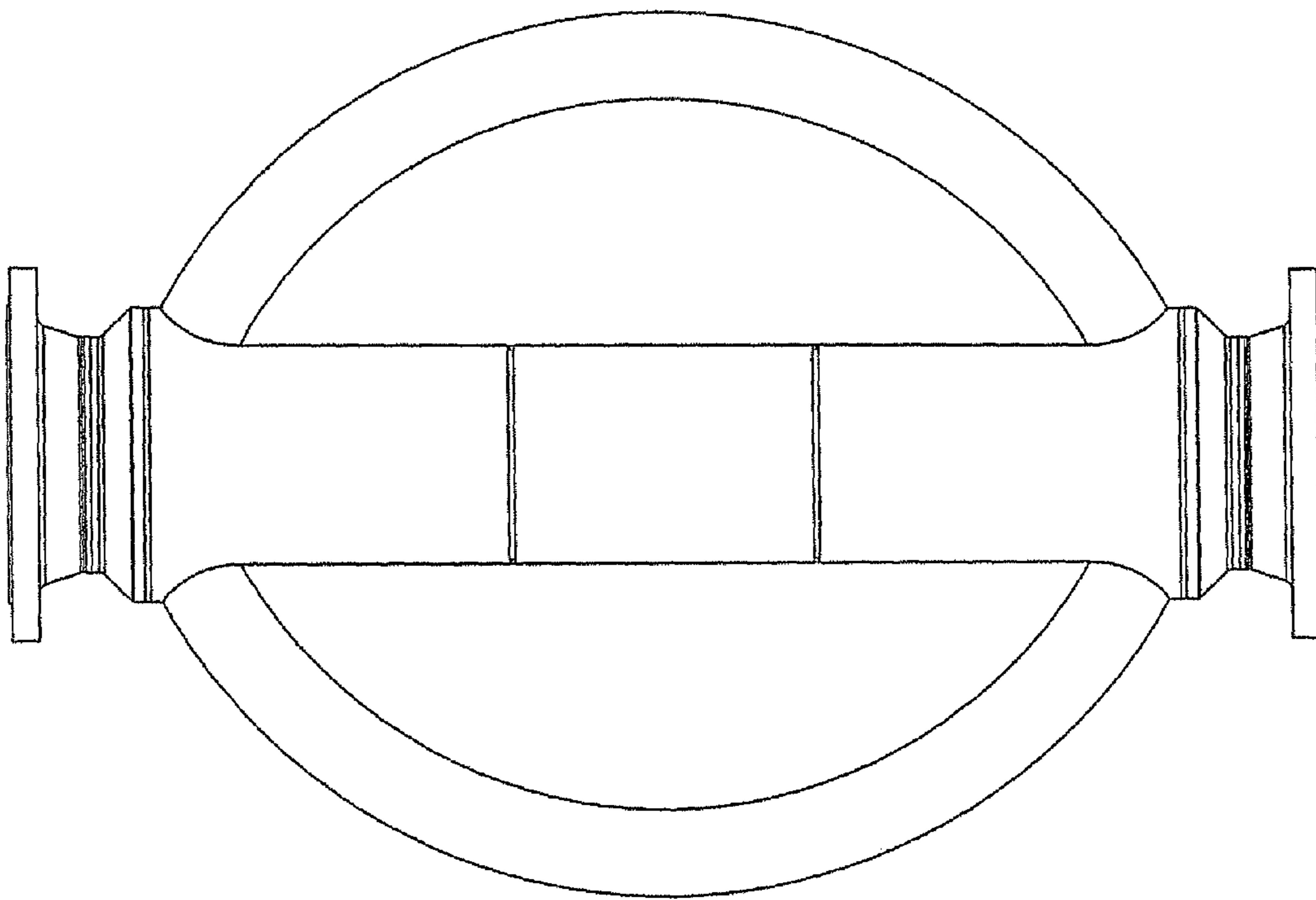


Fig. 3

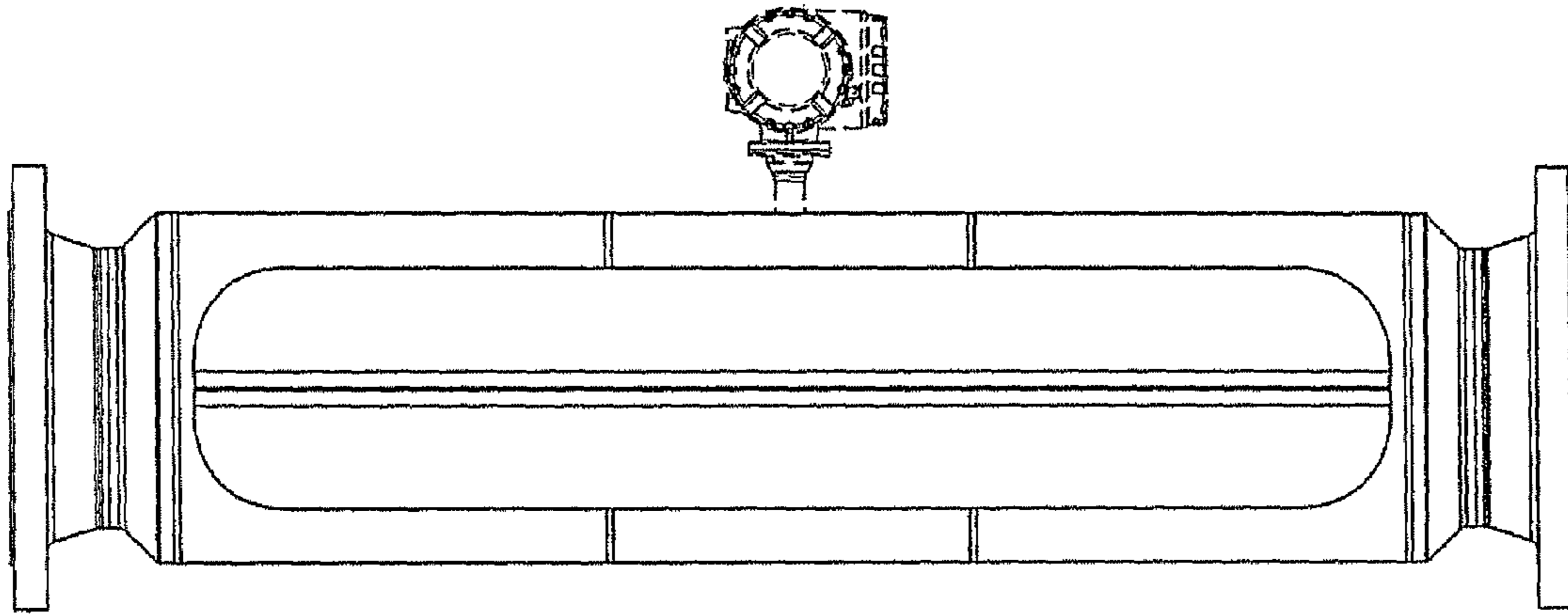


Fig. 4

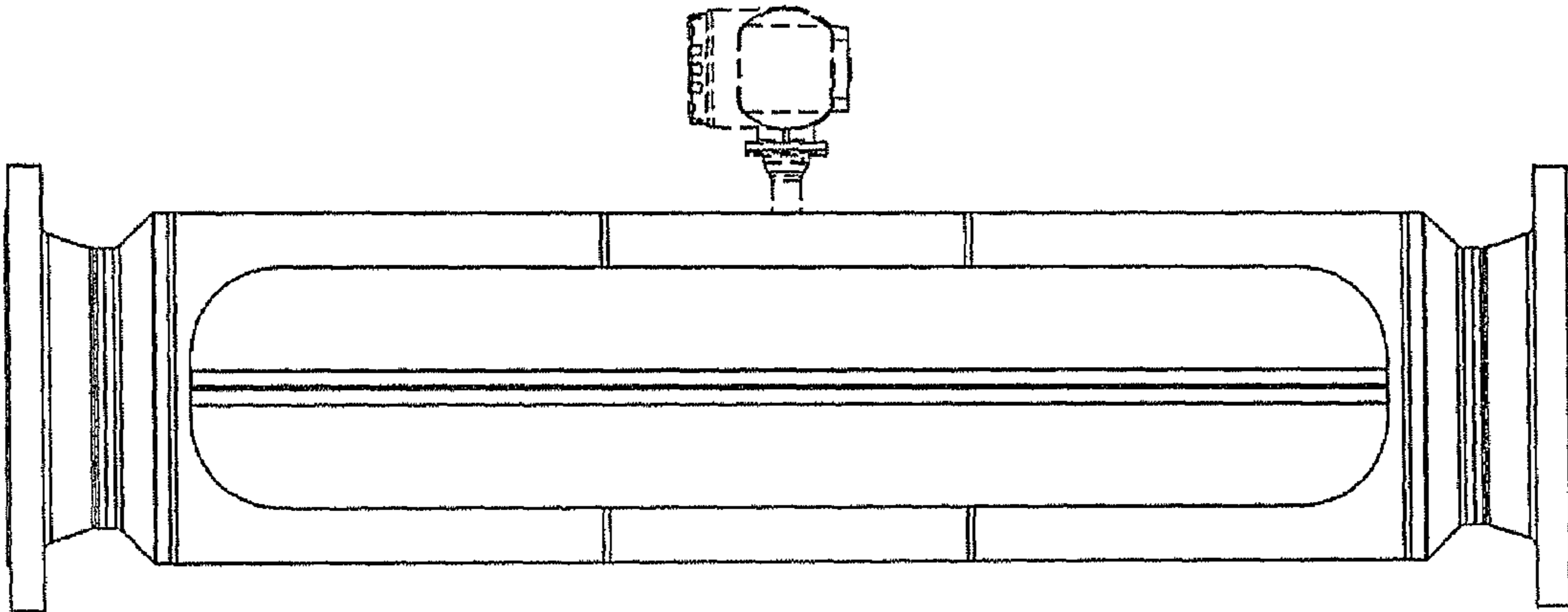


Fig. 5



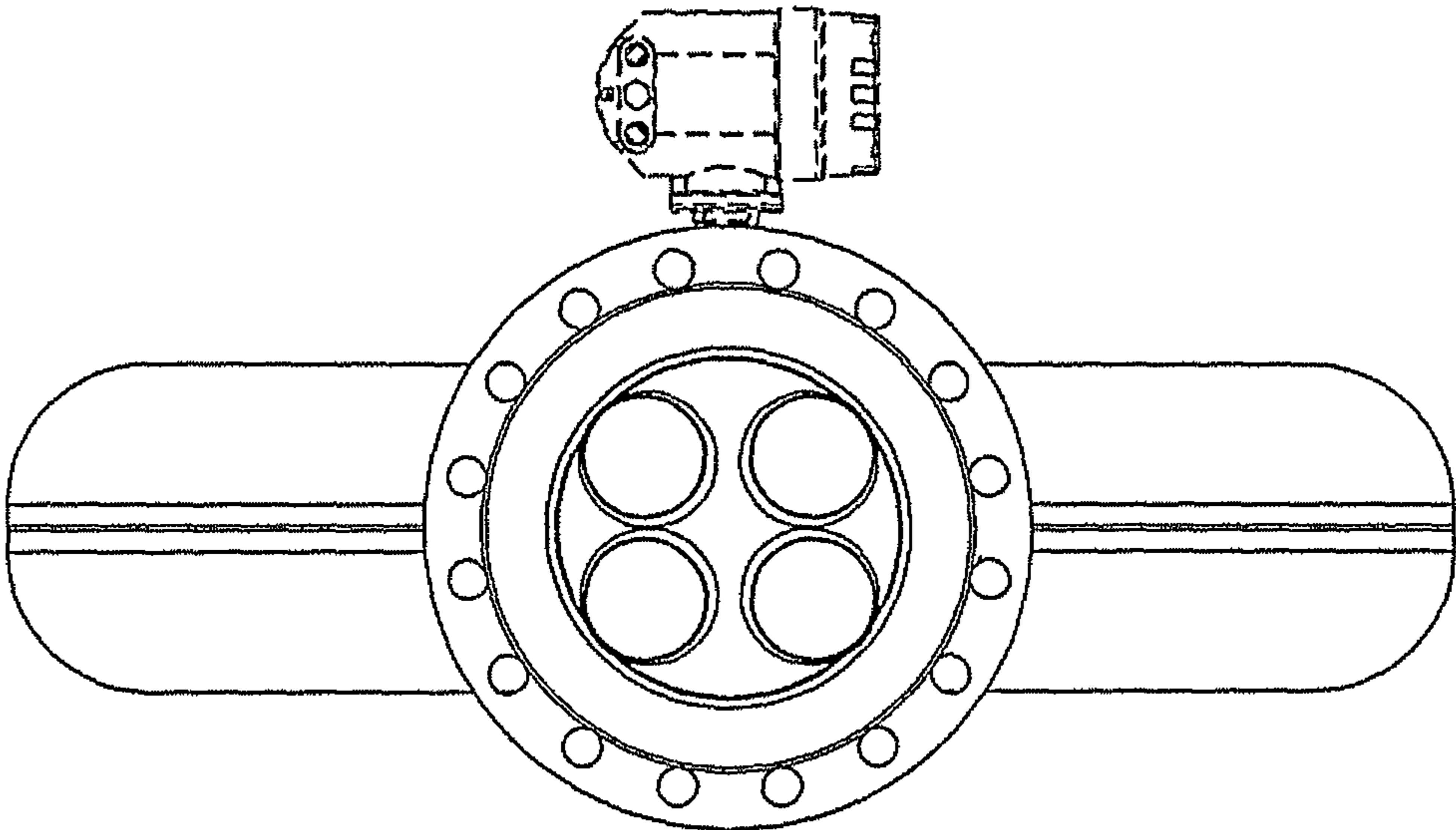


Fig. 6

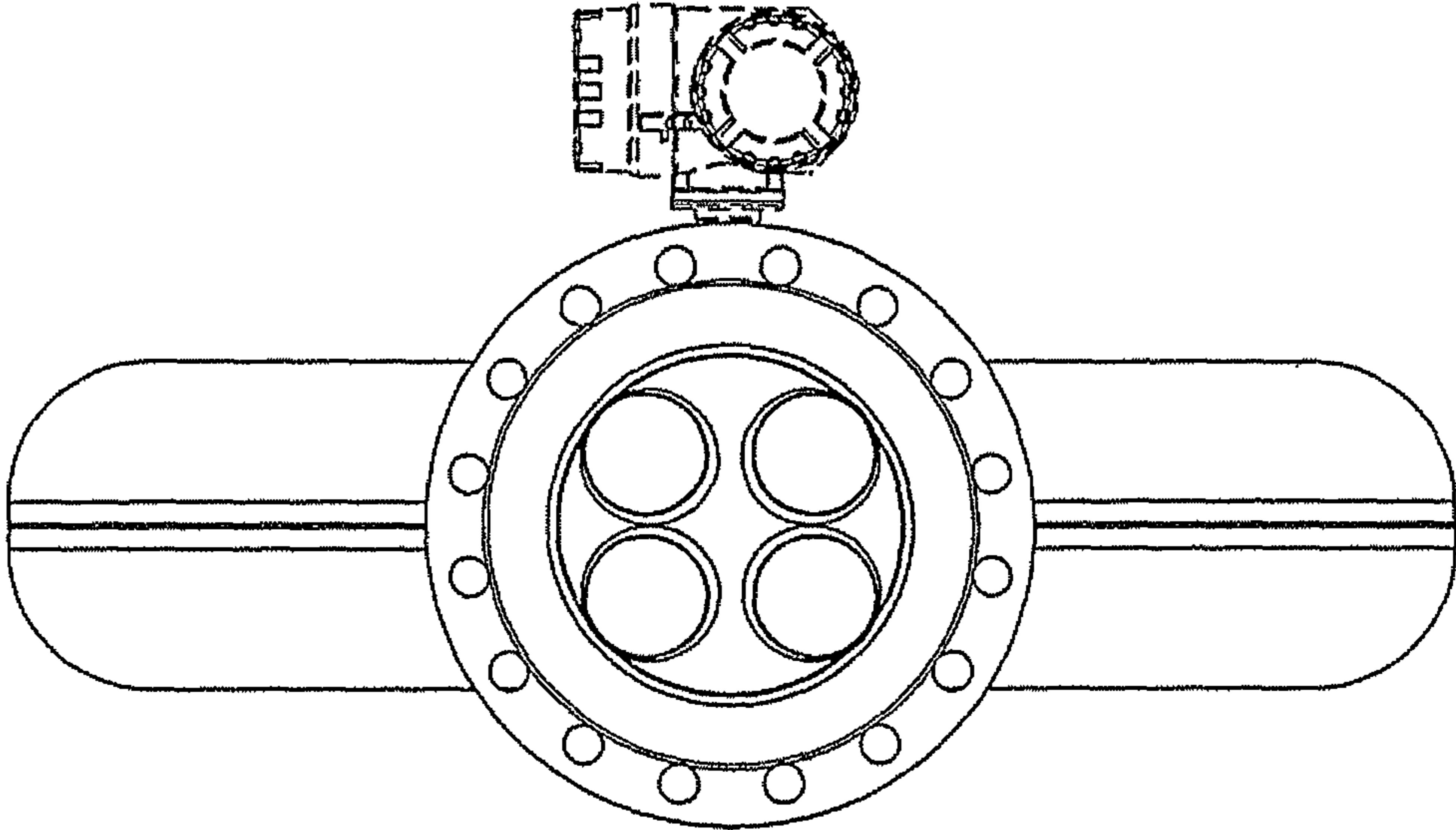


Fig. 7