



US00D691237S

(12) **United States Design Patent**
Beckett et al.

(10) **Patent No.:** **US D691,237 S**

(45) **Date of Patent:** **** Oct. 8, 2013**

(54) **OPTICAL DEVICE MOUNT**

(75) Inventors: **Patrick Beckett**, Greeley, CO (US); **Sky Leighton**, Firestone, CO (US)

(73) Assignee: **Burris Corporation**, Greeley, CO (US)

(**) Term: **14 Years**

(21) Appl. No.: **29/420,428**

(22) Filed: **May 9, 2012**

(51) **LOC (9) Cl.** **22-01**

(52) **U.S. Cl.**
USPC **D22/109**

(58) **Field of Classification Search**
USPC D22/109-110; D16/132, 130, 133,
D16/330, 134; 42/111, 133, 119, 122;
359/399, 823, 744
See application file for complete search history.

(56) **References Cited**

U.S. PATENT DOCUMENTS

2,743,526	A *	5/1956	Ivy	42/126
2,775,817	A *	1/1957	Schuman	42/125
2,887,668	A *	5/1959	Sherno	439/757
D209,049	S *	10/1967	Holden	D22/110
D232,633	S *	9/1974	Weast	D22/109
3,875,675	A *	4/1975	Krisay	42/127
D259,944	S	7/1981	Burris	
4,367,606	A	1/1983	Bechtel	
4,501,071	A	2/1985	Manske	
4,835,895	A *	6/1989	Bowen	42/127
D317,344	S	6/1991	Klumpp	
5,033,219	A	7/1991	Johnson et al.	
D346,198	S *	4/1994	Herringshaw	D22/110
D383,826	S	9/1997	Weigand	

(Continued)

OTHER PUBLICATIONS

Burris Company, 2010 Catalog, Copyright 2009, Burns Company, Greeley, CO., see pp. 43-45.

Primary Examiner — Michael A Pratt

(74) *Attorney, Agent, or Firm* — Merchant & Gould P.C.

(57) **CLAIM**

The ornamental design for an optical device mount, as shown.

DESCRIPTION

FIG. 1 is a perspective view of an optical device mount showing our new design having a scope-holding element in a first position.

FIG. 2 is a front elevation view of the optical device mount of FIG. 1.

FIG. 3 is a rear elevation view of the optical device mount of FIG. 1.

FIG. 4 is a right elevation view of the optical device mount of FIG. 1.

FIG. 5 is a left elevation view of the optical device mount of FIG. 1.

FIG. 6 is a top plan view of the optical device mount of FIG. 1.

FIG. 7 is a bottom plan view of the optical device mount of FIG. 1.

FIG. 8 is a perspective view of the optical device mount of FIG. 1 with the scope-holding element in a second position.

FIG. 9 is a front elevation view of the optical device mount of FIG. 8.

FIG. 10 is a rear elevation view of the optical device mount of FIG. 8.

FIG. 11 is a right elevation view of the optical device mount of FIG. 8.

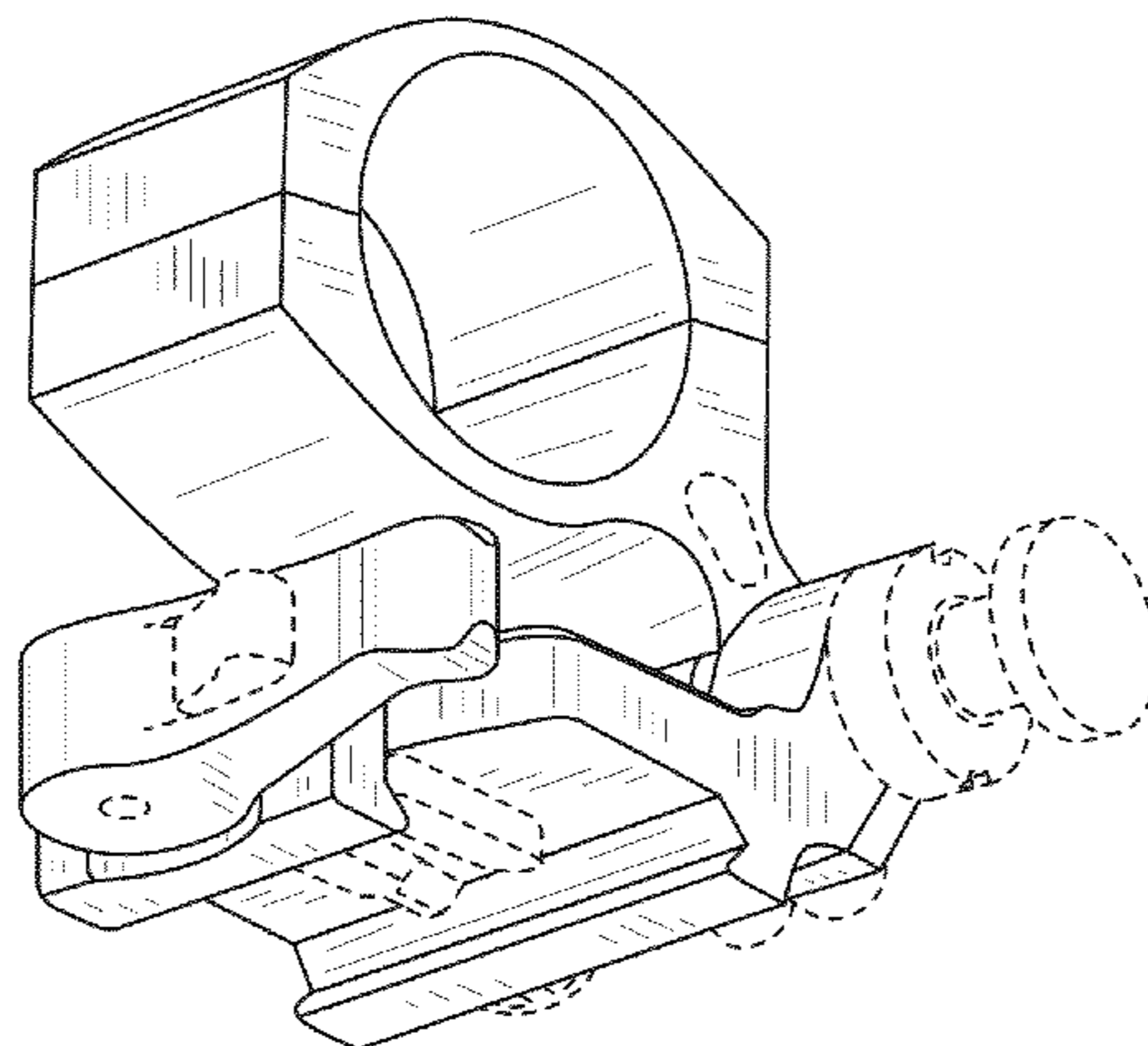
FIG. 12 is a left elevation view of the optical device mount of FIG. 8.

FIG. 13 is a top plan view of the optical device mount of FIG. 8; and,

FIG. 14 is a bottom plan view of the optical device mount of FIG. 8.

The broken lines depict portions of the optical device mount that form no part of the claimed design.

1 Claim, 8 Drawing Sheets



(56)

References Cited

U.S. PATENT DOCUMENTS

D391,335	S *	2/1998	Bechtel	D22/110
D403,393	S *	12/1998	Weast	D22/110
6,874,269	B2	4/2005	Chen et al.		
D508,726	S *	8/2005	Storch	D22/108
7,140,143	B1 *	11/2006	Ivey	42/125
D554,730	S	11/2007	Coggins		
7,543,405	B1 *	6/2009	Ivey	42/125
D600,312	S	9/2009	Swan		
D632,753	S	2/2011	Leighton et al.		
D672,839	S *	12/2012	Ding	D22/109
2004/0148842	A1	8/2004	Aalto et al.		
2008/0034638	A1	2/2008	Spuhr		
2010/0162611	A1 *	7/2010	Samson et al.	42/125
2011/0247255	A1 *	10/2011	Ding et al.	42/90
2012/0291331	A1 *	11/2012	Troy et al.	42/124

* cited by examiner

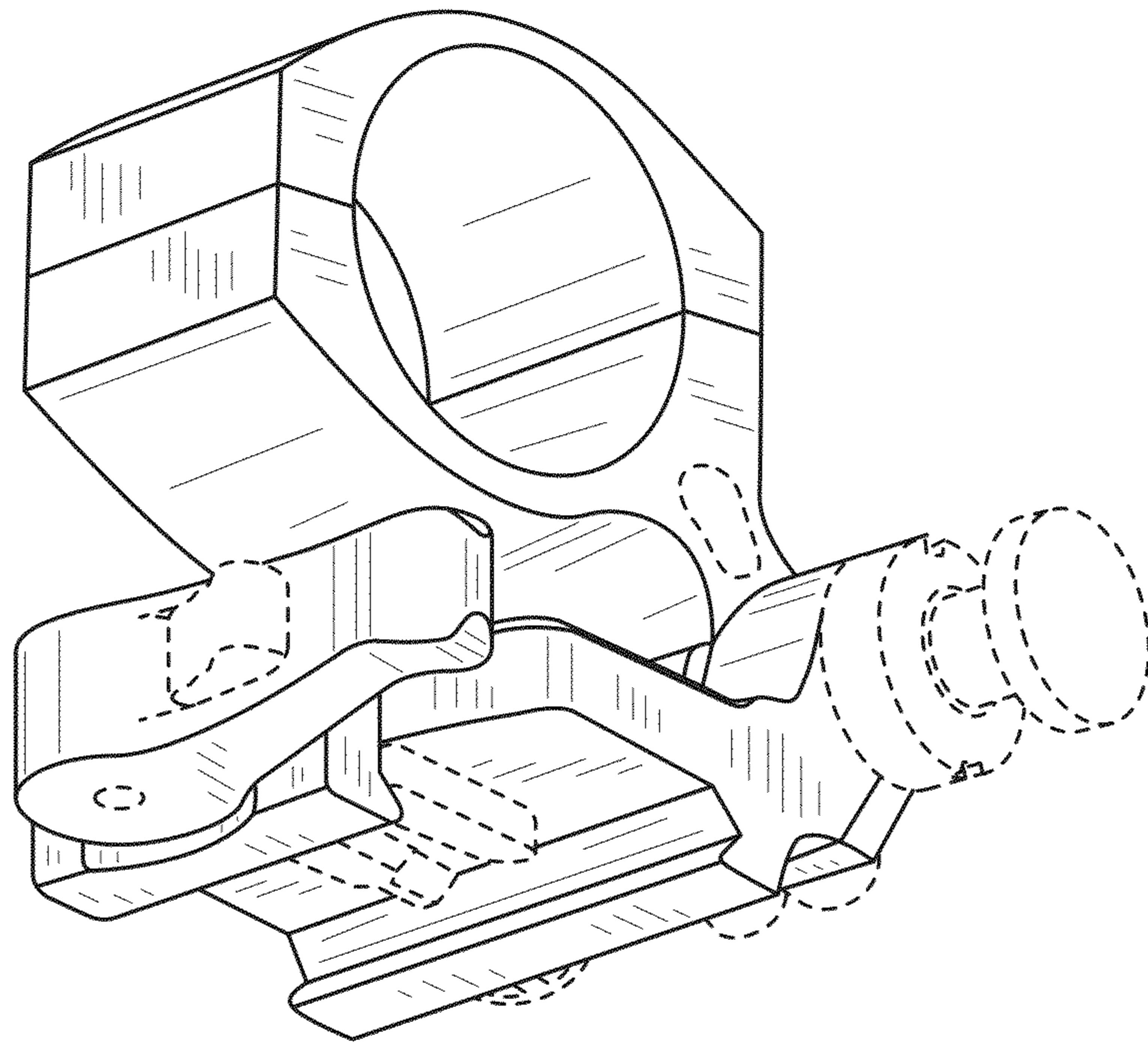


FIG.1

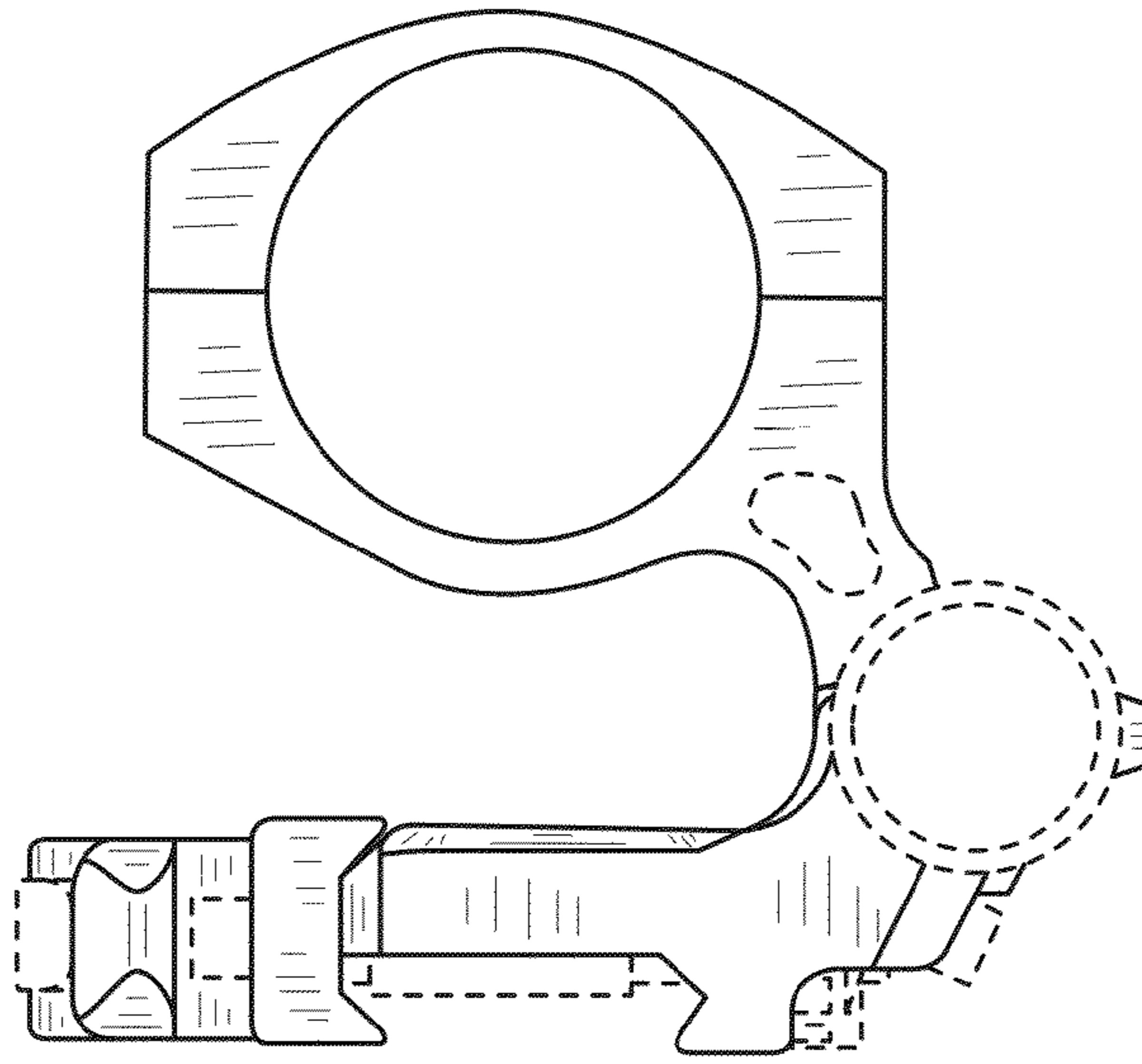


FIG. 2

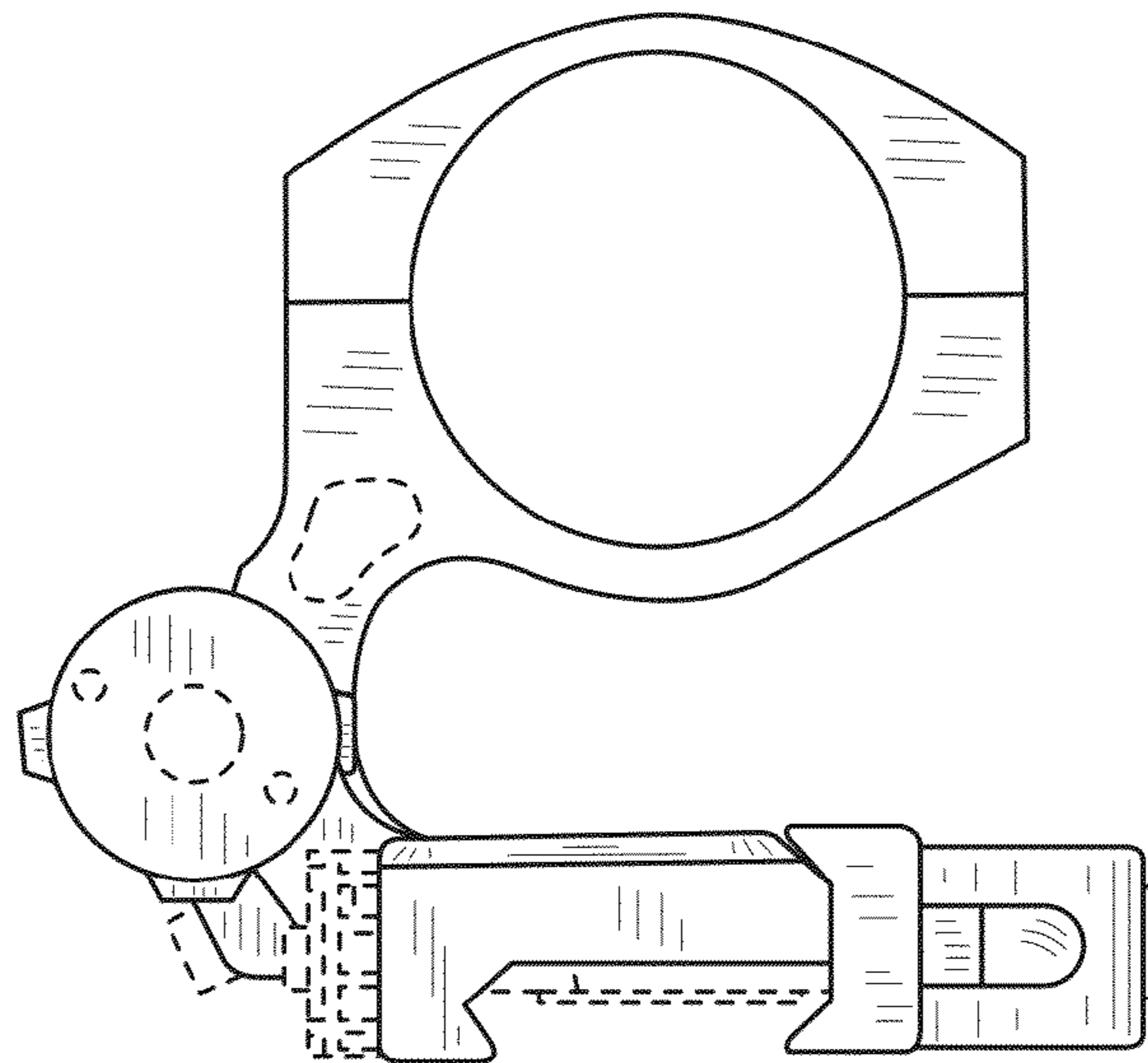


FIG. 3

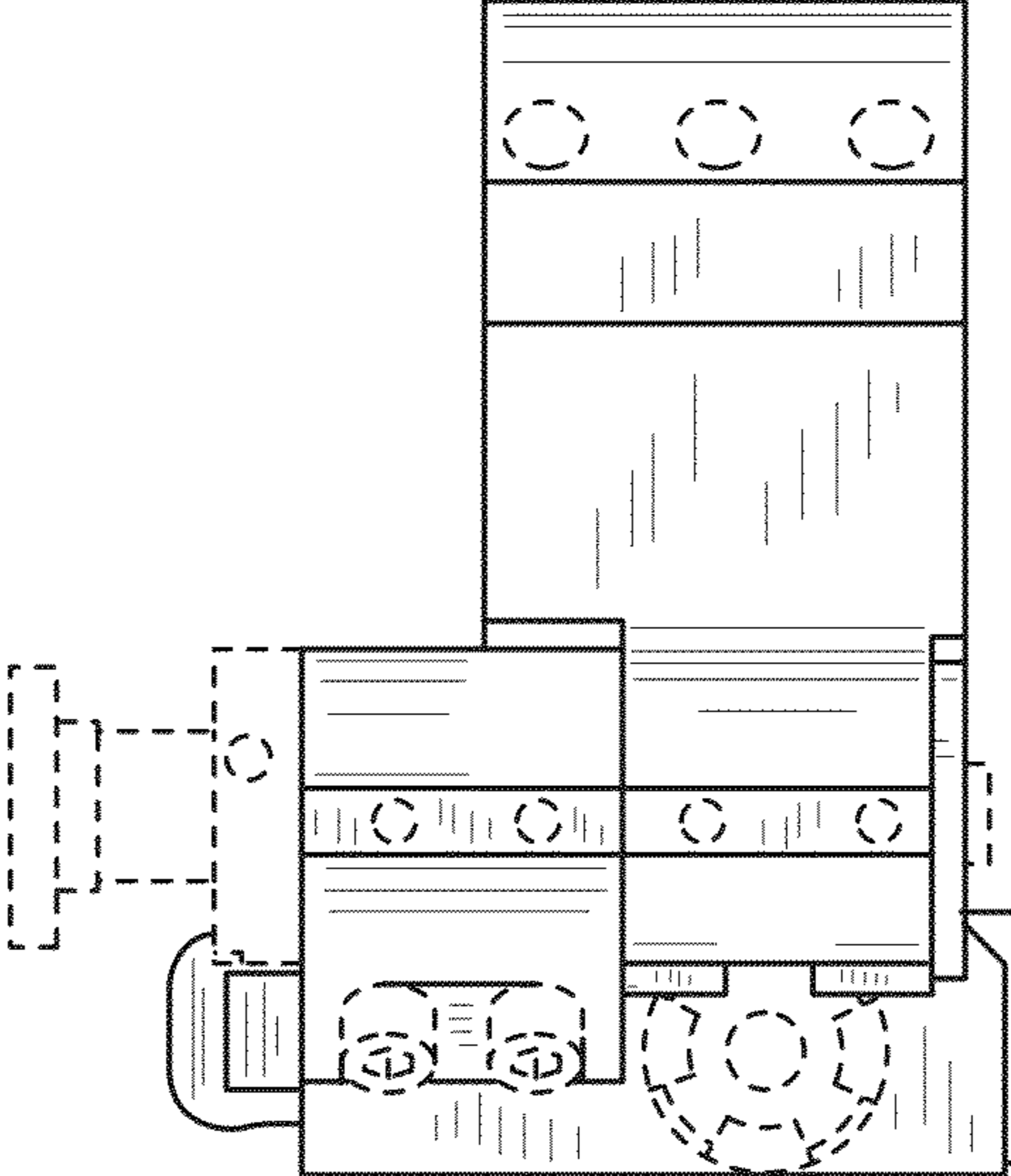


FIG. 4

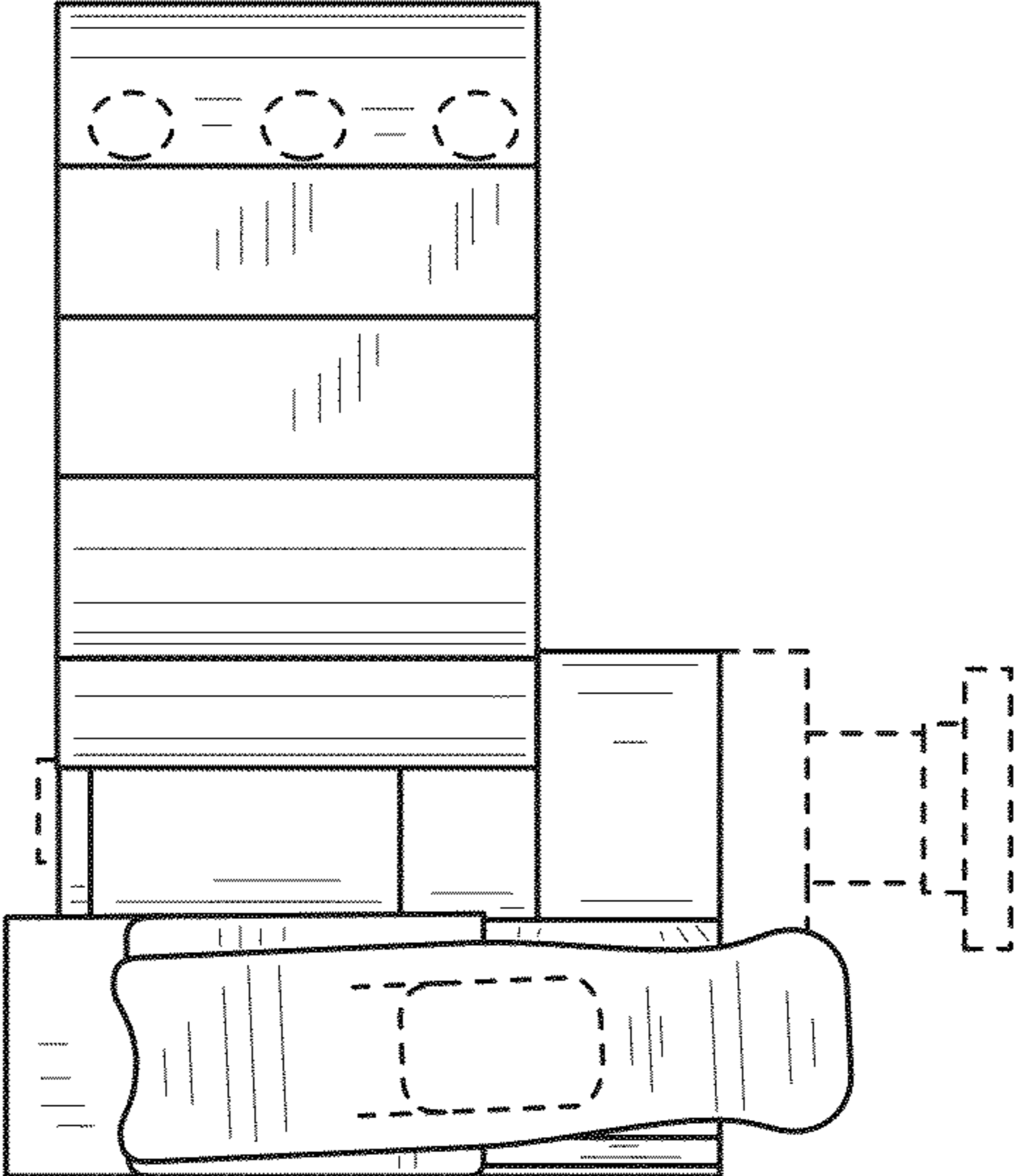


FIG. 5

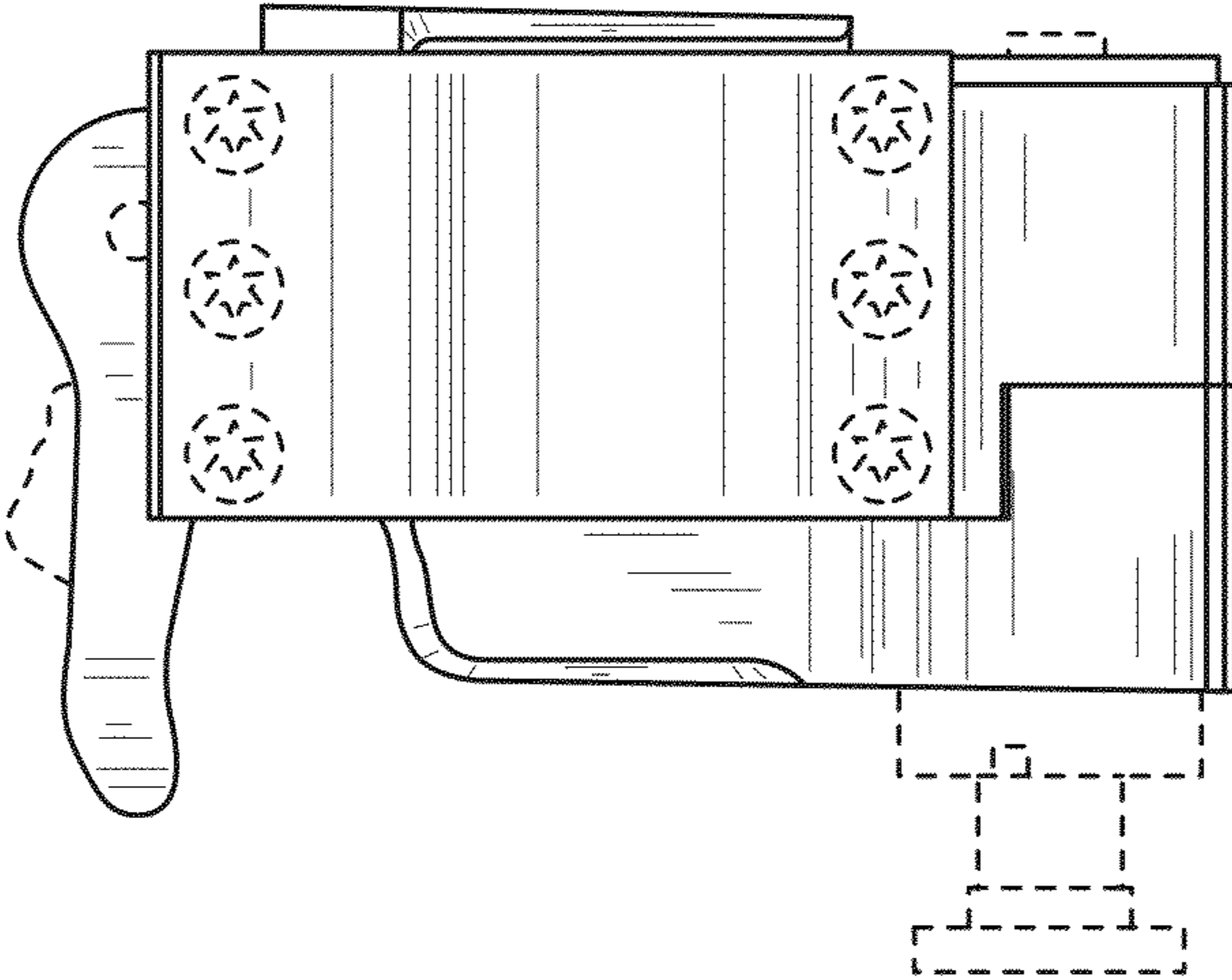


FIG.6

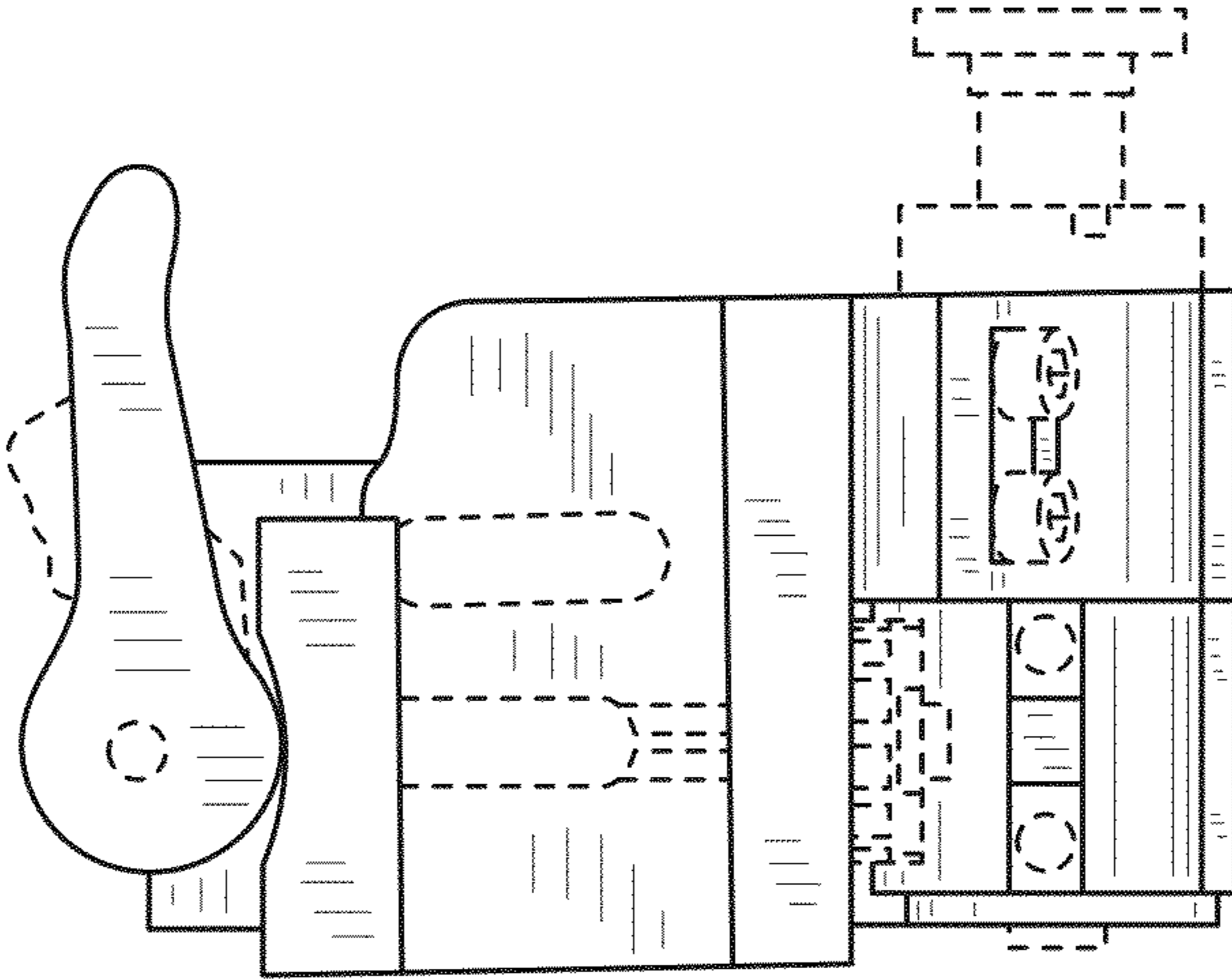


FIG.7

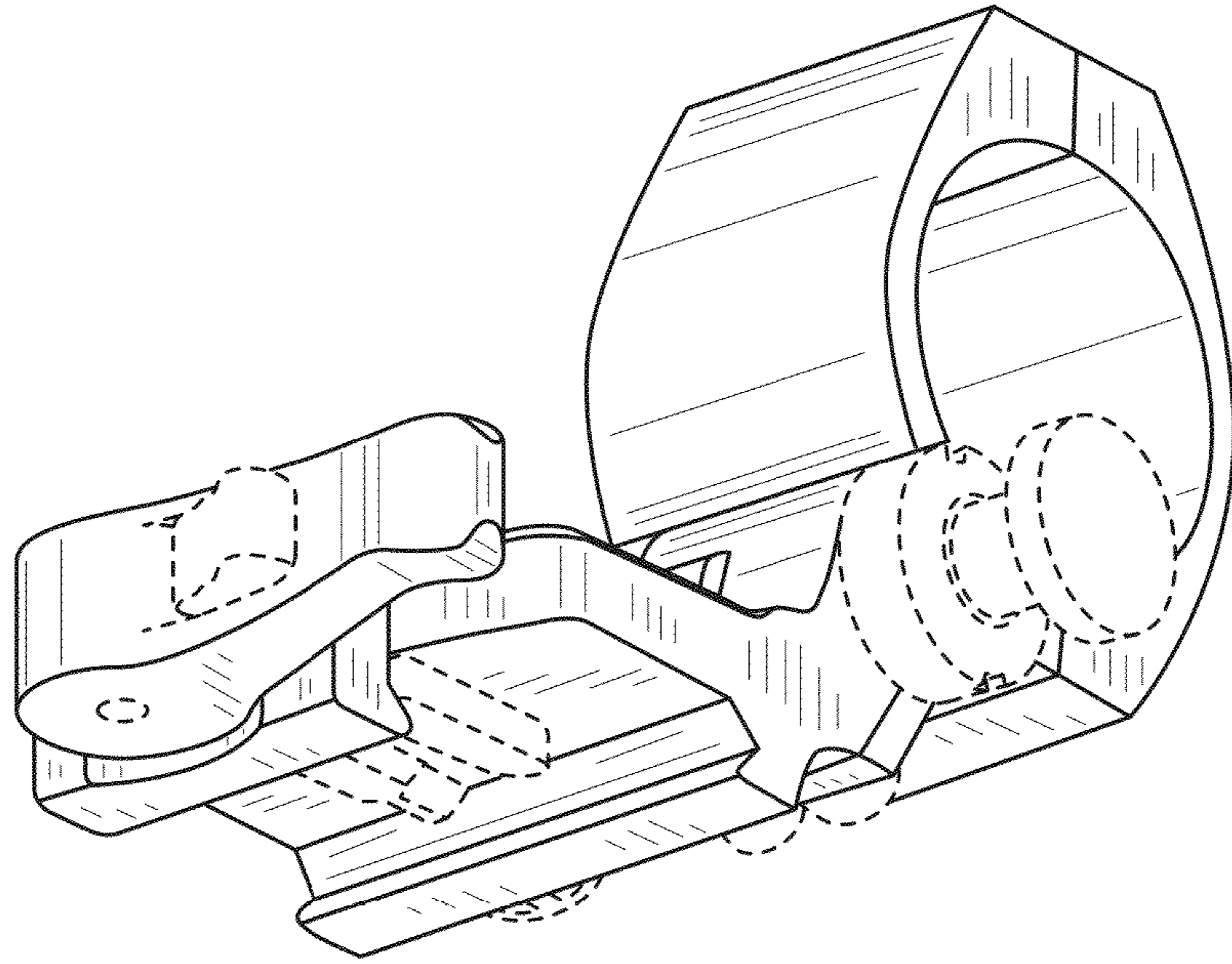


FIG.8

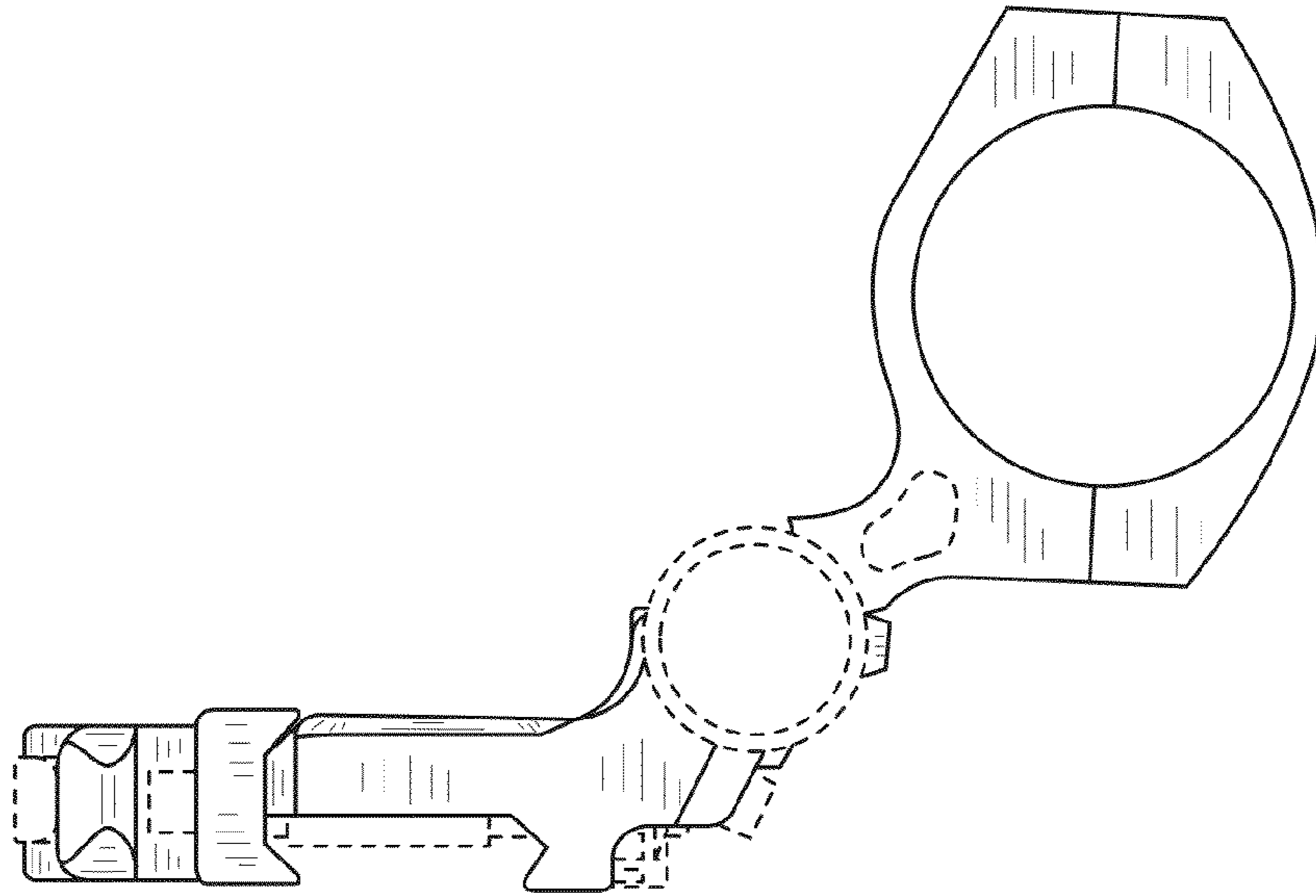


FIG. 9

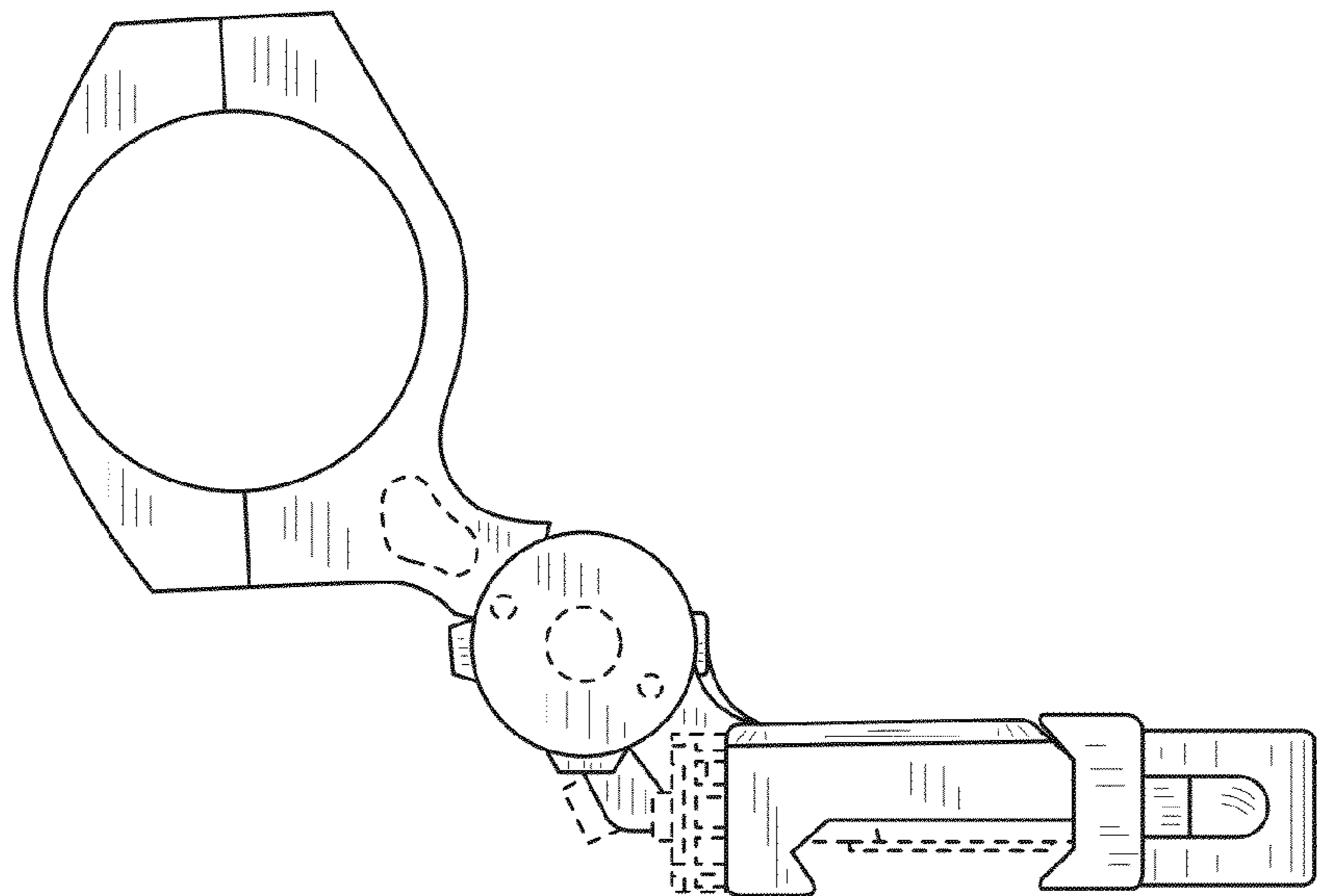


FIG. 10

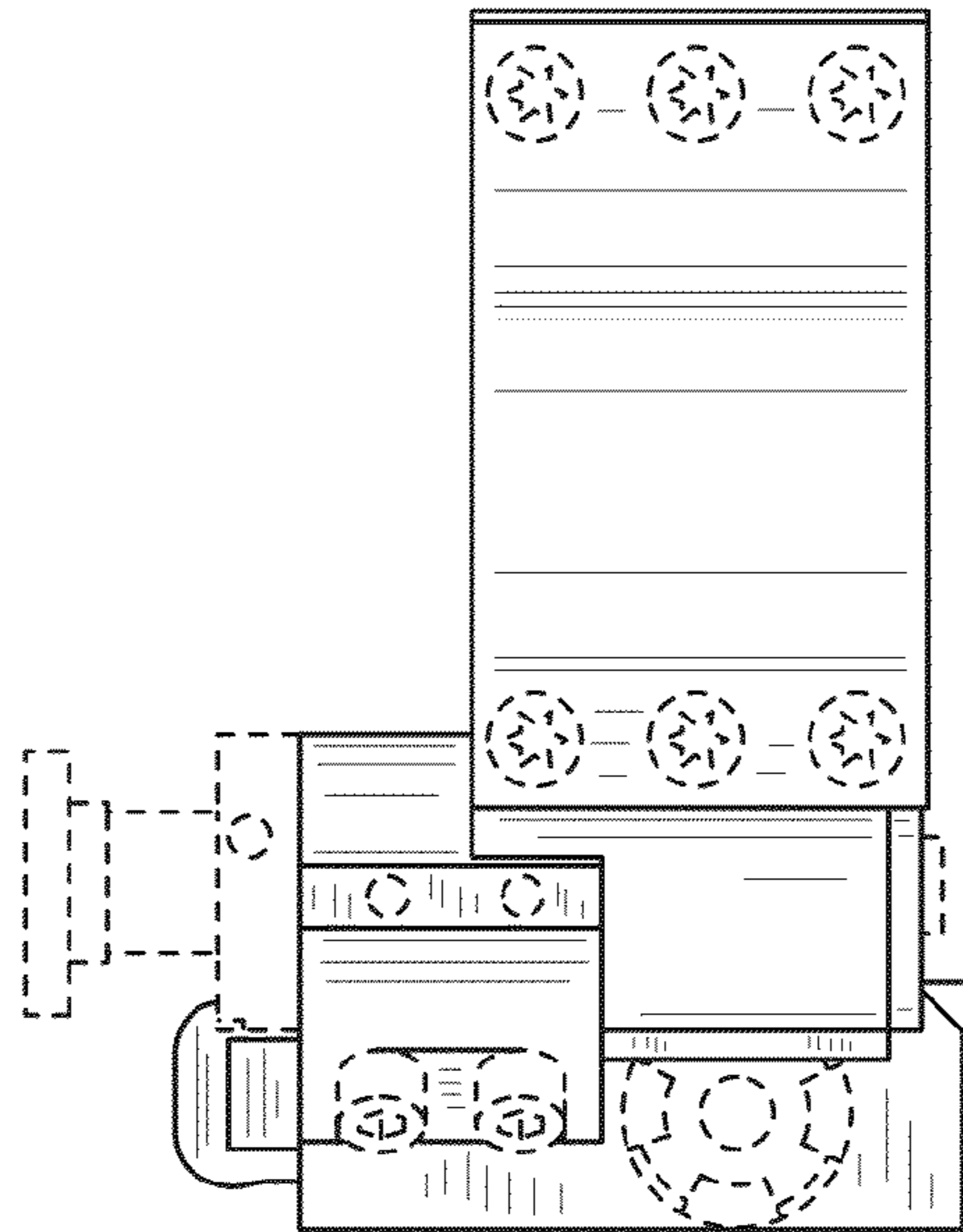


FIG. 11

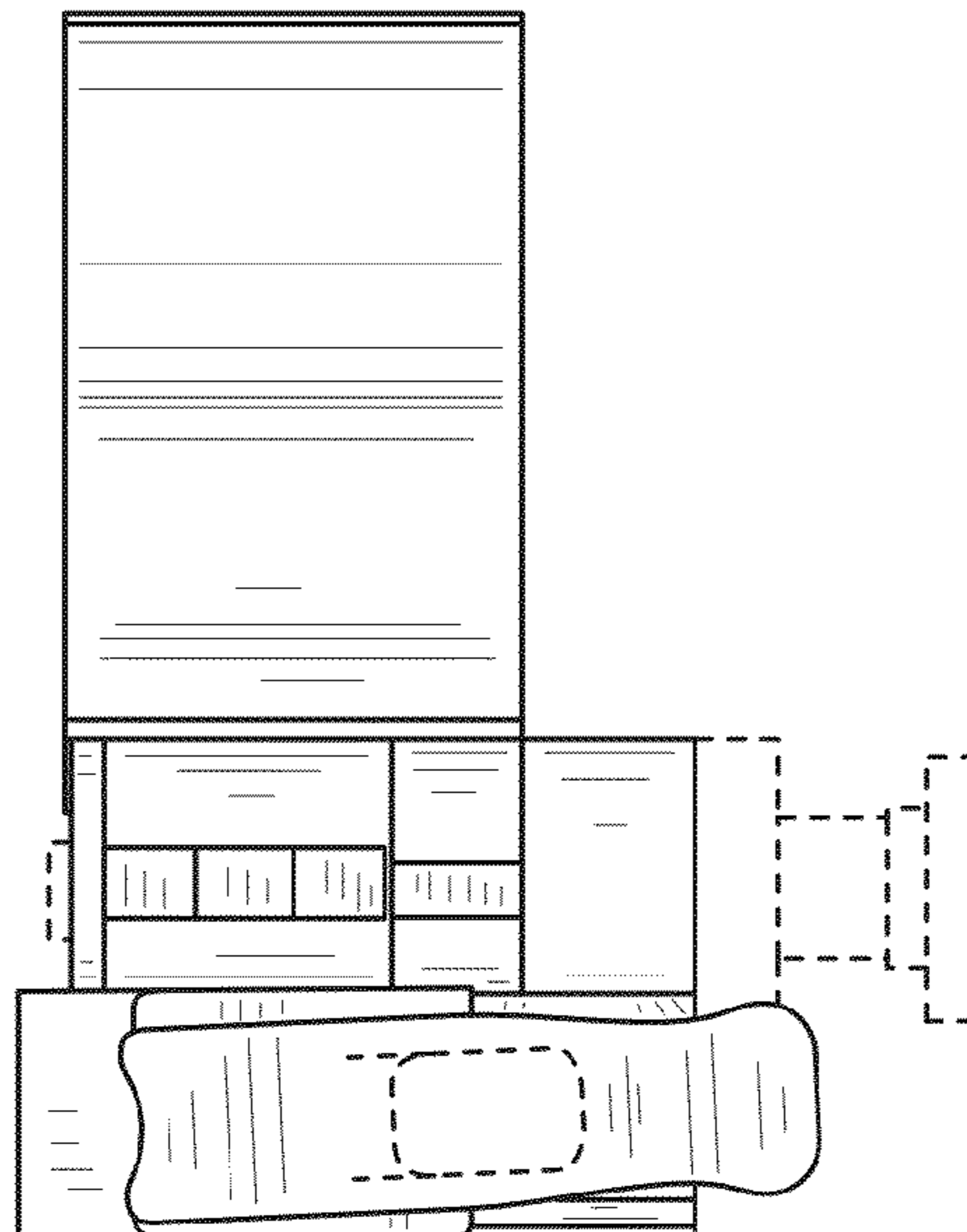


FIG. 12

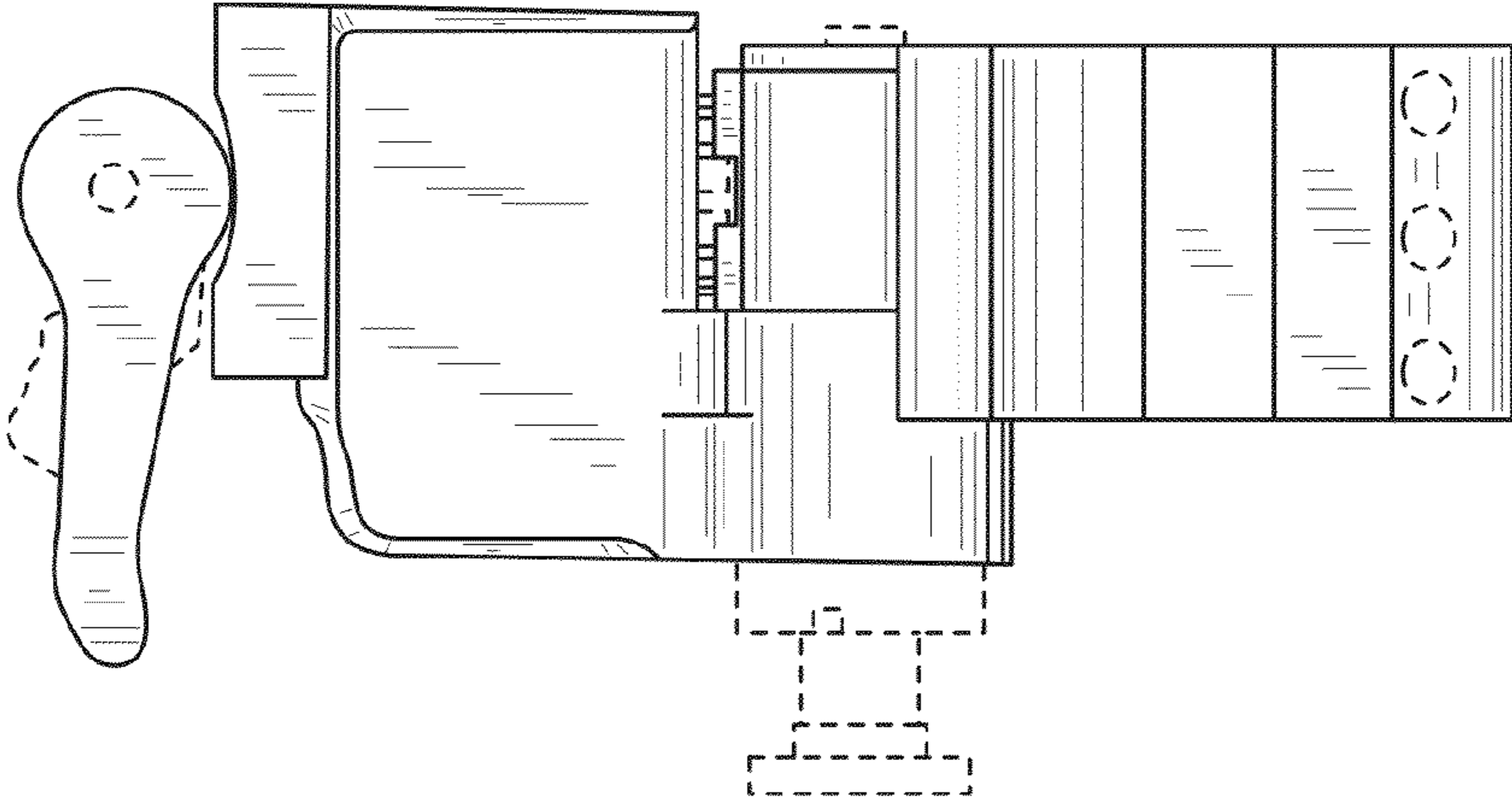


FIG.13

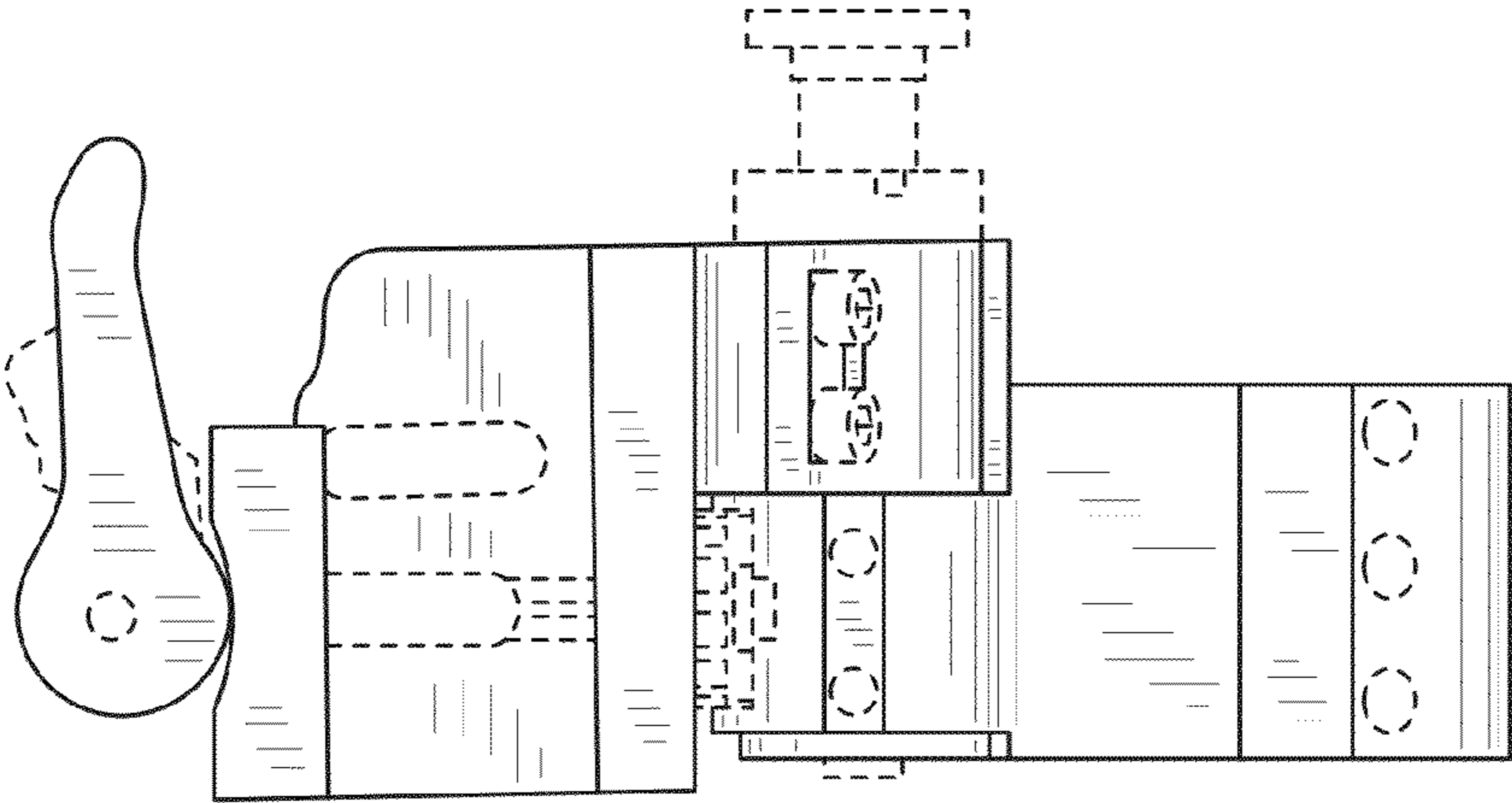


FIG.14