



US00D691236S

(12) **United States Design Patent**
Fitzpatrick et al.

(10) **Patent No.:** **US D691,236 S**

(45) **Date of Patent:** **** Oct. 8, 2013**

(54) **RAIL FINGER STOP WITH THICK BASE**

2011/0107643 A1* 5/2011 Fitzpatrick et al. 42/72

(75) Inventors: **Richard Fitzpatrick**, Longmont, CO (US); **Michael T. Mayberry**, Denver, CO (US); **Jeremy Kerbs**, Westminster, CO (US); **Drake Clark**, Erie, CO (US); **Nicholas James Booras**, Arvada, CO (US)

* cited by examiner

Primary Examiner — Michael A Pratt

(74) *Attorney, Agent, or Firm* — Swanson & Bratschun, L.L.C.

(73) Assignee: **Magpul Industries Corporation**, Erie, CO (US)

(57) **CLAIM**

The ornamental design for a rail finger stop with thick base, as shown and described.

(**) Term: **14 Years**

DESCRIPTION

(21) Appl. No.: **29/424,974**

(22) Filed: **Jun. 18, 2012**
(Under 37 CFR 1.47)

(51) **LOC (9) Cl.** **22-01**

(52) **U.S. Cl.**
USPC **D22/108**

(58) **Field of Classification Search**
USPC D22/100, 108–110, 199; 248/201, 248/205.1; 89/37.03–37.04, 41.17; 42/90, 42/85, 106, 113–114, 124–128
See application file for complete search history.

FIG. 1 is a left, rear, bottom perspective view of a rail finger stop with thick base attached to a firearm showing our new design;

FIG. 2 is a left, rear, bottom perspective view of the rail finger stop with thick base of FIG. 1 with the firearm omitted;

FIG. 3 is a right, front, top perspective view of the rail finger stop with thick base of FIG. 1 with the firearm omitted;

FIG. 4 is a front elevation view of the rail finger stop with thick base of FIG. 1;

FIG. 5 is a rear elevation view of the rail finger stop with thick base of FIG. 1;

FIG. 6 is a bottom plan view of the rail finger stop with thick base of FIG. 1;

FIG. 7 is a top plan view of the rail finger stop with thick base of FIG. 1;

FIG. 8 is a right side elevation view of the rail finger stop with thick base of FIG. 1; and,

FIG. 9 is a left side elevation view of the rail finger stop with thick base of FIG. 1.

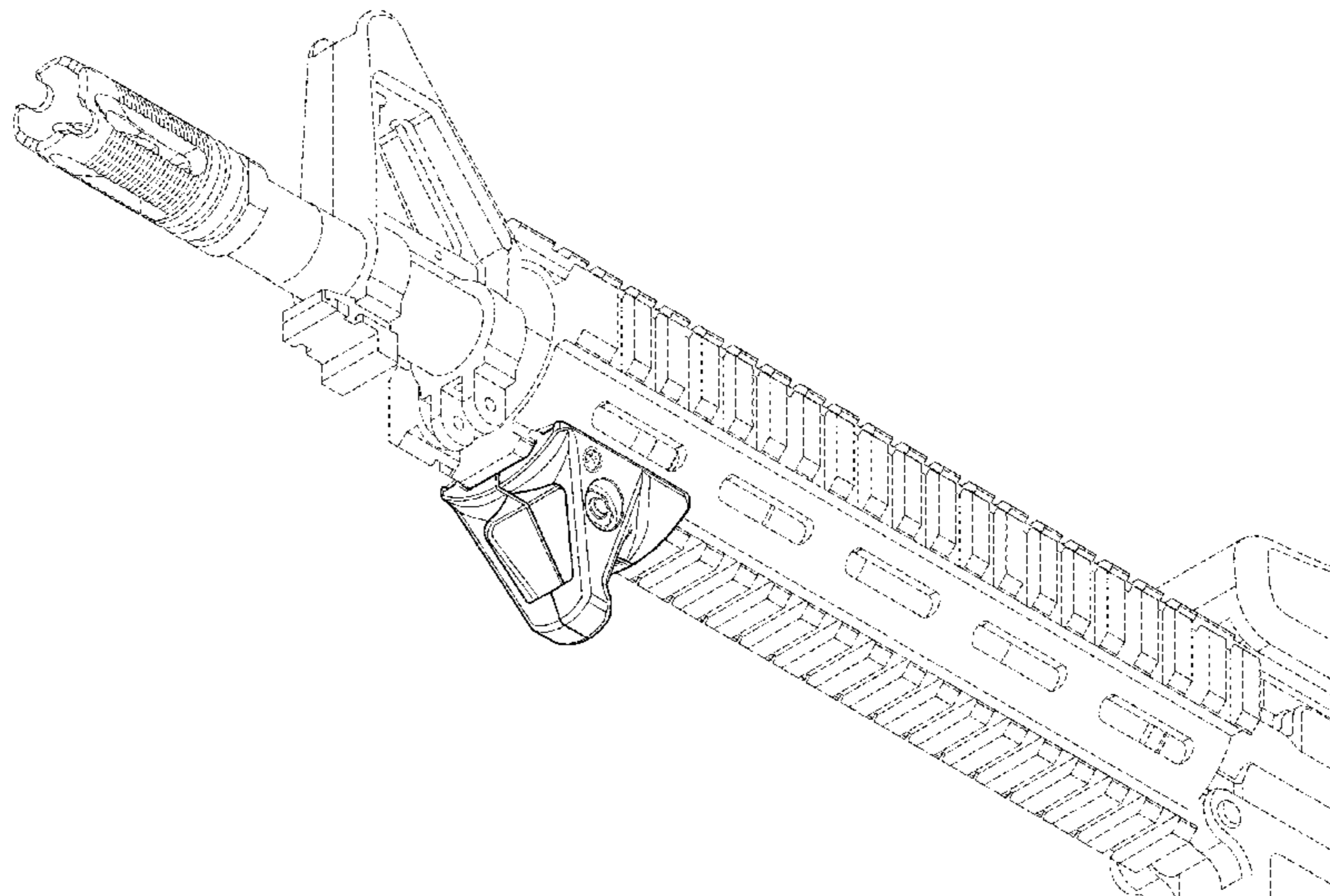
The broken lines showing portions of the design in all figures is included for the purpose of illustrating environment and unclaimed features and forms not part of the claimed design.

(56) **References Cited**

U.S. PATENT DOCUMENTS

2,933,843	A	4/1960	McFeeter	
3,332,162	A	7/1967	Martwick	
6,671,991	B1	1/2004	Danielson	
7,823,316	B2	11/2010	Storch	
D636,836	S	4/2011	Fitzpatrick	
D638,007	S	5/2011	Chang	
D638,830	S	5/2011	Magness	
7,971,383	B2*	7/2011	Fitzpatrick et al.	42/96
D668,731	S*	10/2012	Fitzpatrick et al.	D22/108

1 Claim, 6 Drawing Sheets



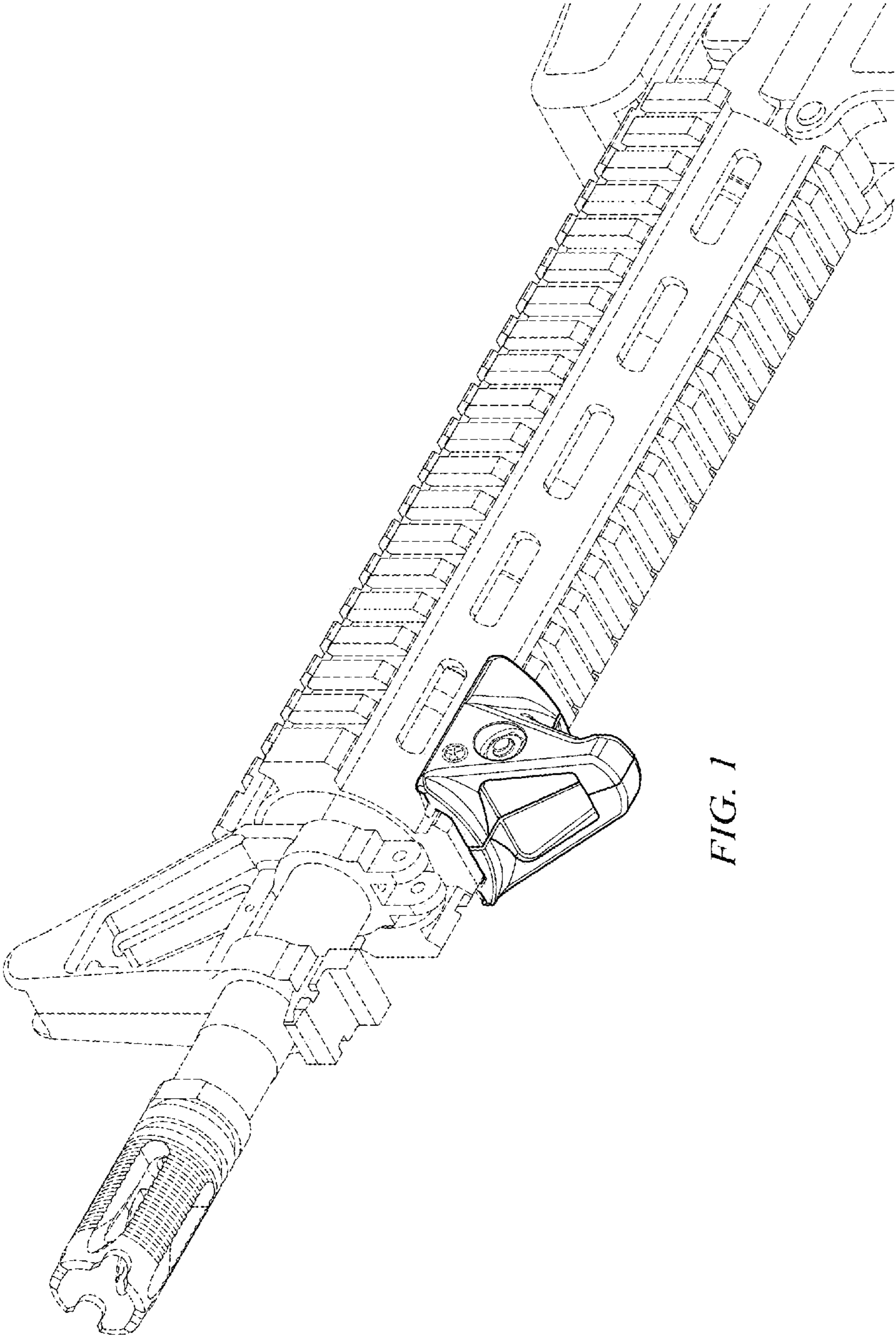


FIG. 1

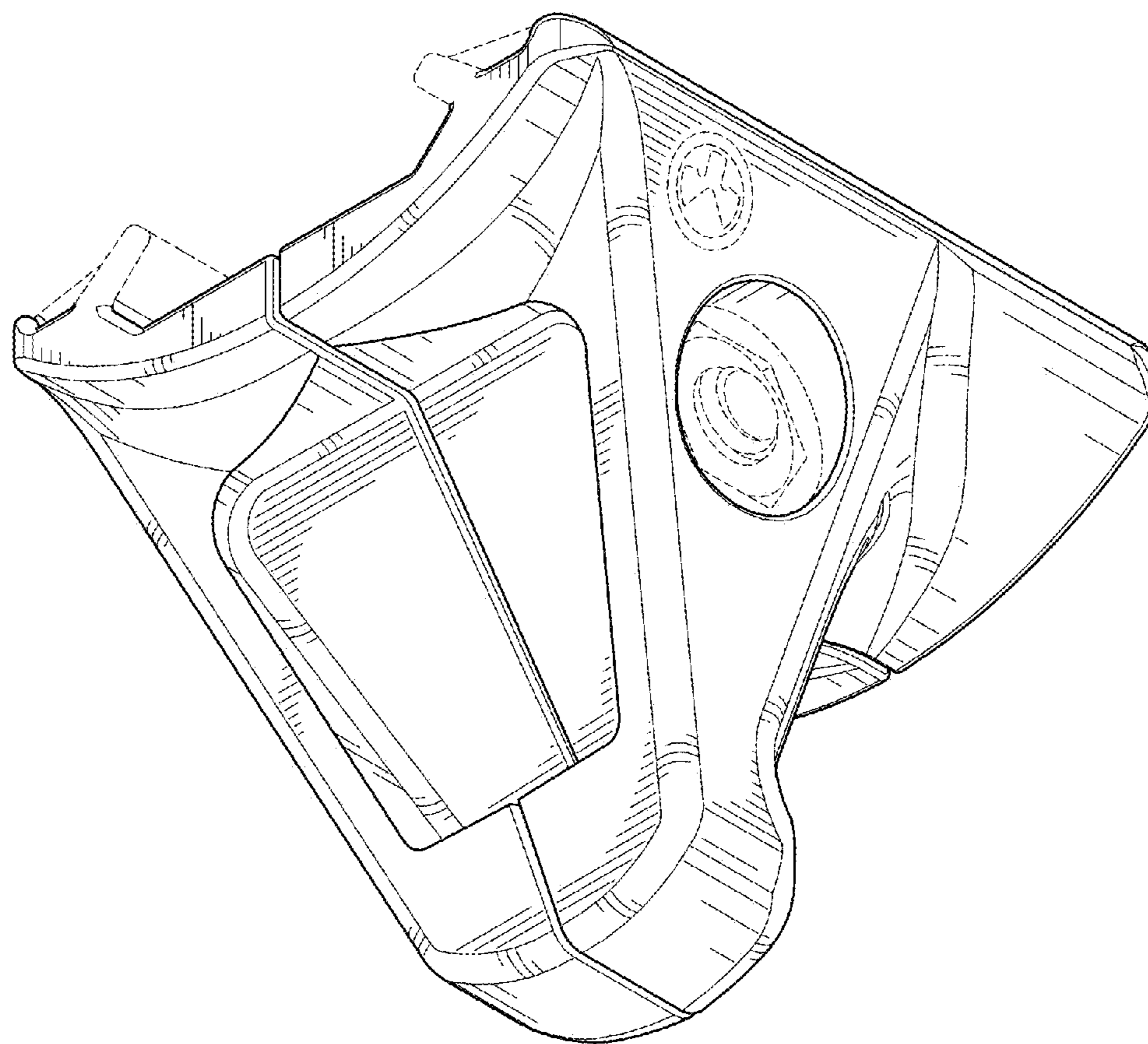


FIG. 2

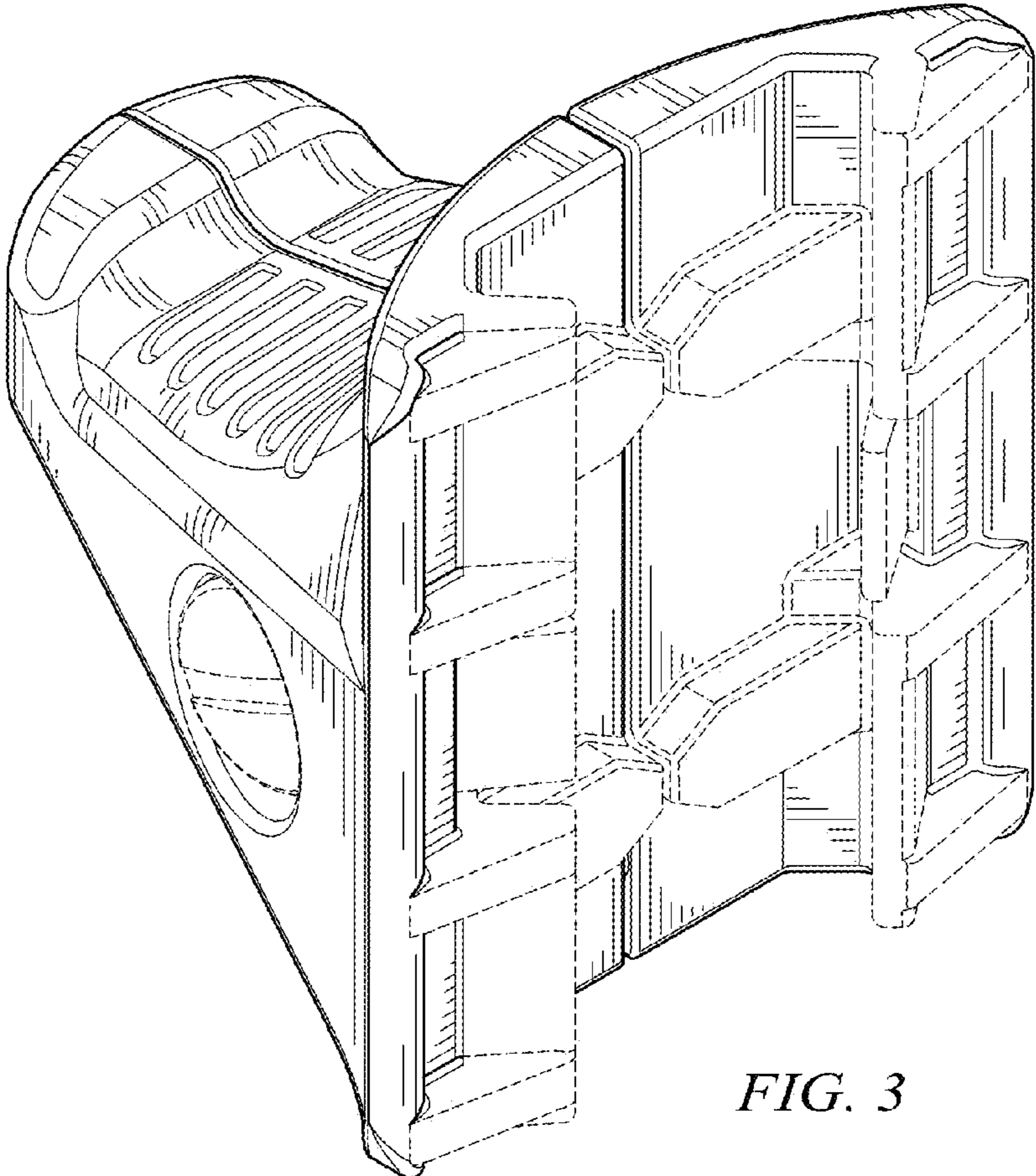
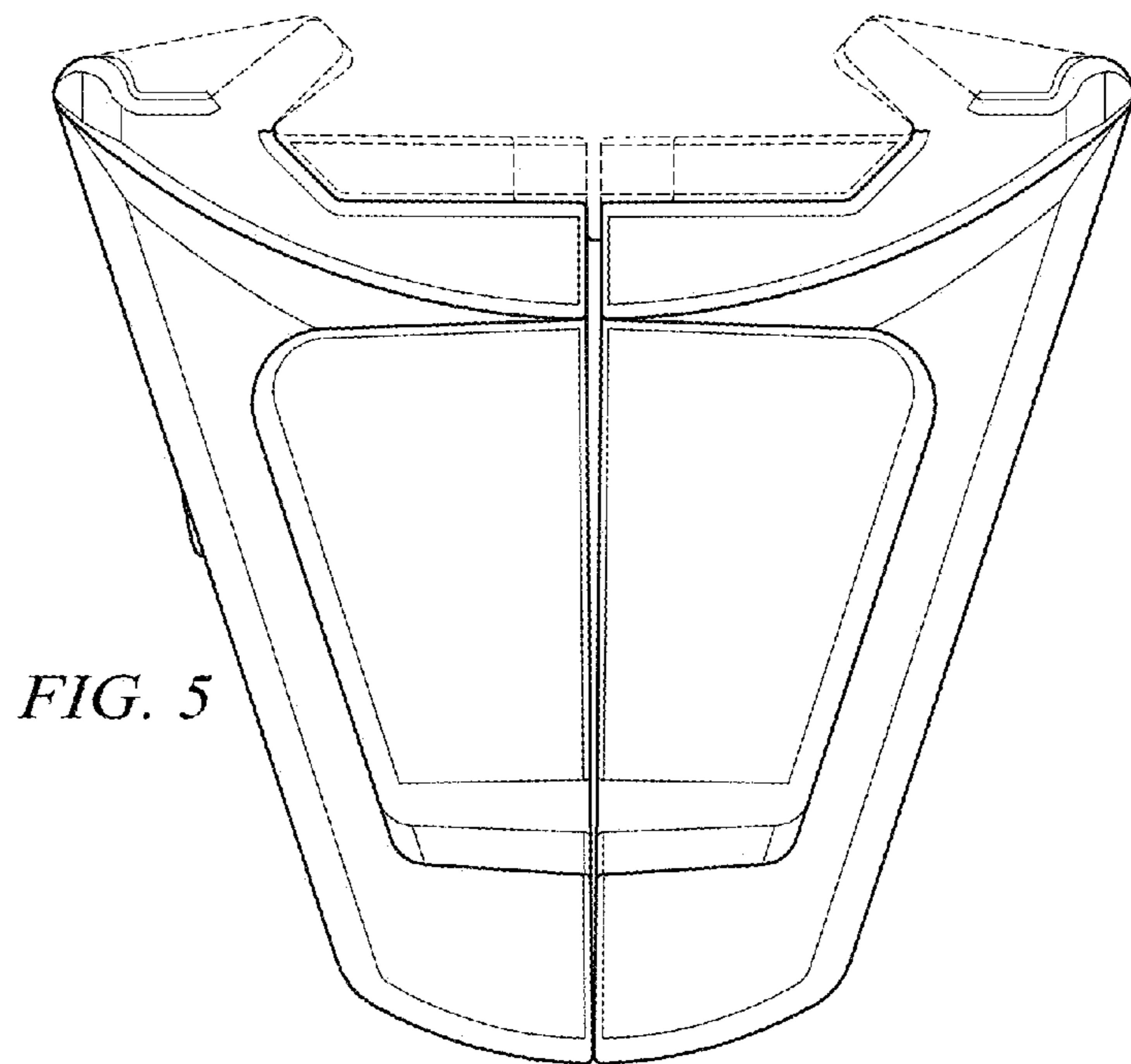
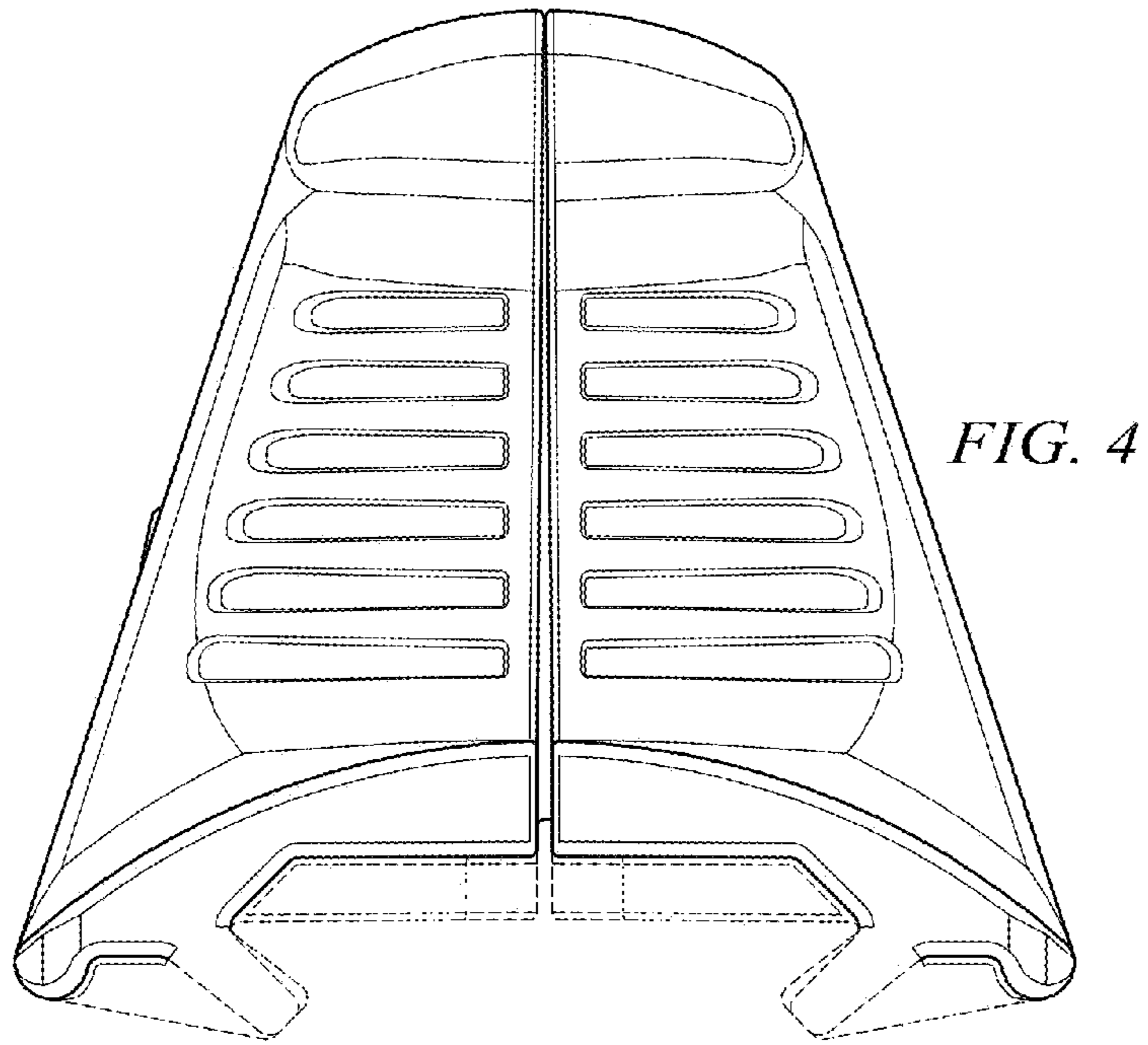


FIG. 3



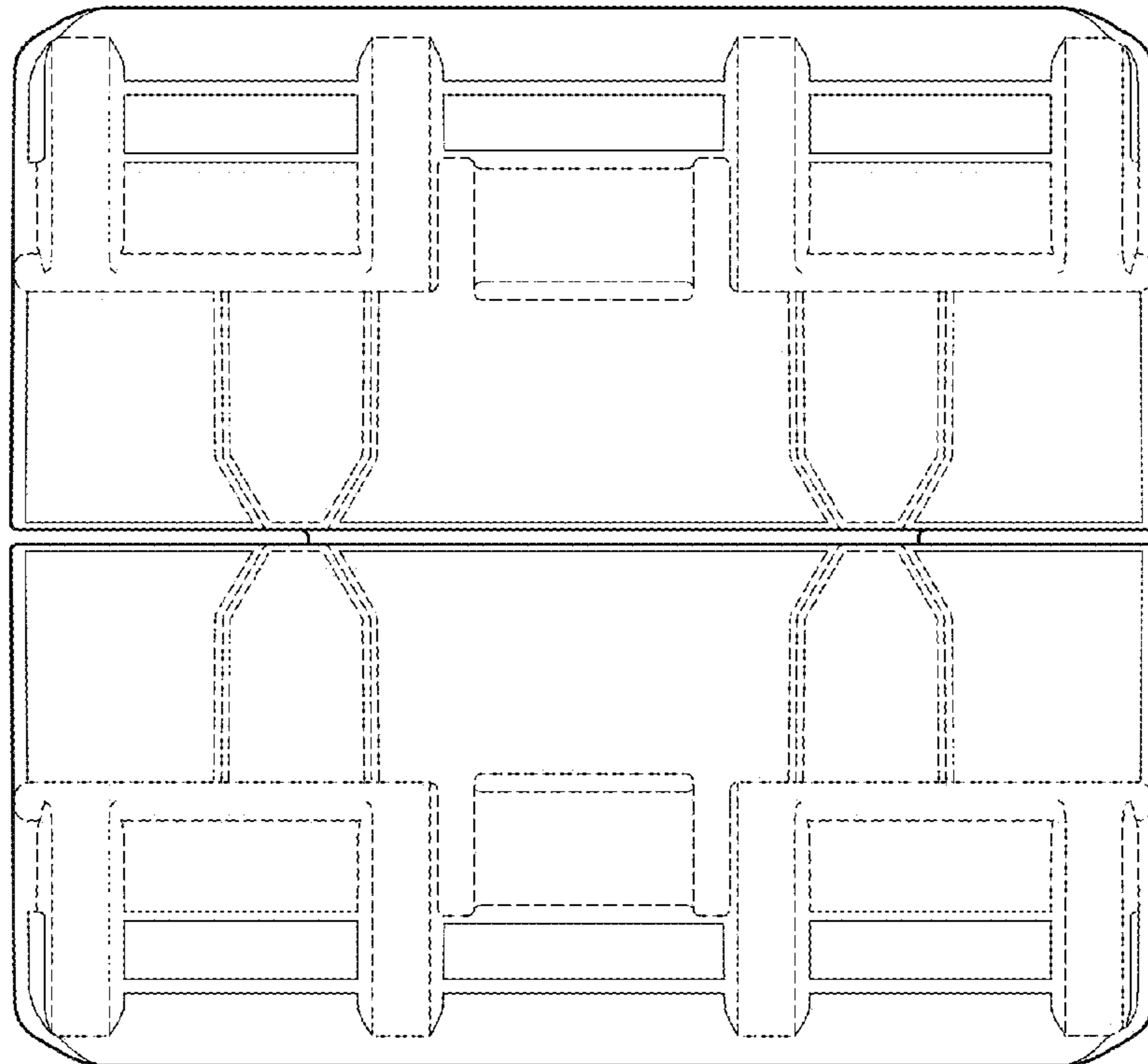


FIG. 7

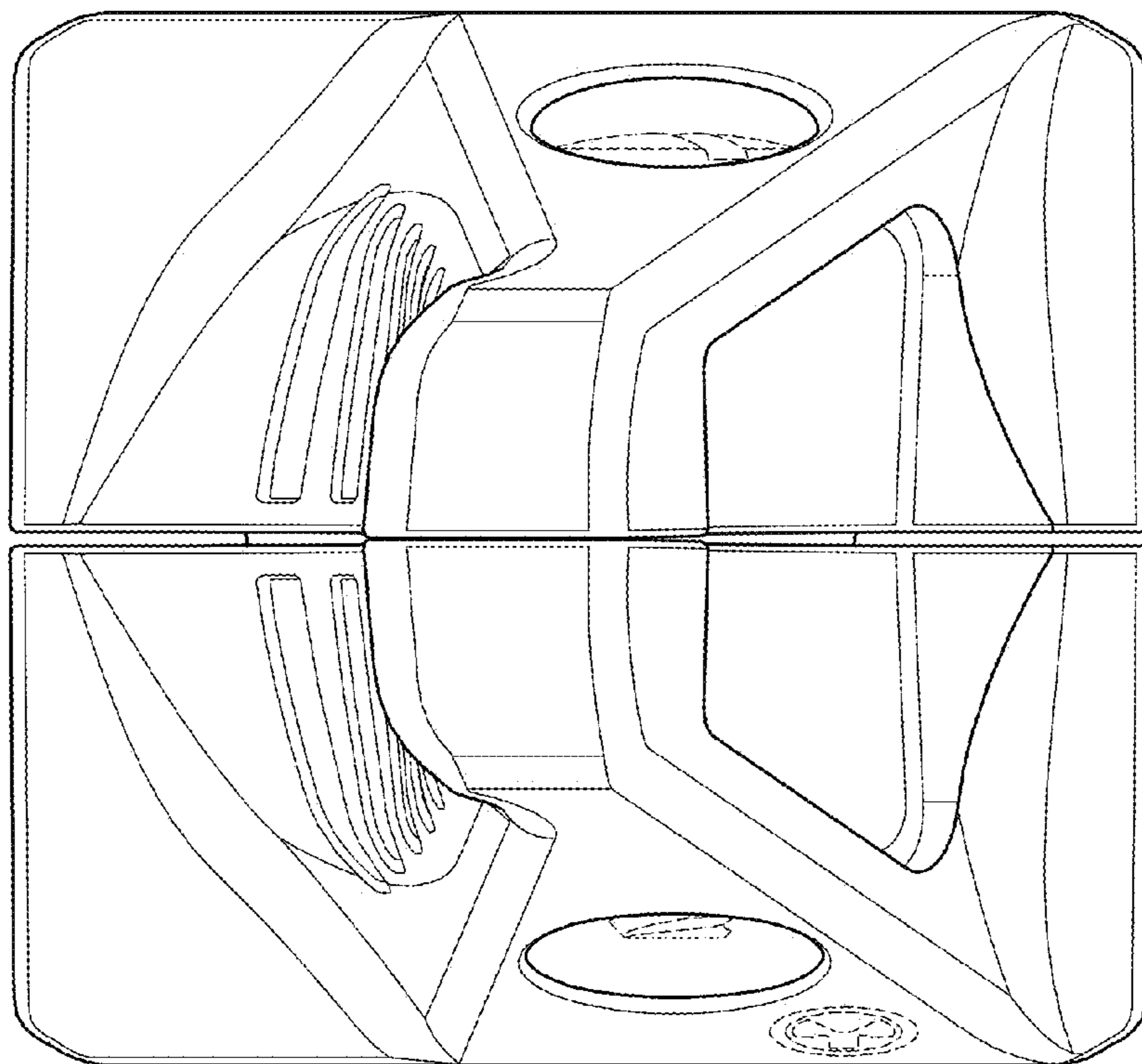


FIG. 6

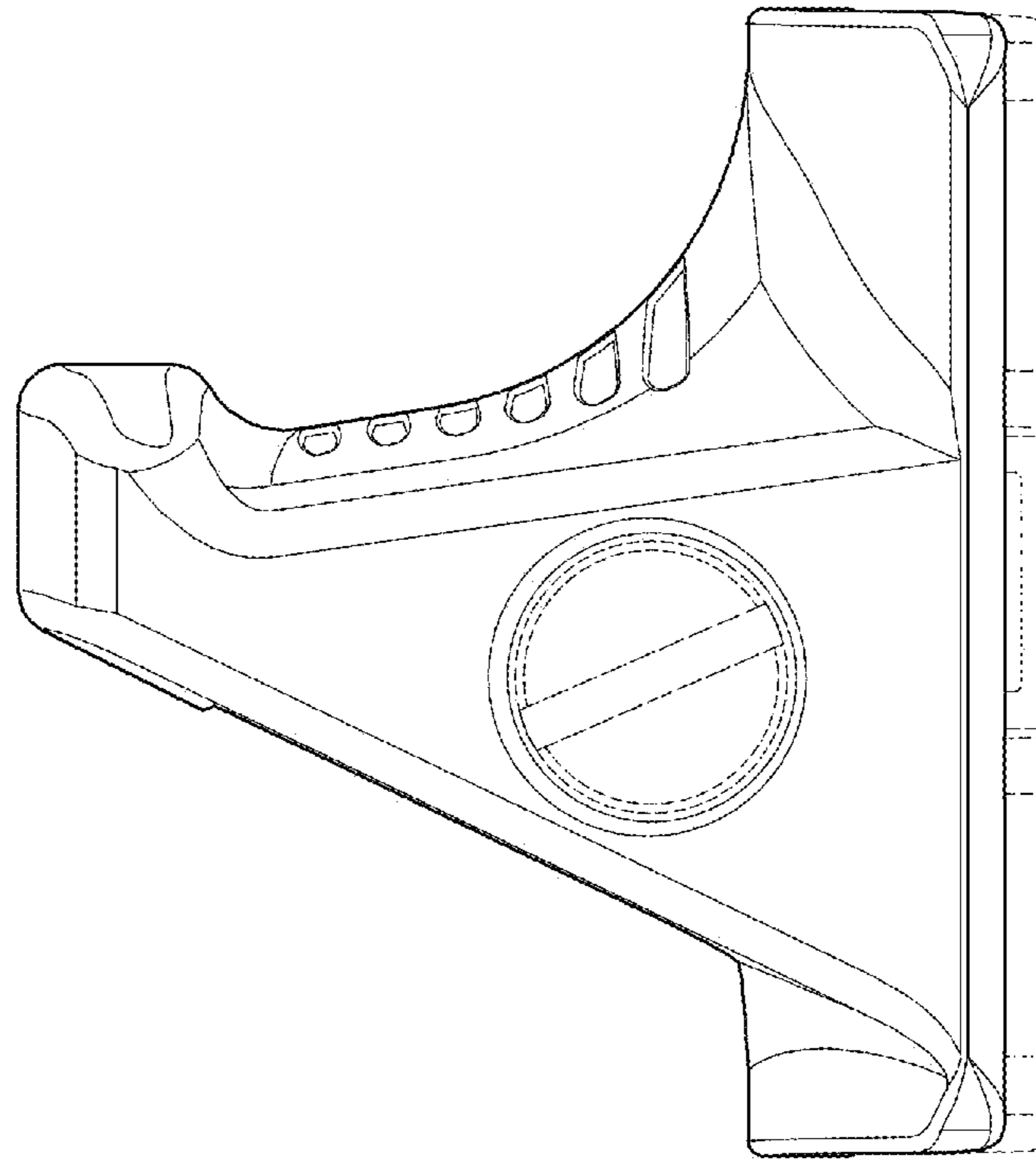


FIG. 8

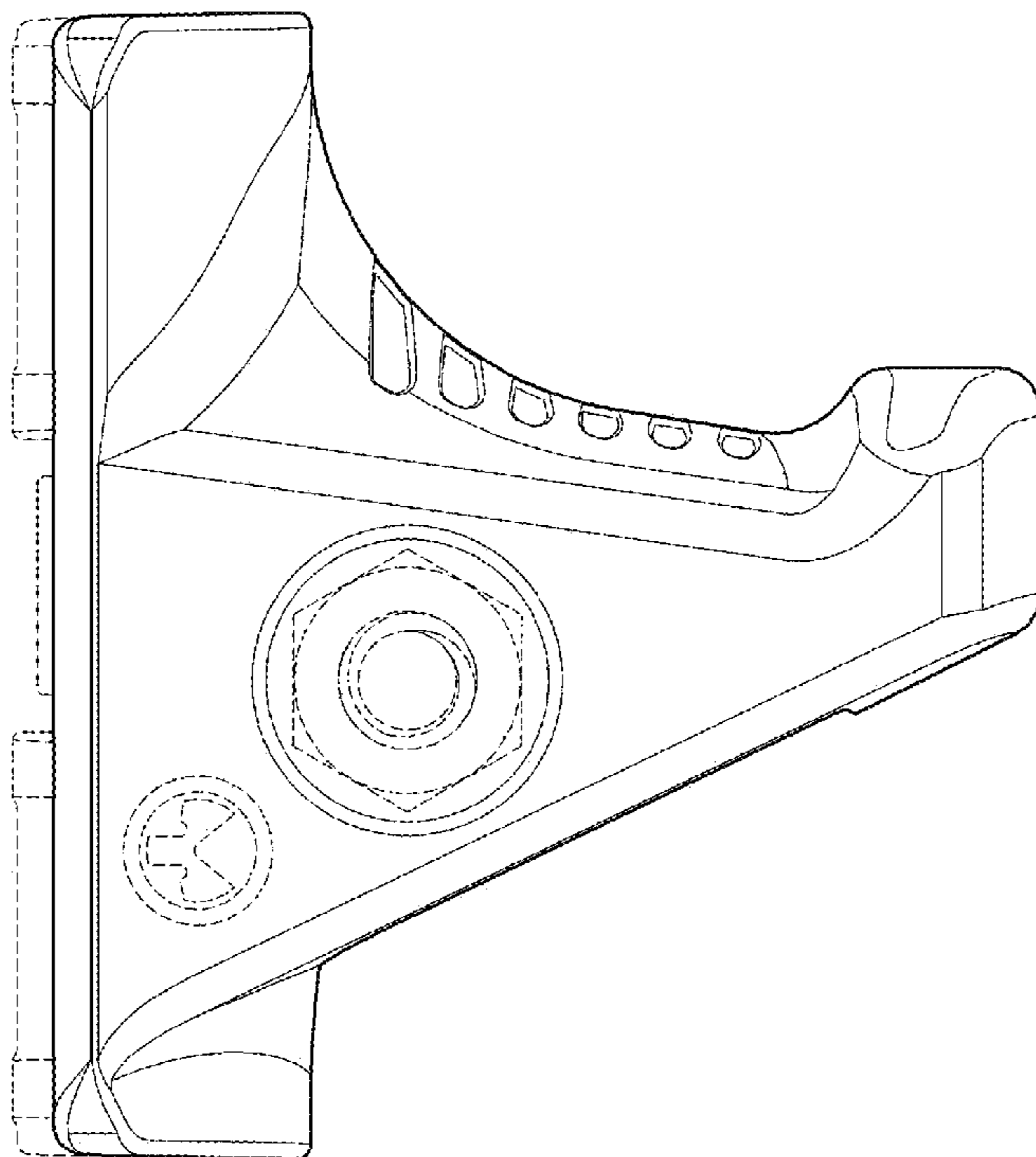


FIG. 9