



US00D691235S

(12) **United States Design Patent**  
**Fitzpatrick et al.**

(10) **Patent No.:** **US D691,235 S**  
(45) **Date of Patent:** **\*\* Oct. 8, 2013**

(54) **RAIL COVER WITH SURFACE DEPRESSIONS**

7,845,105 B1 12/2010 Cahill  
7,856,749 B2 12/2010 Fitzpatrick  
D638,007 S 5/2011 Chang

(Continued)

(75) Inventors: **Richard Fitzpatrick**, Longmont, CO (US); **Michael T. Mayberry**, Denver, CO (US); **Jeremy Kerbs**, Westminster, CO (US); **Eric Christopher Burt**, Broomfield, CO (US); **Michael J. Baranello**, Longmont, CO (US)

**OTHER PUBLICATIONS**

Design U.S. Appl. No. 29/400,004, filed Aug. 22, 2011, "Rail Cover with Surface Partitions".

(Continued)

(73) Assignee: **Magpul Industries Corporation**, Erie, CO (US)

*Primary Examiner* — Michael A Pratt

(74) *Attorney, Agent, or Firm* — Swanson & Bratschun, L.L.C.

(\*\*) Term: **14 Years**

(57) **CLAIM**

The ornamental design for a rail cover with surface depressions, as shown and described.

(21) Appl. No.: **29/424,972**

**DESCRIPTION**

(22) Filed: **Jun. 18, 2012**

(51) **LOC (9) Cl.** ..... **22-01**

(52) **U.S. Cl.**  
USPC ..... **D22/108**

(58) **Field of Classification Search**  
USPC .... D22/100, 108–110, 199; 89/37.03–37.04, 89/41.17; 42/90, 85, 106, 113–114, 124–128  
See application file for complete search history.

FIG. 1 is a bottom, left, front perspective view of a rail cover panel with surface depressions attached to a firearm showing our new design;

FIG. 2 is a left, rear, bottom perspective view of the rail cover panel with surface depressions of FIG. 1 with the firearm omitted;

FIG. 3 is a left side elevation view of the rail cover panel with surface depressions of FIG. 1, the right side being a mirror image thereof;

FIG. 4 is a front elevation view of the rail cover with surface depressions of FIG. 1, the rear being a mirror image thereof;

FIG. 5 is a bottom plan view of the rail cover with surface depressions of FIG. 1;

FIG. 6 is a top plan view of the rail cover with surface depressions of FIG. 1; and,

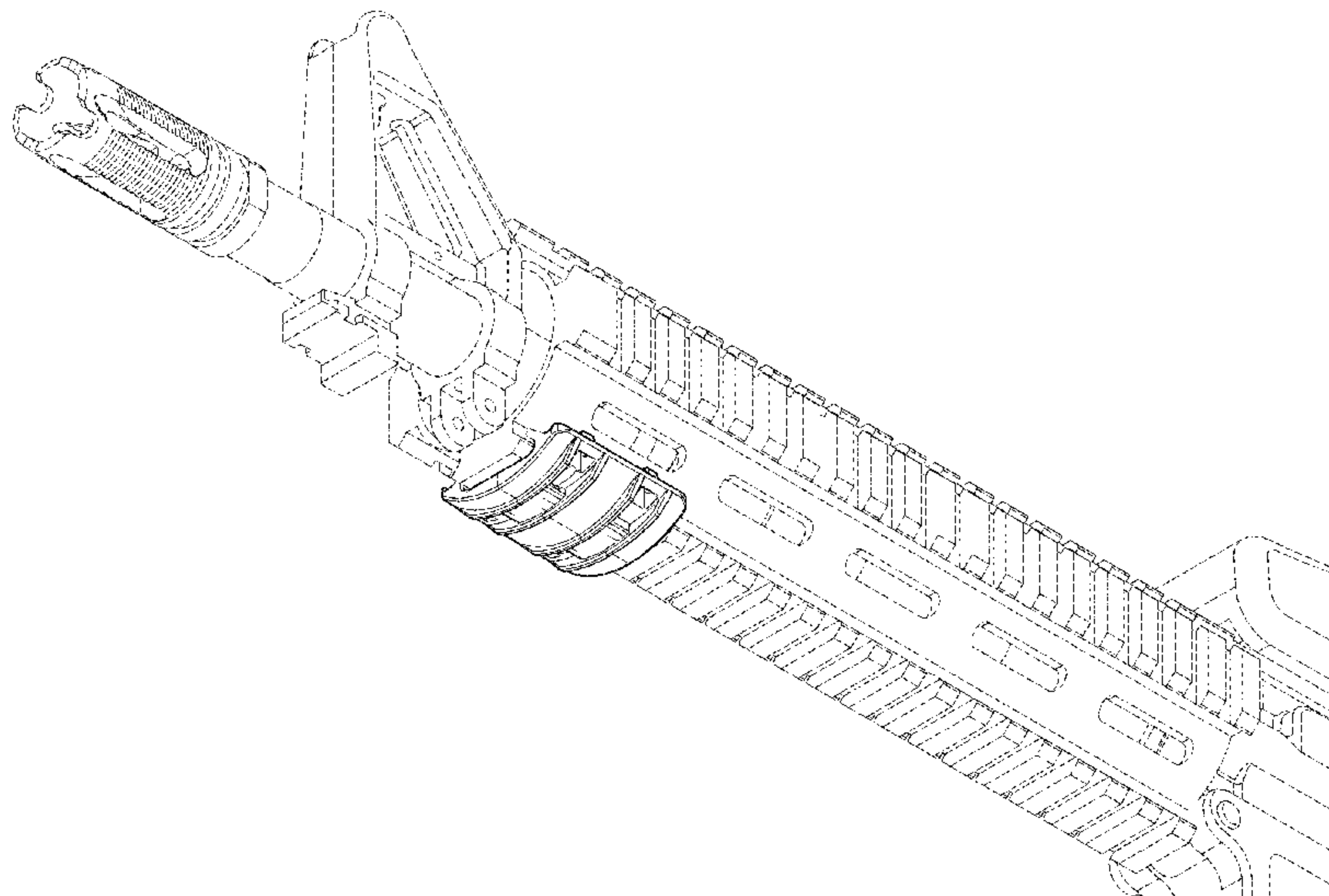
FIG. 7 is a left, front, top perspective view of the rail cover with surface depressions of FIG. 1.  
The broken lines showing portions of the design in all figures is included for the purpose of illustrating environment and unclaimed features and forms not part of the claimed design.

(56) **References Cited**

**U.S. PATENT DOCUMENTS**

|           |    |         |             |
|-----------|----|---------|-------------|
| 4,934,085 | A  | 6/1990  | Lough       |
| 5,826,363 | A  | 10/1998 | Olson       |
| 6,421,946 | B1 | 7/2002  | LaRocco     |
| 6,725,594 | B2 | 4/2004  | Hines       |
| 6,836,990 | B2 | 1/2005  | Shiloni     |
| 6,895,708 | B2 | 5/2005  | Kim         |
| D508,726  | S  | 8/2005  | Storch      |
| 7,117,625 | B2 | 10/2006 | Pikielny    |
| 7,430,828 | B2 | 10/2008 | Munst       |
| 7,438,430 | B2 | 10/2008 | Kim         |
| 7,441,918 | B2 | 10/2008 | Kim         |
| 7,562,483 | B2 | 7/2009  | Hines       |
| D625,378  | S  | 10/2010 | Fitzpatrick |

**1 Claim, 4 Drawing Sheets**



(56)

**References Cited**

U.S. PATENT DOCUMENTS

D638,830 S 5/2011 Magness  
7,971,383 B2 7/2011 Fitzpatrick  
D652,470 S 1/2012 Trusty  
D667,917 S 9/2012 Fitzpatrick  
D668,731 S 10/2012 Fitzpatrick  
D676,920 S 2/2013 Fitzpatrick  
2003/0074822 A1 4/2003 Faifer  
2003/0106252 A1 6/2003 Hines  
2004/0000083 A1 1/2004 Grant  
2004/0064994 A1 4/2004 Luke

2009/0038198 A1 2/2009 Yu  
2009/0193702 A1 8/2009 Lin  
2009/0241397 A1 10/2009 Fitzpatrick  
2010/0236124 A1 9/2010 Troy  
2012/0085013 A1\* 4/2012 Cahill ..... 42/96

OTHER PUBLICATIONS

Design U.S. Appl. No. 29/400,006, filed Aug. 22, 2011, "Rail Cover Half".  
Design U.S. Appl. No. 29/400,444, filed Aug. 29, 2011, "Rail Cover Index Attachment".

\* cited by examiner

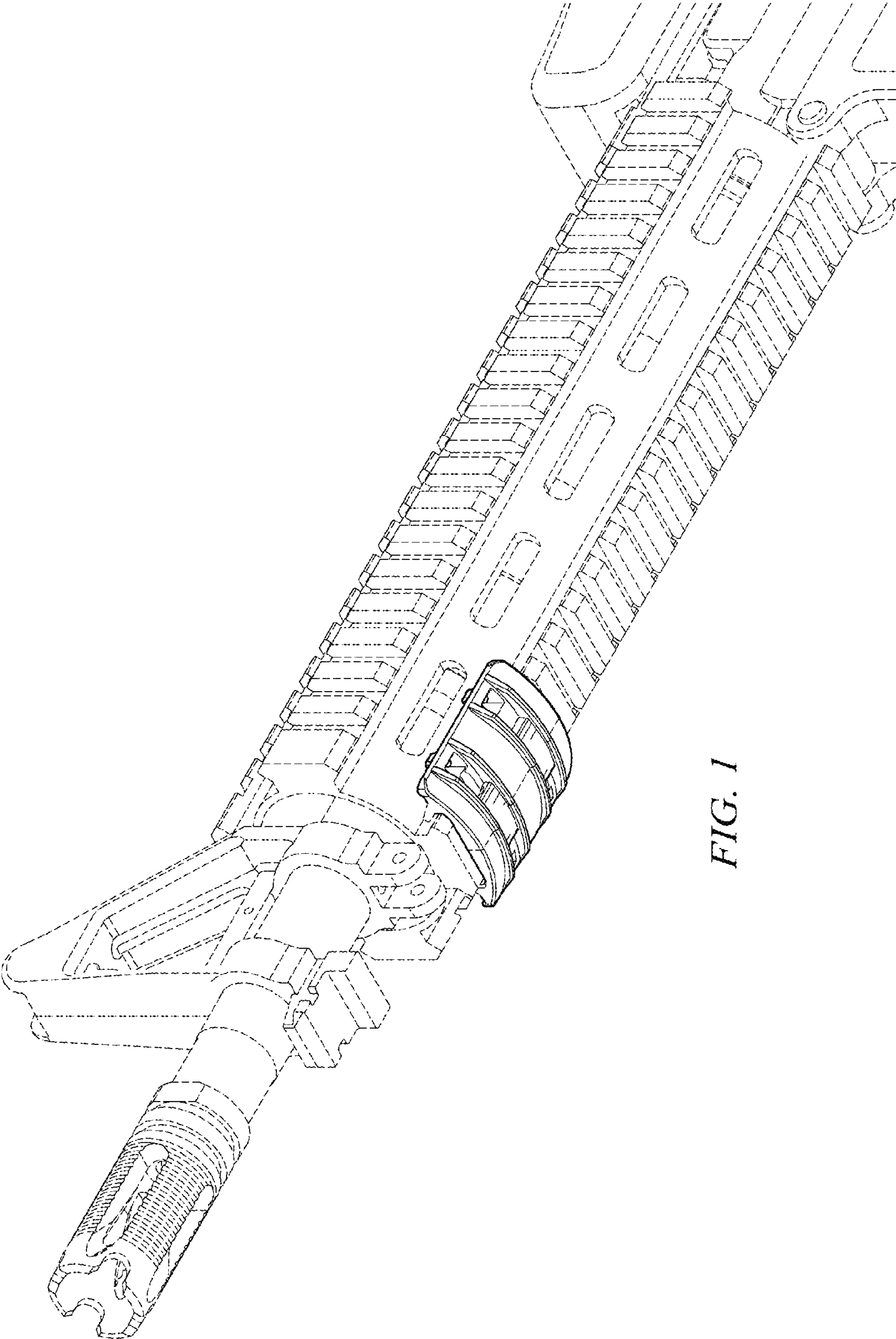


FIG. 1



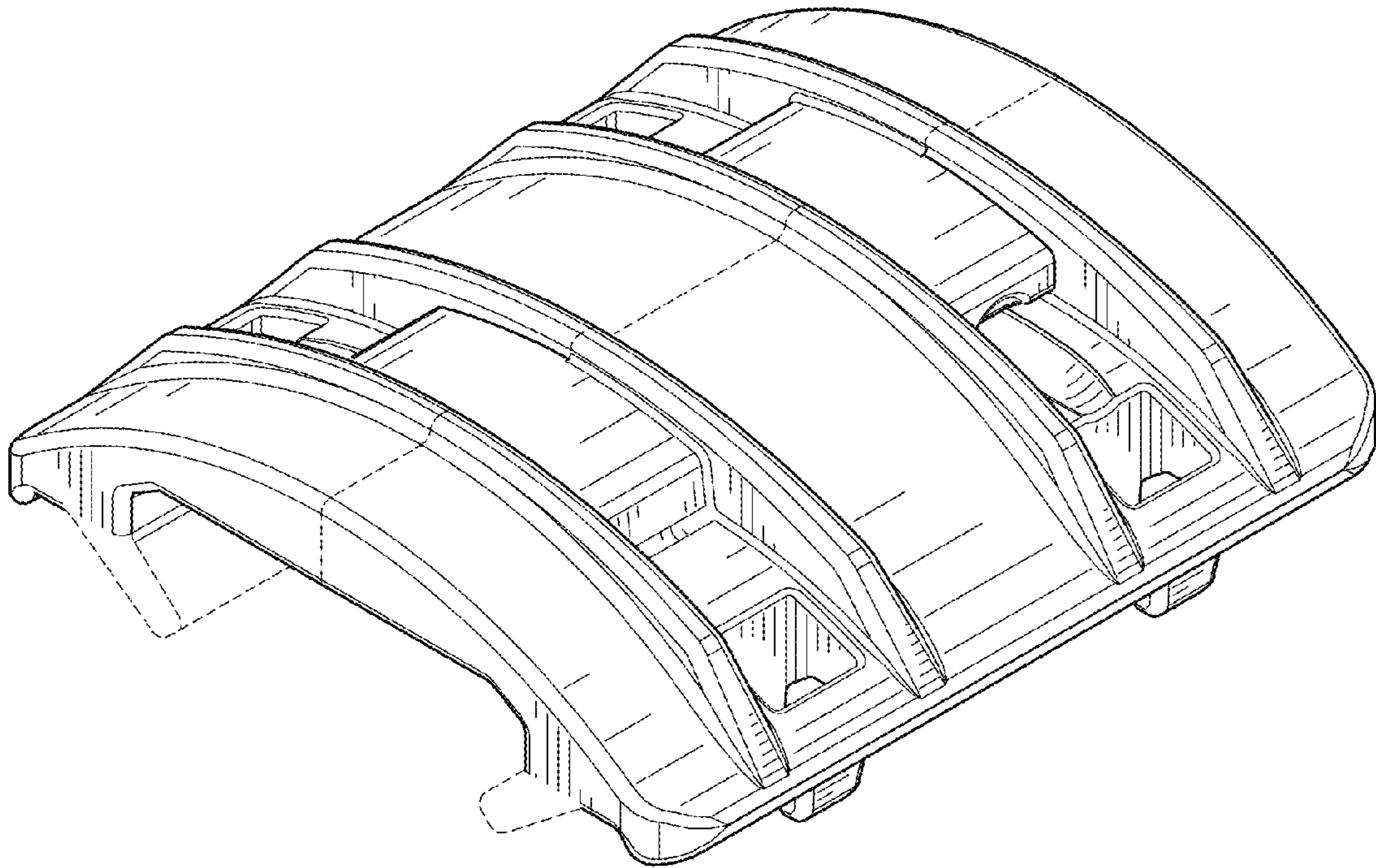


FIG. 2

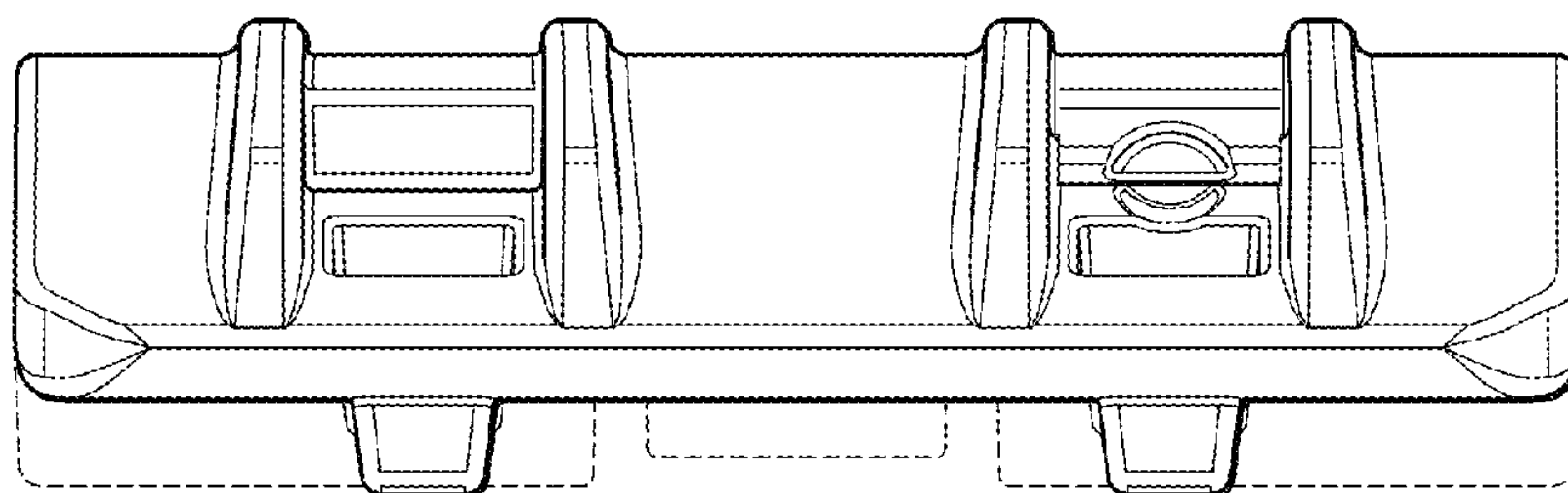


FIG. 3

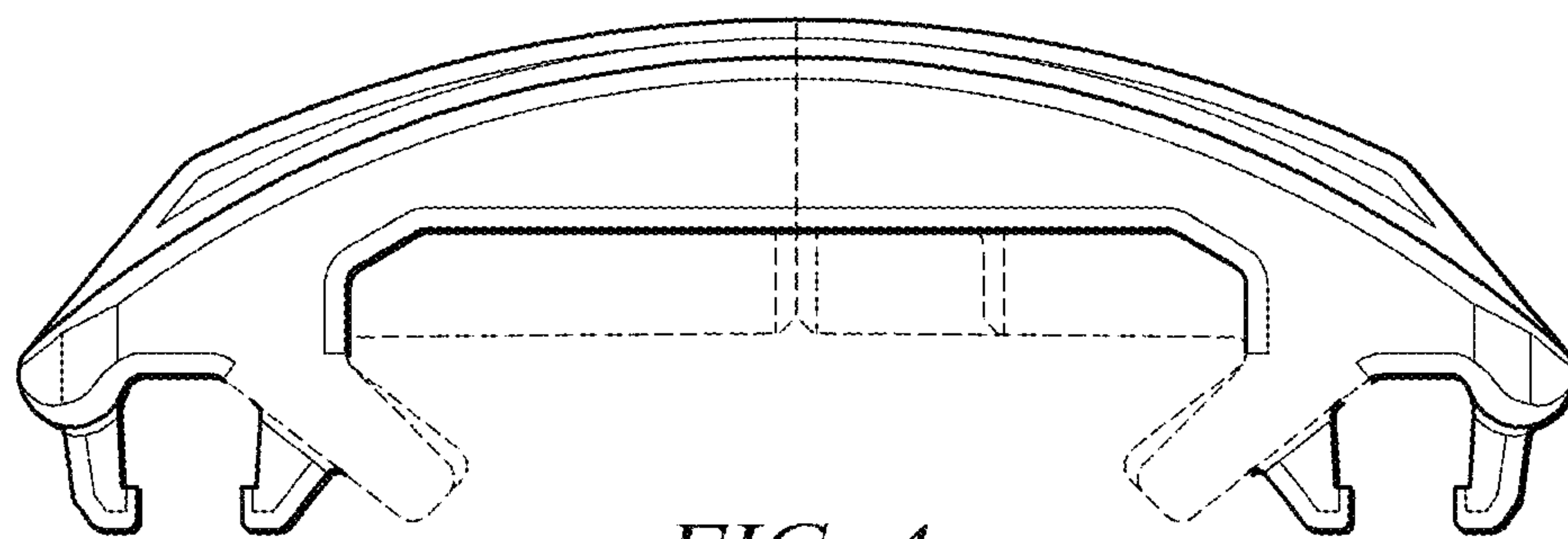


FIG. 4

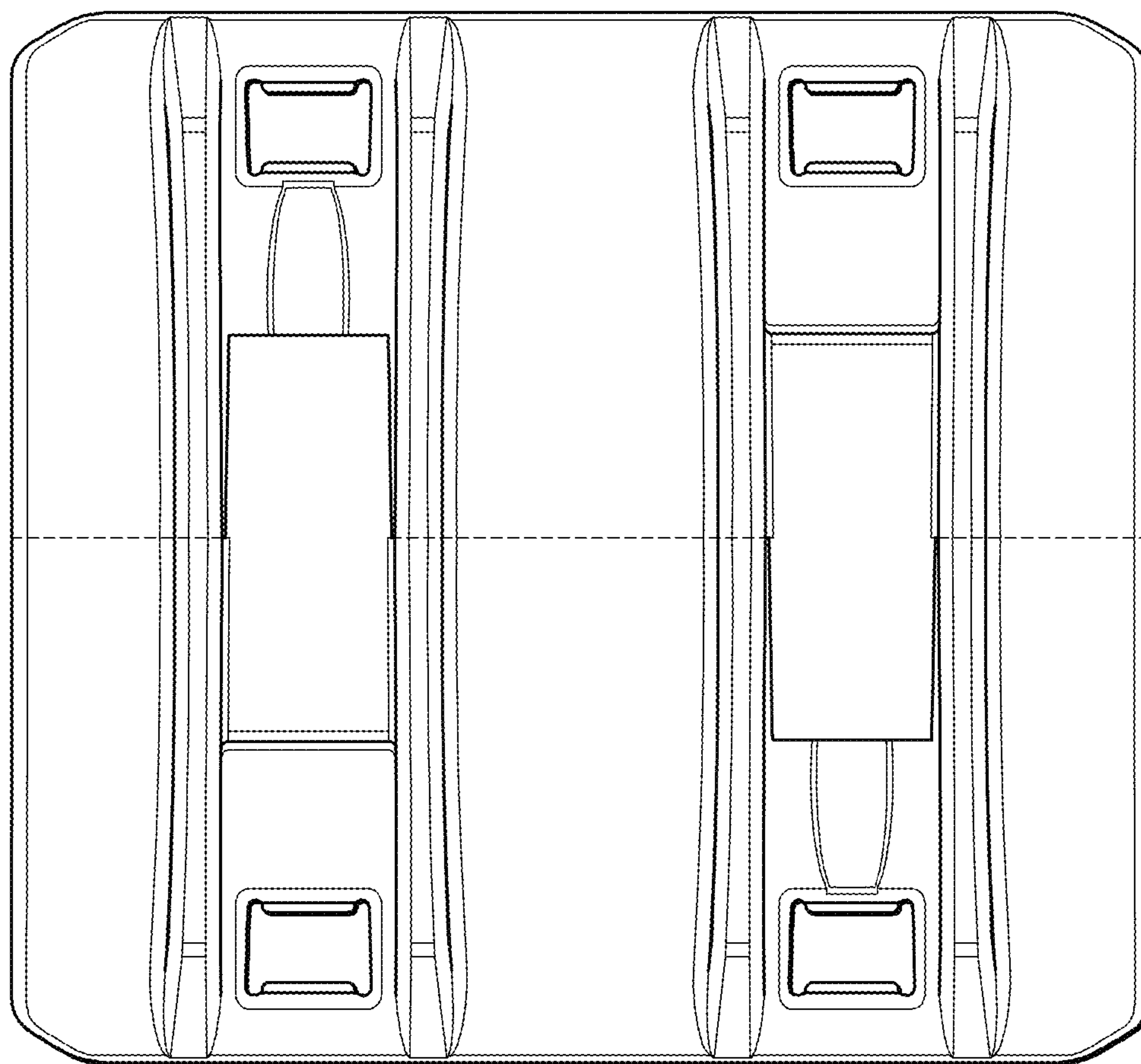


FIG. 5

FIG. 6

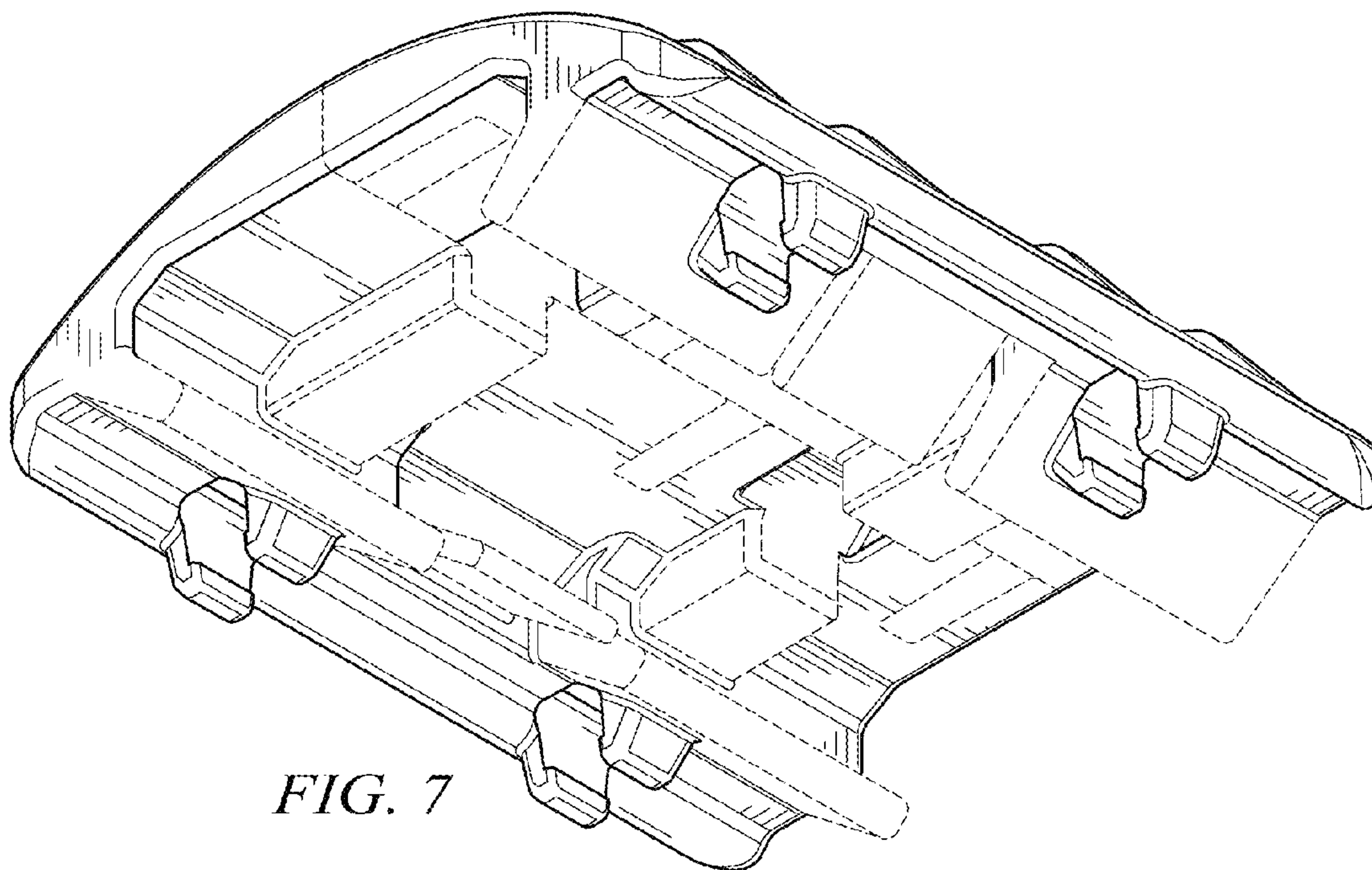
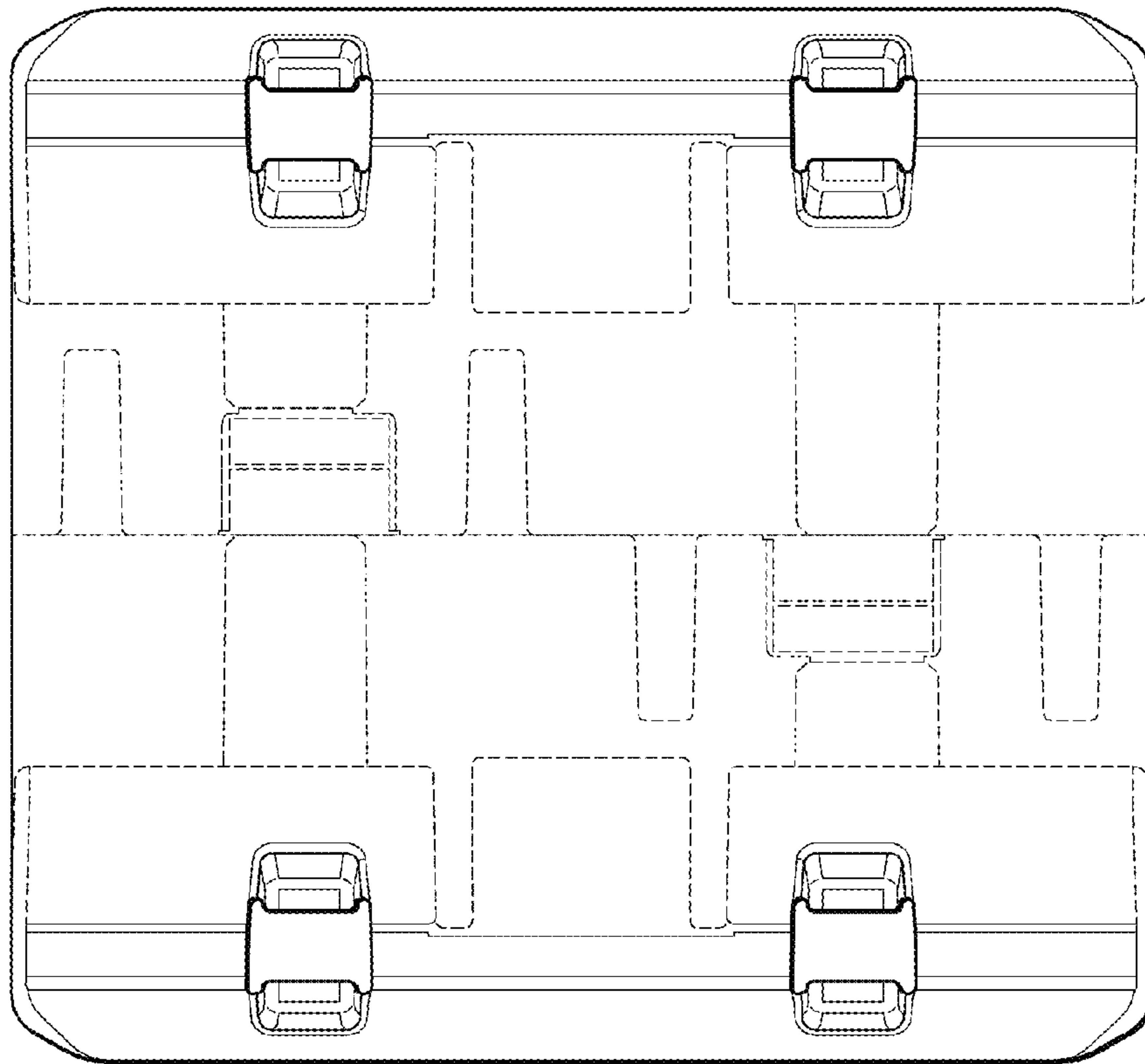


FIG. 7