



US00D691233S

(12) **United States Design Patent**
Bennett et al.

(10) **Patent No.:** **US D691,233 S**
(45) **Date of Patent:** **** *Oct. 8, 2013**

(54) **MAGAZINE FOR A FIREARM**

D614,719 S 4/2010 Fitzpatrick
D614,720 S 4/2010 Fitzpatrick
D614,721 S 4/2010 Fitzpatrick
D616,057 S 5/2010 Fitzpatrick

(75) Inventors: **Brad Bennett**, Lafayette, CO (US);
Richard Fitzpatrick, Longmont, CO
(US); **Michael T. Mayberry**, Denver,
CO (US); **Brian Nakayama**, Arvada, CO
(US); **Nick Kielsmeier**, Thornton, CO
(US); **Chad McKonly**, Boulder, CO
(US)

(Continued)

OTHER PUBLICATIONS

Design U.S. Appl. No. 29/410,910, filed Jan. 13, 2012, "PMAG
30M3 Firearm Magazine" by Fitzpatrick.

(Continued)

(73) Assignee: **Magpul Industries Corporation**, Erie,
CO (US)

Primary Examiner — Michael A Pratt

(*) Notice: This patent is subject to a terminal dis-
claimer.

(74) *Attorney, Agent, or Firm* — Swanson & Bratschun,
L.L.C.

(**) Term: **14 Years**

(57) **CLAIM**

The ornamental design for a magazine for a firearm, as shown
and described.

(21) Appl. No.: **29/423,117**

(22) Filed: **May 29, 2012**

DESCRIPTION

(51) **LOC (9) Cl.** **22-01**

(52) **U.S. Cl.**
USPC **D22/108**

(58) **Field of Classification Search**
USPC D22/108; 42/6, 7, 49.01–49.02,
42/50, 49.1; D21/572–573; 362/110; 89/33.1,
89/40.06, 37.04, 33.04, 191.01; 124/45,
124/66, 67, 74

See application file for complete search history.

FIG. 1 is a left, bottom, front perspective view of a magazine
for a firearm showing our new design;
FIG. 2 is a right side elevation view of the magazine for a
firearm of FIG. 1;
FIG. 3 is a left side elevation view of the magazine for a
firearm of FIG. 1;
FIG. 4 is a top plan view of the magazine for a firearm of FIG.
1;
FIG. 5 is a bottom plan view of the magazine for a firearm of
FIG. 1;
FIG. 6 is a front elevation view of the magazine for a firearm
of FIG. 1;
FIG. 7 is a rear elevation view of the magazine for a firearm of
FIG. 1; and,
FIG. 8 is a bottom, right, rear perspective view of the maga-
zine for a firearm of FIG. 1.

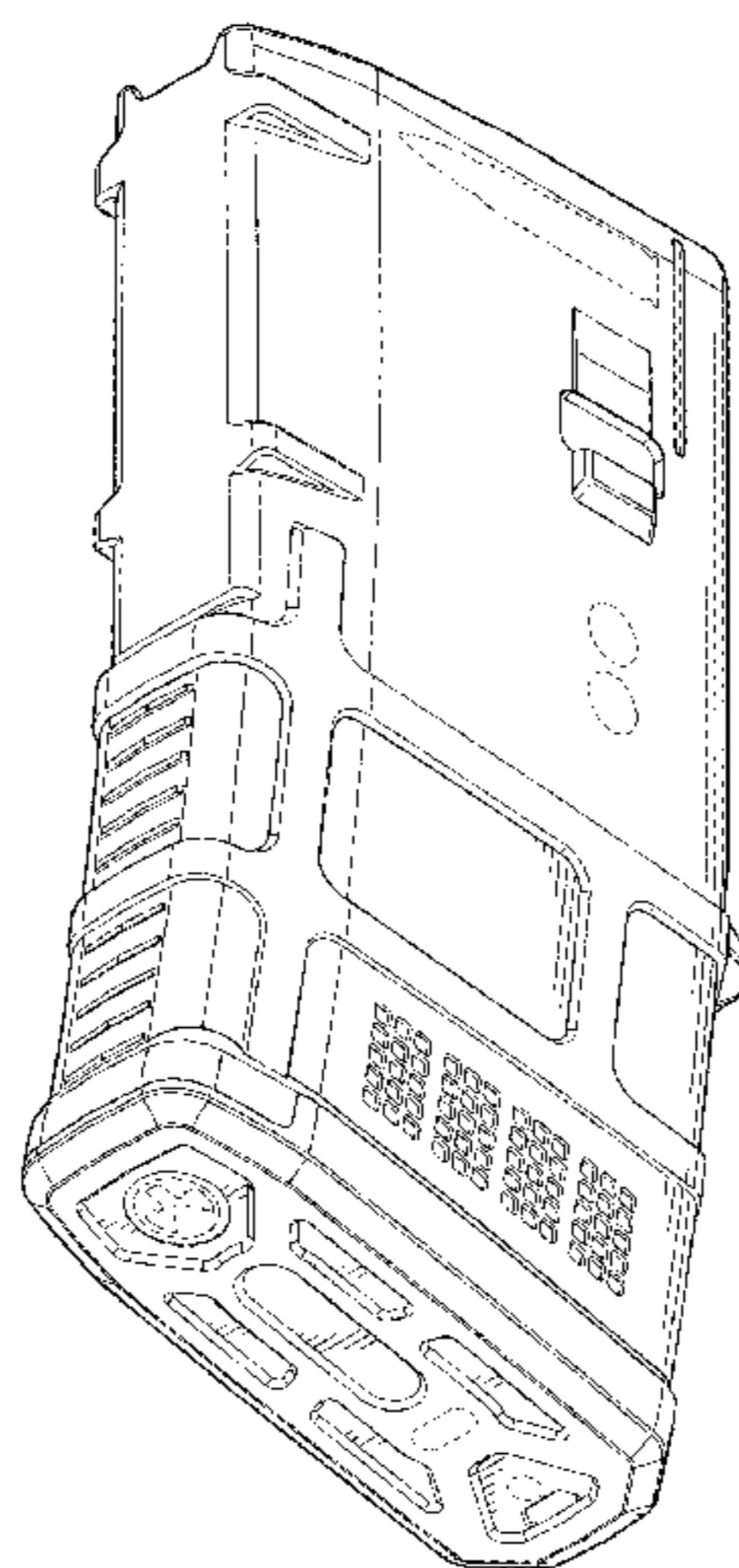
The broken lines showing portions of the design in all figures
is included for the purpose of illustrating environment and
unclaimed features and forms not part of the claimed design.

(56) **References Cited**

U.S. PATENT DOCUMENTS

4,100,694	A *	7/1978	Musgrave	42/90
4,139,959	A	2/1979	Howard	
4,484,404	A *	11/1984	Johnson	42/90
4,617,749	A *	10/1986	Jurek	42/16
4,628,627	A *	12/1986	Johnson	42/90
D297,854	S *	9/1988	Vyprachticky	D22/108
D362,044	S	9/1995	Snieszak	
D593,635	S	6/2009	Fitzpatrick	
7,562,482	B1 *	7/2009	Johnson	42/90
D600,303	S	9/2009	Fitzpatrick	

1 Claim, 6 Drawing Sheets



(56)

References Cited

U.S. PATENT DOCUMENTS

D620,544	S	7/2010	Fitzpatrick	
D620,545	S	7/2010	Fitzpatrick	
7,798,045	B1	9/2010	Fitzpatrick	
D632,752	S	2/2011	Fitzpatrick et al.	
D633,164	S	2/2011	Fitzpatrick	
D633,589	S	3/2011	Fitzpatrick	
D633,590	S	3/2011	Fitzpatrick	
7,958,660	B2	6/2011	Fitzpatrick et al.	
D642,234	S	7/2011	Marfione	
D642,647	S	8/2011	Fitzpatrick et al.	
8,061,255	B1	11/2011	Boberg	
D678,455	S *	3/2013	Hatfield	D22/108
D680,613	S	4/2013	Fitzpatrick	
D681,151	S	4/2013	Fitzpatrick	
2010/0251590	A1	10/2010	Fitzpatrick	
2012/0066950	A1	3/2012	Davidson	
2012/0317857	A1	12/2012	Fitzpatrick et al.	
2013/0086834	A1 *	4/2013	Battaglia	42/49.02

OTHER PUBLICATIONS

Design U.S. Appl. No. 29/420,155, filed May 4, 2012, "Translucent Magazine for a Firearm" by Fitzpatrick.
 Design U.S. Appl. No. 29/423,116, filed May 29, 2012, "M3 10 Magazine" by Bennett.
 Design U.S. Appl. No. 29/440,787, filed Dec. 27, 2012, "Firearm Magazine" by Mayberry.
 Design U.S. Appl. No. 29/440,889, filed Dec. 28, 2012, "Firearm Magazine" by Kielsmeier.
 Design U.S. Appl. No. 29/440,792, filed Dec. 27, 2012, "Firearm Magazine with Window" by Kielsmeier.
 Design U.S. Appl. No. 29/450,963, filed Mar. 26, 2013, "Magazine for a Firearm" by Nakayama.
 Design U.S. Appl. No. 29/450,964, filed Mar. 26, 2013, "Magazine for a Firearm" by Nakayama.
 Brownells_2012_AR15-M16_20-30-Round_Magazines
 Brownells (2012) AR-15/M16 20- & 30-Round Magazines; Website [Online] Available Web Site: <http://www.brownells.com/asp/pid=21225/Product/AR-15-M16-20-30-ROUND-MAGAZINES>; Last Update: unknown; Accessed on May 4, 2012.
 Brownells AR-15/M16 Tactical Magazine Brownells (Apr. 20, 2010) AR-15/M16 Tactical Magazine; Website [Online] Available Web Site: http://www.brownells.com/asp/pid=24307/Product/AR_15_M16_TACTICAL_MAGAZINE; Last Update: Unknown; Accessed on: Apr. 20, 2010.
 Cheaperthandirt_com_2010_Mag_AR-15_223_Orlite
 Cheaperthandirt.com (Apr. 20, 2010) Mag AR-15.223 Orlite 30 Round Israeli Shows Field Use; Website [Online] Available Web Site: <http://www.cheaperthandirt.com/MAG105-1.html>; Last Update: Unknown; Accessed on: Apr. 20, 2010.
 EMA_Tactical_CDMAG_Countdown_Magazine
 EMA Tactical (Apr. 20, 2010) CDMAG Countdown Magazine; Website [Online] Available Web Site: <http://www.ematactical.com/viewProduct.asp?ID=278&catID=8>; Last Update: Unknown, Accessed on: Apr. 20, 2010.
 Foltz (Feb. 21, 2007) 5.56mm 30 Round Magazine Improvement Programs; PDF [Online] Available Web Site: <http://www.dtic.mil/ndia/2006smallarms/foltz.pdf> Last Update: Feb. 21, 2007; Accessed on: Apr. 20, 2010.
 Gunbroker_com_2010_Eagle_International_223_Polymer_Magazine
 Gunbroker.com (Apr. 20, 2010) Eagle International 223 Polymer Magazine 223; Website [Online] Available Web Site: <http://www.gunbroker.com/Auction/ViewItem.aspx?Item=164602069#PIC>; Last Updated: Unknown; Accessed on: Apr. 20, 2010.

HKParts.net_2010_HK_G36_30_Round_Magazine
 HKParts.net (Apr. 20, 2010) HK G36 30 Round Magazine; Website [Online] Available Web Site: <http://www.hkparts.net/shop/pc/HK-G36-30-Round-Mag-Fits-G36-G36K-G36C-Converted-SL8-s-182p624.htm>; Last Update: Unknown; Accessed on: Apr. 20, 2010.
 HKParts_net_2010_30_Round_HK_416_KCI_Steel_556_Magazine
 HKParts.net (Apr. 20, 2010) 30 Round HK 416 KCI Steel .556 Magazine; Website [Online] Available Web Site: <http://www.hkparts.net/shop/pc/30-Round-HK-416-KCI-Steel-556-Magazine-64p982.htm>; Last Update: Unknown; Accessed on: Apr. 20, 2010.
 HKParts_net_2010_SL8_20_Round_Single_Stack_Magazine
 HK Parts.net (May 7, 2010) SL8 20 Round Single Stack Magazine; Website [Online] Available Web Site: <http://www.hkparts.net/shop/pc/SL8-20-Round-Single-Stack-Magazine-182p805.htm>; Last Update: Jul. 6, 2010; Accessed on May 4, 2012.
 Lancer_Systems_2012_AWM_Magazine
 Lancer Systems (2012) L5 AWM Magazine; Website [Online] Available Web Site: http://www.lancer-systems.com/L5_AWM.html; Last Update: Unknown; Accessed on: May 4, 2012.
 Lancer_Systems_2010_L5_Translucent_Magazine
 Lancer Systems (Apr. 20, 2010) L5 Translucent Magazine; Website [Online] Available Web Site: http://www.lancer-systems.com/L5_2010_30.html; Last Update: Unknown; Accessed on: Apr. 20, 2010.
 Lancer_Systems_2010_L5_Translucent_Magazine_20-30_Round
 Lancer Systems (Apr. 16, 2010) L5 Translucent Magazine 2- & 30 Round Magazines; Website [Online] Available Web Site: http://www.lancer-systems.com/L5_2010_30.html; Last Update: Nov. 14, 2010; Accessed on: May 4, 2012.
 Magpul_2010_PMAG_Magazines
 Magpul (Jan. 3, 2010) PMAG Magazines; Website [Online] Available Web Site: http://store.magpul.com/prod_detail_list/2 Last Update: Dec. 2, 2010 Accessed on: May 4, 2012.
 Remtek_com_1999_Steyr_AUG_Magazine_Group
 Remtek.com (Oct. 4, 1999) Steyr AUG Magazine Group; Website [Online] Available Web Site: <http://www.remtek.com/arms/steyr/aug/specs/magazine/magazine.htm> Last Update: Apr. 7, 2009; Accessed on: May 4, 2012.
 Tangodown_2010_ARC-L_Magazine
 TangoDown (Apr. 20, 2010) ARC-L Magazine; Website [Online] Available Web Site: http://tangodown.com/shop/product_info.php?products_id=126; Last Update: Unknown, Accessed on: Apr. 20, 2010.
 ThermoldMagazines_com_2010_Magazines
 Thermoldmagazines.com (Apr. 20, 2010) Magazines; Website [Online] Available Web Site: <http://www.thermoldmagazines.com/magazines.html>; Last Update: Unknown; Accessed on: Apr. 20, 2010.
 ThermoldMagazines_com_2012_M-16AR-M15-30-Magazines
 Thermoldmagazines.com (2012) M-16/AR-15/30-Magazine; Website [Online] Available Web Site: <http://www.thermoldmagazines.com/collections/magazines-accessories/products/m-16-ar-15-30-magazine>; Last Update: Unknown; Accessed on: May 4, 2012.
 Troyind_com_2010_Troy_BattleMag
 Troyind.com (Apr. 20, 2010) Troy BattleMag; Website [Online] Available Web Site: http://store.troyind.com/Troy_BattleMag_p/smag-sin-00bt-00.htm; Last Update: Unknown; Accessed on: Apr. 20, 2010.
 Design U.S. Appl. No. 29/354,001, filed Jan. 18, 2010, "Firearm Magazine".
 Design U.S. Appl. No. 29/354,005, filed Jan. 18, 2010, "Large Capacity Firearm Magazine".
 Design U.S. Appl. No. 29/354,007, filed Jan. 18, 2010, "Small Capacity Firearm Magazine".
 Design U.S. Appl. No. 29/354,008, filed Jan. 18, 2010, "Medium Capacity Firearm Magazine".

* cited by examiner

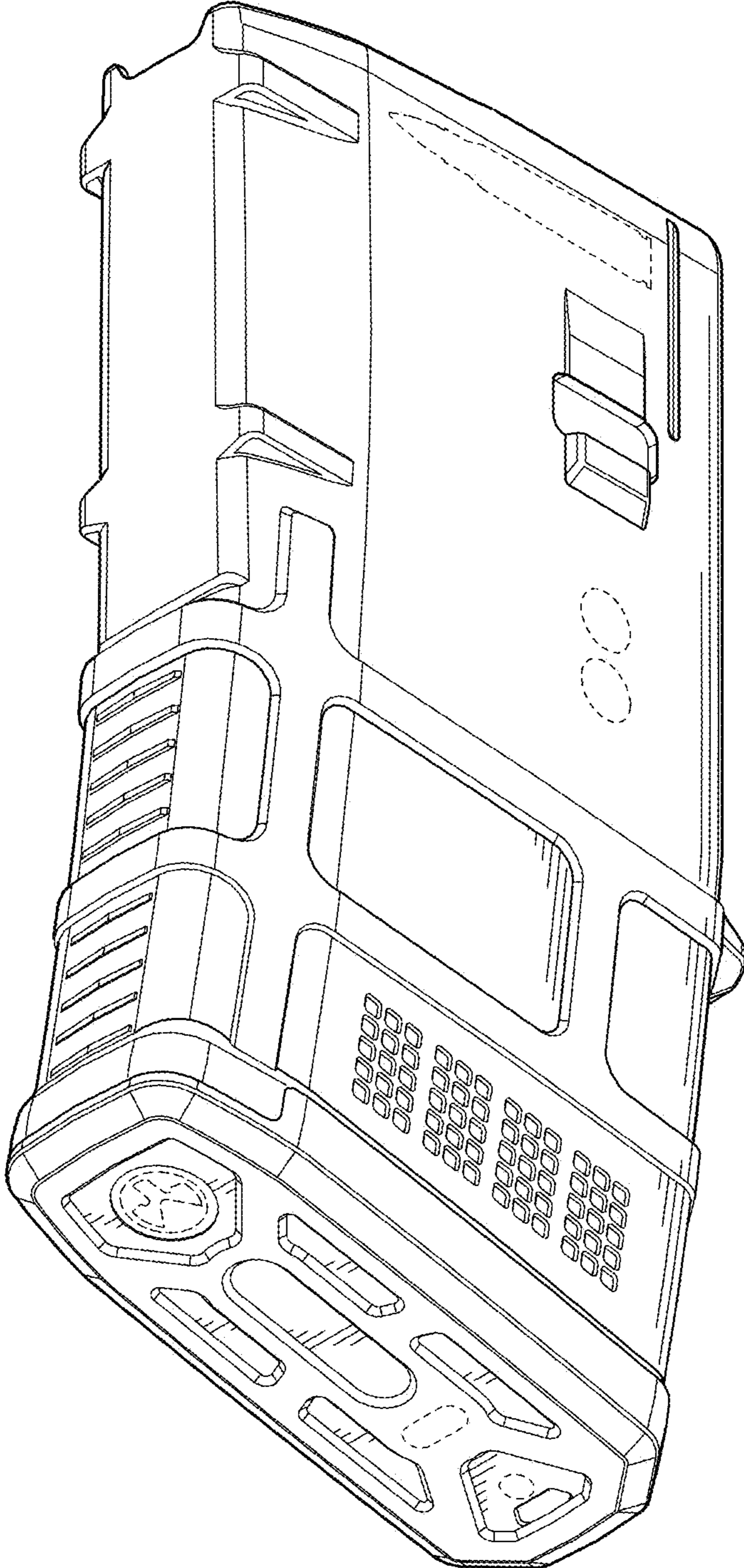


FIG. 1

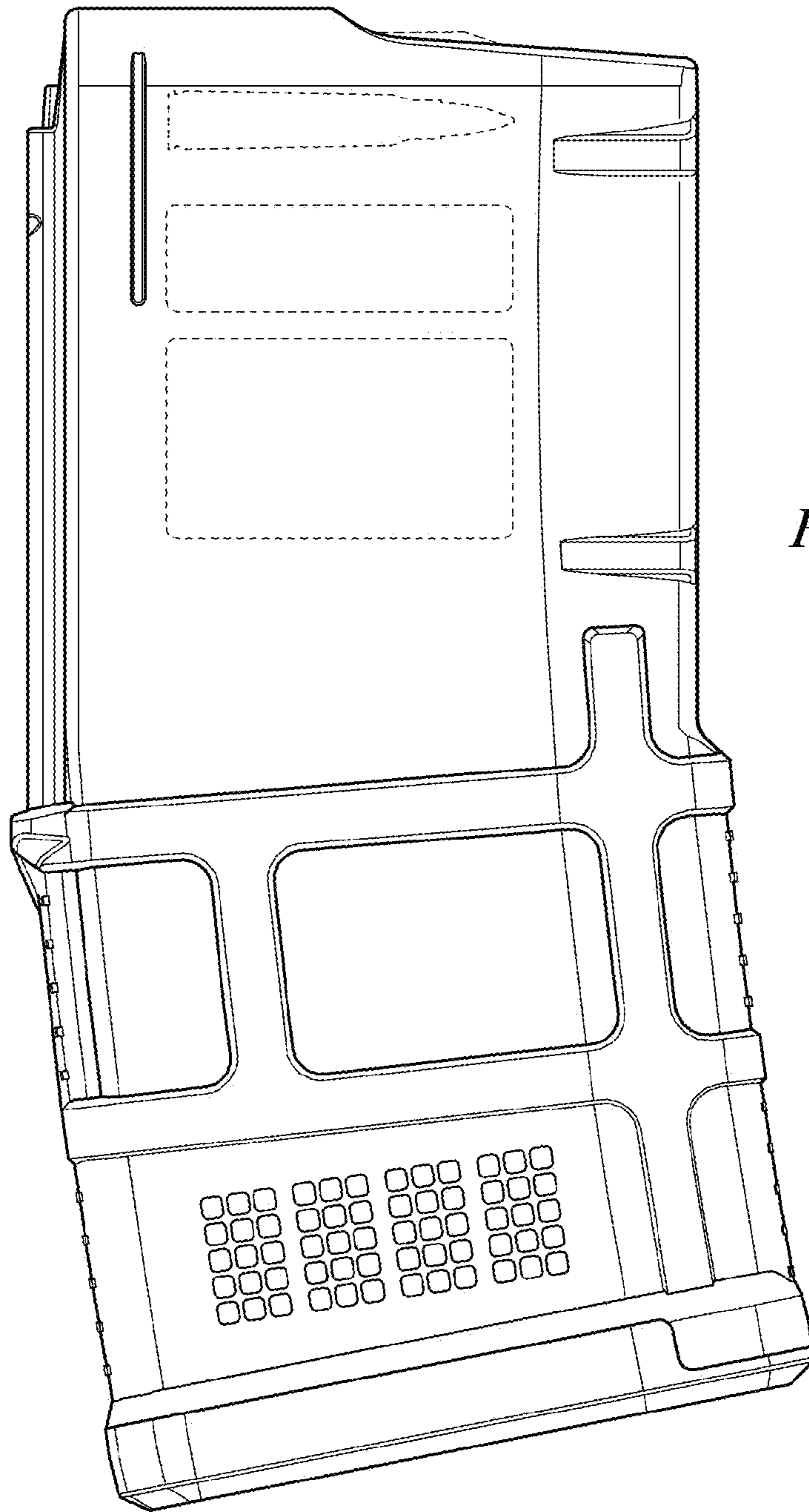
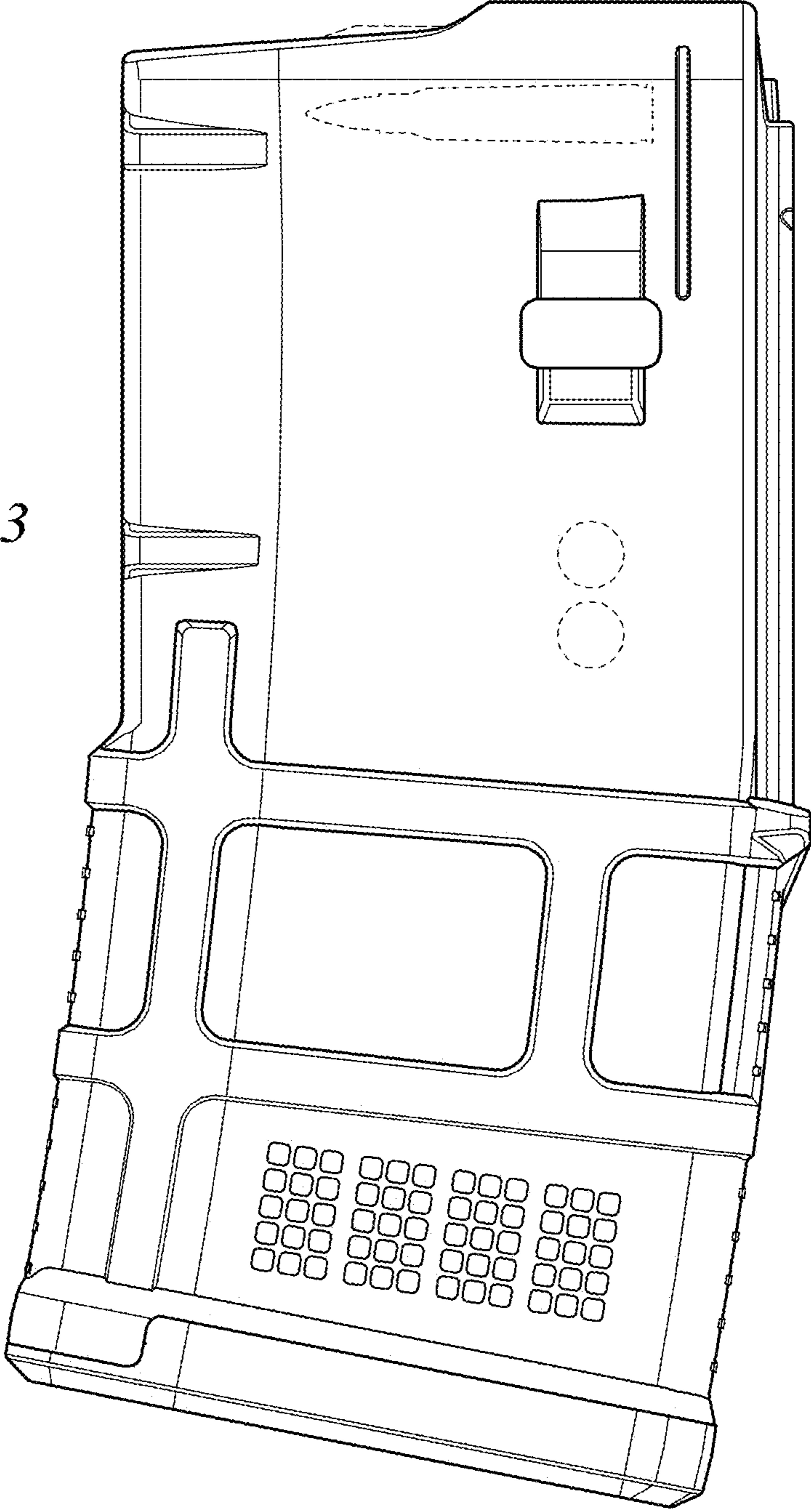


FIG. 2

FIG. 3



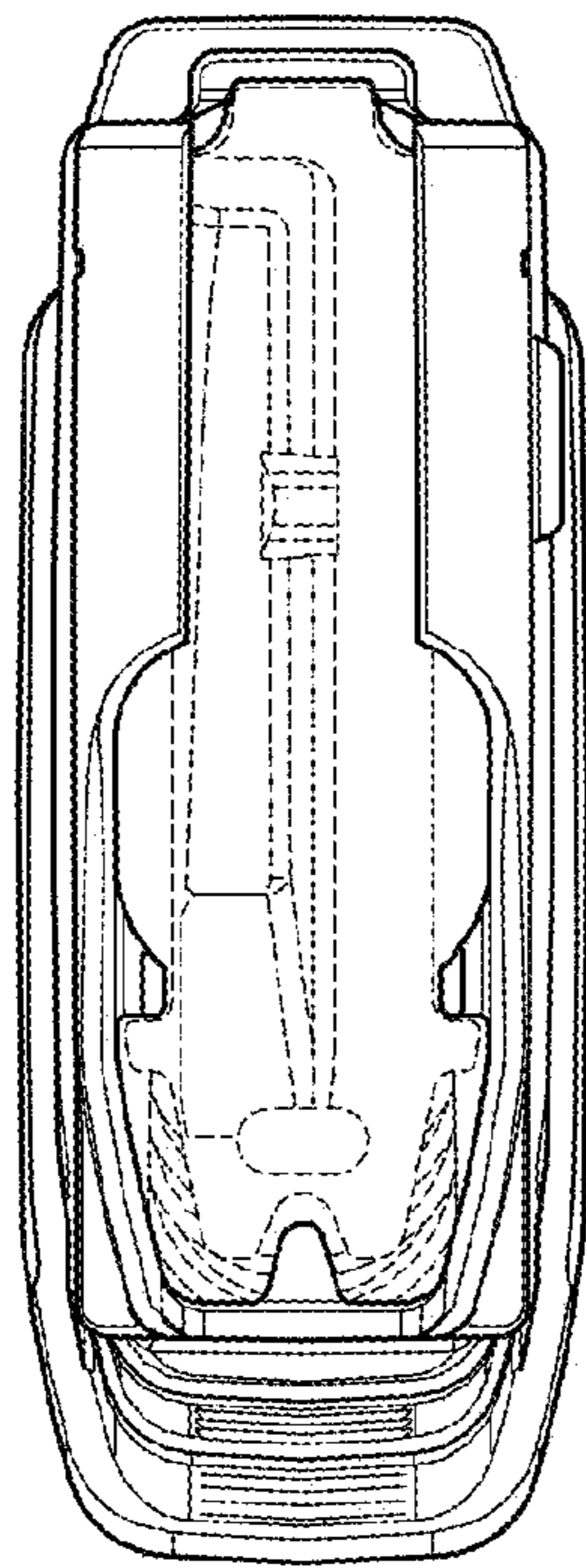


FIG. 4

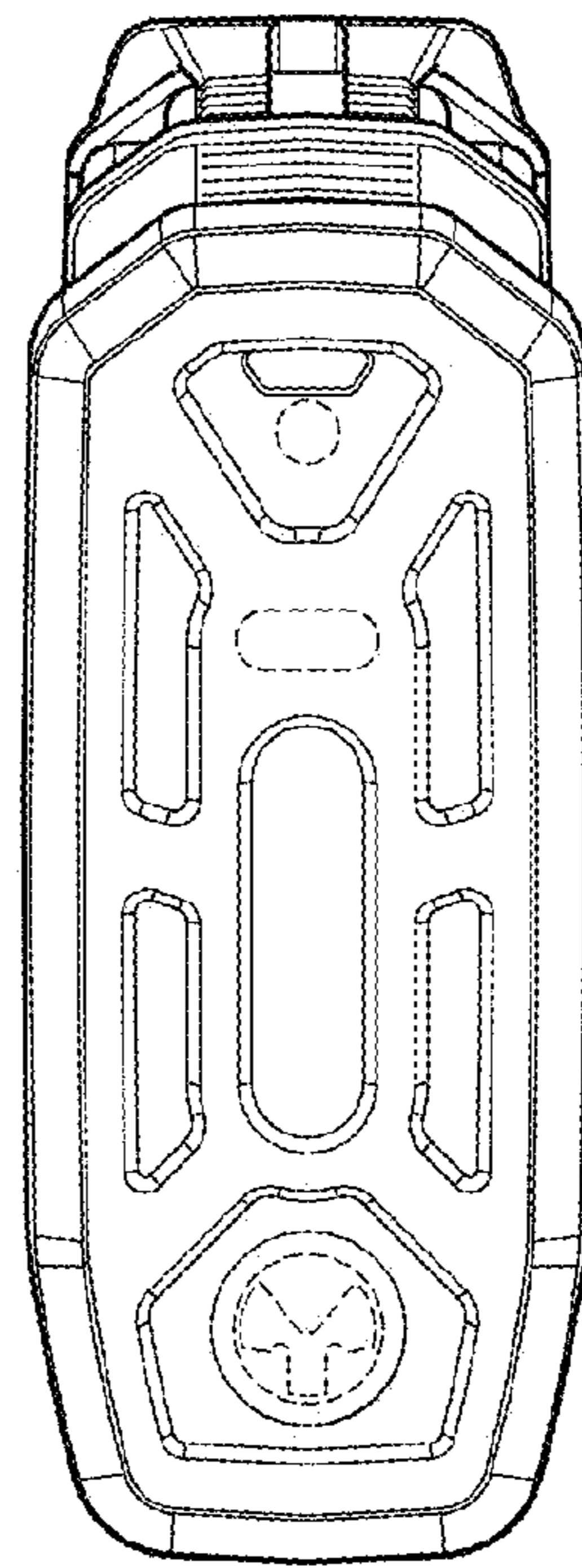


FIG. 5

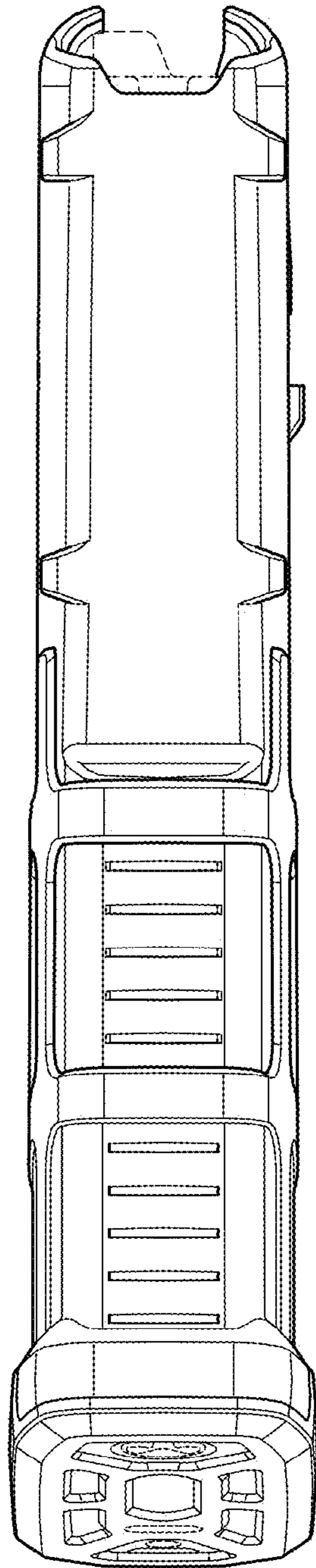


FIG. 6

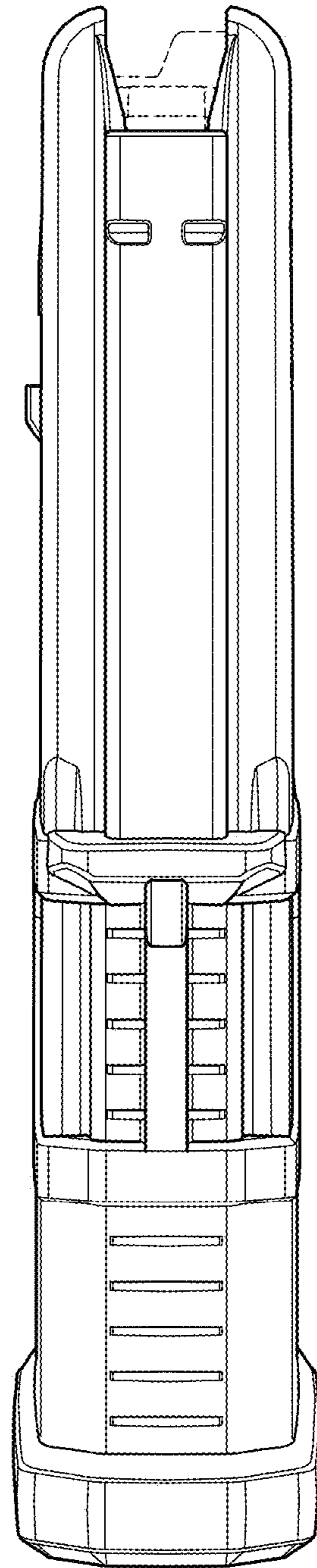


FIG. 7

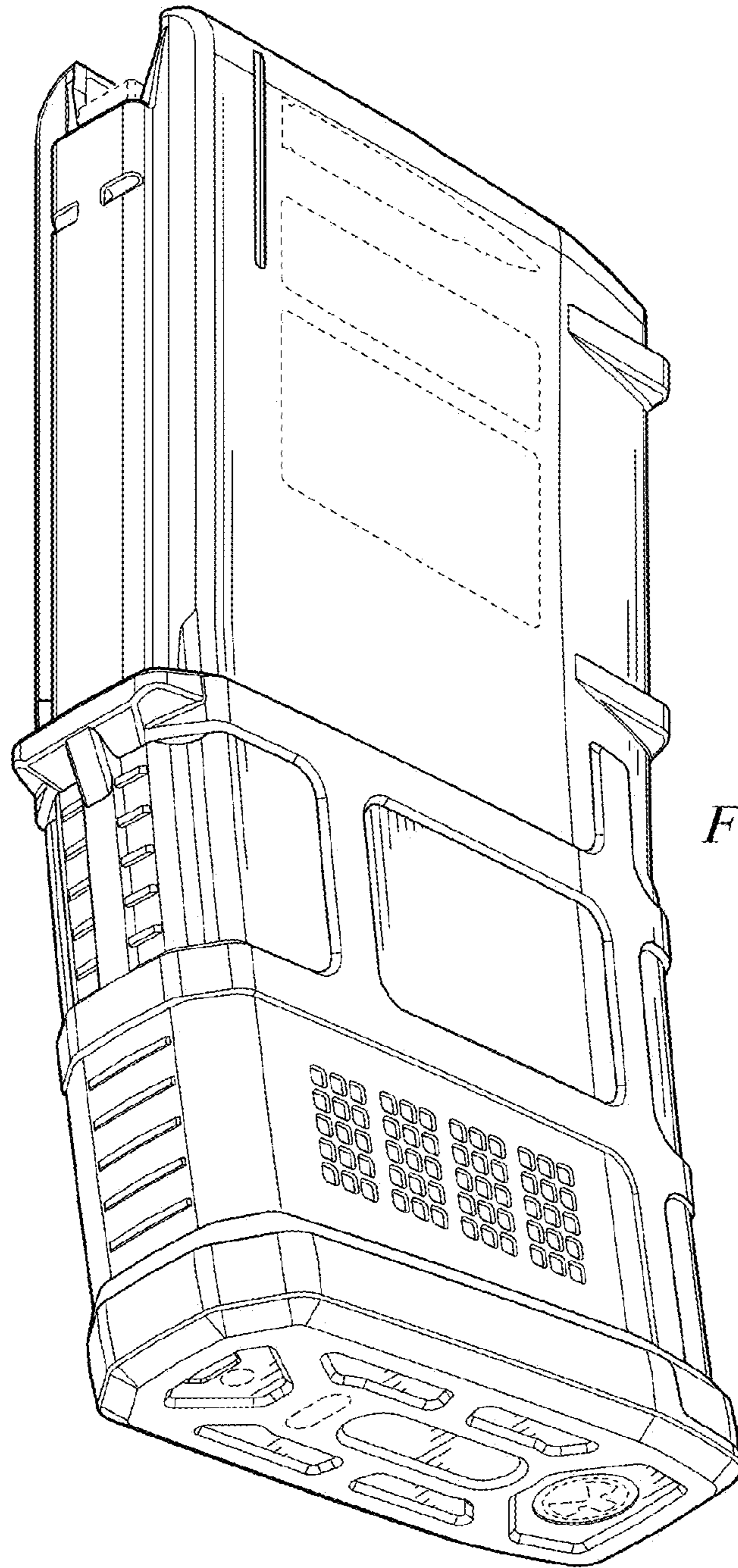


FIG. 8