



US00D691232S

(12) **United States Design Patent**  
**Khoshnood et al.**

(10) **Patent No.:** **US D691,232 S**  
(45) **Date of Patent:** **\*\* Oct. 8, 2013**

(54) **ARCHERY BOW VIBRATION AND NOISE  
DAMPENING DEVICE**

(76) Inventors: **Bahram Khoshnood**, Alpharetta, GA  
(US); **David Lee Potts**, New  
Philadelphia, OH (US)

(\*\*) Term: **14 Years**

(21) Appl. No.: **29/395,626**

(22) Filed: **Mar. 5, 2012**

(51) **LOC (9) Cl.** ..... **22-01**

(52) **U.S. Cl.**  
USPC ..... **D22/107**

(58) **Field of Classification Search**  
USPC ..... D22/107; 124/86-92  
See application file for complete search history.

(56) **References Cited**

U.S. PATENT DOCUMENTS

D226,429	S *	3/1973	Christen	.....	D22/107
6,382,201	B1 *	5/2002	McPherson et al.	.....	124/89
7,055,276	B2 *	6/2006	McPherson	.....	42/1.06
7,213,590	B2 *	5/2007	Pellerite	.....	124/89
7,331,886	B2 *	2/2008	Morris et al.	.....	473/578

8,038,133	B2 *	10/2011	McPherson	.....	267/140.4
D682,969	S *	5/2013	Khoshnood et al.	.....	D22/107
D682,970	S *	5/2013	Khoshnood et al.	.....	D22/107
D682,971	S *	5/2013	Khoshnood et al.	.....	D22/107
2012/0125308	A1 *	5/2012	Khoshnood et al.	.....	124/89
2012/0125309	A1 *	5/2012	Khoshnood	.....	124/89
2012/0125310	A1 *	5/2012	Khoshnood	.....	124/89

\* cited by examiner

*Primary Examiner* — Michael A Pratt

(74) *Attorney, Agent, or Firm* — Rodgers & Rodgers

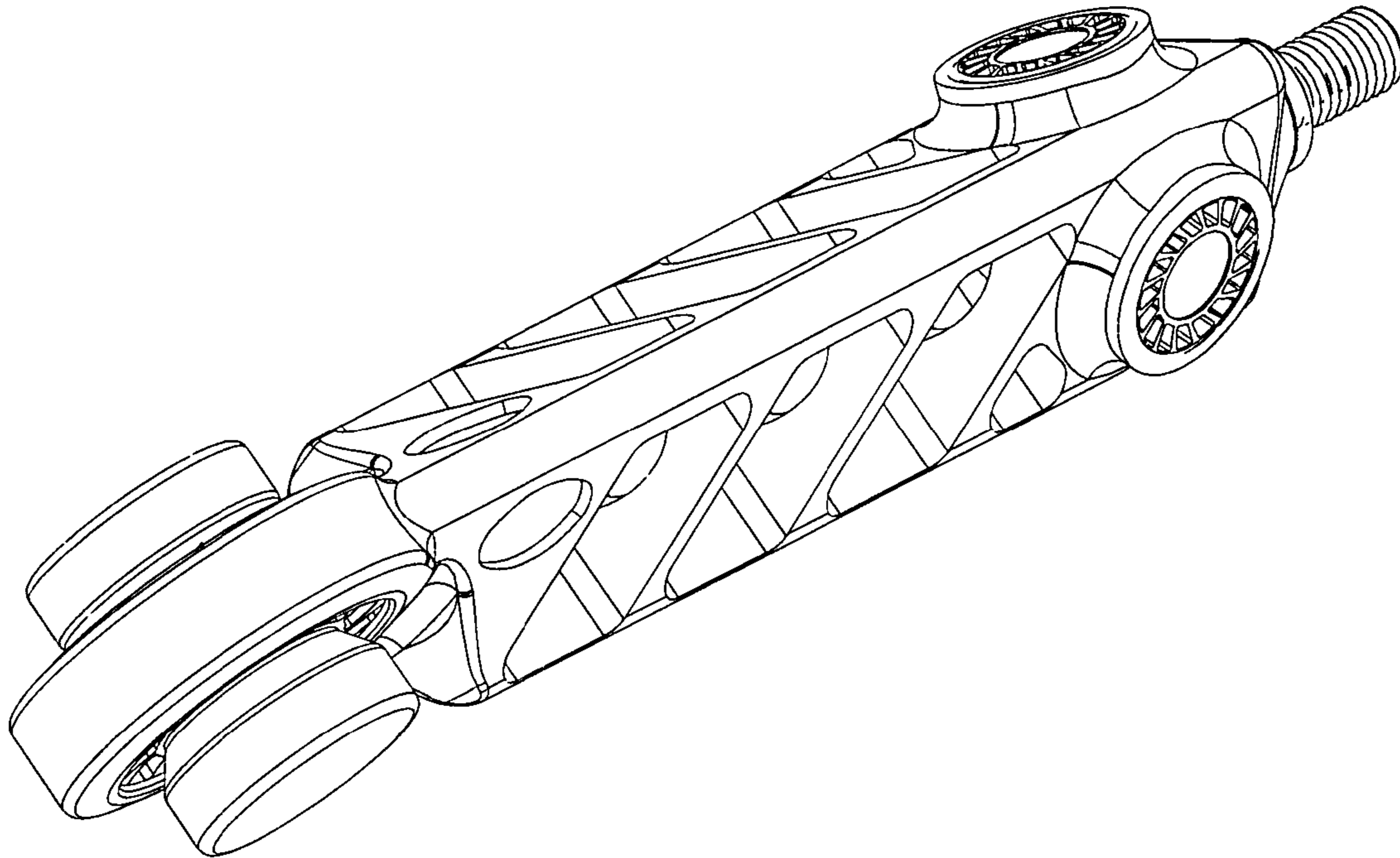
(57) **CLAIM**

The ornamental design for an archery bow vibration and noise dampening device, as shown and described.

**DESCRIPTION**

FIG. 1 is a perspective view of an archery bow vibration and noise dampening device showing our new design; FIG. 2 is a rear elevational view thereof; FIG. 3 is a front elevational view thereof; FIG. 4 is a left-side elevational view thereof; FIG. 5 is right-side elevational view thereof; FIG. 6 is a bottom plan view thereof; and, FIG. 7 is a top plan view thereof.

**1 Claim, 7 Drawing Sheets**



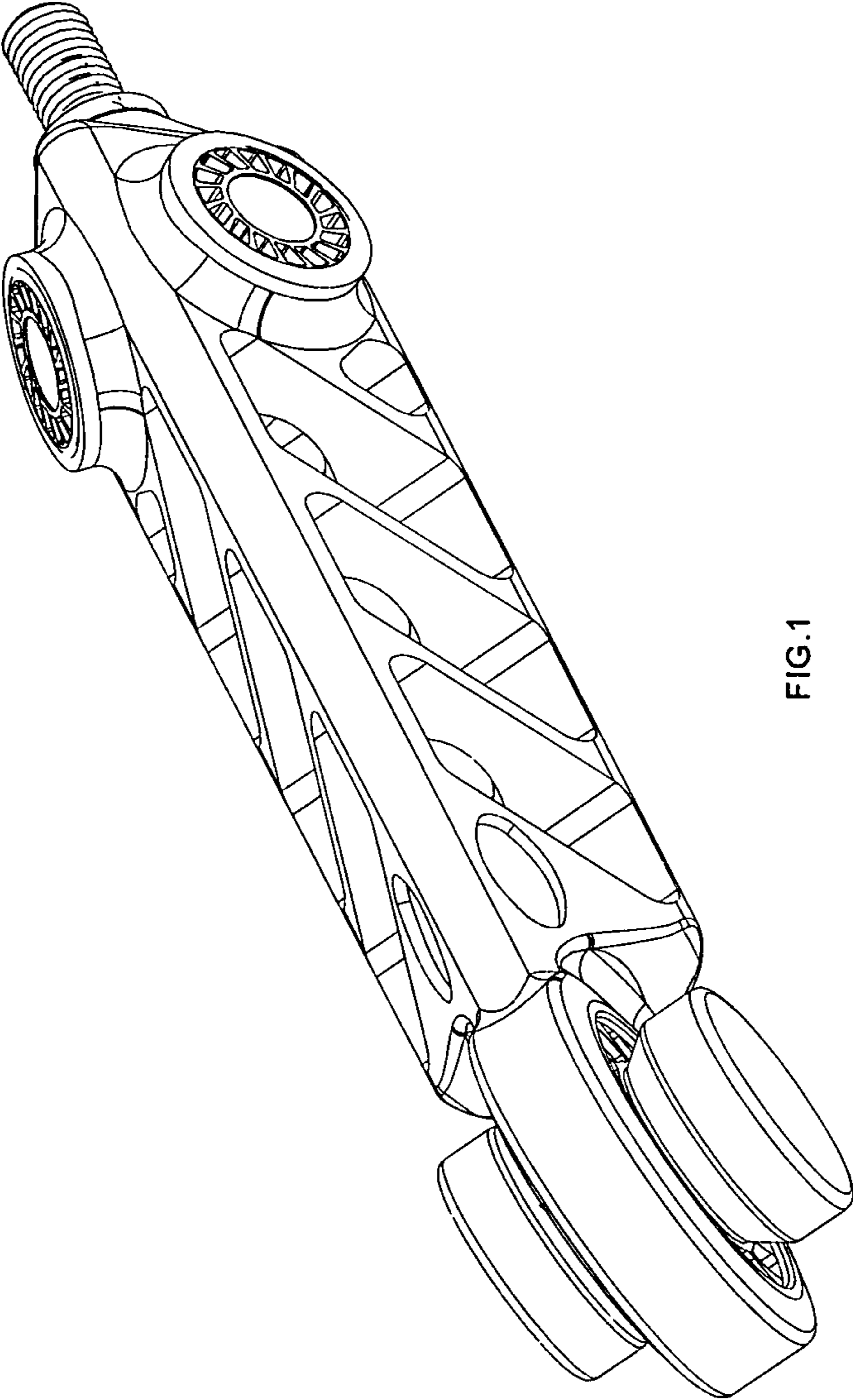


FIG.1

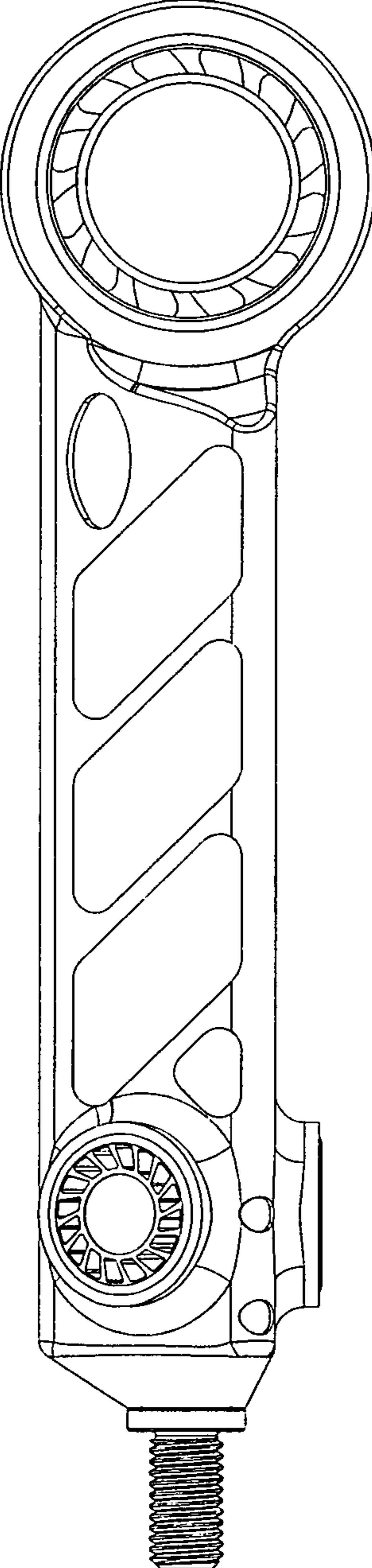


FIG.2

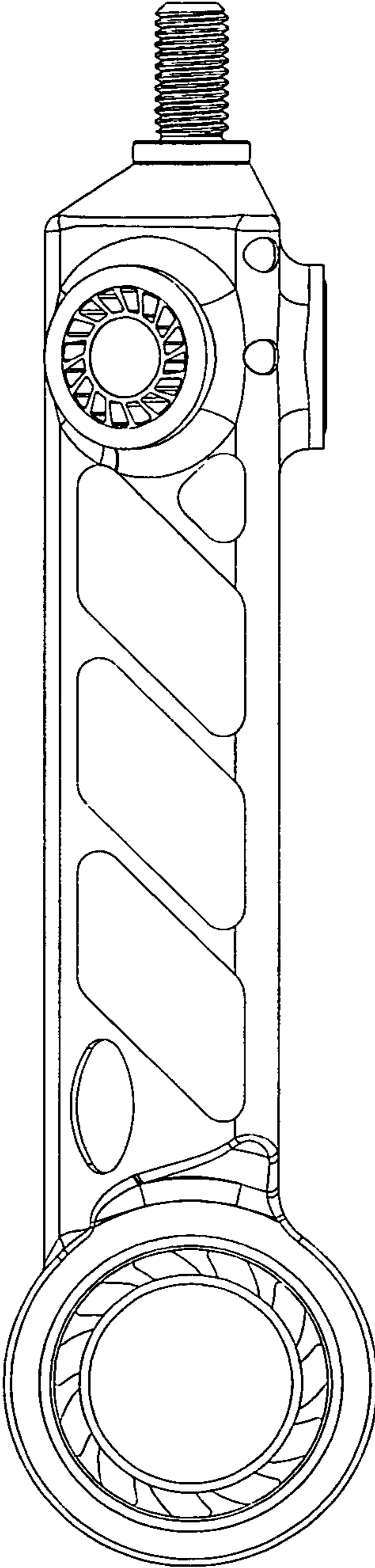


FIG.3

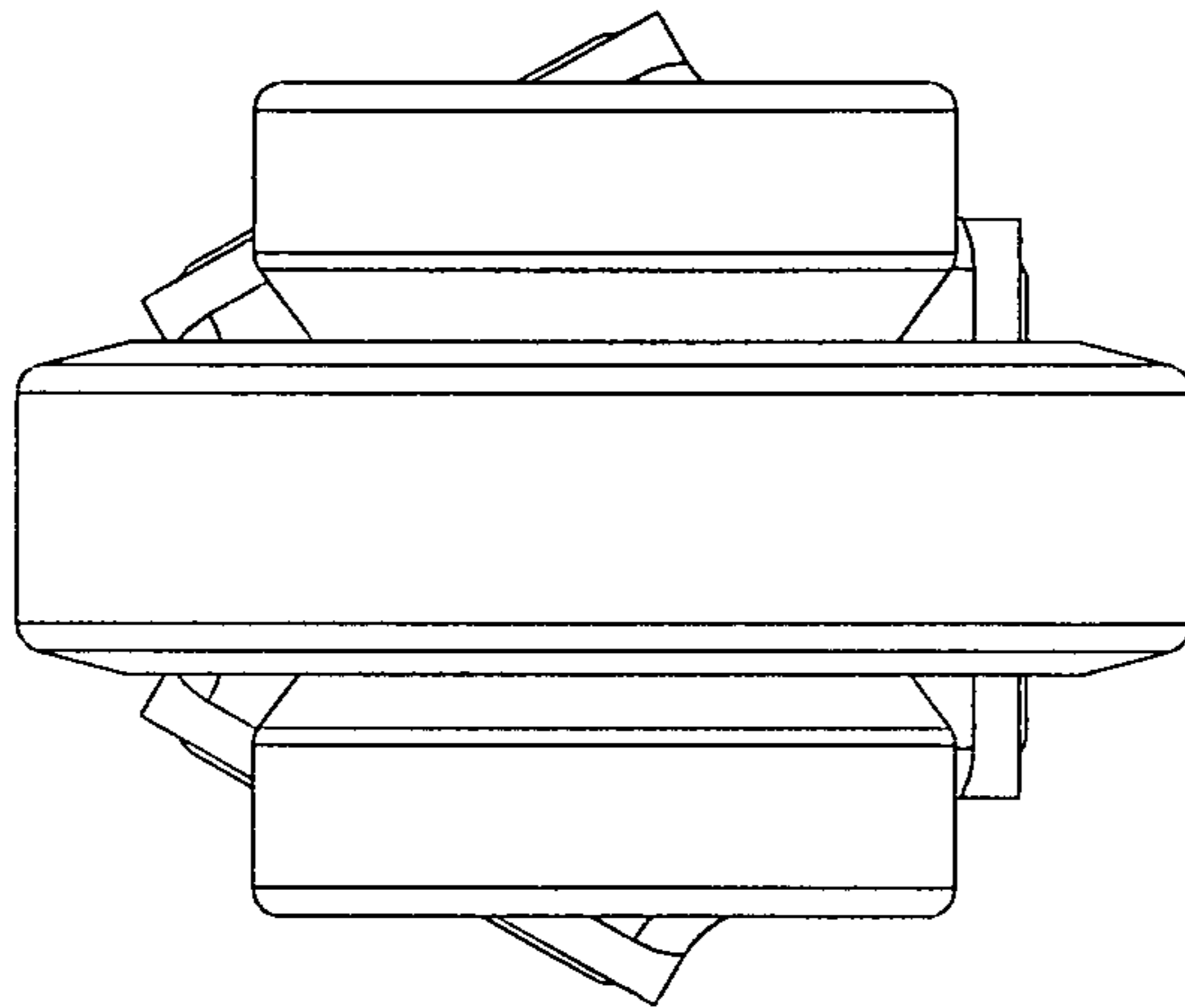


FIG.4

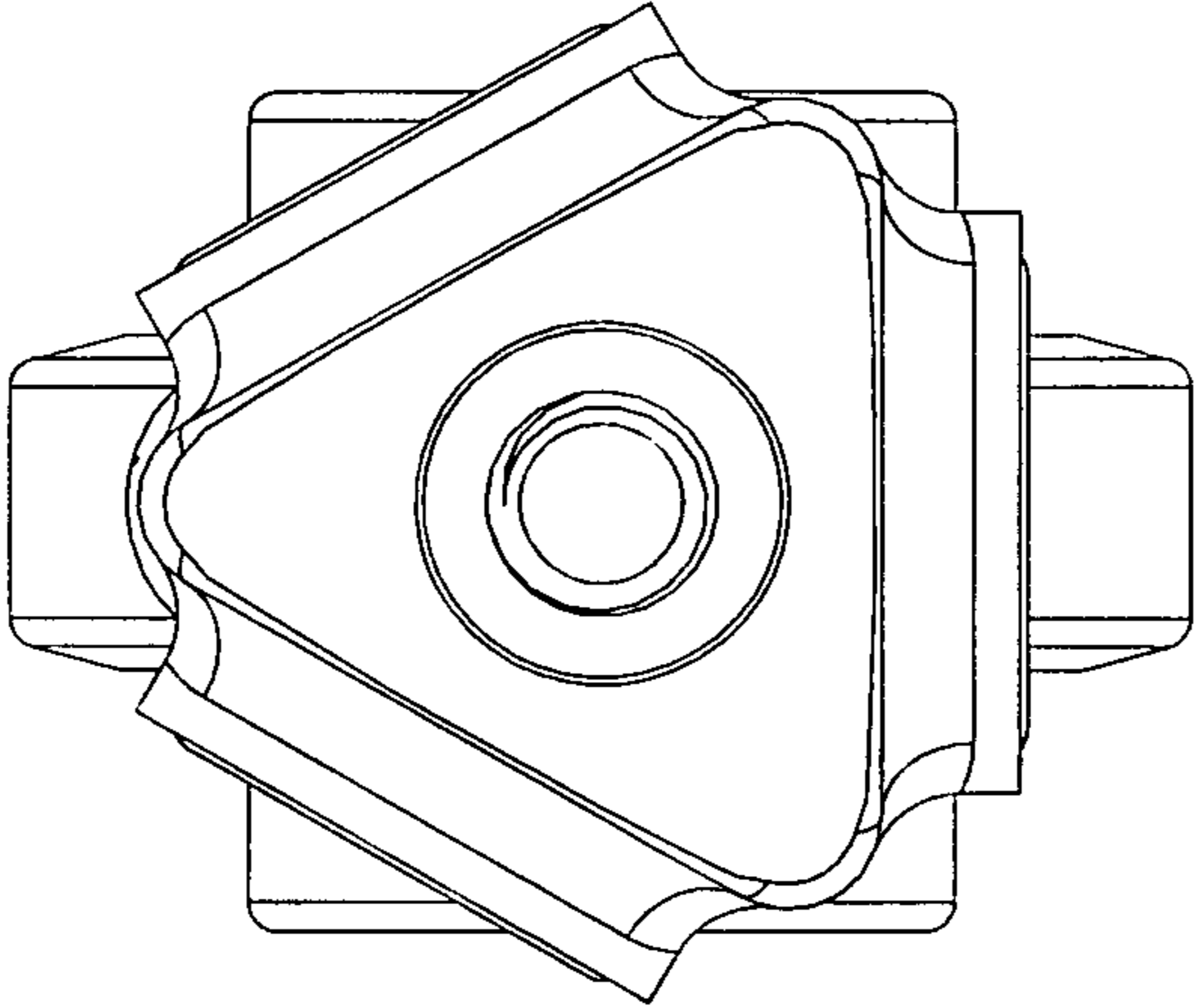


FIG.5

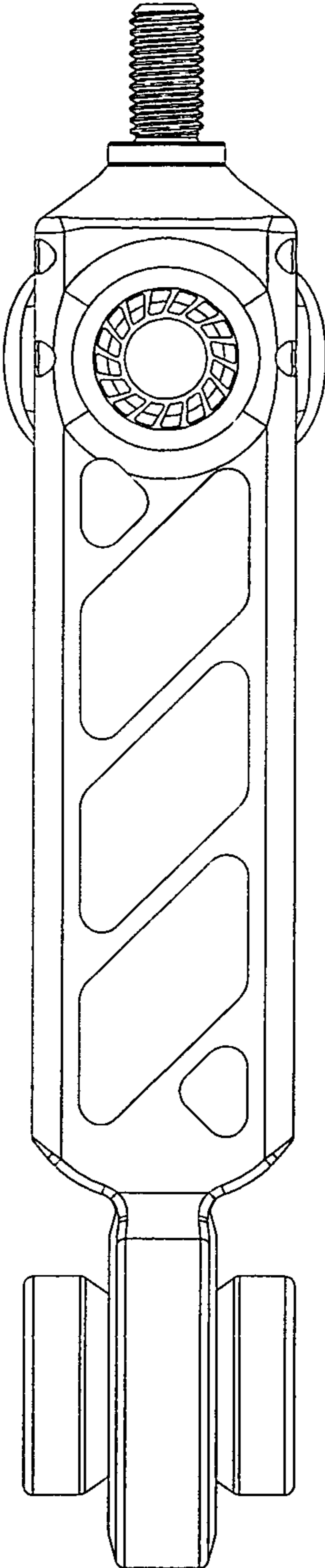


FIG. 6

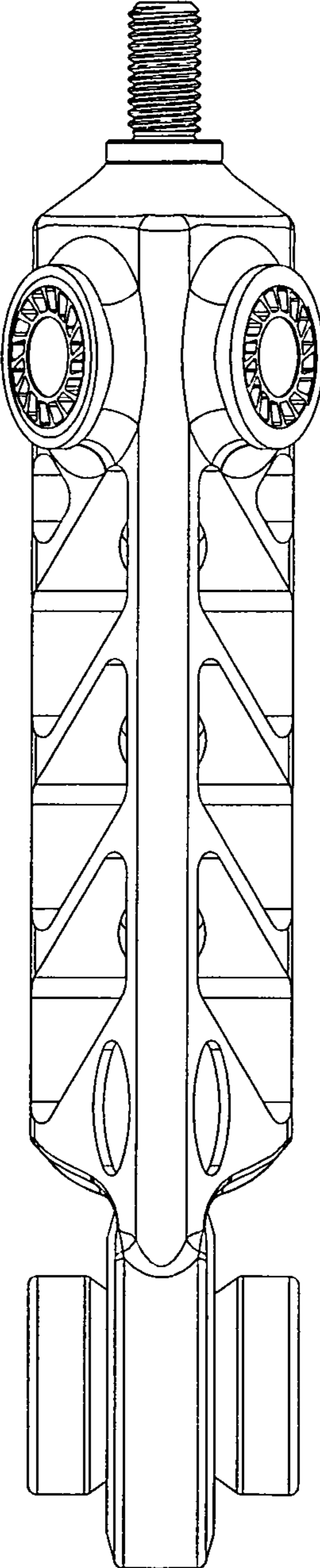


FIG. 7