



US00D691226S

(12) **United States Design Patent**  
**Hilton et al.**

(10) **Patent No.:** **US D691,226 S**

(45) **Date of Patent:** **\*\* Oct. 8, 2013**

(54) **PUTTER HEAD**

D590,461 S \* 4/2009 Kim et al. .... D21/743  
D591,807 S \* 5/2009 Rollinson ..... D21/744  
D621,458 S \* 8/2010 Serrano et al. .... D21/736

(75) Inventors: **Thomas R. Hilton**, Cardiff, CA (US);  
**Augustin W. Rollinson**, Carlsbad, CA  
(US)

\* cited by examiner

(73) Assignee: **Callaway Golf Company**, Carlsbad, CA  
(US)

*Primary Examiner* — Mitchell Siegel

(74) *Attorney, Agent, or Firm* — Rebecca Hanovice;  
Michael A. Catania; Sonia Lari

(\*\*) Term: **14 Years**

(57) **CLAIM**

The ornamental design for a putter head, as shown and described.

(21) Appl. No.: **29/430,981**

**DESCRIPTION**

(22) Filed: **Aug. 31, 2012**

(51) **LOC (9) Cl.** ..... **21-02**

(52) **U.S. Cl.**  
USPC ..... **D21/746**

(58) **Field of Classification Search**  
USPC ..... D21/735–746, 759; 473/324–331,  
473/340–341, 251–256  
See application file for complete search history.

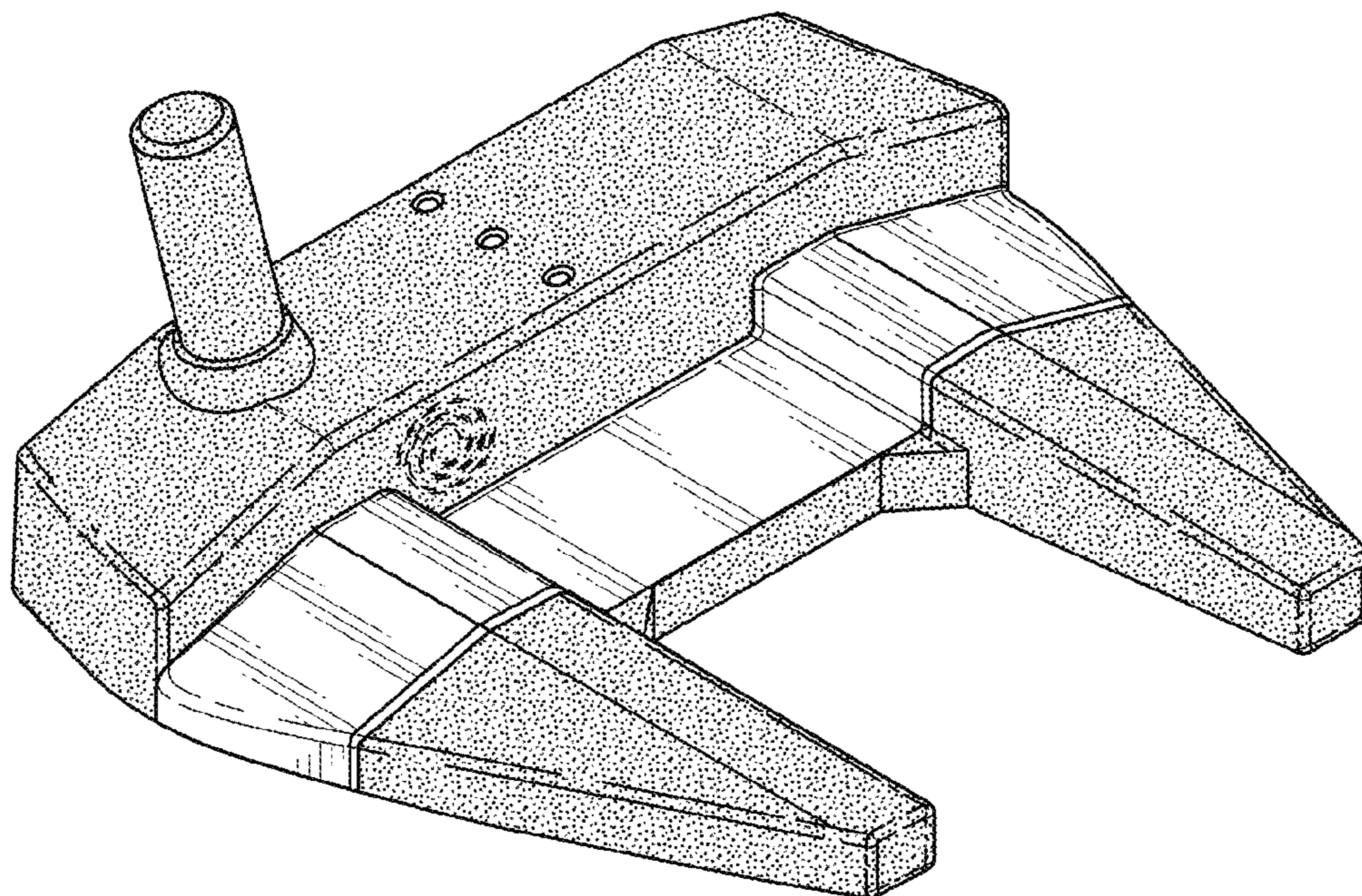
FIG. 1 is a rear perspective view of a first embodiment of a putter head as claimed herein;  
FIG. 2 is a rear view thereof;  
FIG. 3 is a front view thereof;  
FIG. 4 is a right side view thereof;  
FIG. 5 is a left side view thereof;  
FIG. 6 is a top plan view thereof;  
FIG. 7 is a bottom plan view thereof;  
FIG. 8 is a rear perspective view of a second embodiment of a putter head as claimed herein;  
FIG. 9 is a rear plan thereof;  
FIG. 10 is a front plan thereof;  
FIG. 11 is a right side view thereof;  
FIG. 12 is a left side view thereof;  
FIG. 13 is a top plan view thereof; and,  
FIG. 14 is a bottom plan view thereof.  
The broken lines are included for the purpose of illustration and form no part of the claimed design.

(56) **References Cited**

**U.S. PATENT DOCUMENTS**

4,741,535 A \* 5/1988 Leonhardt ..... 473/252  
D323,867 S \* 2/1992 Rizzotto ..... D21/740  
5,997,409 A \* 12/1999 Mattson ..... 473/244  
D421,471 S \* 3/2000 Moldovan ..... D21/744  
D436,638 S \* 1/2001 Carrier ..... D21/744  
D532,844 S \* 11/2006 Rollinson ..... D21/736  
D532,845 S \* 11/2006 Rollinson ..... D21/736  
D574,908 S \* 8/2008 Hettinger et al. .... D21/743  
D582,497 S \* 12/2008 Rollinson ..... D21/744

**1 Claim, 8 Drawing Sheets**



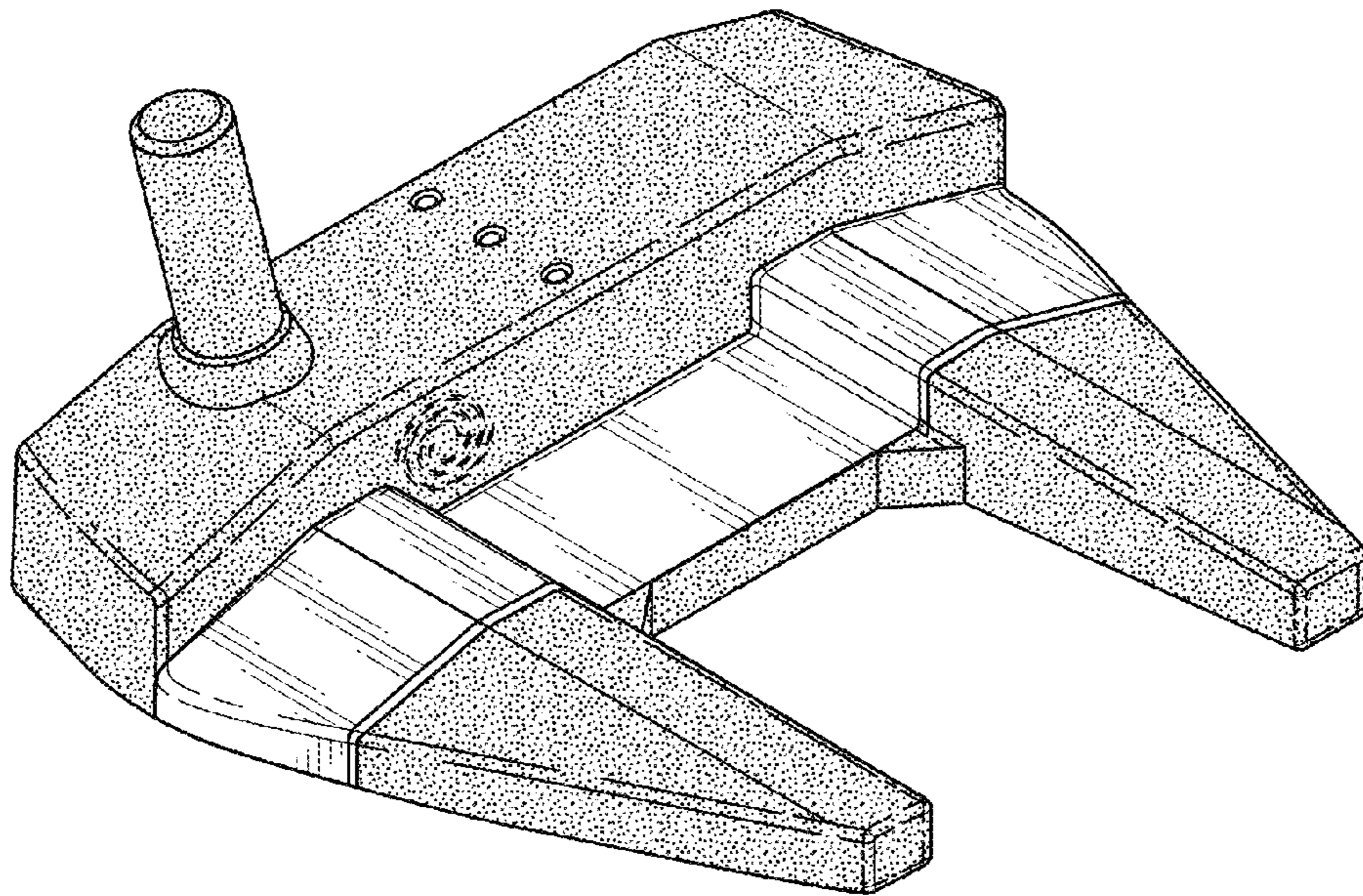


FIG. 1

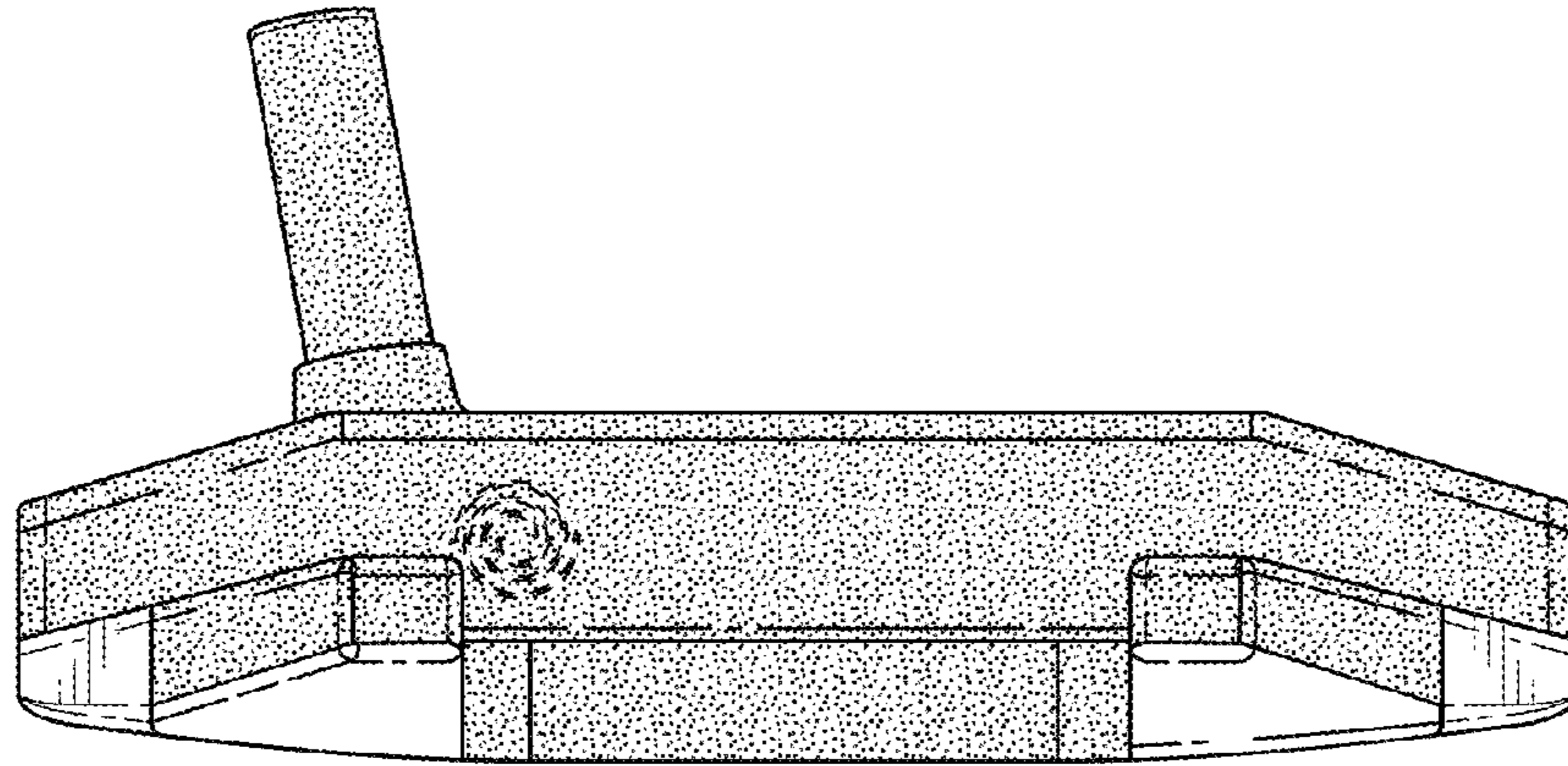


FIG. 2

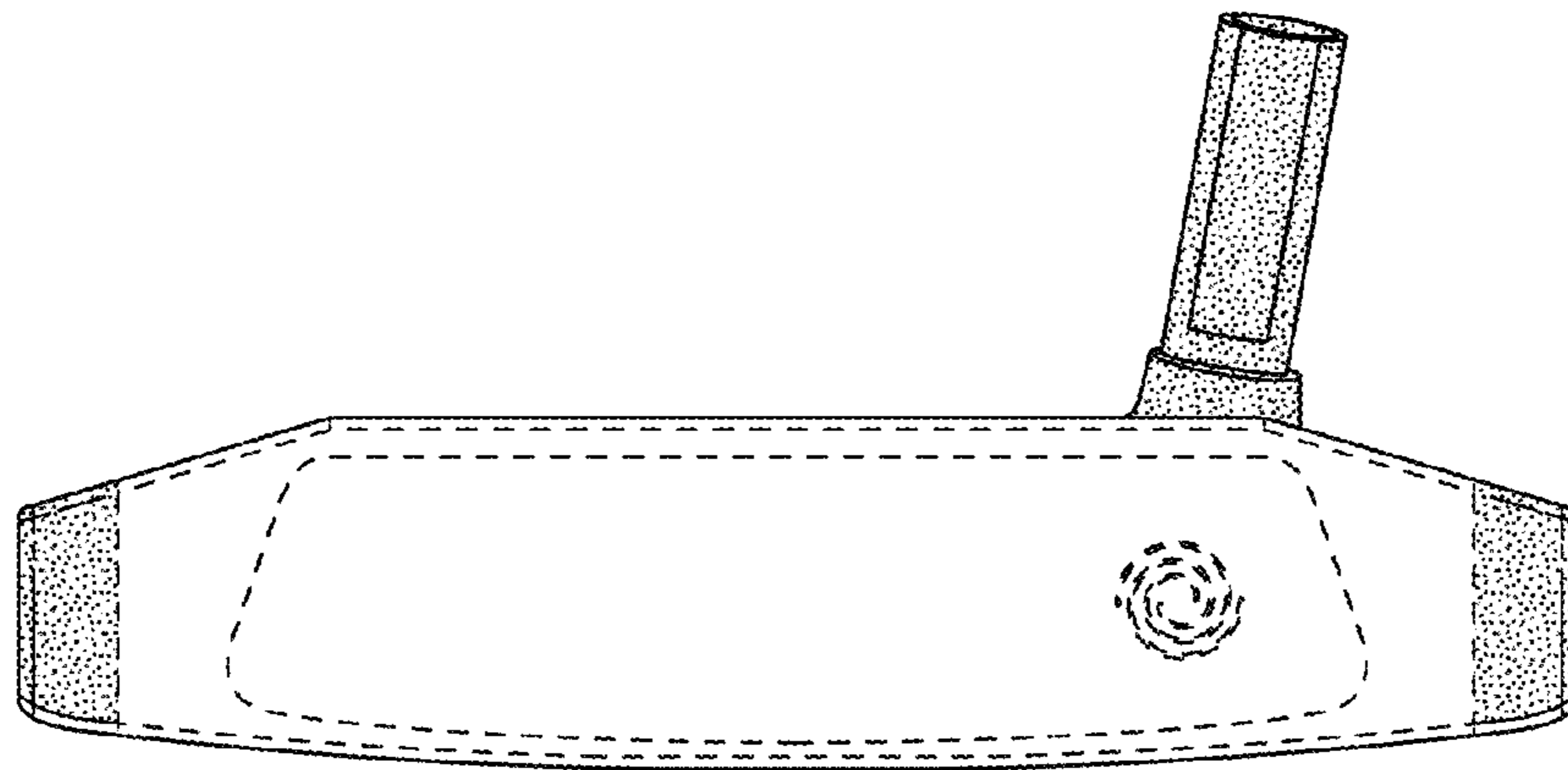


FIG. 3

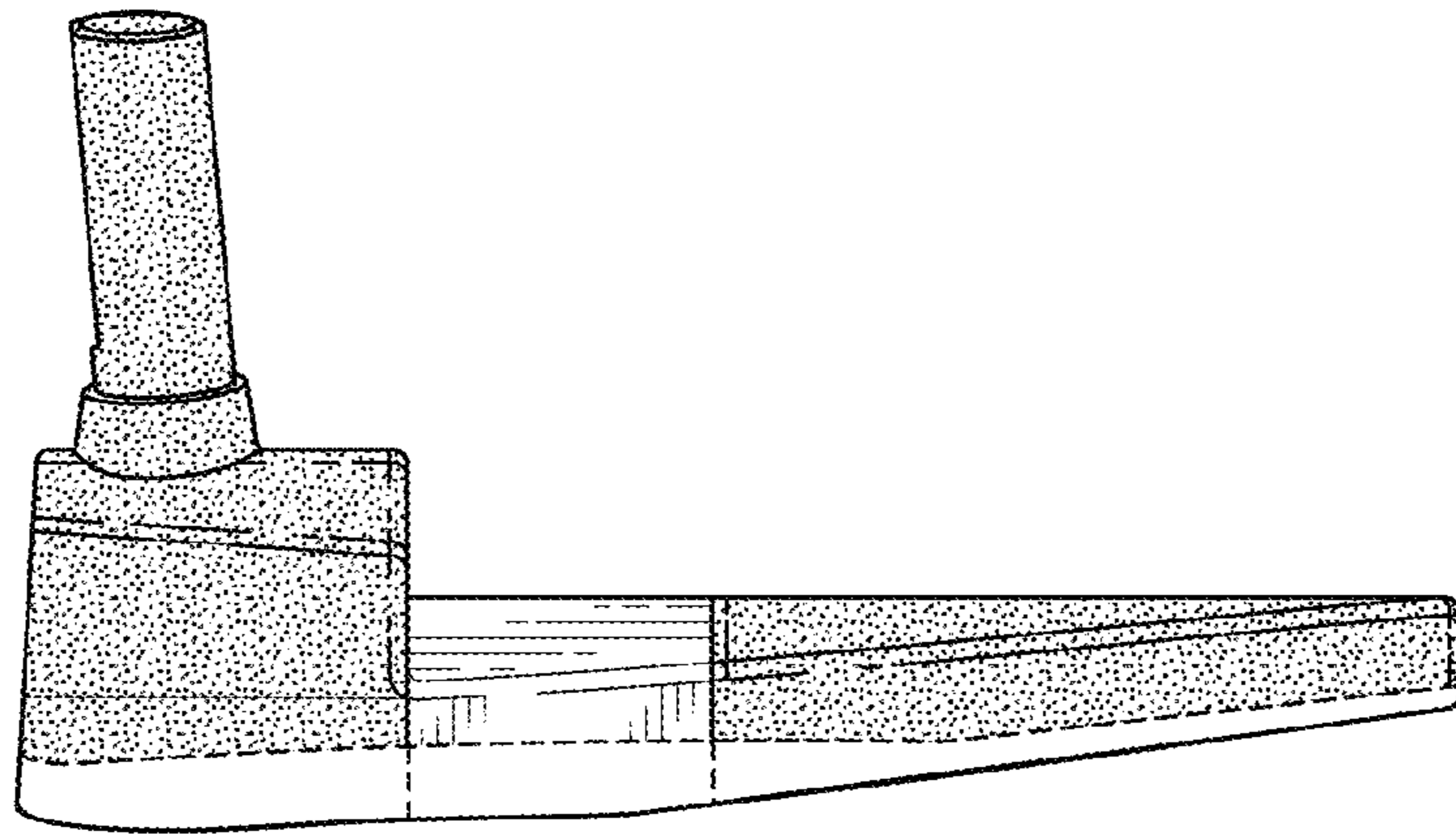


FIG. 4

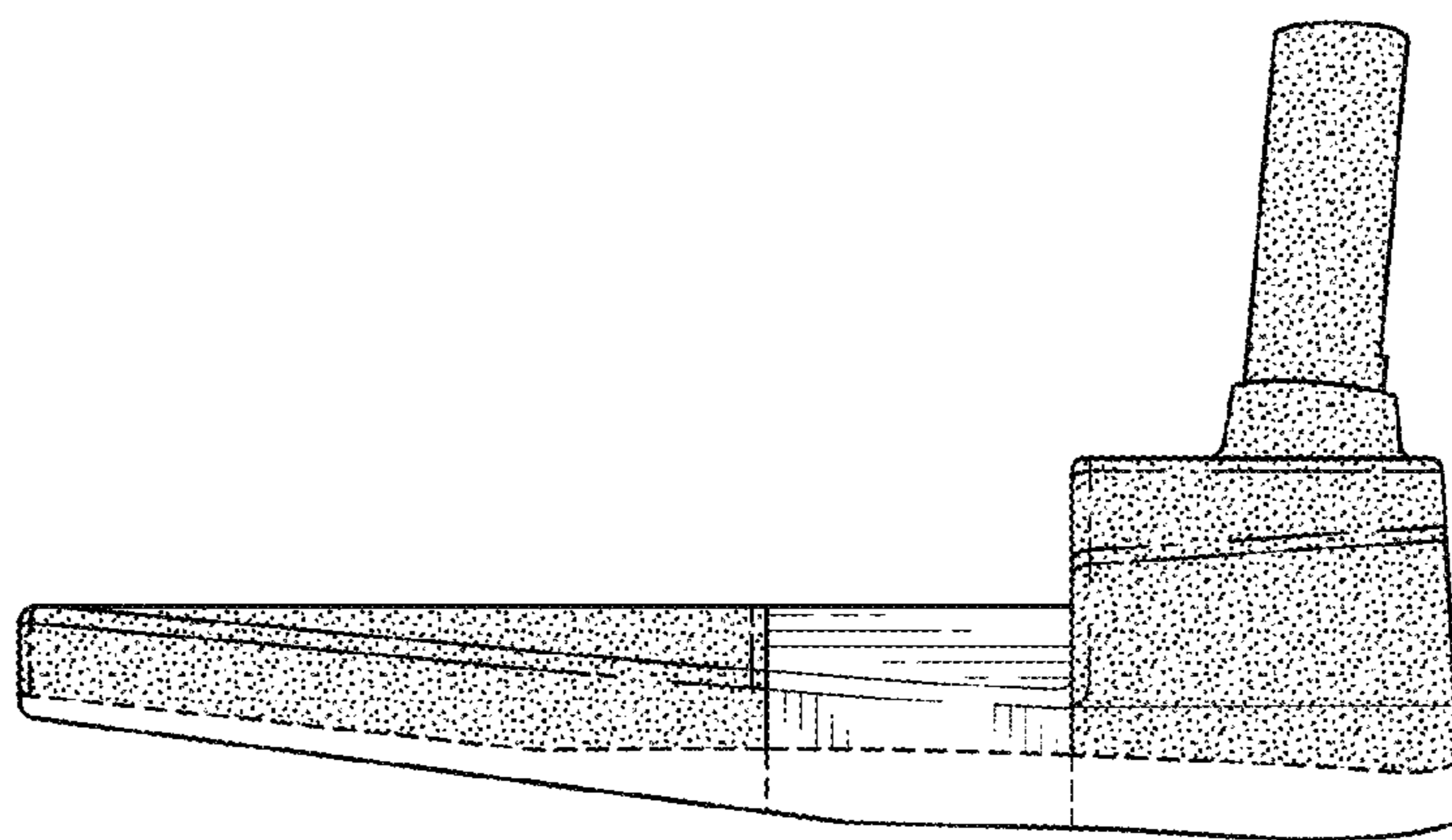


FIG. 5

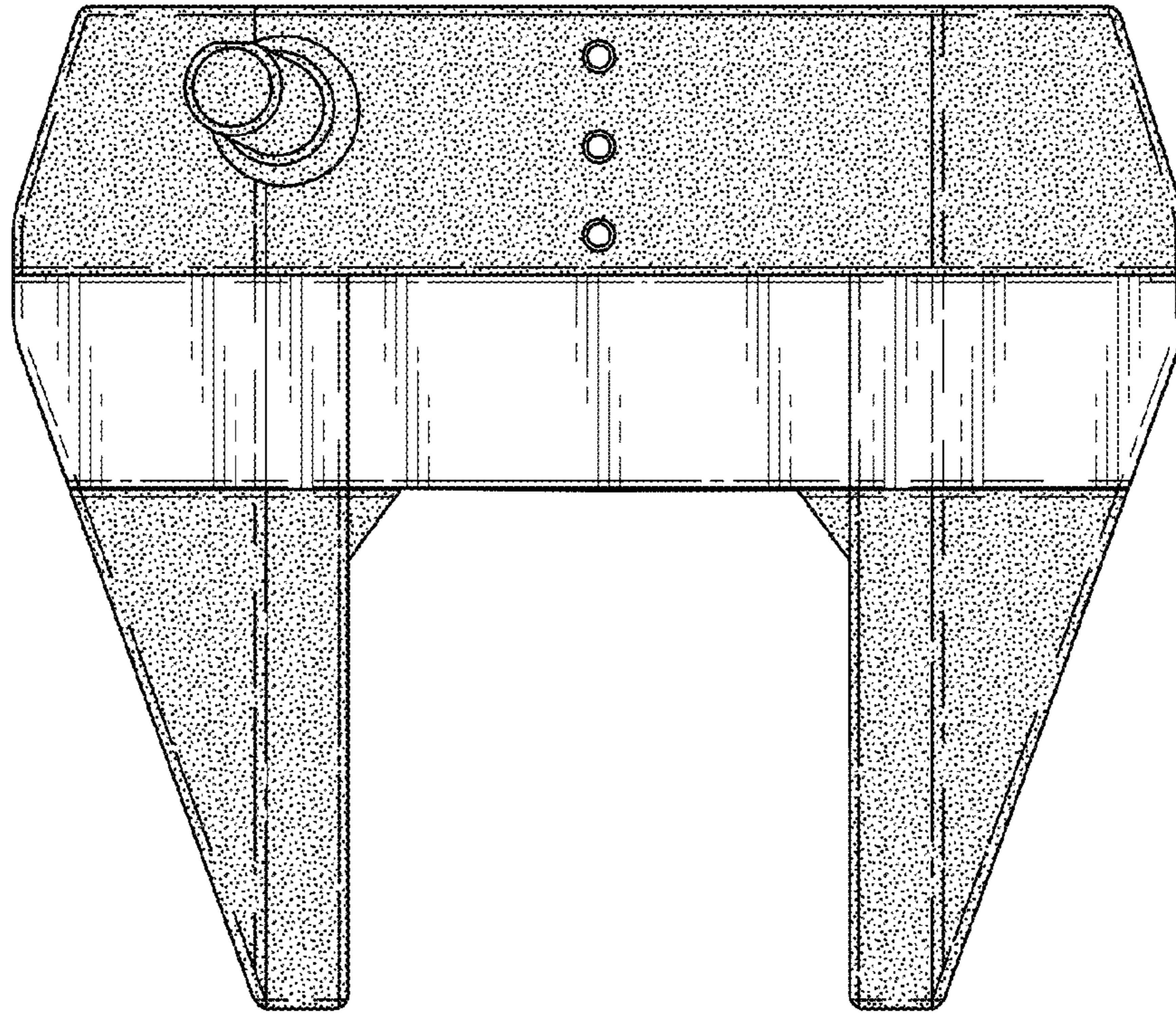


FIG. 6

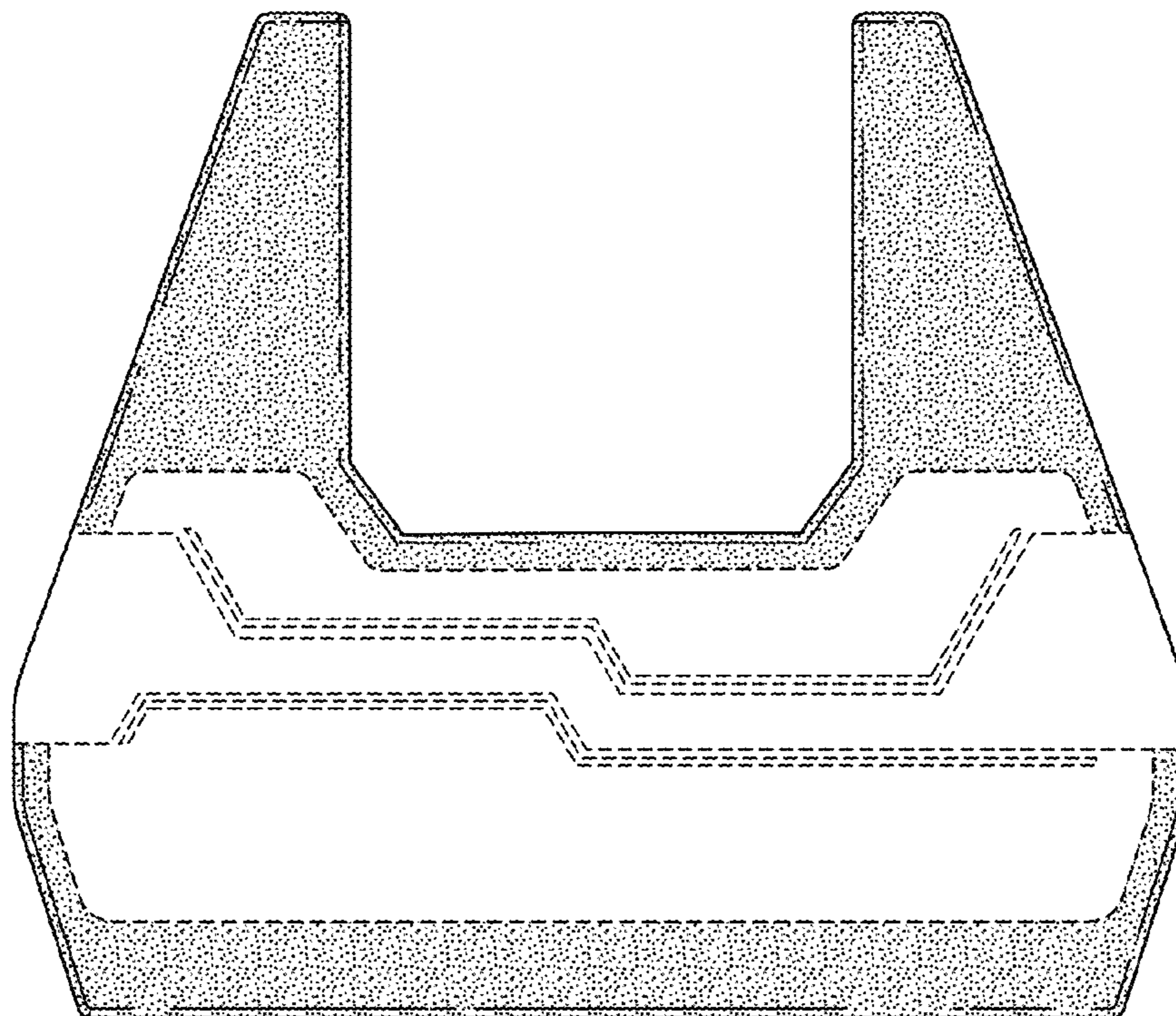


FIG. 7

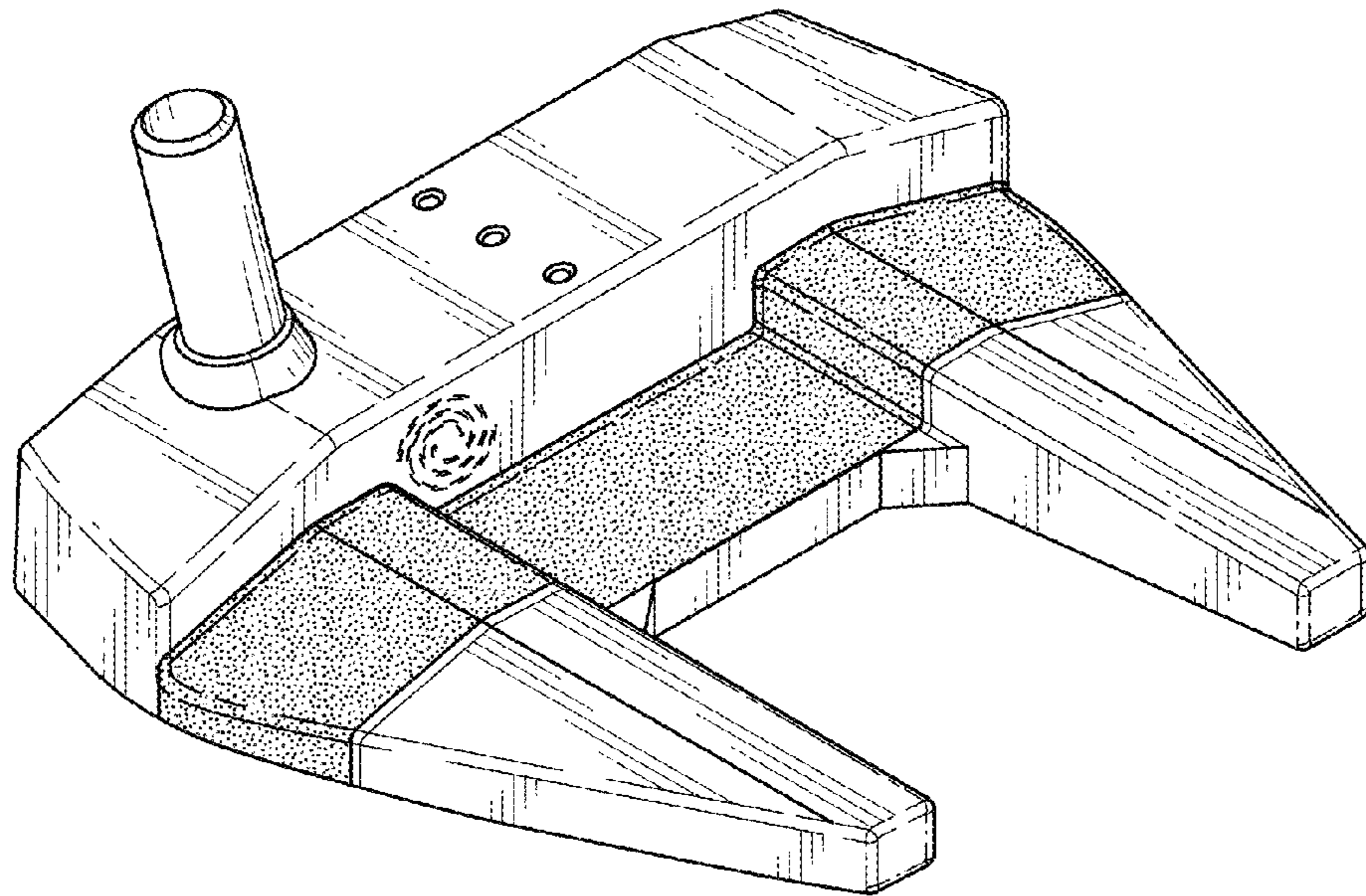


FIG. 8

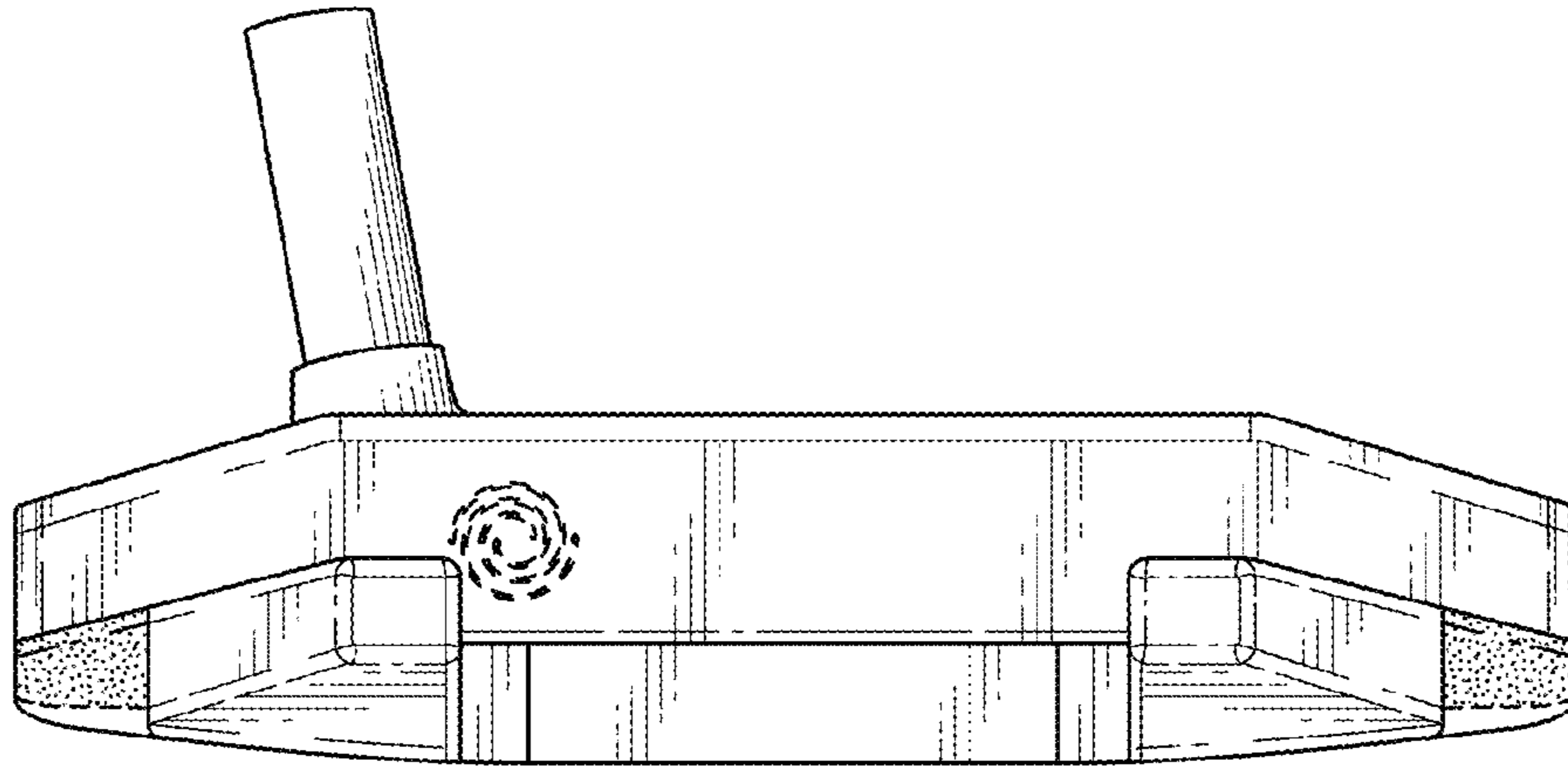


FIG. 9

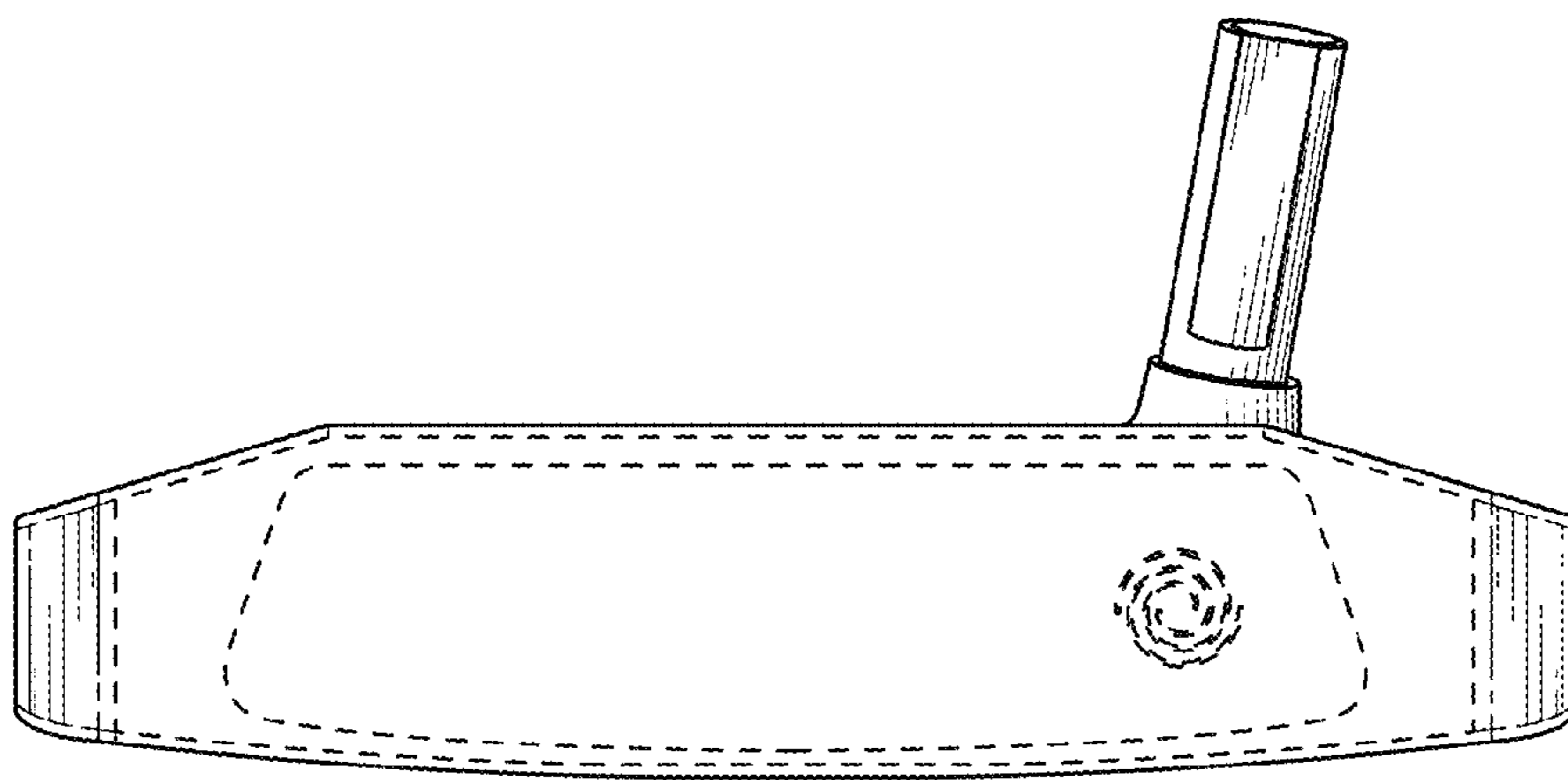


FIG. 10

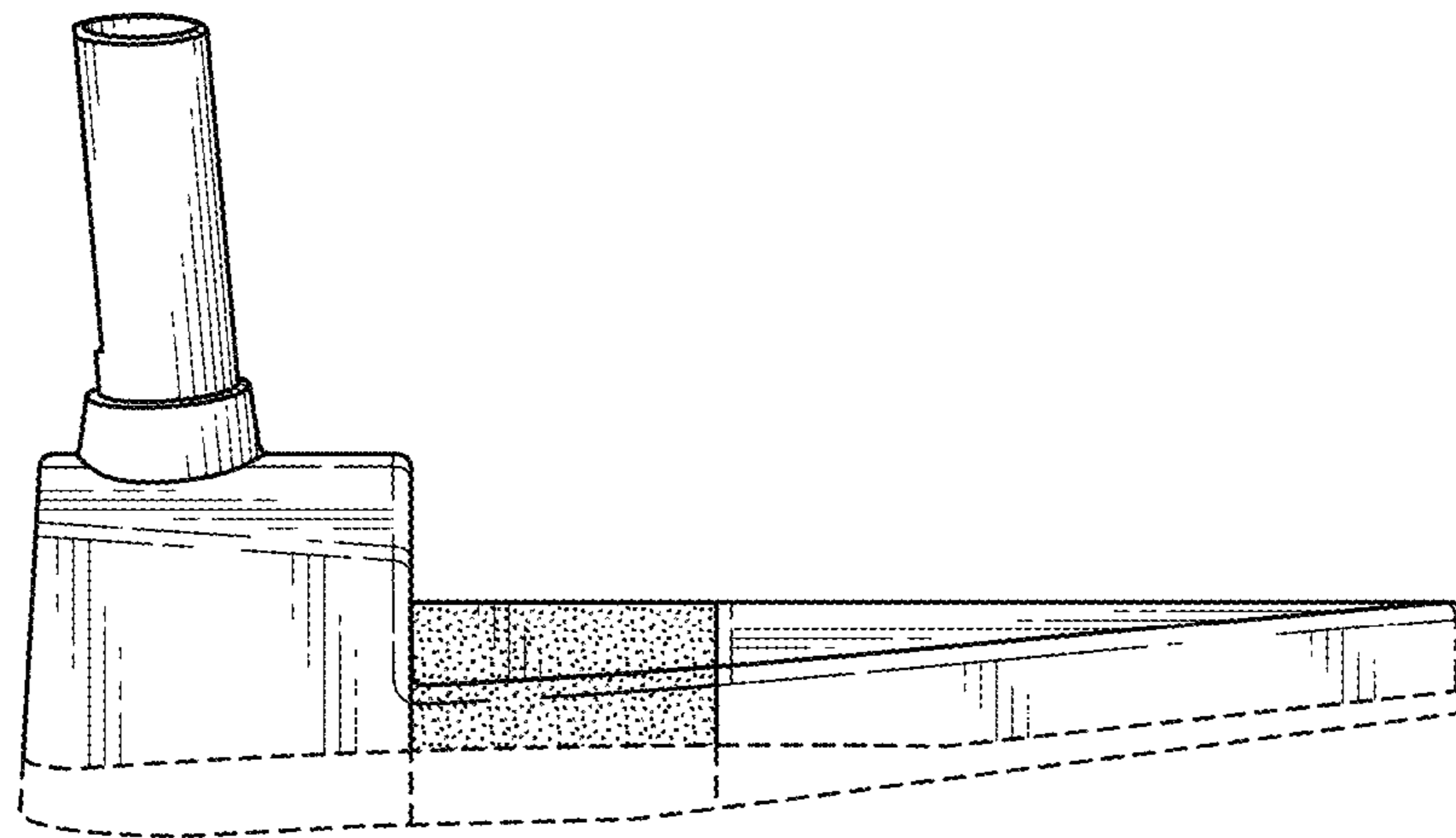


FIG. 11

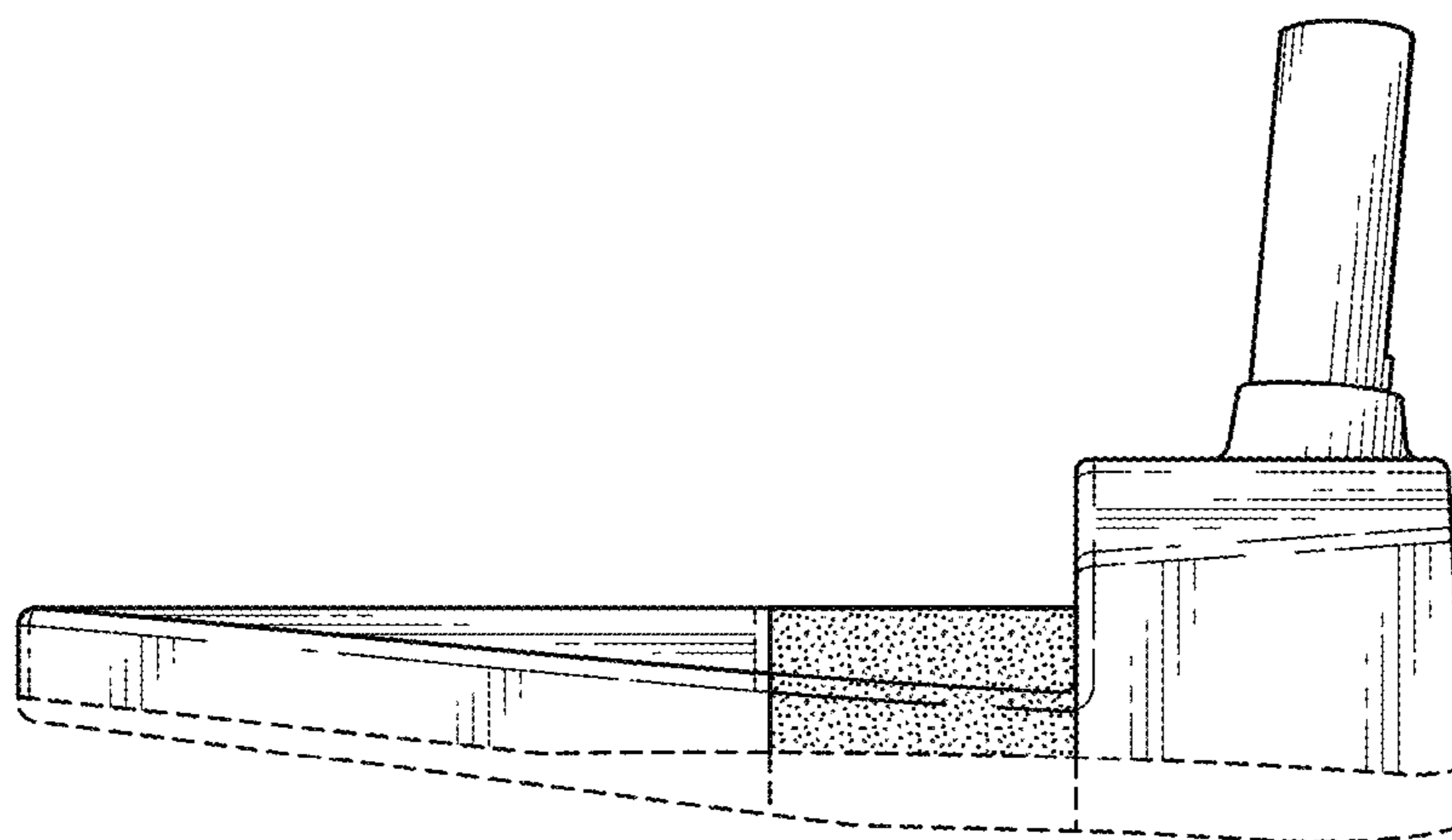


FIG. 12



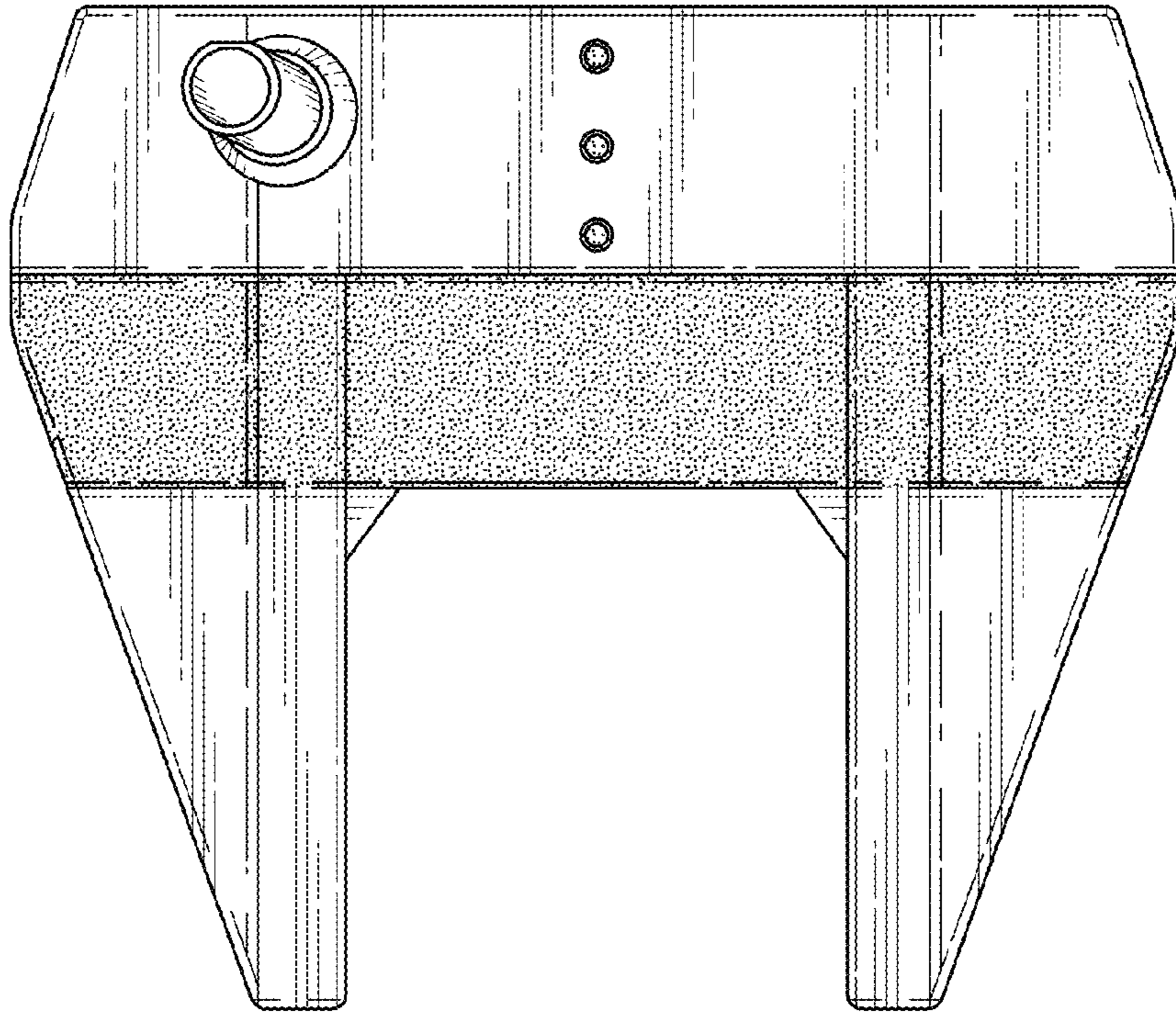


FIG. 13

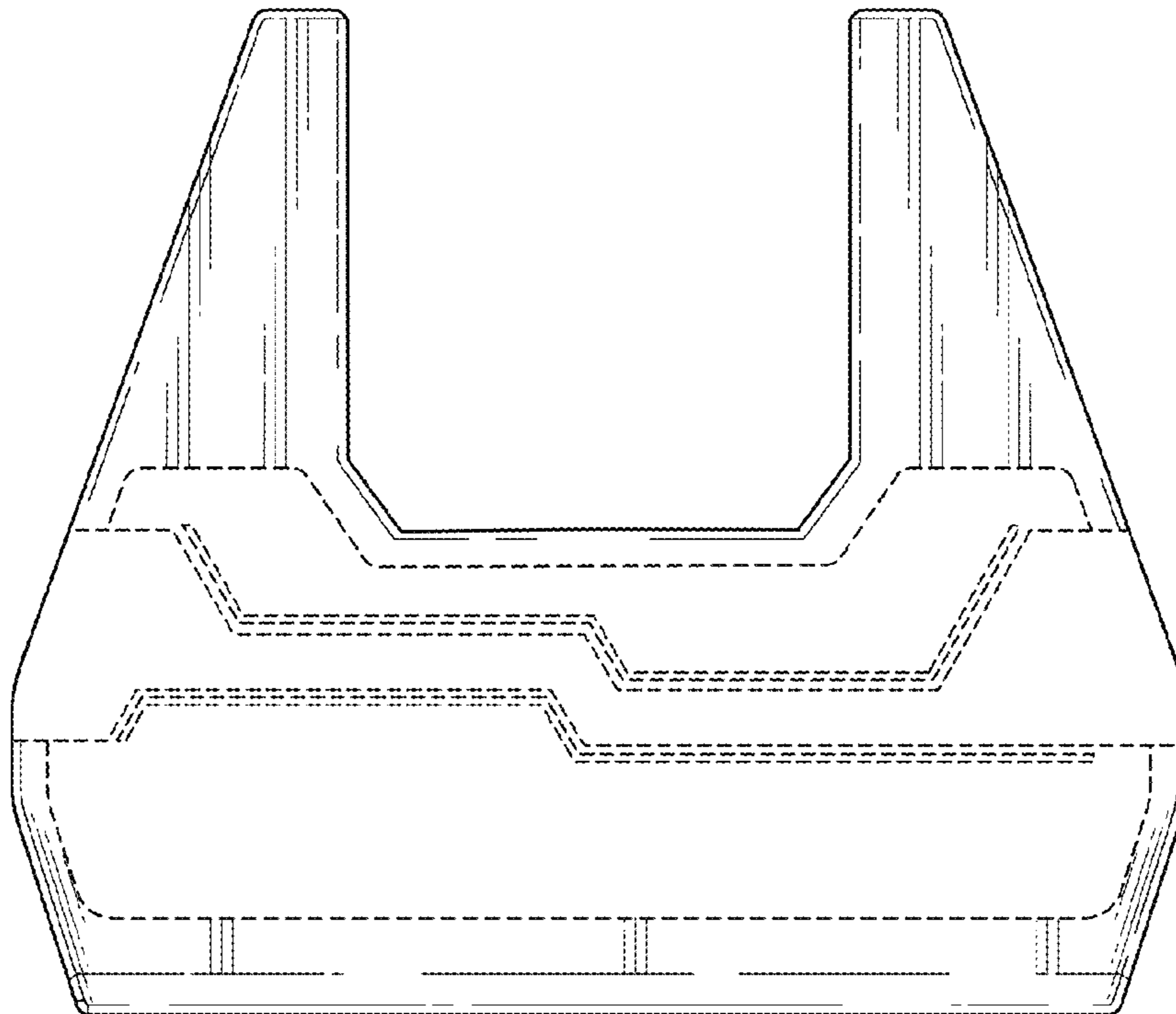


FIG. 14