



US00D691223S

(12) **United States Design Patent**  
**Hao**

(10) **Patent No.:** **US D691,223 S**  
(45) **Date of Patent:** **\*\* Oct. 8, 2013**

- (54) **WORKTABLE FOR AN EXERCISING APPARATUS**
- (71) Applicant: **Dyaco International Inc.**, Taipei (TW)
- (72) Inventor: **Kuo-Wo Hao**, Hemei Town, Changhua County (TW)
- (73) Assignee: **Dyaco International Inc.**, Taipei (TW)
- (\*\*) Term: **14 Years**
- (21) Appl. No.: **29/432,913**
- (22) Filed: **Sep. 21, 2012**
- (30) **Foreign Application Priority Data**

Mar. 23, 2012 (CN) ..... 2012 3 0072869

- (51) **LOC (9) Cl.** ..... **21-02**
- (52) **U.S. Cl.**  
USPC ..... **D21/694; D6/656.16**

- (58) **Field of Classification Search**  
USPC ..... D21/662, 673, 676, 686, 690, 694;  
D6/656, 656.13, 656.16, 656.17, 686, 691,  
D6/691.8; 482/51-54, 92, 138, 142, 148;  
108/115, 118, 125, 144.11, 147.19  
See application file for complete search history.

(56) **References Cited**

**U.S. PATENT DOCUMENTS**

D235,834 S *	7/1975	Payne	.....	D6/483
5,813,947 A *	9/1998	Densmore	.....	482/51
D435,366 S *	12/2000	McClintock et al.	.....	D6/480
6,224,516 B1 *	5/2001	Disch	.....	482/54
6,283,896 B1 *	9/2001	Grunfeld et al.	.....	482/54

6,418,860 B1 *	7/2002	Hinderhofer	.....	108/50.01
D474,356 S *	5/2003	Bosman et al.	.....	D6/487
6,578,500 B2 *	6/2003	Malizia	.....	108/115
6,645,126 B1 *	11/2003	Martin et al.	.....	482/54
7,614,991 B2 *	11/2009	Fox	.....	483/54
D604,963 S *	12/2009	Potter	.....	D6/480
7,780,578 B2 *	8/2010	Packham	.....	482/54
7,892,148 B1 *	2/2011	Stauffer et al.	.....	482/54
7,892,150 B1 *	2/2011	Colley	.....	482/54
D681,979 S *	5/2013	Keen et al.	.....	D6/691
2006/0247109 A1 *	11/2006	Powell	.....	482/148
2008/0096745 A1 *	4/2008	Perry	.....	482/148

\* cited by examiner

*Primary Examiner* — Susan E Krakower

(74) *Attorney, Agent, or Firm* — Muncy, Geissler, Olds & Lowe, PLLC

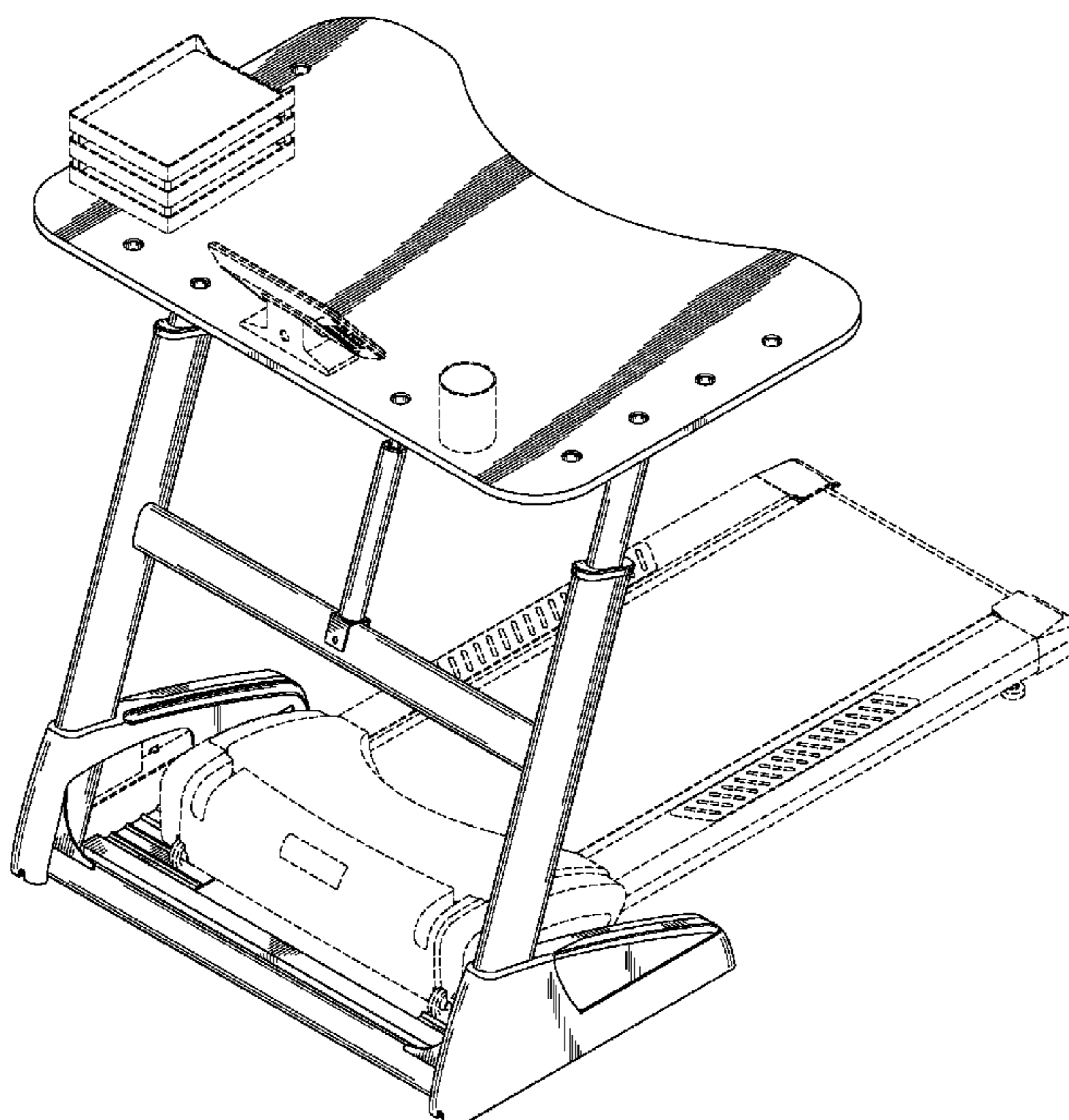
(57) **CLAIM**

The ornamental design for a worktable for an exercising apparatus, as shown and described.

**DESCRIPTION**

FIG. 1 shows a perspective view of the worktable for an exercise apparatus of the present design;  
 FIG. 2 shows a front view of the present design,  
 FIG. 3 shows a rear view of the present design.  
 FIG. 4 shows a left side view of the present design  
 FIG. 5 shows a right side view of the present design.  
 FIG. 6 shows a top view of the present design.  
 FIG. 7 shows a bottom view of the present design; and,  
 FIG. 8 shows a perspective view of the present design with a treadmill in condition of use.  
 The broken lines illustrate environmental structure and form no part of the claimed design.

**1 Claim, 8 Drawing Sheets**



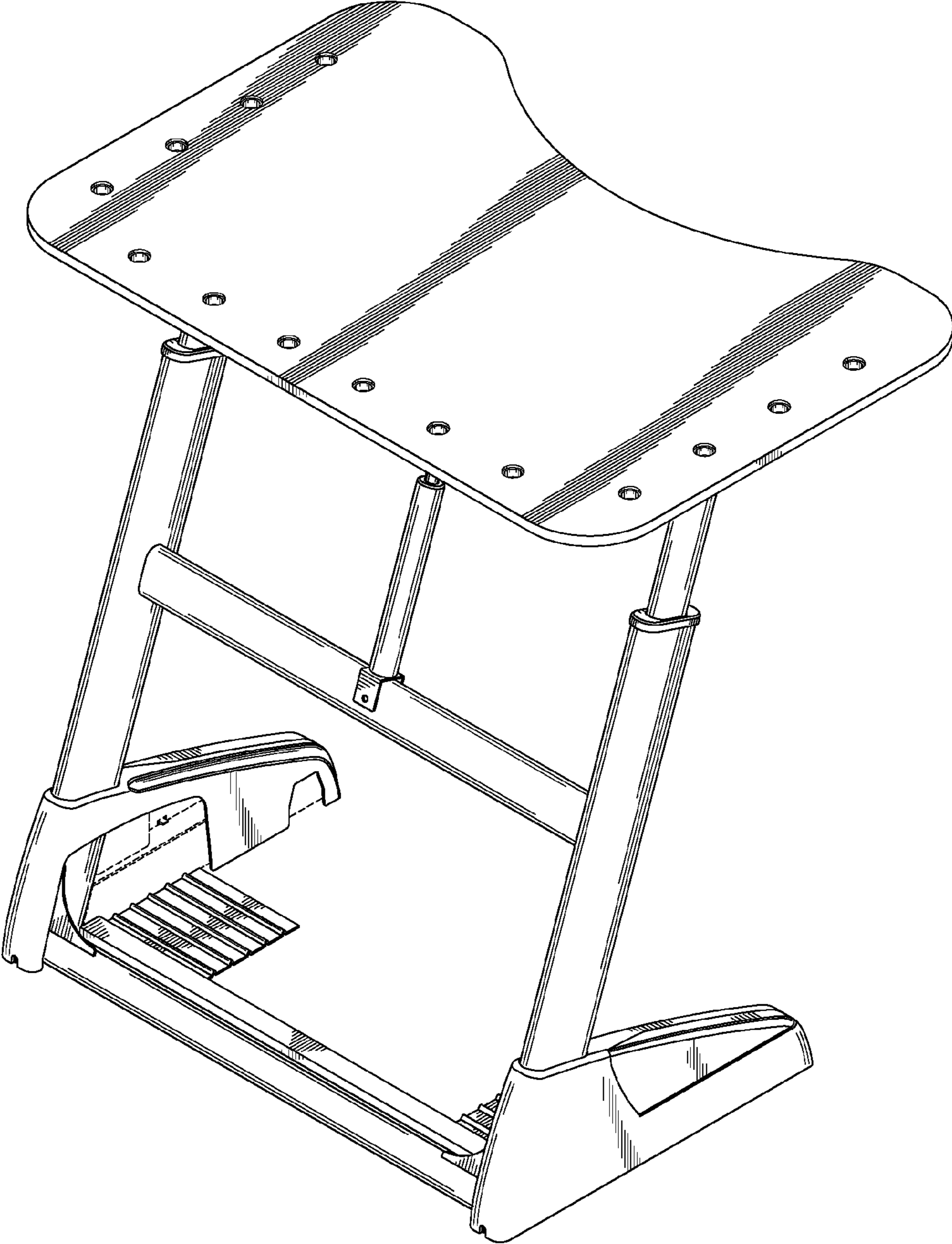


FIG. 1

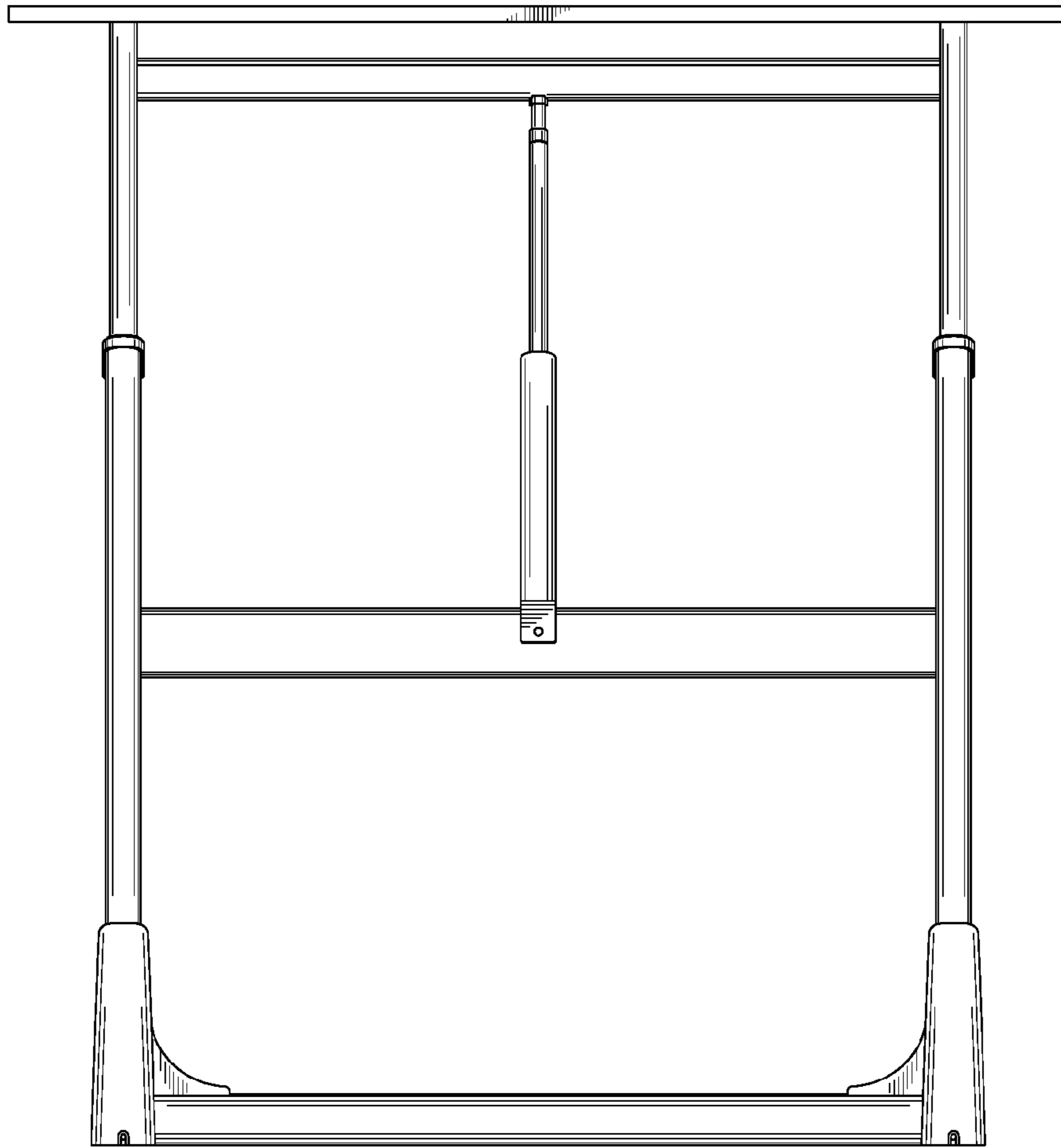


FIG. 2

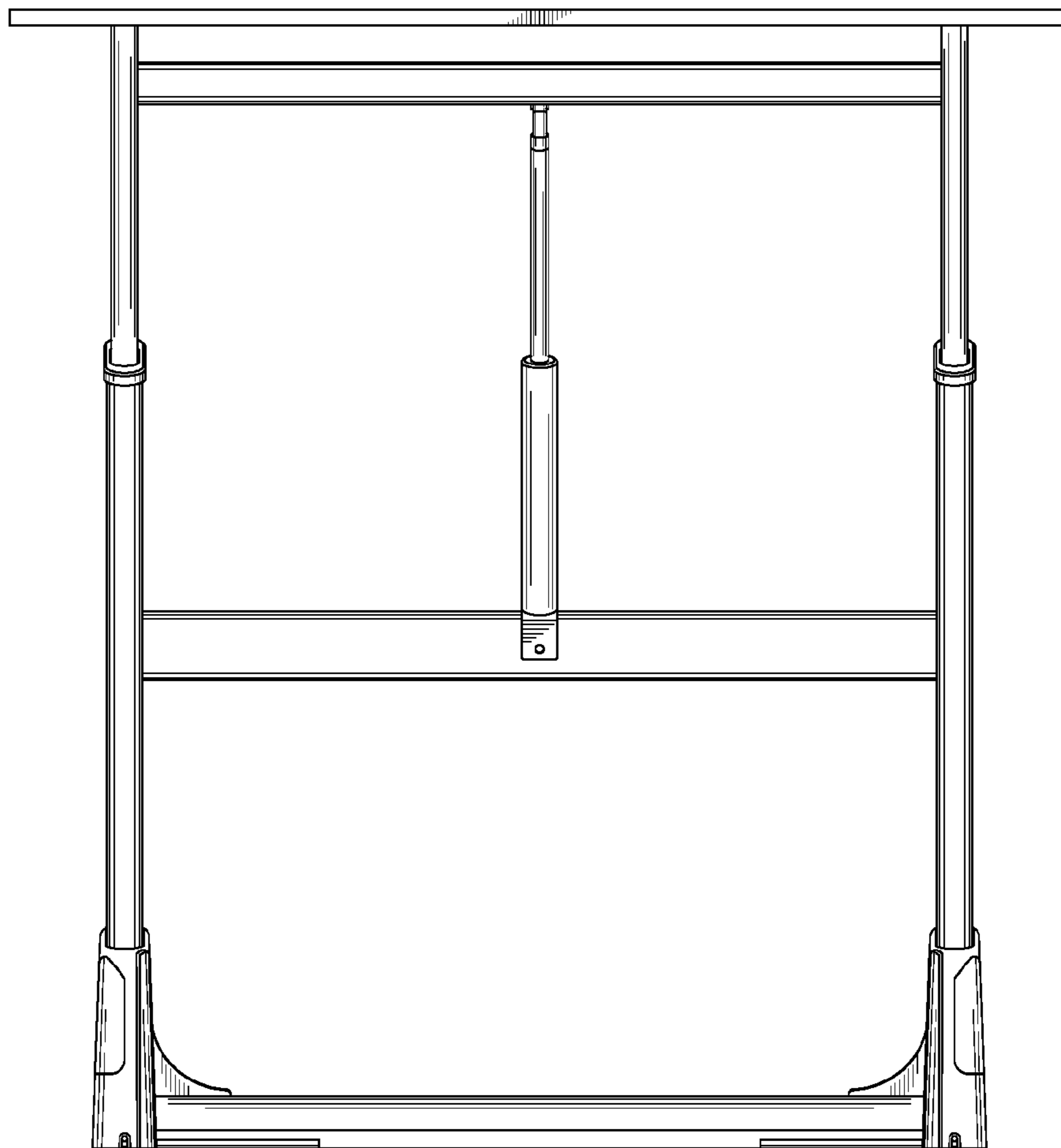


FIG. 3

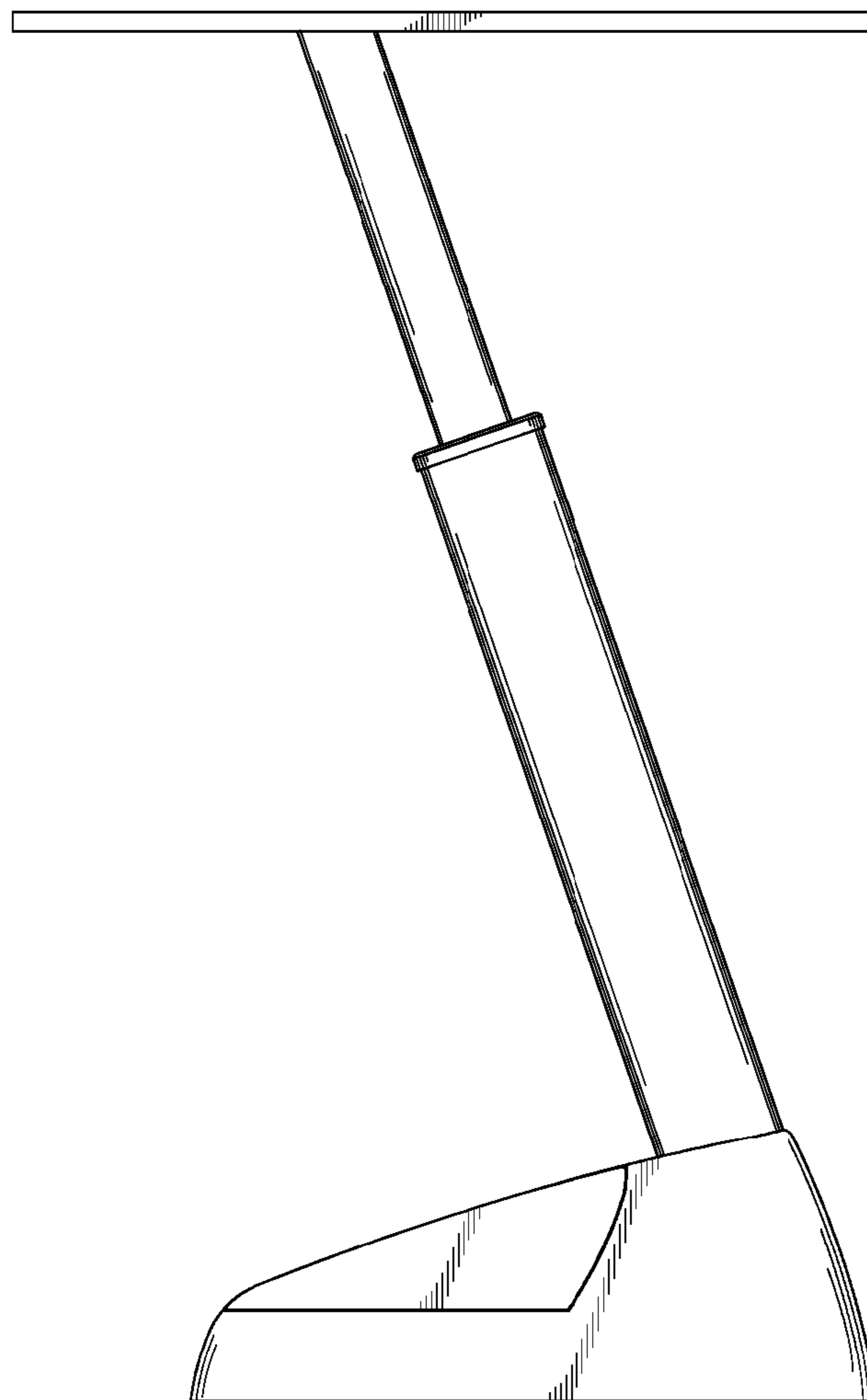


FIG. 4

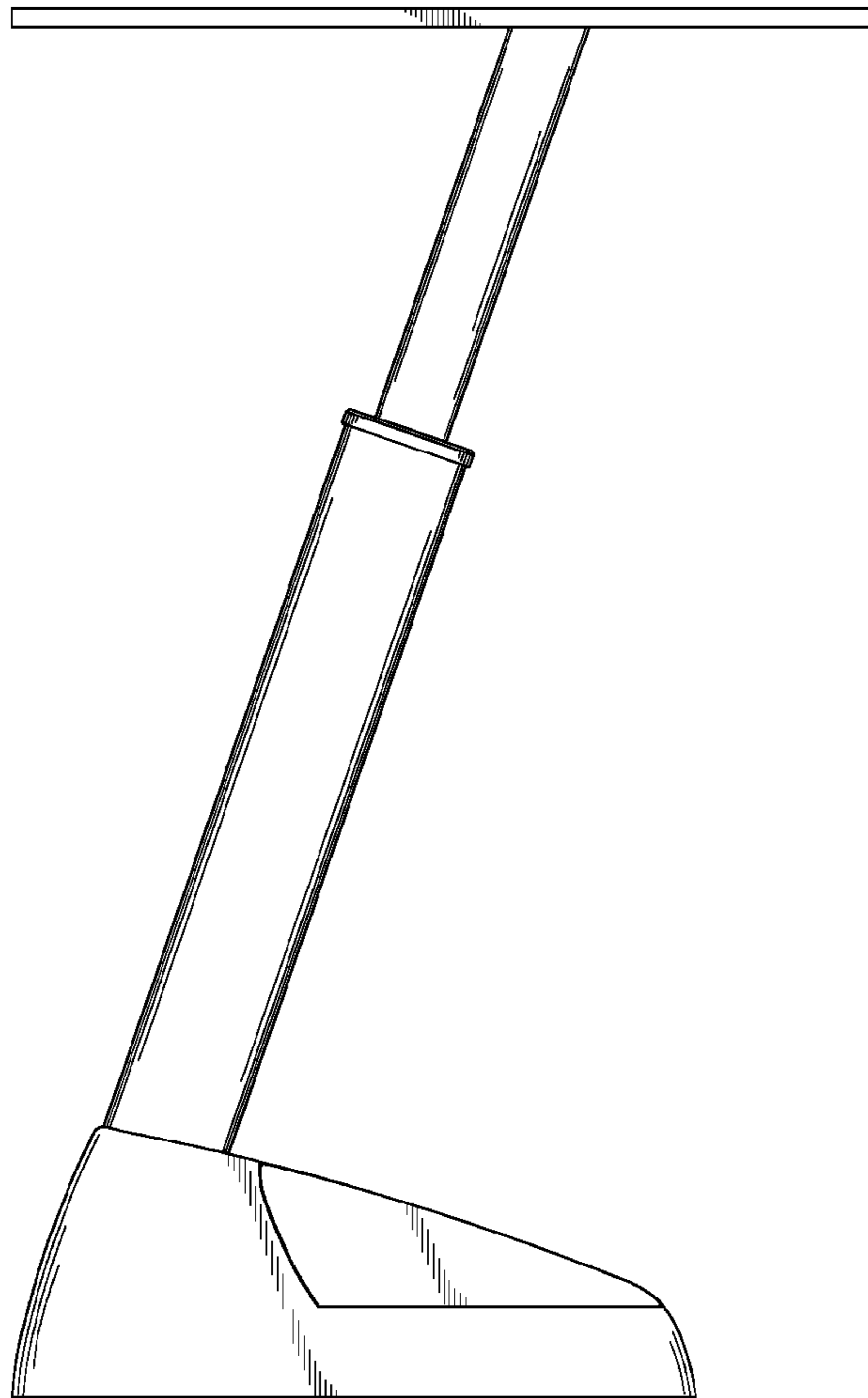


FIG. 5

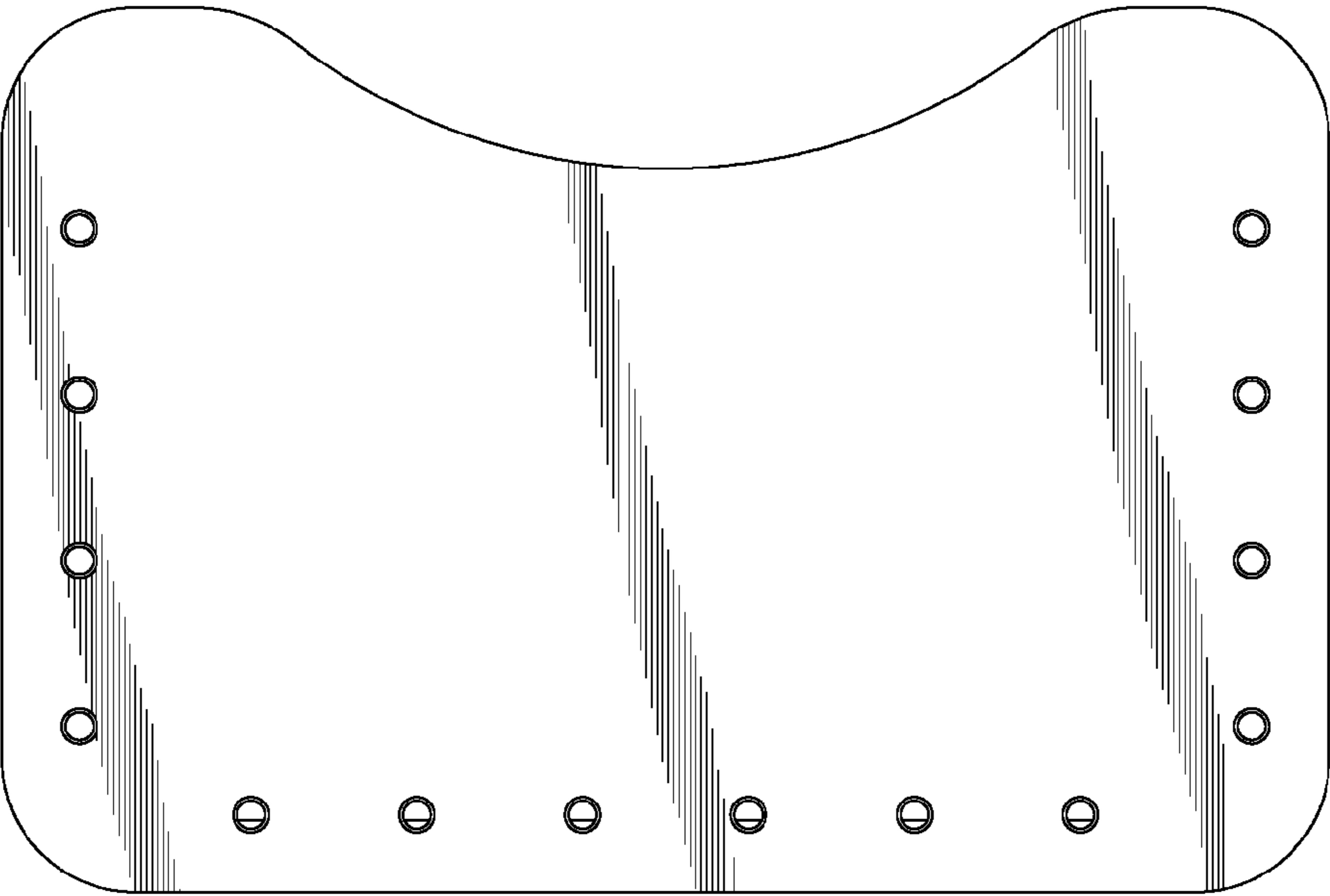


FIG. 6

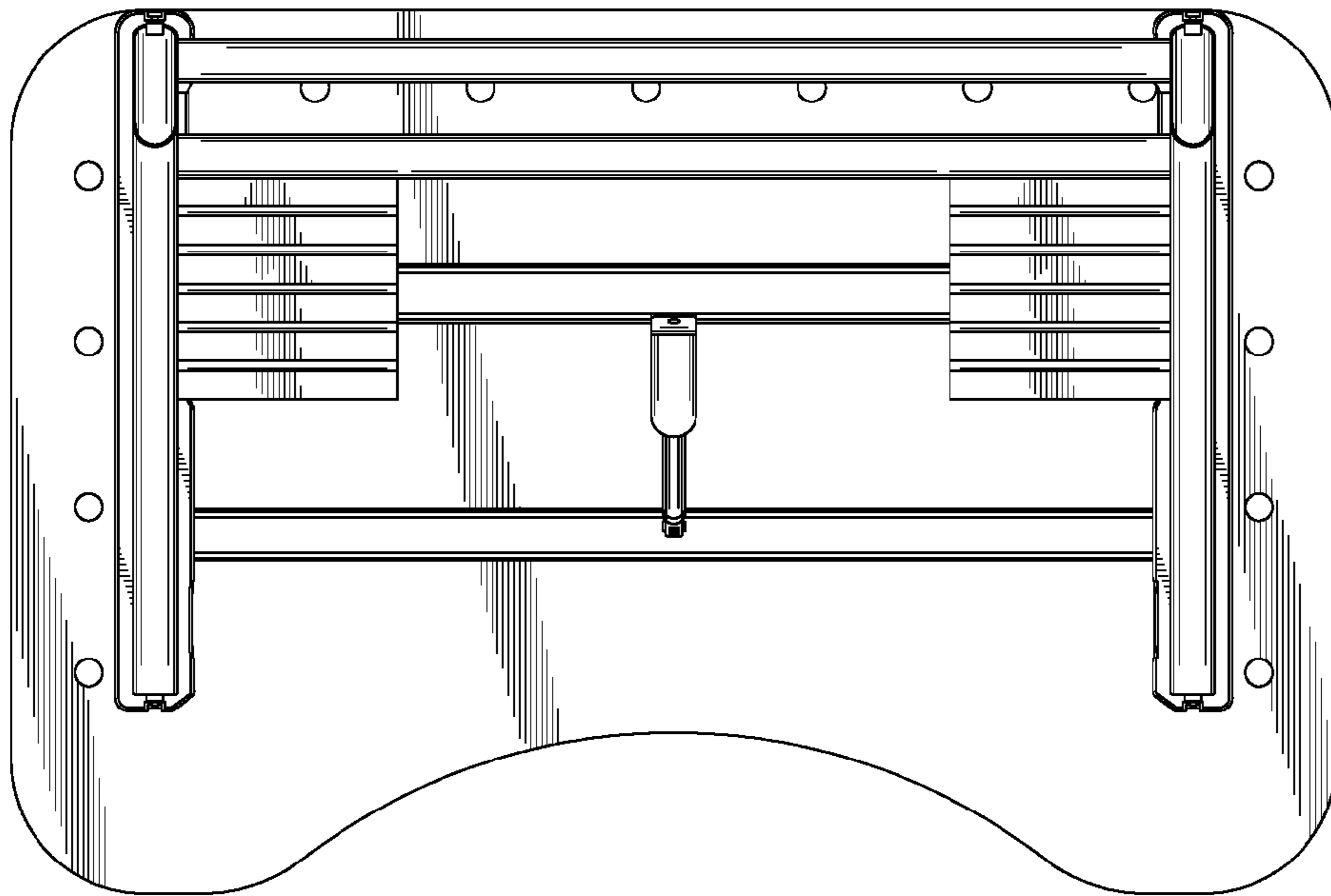


FIG. 7



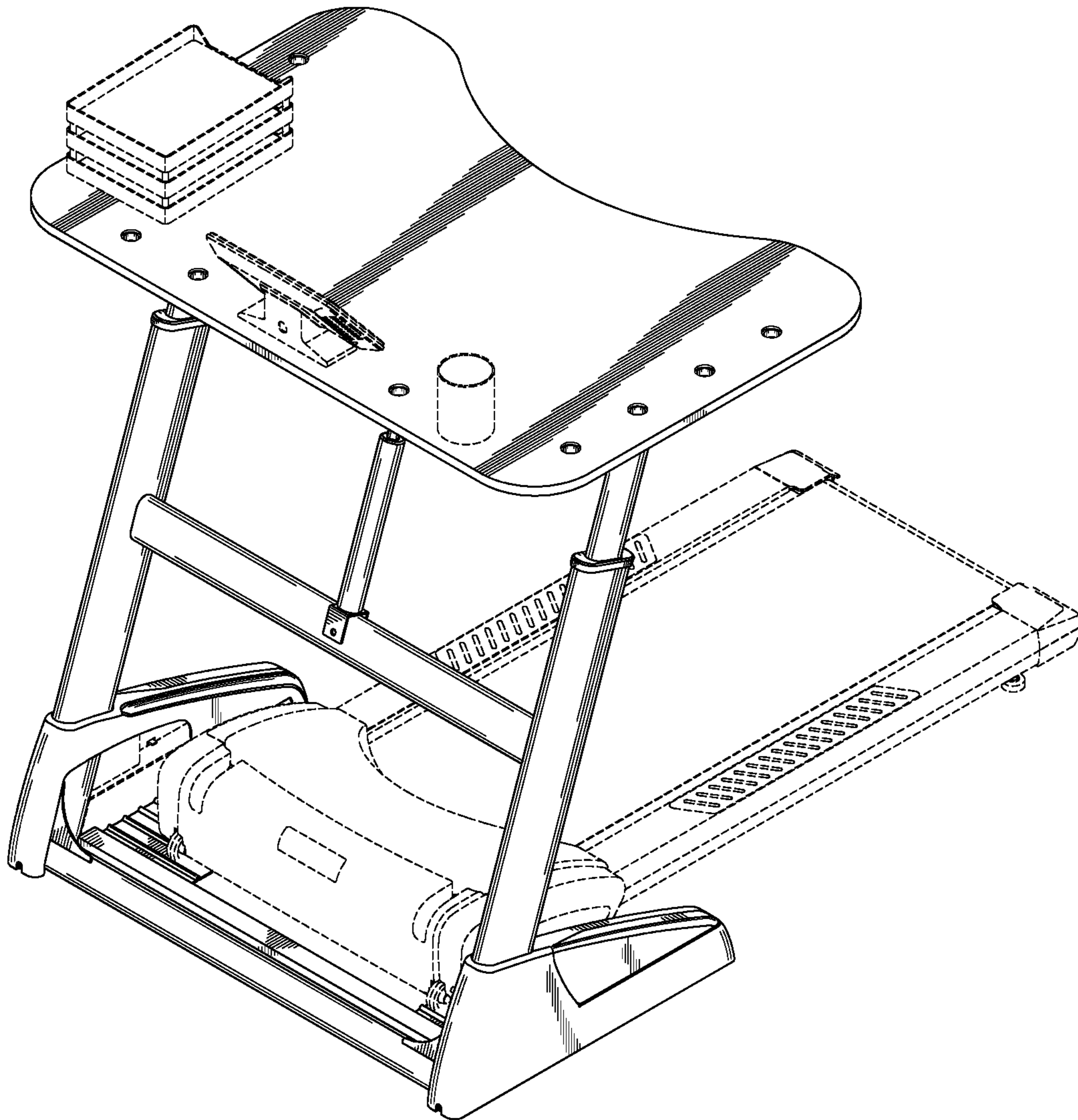


FIG. 8