



US00D691222S

(12) **United States Design Patent**
Sterios

(10) **Patent No.:** **US D691,222 S**

(45) **Date of Patent:** **** Oct. 8, 2013**

(54) **MULTI-CONTOURED YOGA SUPPORT**

(75) **Inventor:** **Peter D. Sterios**, San Luis Obispo, CA (US)

(73) **Assignee:** **Manduka**, El Segundo, CA (US)

(**) **Term:** **14 Years**

(21) **Appl. No.:** **29/408,631**

(22) **Filed:** **Dec. 14, 2011**

(51) **LOC (9) Cl.** **21-02**

(52) **U.S. Cl.**
USPC **D21/686**

(58) **Field of Classification Search**
USPC D21/662, 677-681, 684, 686, 694;
482/35, 77, 92-94, 97-111, 114-115, 139,
482/140, 142; D19/10; D6/601, 349;
D30/160; D24/190, 191, 200, 211
See application file for complete search history.

(56) **References Cited**

U.S. PATENT DOCUMENTS

D47,140	S	*	3/1915	Newkirk	D6/601
D273,915	S	*	5/1984	Pike	D6/349
4,635,306	A	*	1/1987	Willey	5/632
4,770,466	A	*	9/1988	Pesterfield	297/391
D307,369	S	*	4/1990	Zollinger	D6/601
D311,295	S	*	10/1990	Roberts	D6/601
D316,354	S	*	4/1991	Bool	D6/601
D321,562	S	*	11/1991	Ljungvall	D24/183
D321,760	S	*	11/1991	Carney	D24/190
D349,541	S	*	8/1994	Bertolucci et al.	D21/686
D398,173	S	*	9/1998	Velez	D6/501
D406,718	S	*	3/1999	Jacobs	D6/601
D441,823	S	*	5/2001	Blackhurst	D21/797
D442,005	S	*	5/2001	Boese	D6/601
D469,486	S	*	1/2003	Olson	D21/687
D509,269	S	*	9/2005	Decker	D21/686
D511,213	S	*	11/2005	Hasegawa	D24/200
D513,571	S	*	1/2006	Haack	D6/601

D523,494	S	*	6/2006	Van Straaten	D21/686
D523,913	S	*	6/2006	Van Straaten	D21/686
D526,369	S	*	8/2006	Van Straaten	D21/686
D544,051	S	*	6/2007	Takahira	D21/707
D546,907	S	*	7/2007	Dykgraaf et al.	D21/662
D555,741	S	*	11/2007	Wachtfogel et al.	D21/686
D565,131	S	*	3/2008	Decker	D21/686
D565,372	S	*	4/2008	Stegmeier	D8/45
D569,161	S	*	5/2008	Gaddy	D6/601
D569,467	S	*	5/2008	Wake	D21/771
D578,805	S	*	10/2008	Diekman	D6/482
D581,713	S	*	12/2008	Berke	D6/601
D595,986	S	*	7/2009	Kloes et al.	D6/601
D604,550	S	*	11/2009	Carter	D6/601
7,789,805	B2	*	9/2010	Lim	482/35

(Continued)

Primary Examiner — Susan E Krakower

(74) *Attorney, Agent, or Firm* — Law Office of Andrew B. Chen

(57) **CLAIM**

The ornamental design for a multi-contoured yoga support, as shown and described.

DESCRIPTION

FIG. 1 is a perspective view of a multi-contoured yoga support;

FIG. 2 is a front side view of the multi-contoured yoga support of FIG. 1;

FIG. 3 is a back side view of the multi-contoured yoga support of FIG. 1;

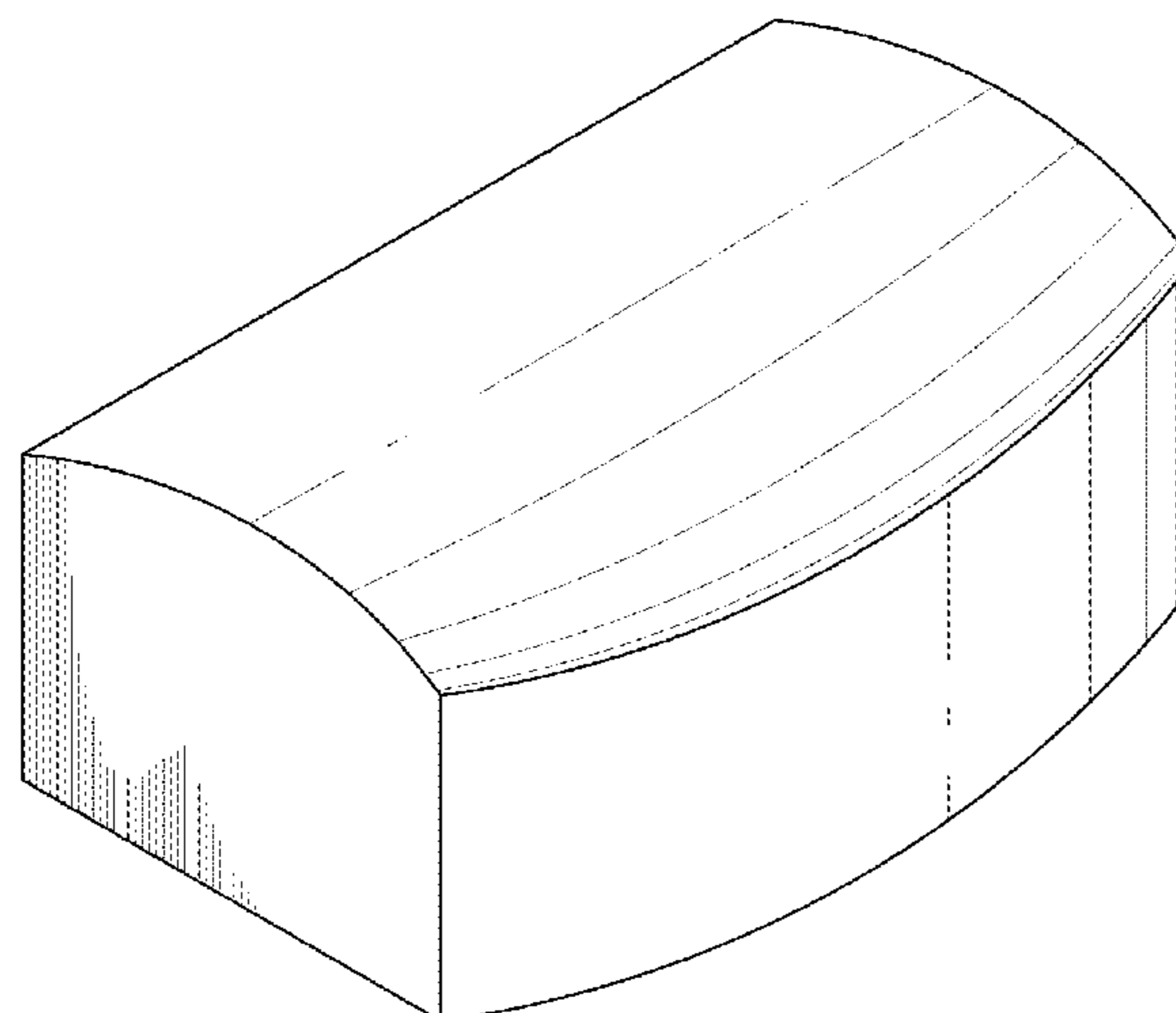
FIG. 4 is a left side view of the multi-contoured yoga support taken from FIG. 1;

FIG. 5 is a right side view of the multi-contoured yoga support taken from FIG. 1;

FIG. 6 is a bottom view of the multi-contoured yoga support of FIG. 1; and,

FIG. 7 is a top view of the multi-contoured yoga support of FIG. 1.

1 Claim, 2 Drawing Sheets



(56)

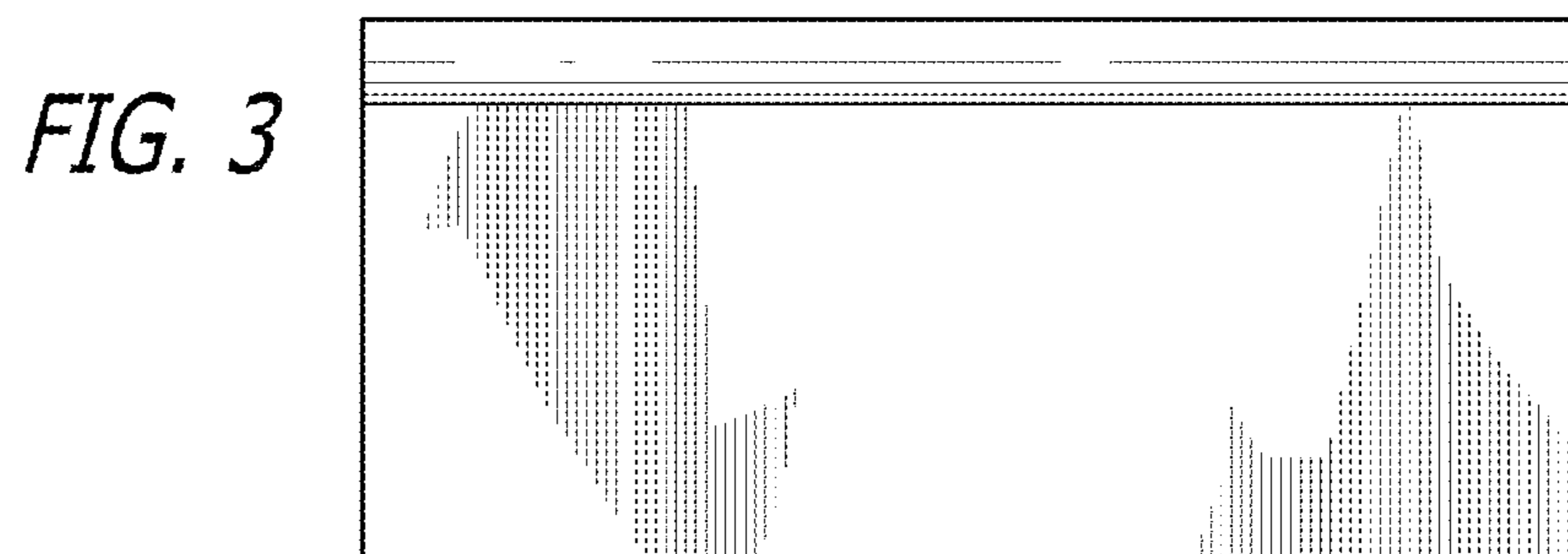
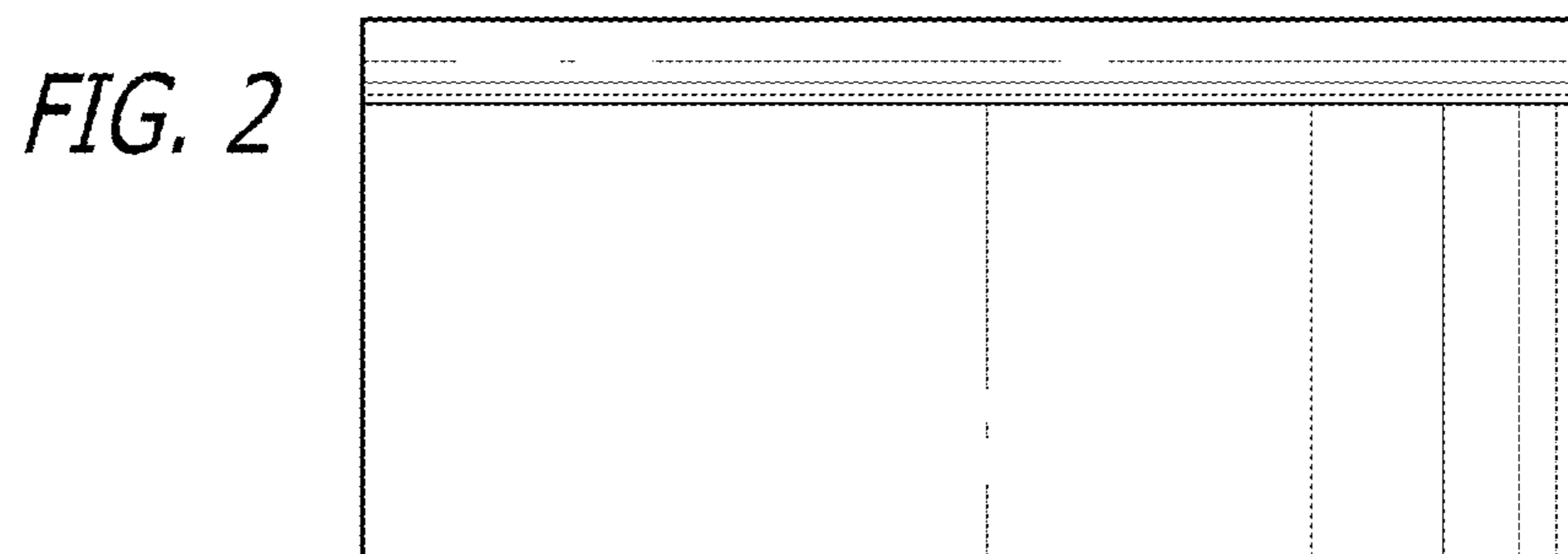
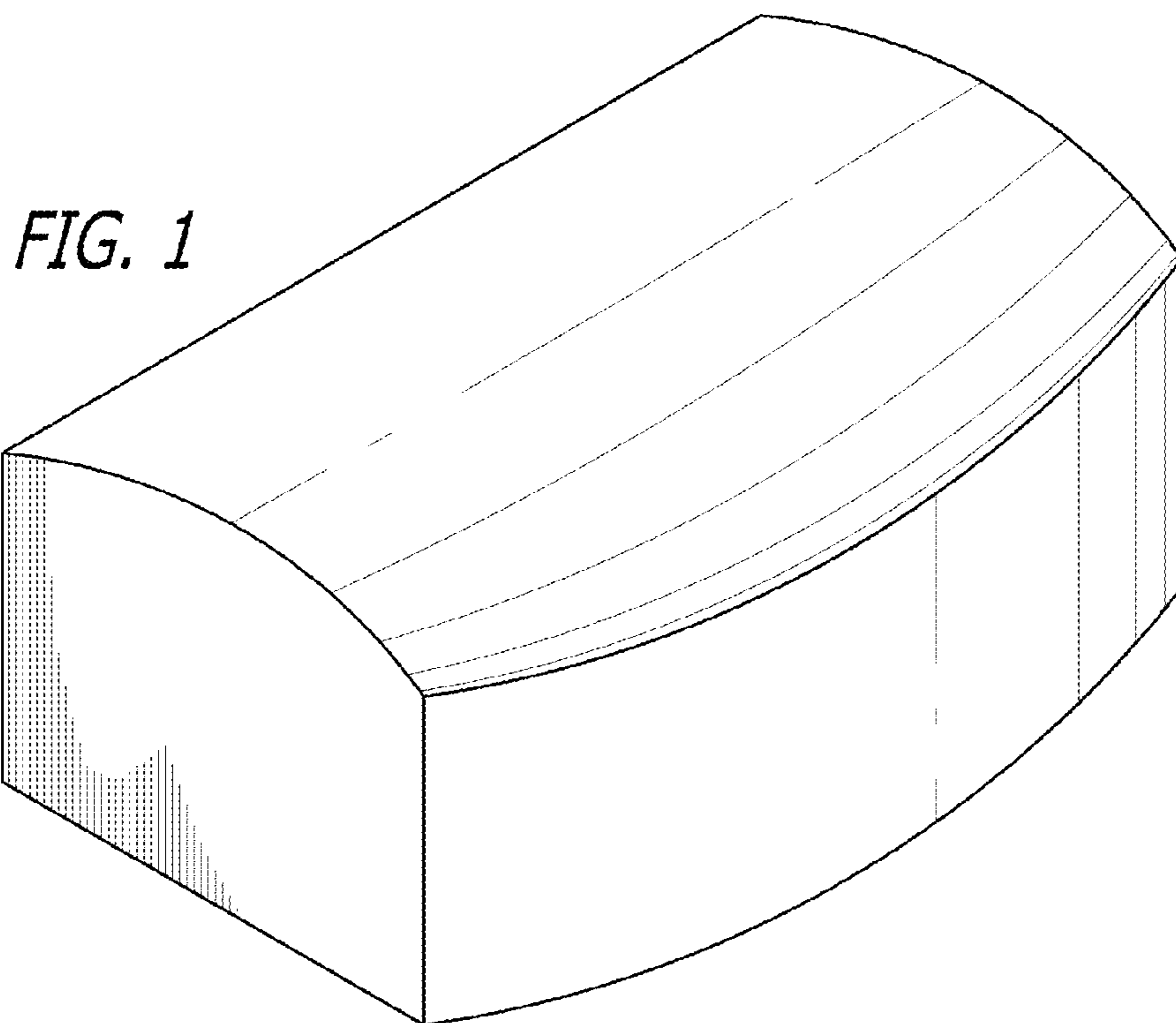
References Cited

U.S. PATENT DOCUMENTS

7,901,328 B1 * 3/2011 Kessler et al. 482/35
D637,439 S * 5/2011 Mettler D6/601
D639,101 S * 6/2011 Kalatsky D6/601
D639,876 S * 6/2011 Tsou D21/686

D651,369 S * 12/2011 Seliskar et al. D30/160
D652,240 S * 1/2012 Colman D6/601
D665,506 S * 8/2012 Derrick et al. D24/191
D675,267 S * 1/2013 Jamison, Jr. D21/686
RE43,981 E * 2/2013 Endelman 482/142

* cited by examiner



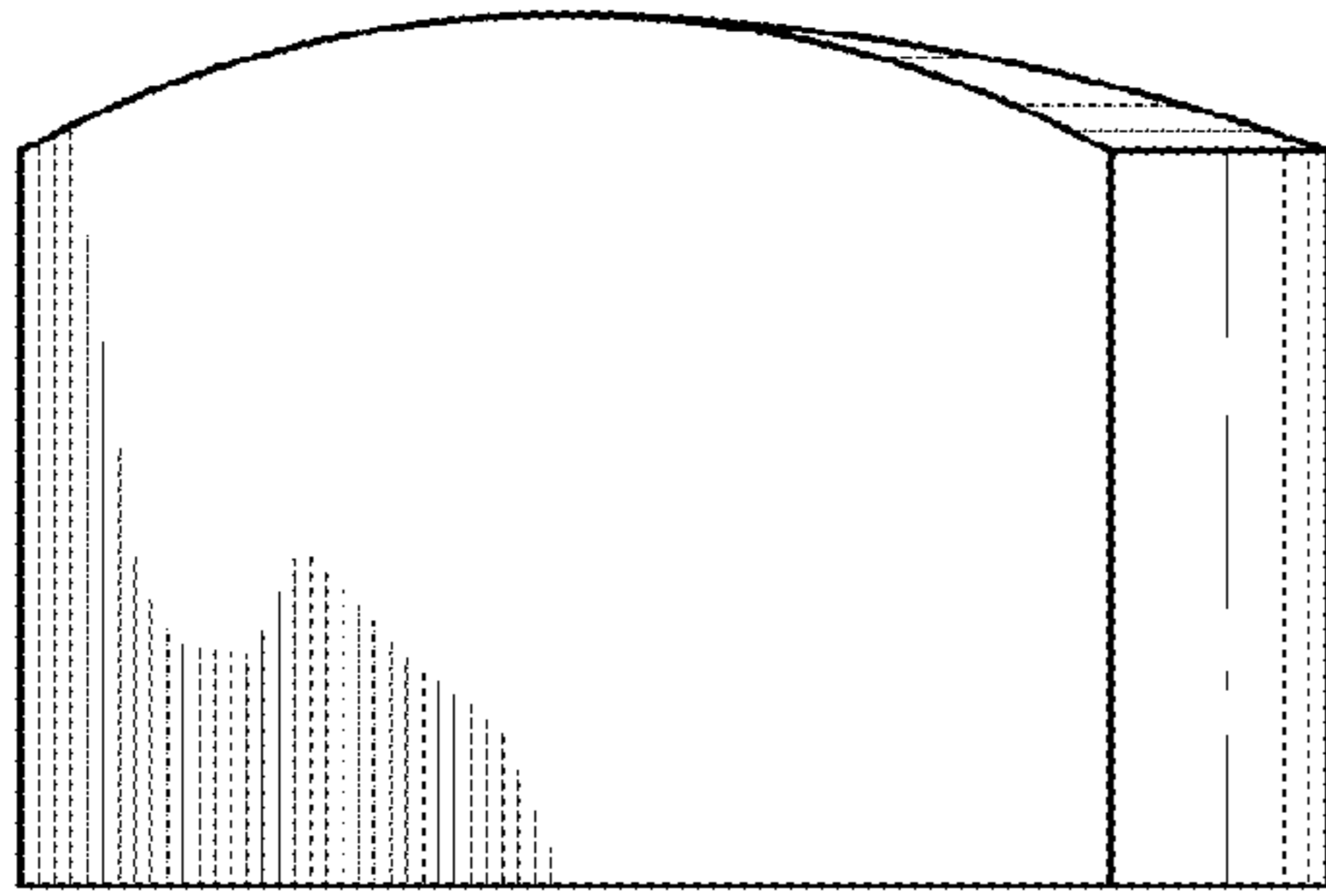


FIG. 4

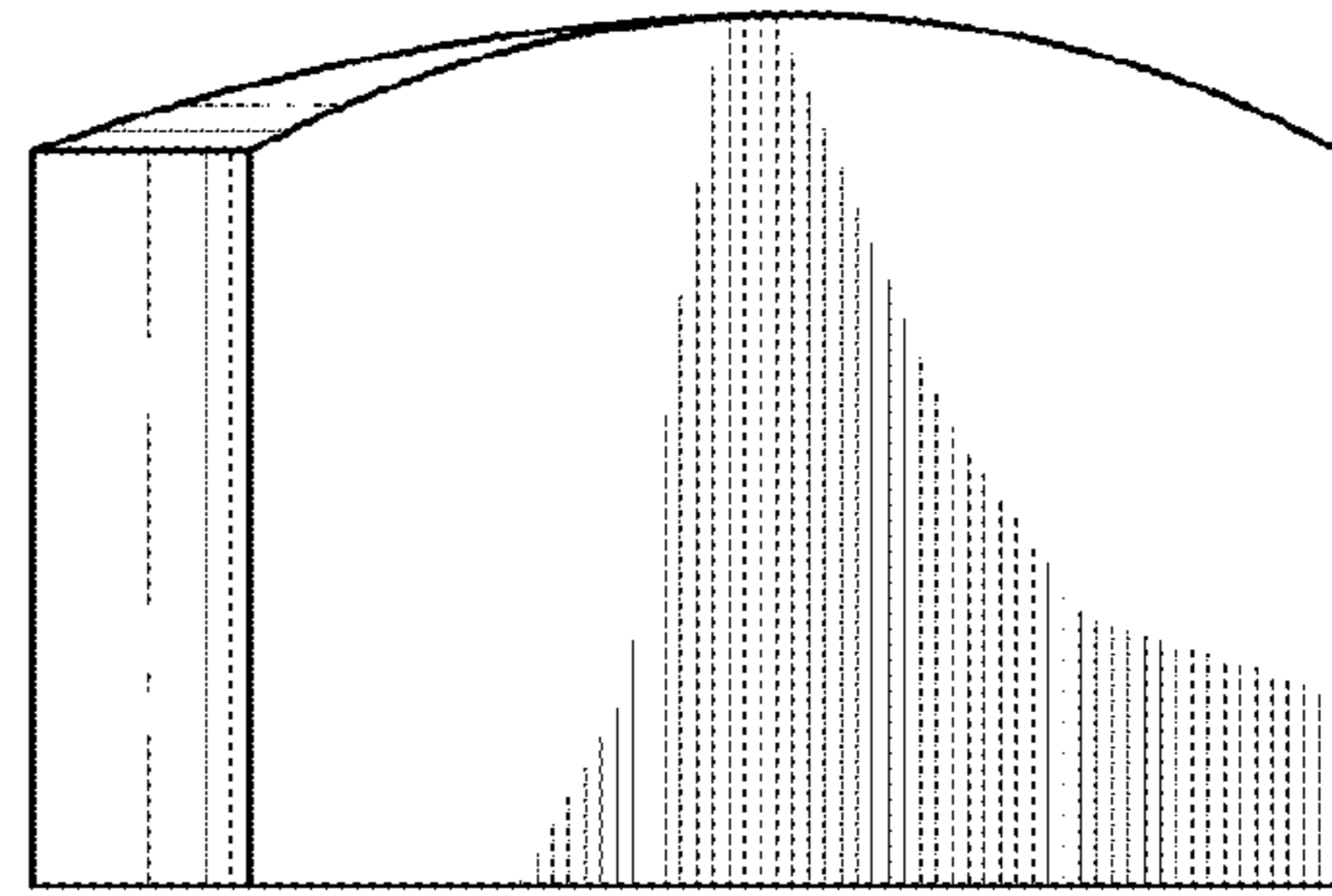


FIG. 5

FIG. 6

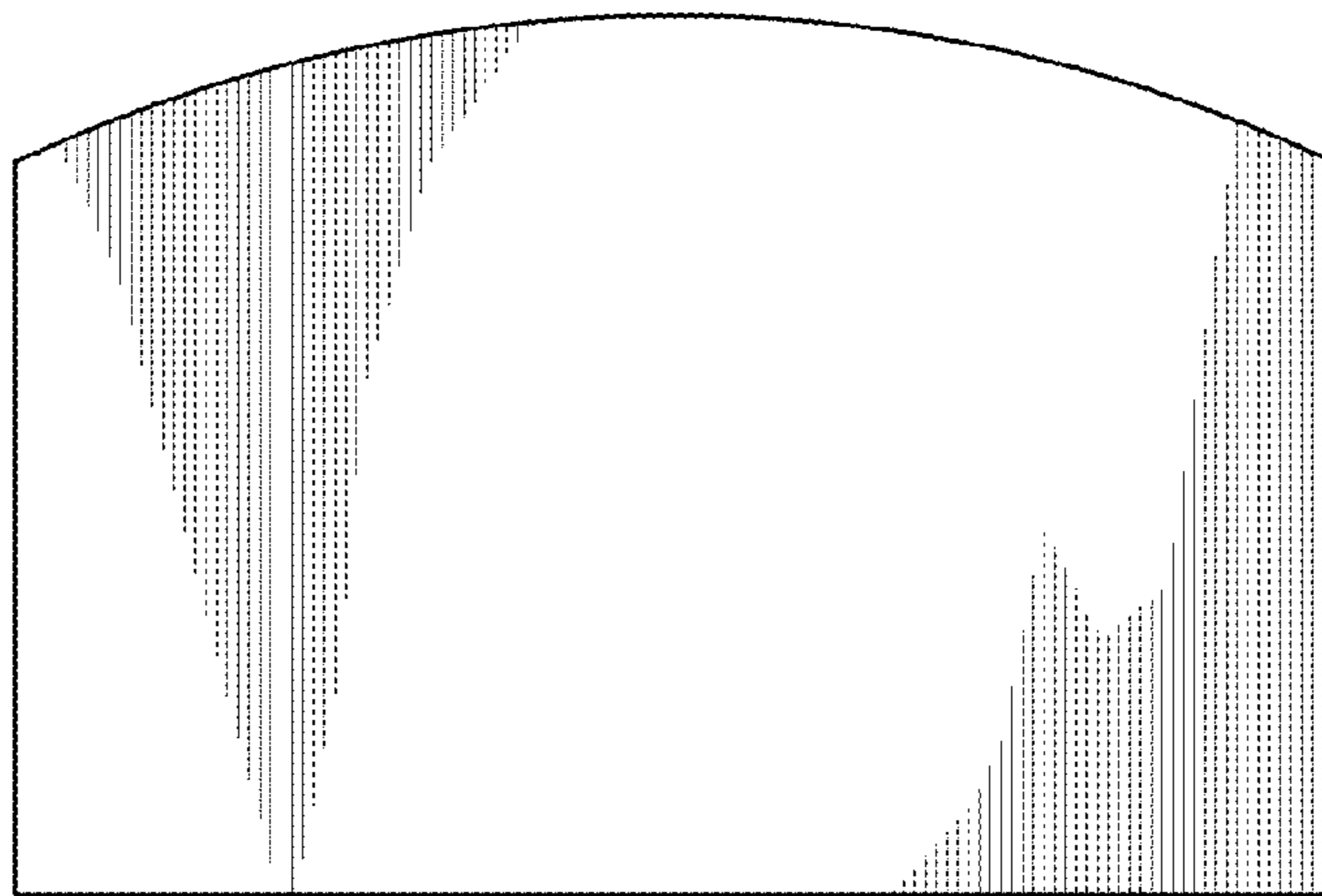


FIG. 7

