



US00D691221S

(12) **United States Design Patent**
Potts et al.

(10) **Patent No.:** **US D691,221 S**

(45) **Date of Patent:** **** Oct. 8, 2013**

(54) **EXERCISE WEIGHT**

(75) Inventors: **Terence Scott Potts**, Hamilton (CA);
Paul William Dorsett, Campbellville
(CA)

(73) Assignee: **Terence Scott Potts**, Hamilton (CA)

(**) Term: **14 Years**

(21) Appl. No.: **29/427,400**

(22) Filed: **Jul. 17, 2012**

(51) **LOC (9) Cl.** **21-02**

(52) **U.S. Cl.**
USPC **D21/680**

(58) **Field of Classification Search**
USPC D21/662, 677-681, 684, 686, 694;
482/77, 92-94, 97-111, 114-115, 139, 140,
482/142; D19/10; D6/601; D30/160
See application file for complete search history.

(56) **References Cited**

U.S. PATENT DOCUMENTS

1,422,888	A *	7/1922	Reeves et al.	482/93
2,540,718	A *	2/1951	Duskin	40/651
3,265,389	A *	8/1966	Carlson	482/49
D217,318	S *	4/1970	Walldof	D20/43
D275,302	S *	8/1984	Rotella	D21/684
4,712,793	A *	12/1987	Harwick et al.	482/99
4,880,229	A *	11/1989	Broussard	482/108
D326,211	S *	5/1992	Allen	D7/698
D349,541	S *	8/1994	Bertolucci et al.	D21/686
D409,695	S *	5/1999	Rojas et al.	D21/680
D420,716	S *	2/2000	Kiefer et al.	D21/805
6,050,925	A *	4/2000	Irvin et al.	482/111
D431,059	S *	9/2000	Webber et al.	D21/680
6,206,810	B1 *	3/2001	Alessandri	482/98
D451,159	S *	11/2001	Rojas et al.	D21/680

D451,160	S *	11/2001	Rojas et al.	D21/680
6,497,639	B2 *	12/2002	Webber et al.	482/98
D468,441	S *	1/2003	Pham	D24/225
6,575,882	B2 *	6/2003	Chen	482/98
D476,693	S *	7/2003	Yuran	D20/22
D513,774	S *	1/2006	Nudo	D21/698
D519,173	S *	4/2006	Nalley	D21/680
D528,180	S *	9/2006	Rathbun	D21/780
D534,232	S *	12/2006	Rathbun	D21/780
D542,024	S *	5/2007	Bulgari	D3/207
D553,675	S *	10/2007	Hogg et al.	D19/9
D558,756	S *	1/2008	Andre et al.	D14/341
D558,757	S *	1/2008	Andre et al.	D14/341
D562,416	S *	2/2008	Fedriga et al.	D21/694
D568,389	S *	5/2008	Hammad	D19/10
D568,423	S *	5/2008	Y'shua et al.	D21/662
D572,752	S *	7/2008	Hammad	D19/10
D575,815	S *	8/2008	Hammad et al.	D19/10
D580,974	S *	11/2008	Hammad	D19/10
D590,030	S *	4/2009	Manderbacka	D21/662
D590,457	S *	4/2009	Mishan	D21/686

(Continued)

Primary Examiner — Susan Krakower

(74) *Attorney, Agent, or Firm* — Steven M. Greenberg, Esq.;
Carey Rodriguez Greenberg O'Keefe LLP

(57) **CLAIM**

The ornamental design for an exercise weight, as shown and described.

DESCRIPTION

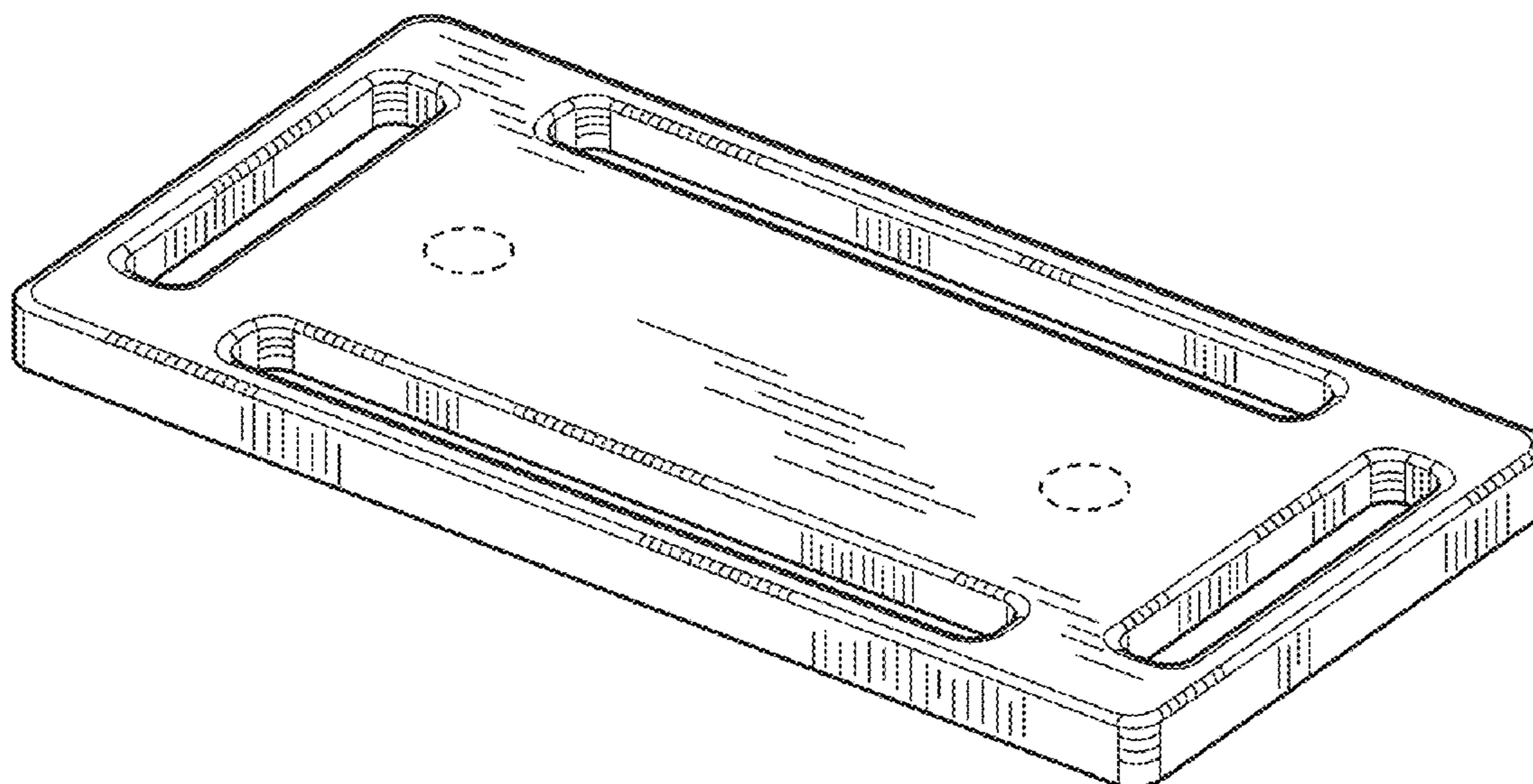
FIG. 1 is a perspective view of an exercise weight according to our new design.

FIG. 2 is a side view of the exercise weight of FIG. 1.

FIG. 3 is an end view of the exercise weight of FIG. 1; and, FIG. 4 is a plan view of the exercise weight of FIG. 1.

The broken lines in the Figures illustrate the portions of the design that form no part of the claimed design.

1 Claim, 1 Drawing Sheet



(56)

References Cited

U.S. PATENT DOCUMENTS

D599,149 S * 9/2009 White D6/582
7,608,021 B1 * 10/2009 Nalley 482/98
7,608,023 B2 * 10/2009 Casagrande 482/100
D630,687 S * 1/2011 Meinel D21/686

8,052,587 B1 * 11/2011 Wu 482/148
8,137,248 B1 * 3/2012 Krull 482/98
D665,469 S * 8/2012 Zabel D21/662
D673,405 S * 1/2013 Huss et al. D6/592
2002/0025888 A1 * 2/2002 Germanton et al. 482/1
2002/0027837 A1 * 3/2002 Weber 369/14

* cited by examiner

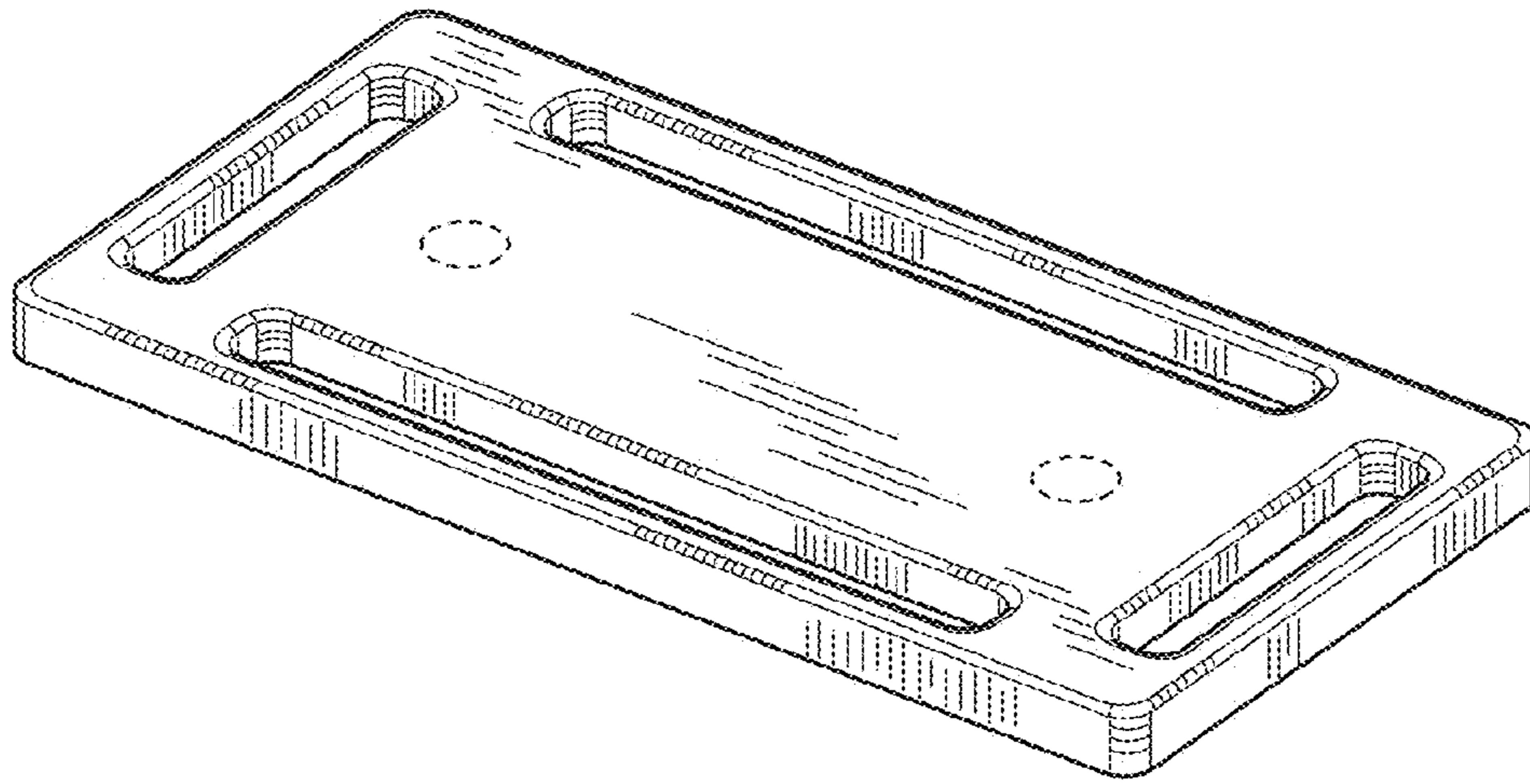


FIG. 1



FIG. 2



FIG. 3

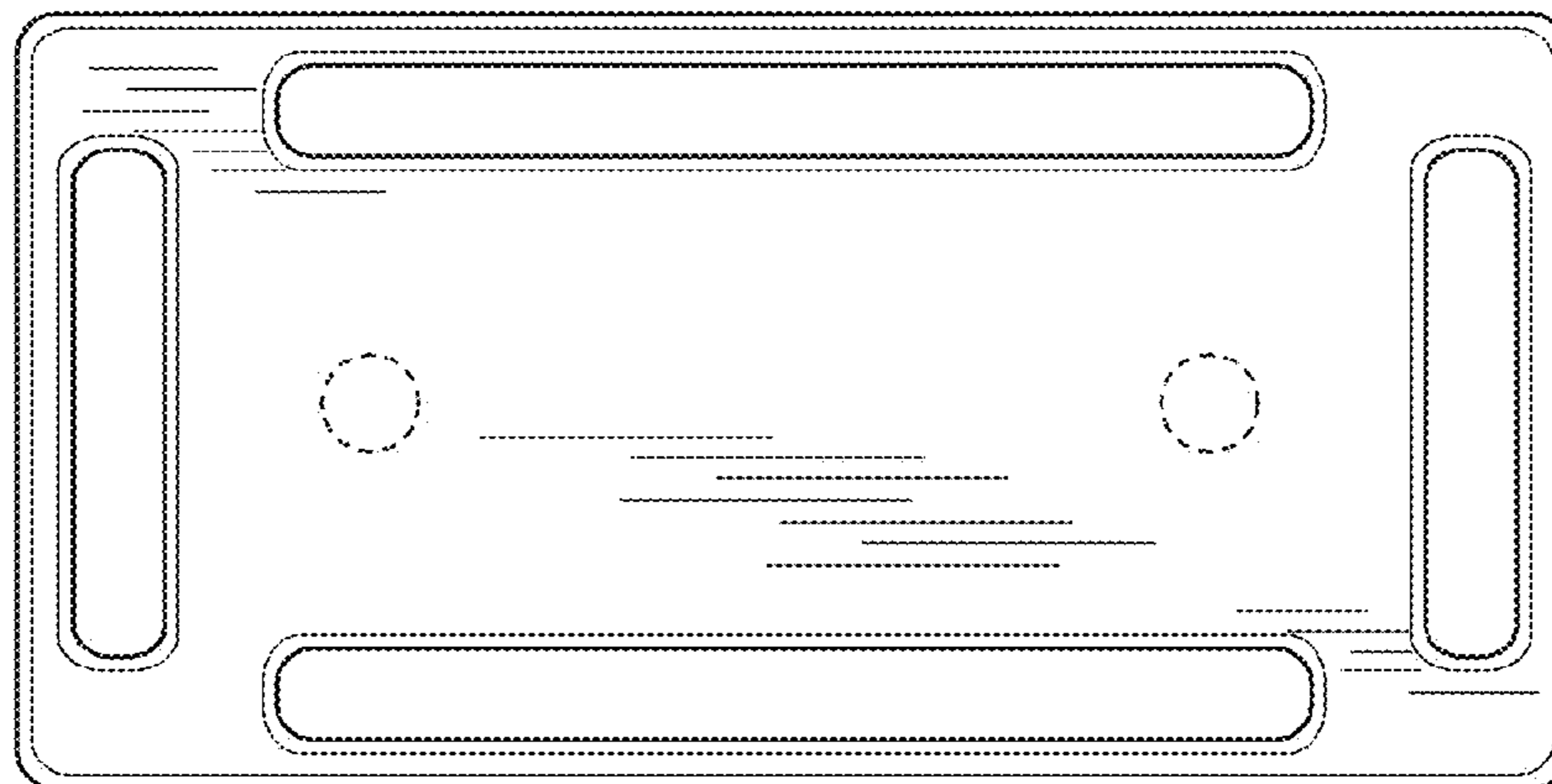


FIG. 4