



US00D691219S

(12) **United States Design Patent**  
**Kessler**

(10) **Patent No.:** **US D691,219 S**

(45) **Date of Patent:** **\*\* Oct. 8, 2013**

(54) **LIGHT UP JUMP ROPE**

(71) Applicant: **Maui Toys, Inc.**, Los Angeles, CA (US)

(72) Inventor: **Brian Kessler**, Los Angeles, CA (US)

(73) Assignee: **Maui Toys, Inc.**, Los Angeles, CA (US)

(\*\*) Term: **14 Years**

(21) Appl. No.: **29/443,141**

(22) Filed: **Jan. 14, 2013**

(51) **LOC (9) Cl.** ..... **21-02**

(52) **U.S. Cl.**  
USPC ..... **D21/672**

(58) **Field of Classification Search**

USPC ..... D21/662, 672, 682, 684, 694, 798;  
D8/107, 303, 307; D24/211, 212, 214, 215;  
482/44-46, 49, 81, 82, 107, 121

See application file for complete search history.

(56) **References Cited**

**U.S. PATENT DOCUMENTS**

85,514	A *	1/1869	Cross	.....	482/82
D73,755	S *	11/1927	Mordt	.....	D21/672
D267,075	S *	11/1982	Wadstrom	.....	D8/107
4,378,007	A *	3/1983	Kachadourian	.....	601/121
4,563,002	A *	1/1986	Jardine	.....	482/82
4,872,666	A *	10/1989	Smith	.....	482/82
D320,752	S *	10/1991	Koziol	.....	D10/40
D339,180	S *	9/1993	Taylor	.....	D21/672
D347,154	S *	5/1994	Ming-Chang	.....	D8/303
D356,407	S *	3/1995	Smith	.....	D32/31
D384,730	S *	10/1997	Doughty et al.	.....	D23/252
D402,717	S *	12/1998	Stark	.....	D21/672
6,001,048	A *	12/1999	Taylor	.....	482/81
D418,557	S *	1/2000	Cousins	.....	D21/672
D444,693	S *	7/2001	Griese et al.	.....	D8/107
6,312,359	B1 *	11/2001	Brundle	.....	482/46
6,641,508	B1 *	11/2003	Ignatovich	.....	482/82
D508,970	S *	8/2005	Travis	.....	D21/771
D545,168	S *	6/2007	Rudder	.....	D8/107

D589,773	S *	4/2009	Finochiaro	.....	D8/80
D622,327	S *	8/2010	Roos et al.	.....	D21/398
D653,934	S *	2/2012	Poston	.....	D8/307
D655,815	S *	3/2012	Miller et al.	.....	D24/133
D669,142	S *	10/2012	Mattern	.....	D21/682
2005/0255972	A1 *	11/2005	Pak	.....	482/82

\* cited by examiner

*Primary Examiner* — Susan E Krakower

(74) *Attorney, Agent, or Firm* — Browdy and Neimark, PLLC

(57) **CLAIM**

The ornamental design for a light up jump rope, as shown and described.

**DESCRIPTION**

FIG. 1 is a right front perspective view of an enlarged single handle of the light up jump rope showing my new design, shown separately for clarity of illustration;

FIG. 2 is a front elevation view of the enlarged single handle shown separately for clarity of illustration;

FIG. 3 is a rear elevation view of the enlarged single handle shown separately for clarity of illustration;

FIG. 4 is a right side elevation view of the enlarged single handle shown separately for clarity of illustration;

FIG. 5 is a left side elevation view of the enlarged single handle shown separately for clarity of illustration;

FIG. 6 is a top plan view of the enlarged single handle shown separately for clarity of illustration;

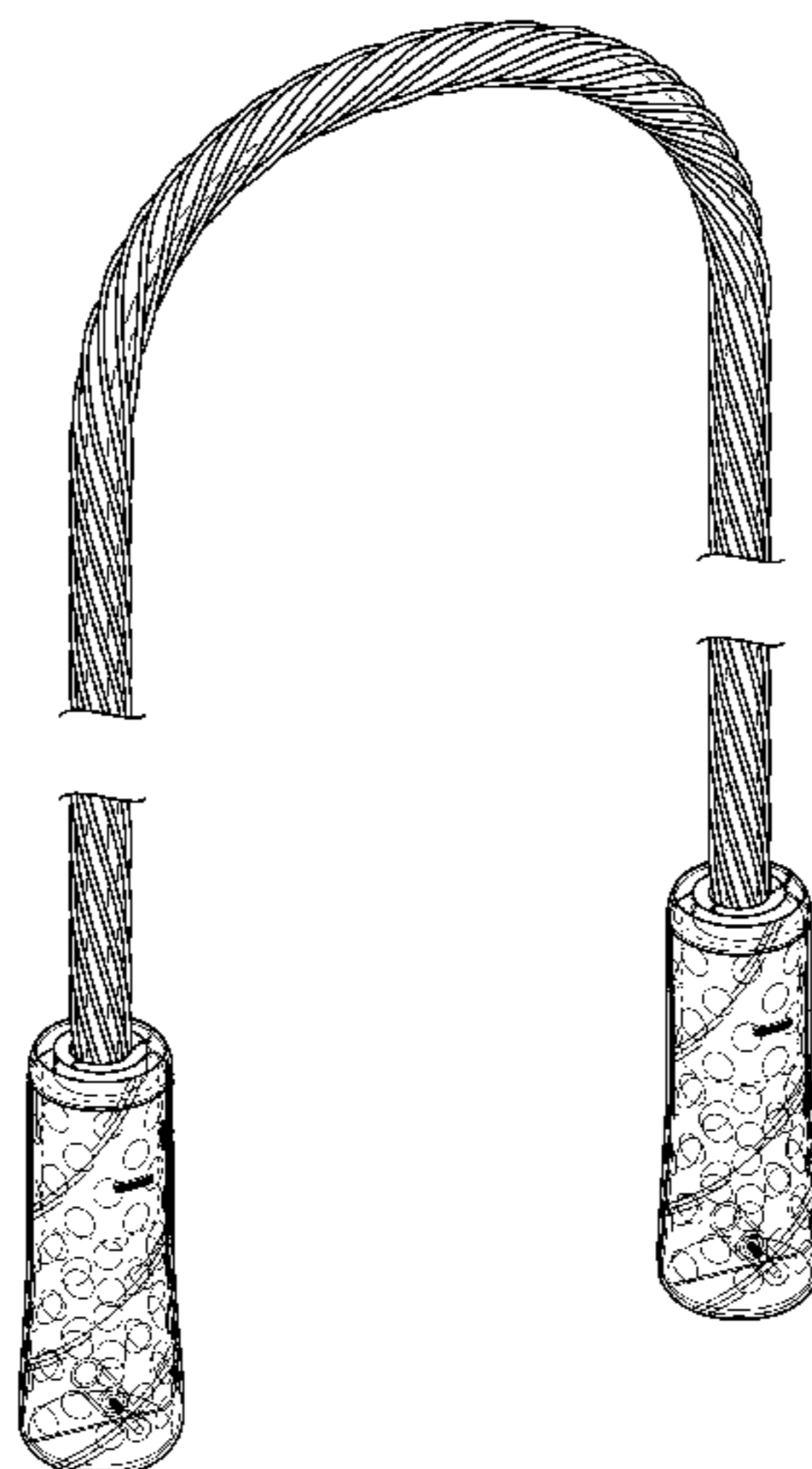
FIG. 7 is a bottom plan view of the enlarged single handle shown separately for clarity of illustration; and,

FIG. 8 is a reduced scale right front perspective view of the complete jump rope shown with the rope cut away to show no specific length.

The rope portion of the jump rope is shown broken away to indicate it has no specific length.

The broken lines illustrate portions of the light up jump rope which forms no part of the claimed design.

**1 Claim, 5 Drawing Sheets**



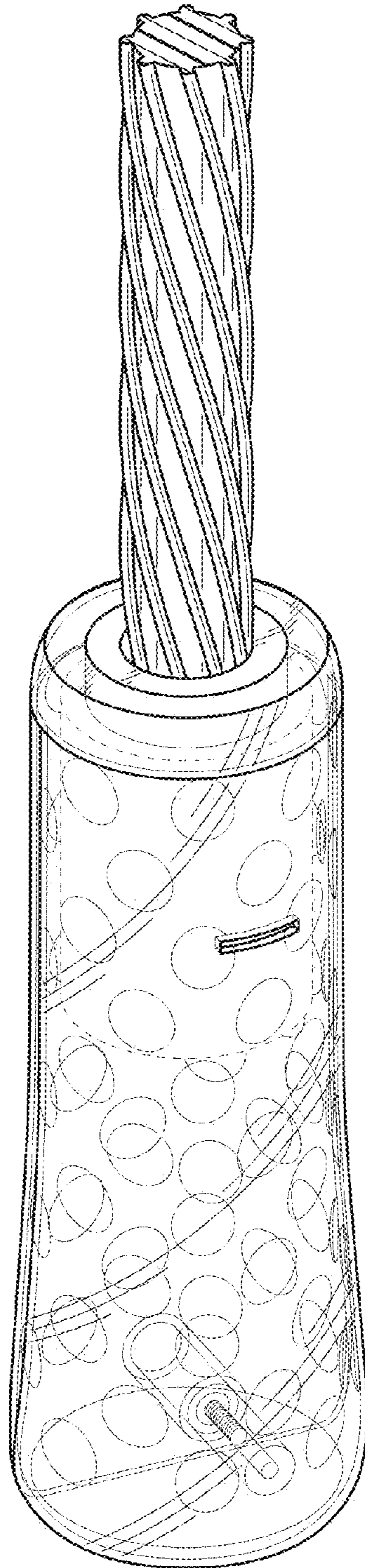


FIG. 1

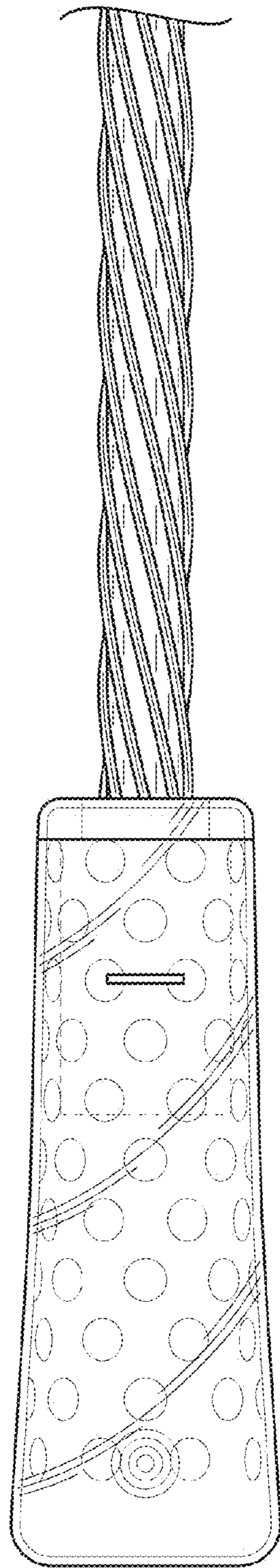


FIG. 2

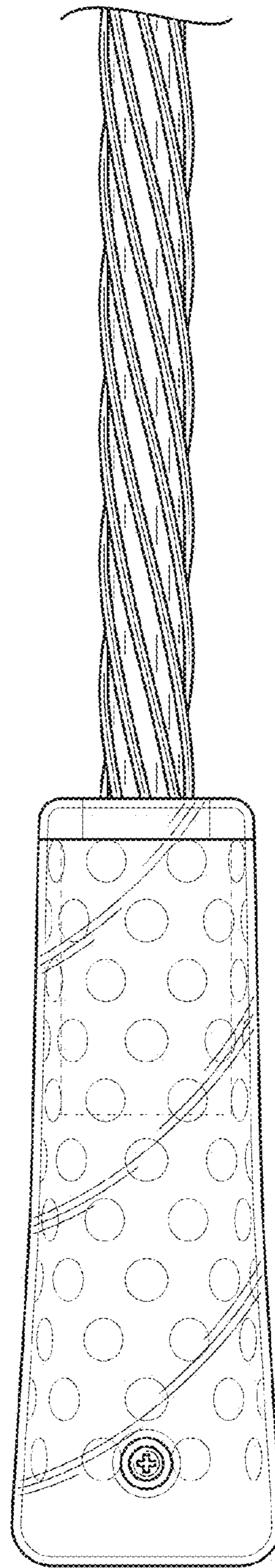


FIG. 3

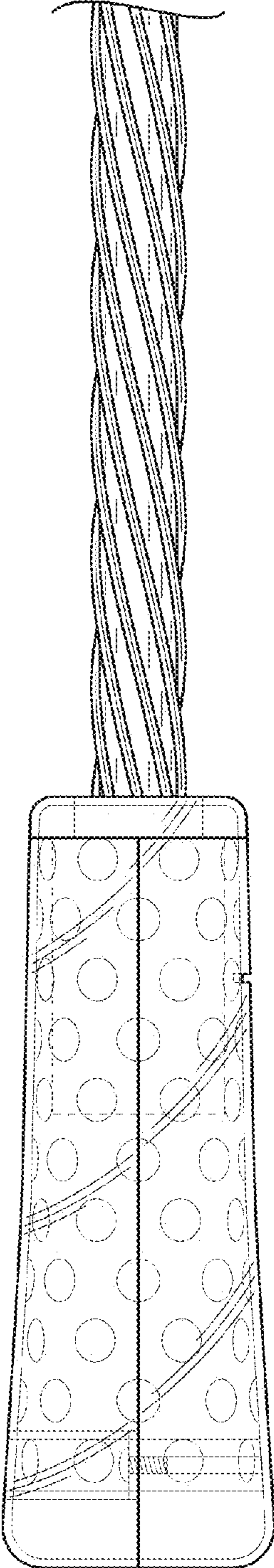


FIG. 4

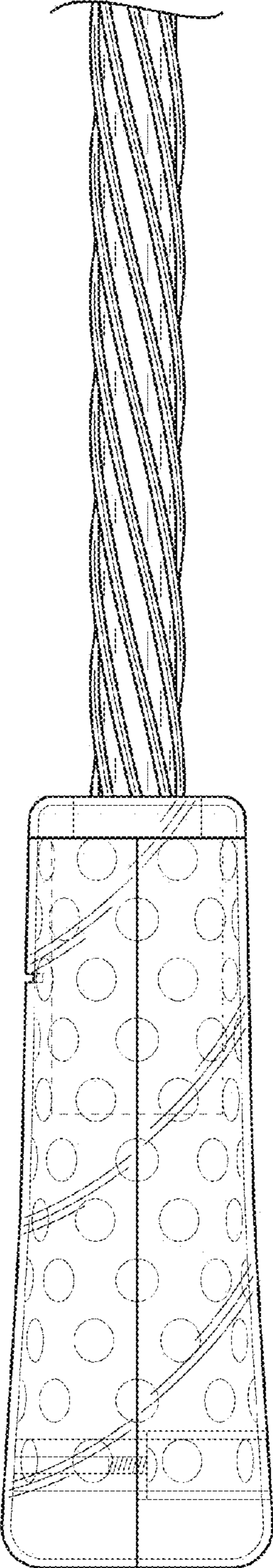


FIG. 5

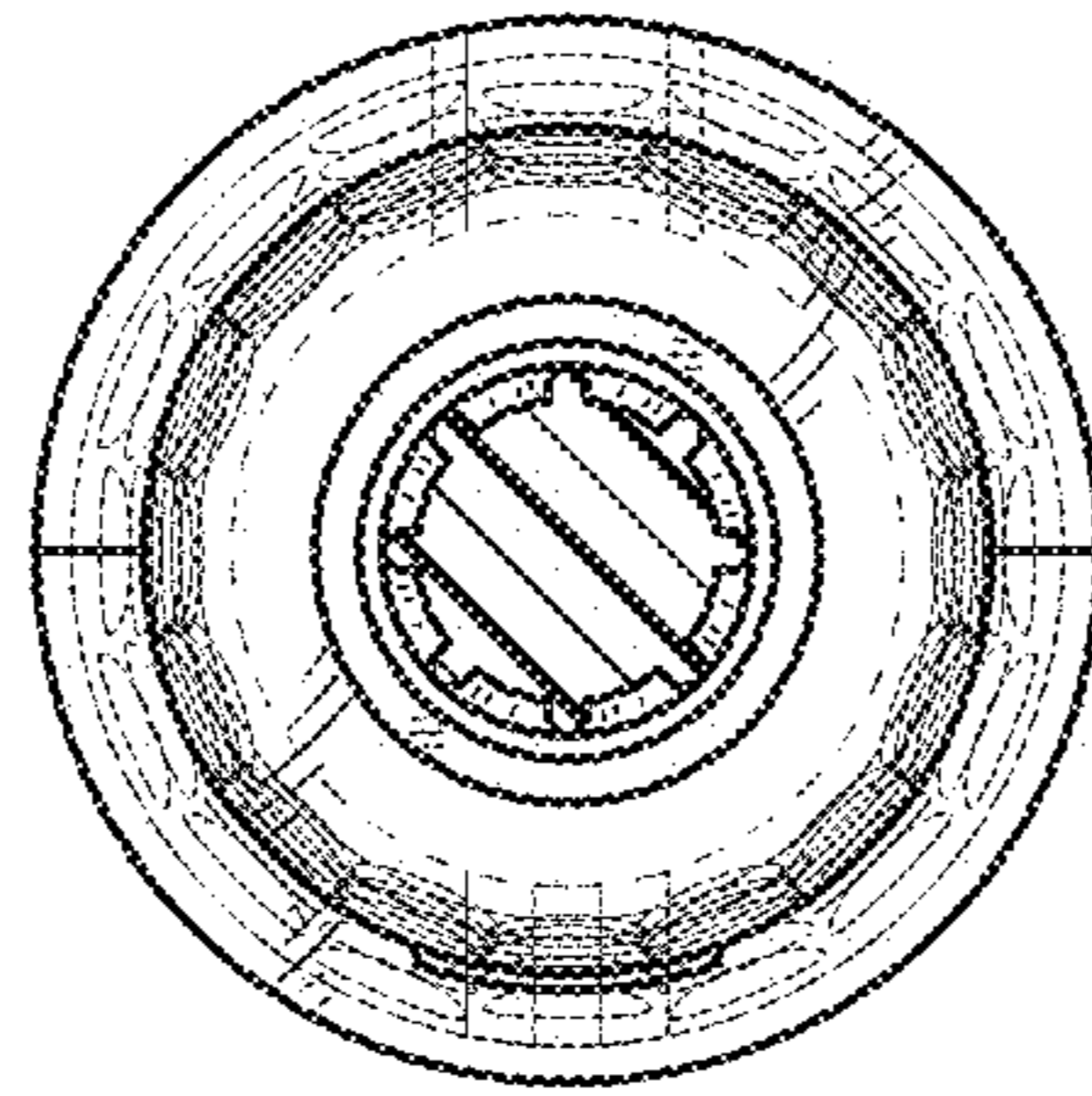


FIG. 6

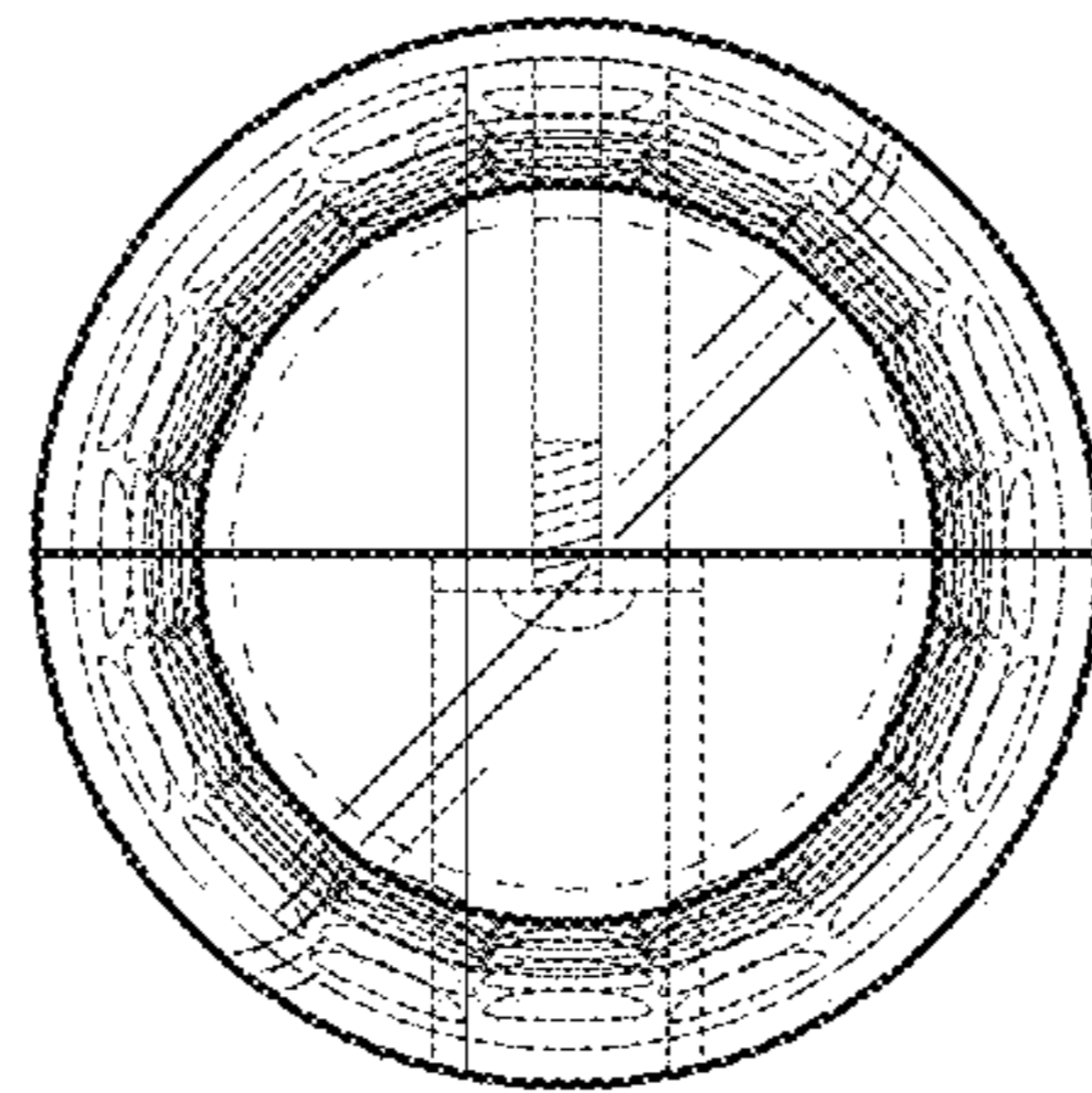


FIG. 7

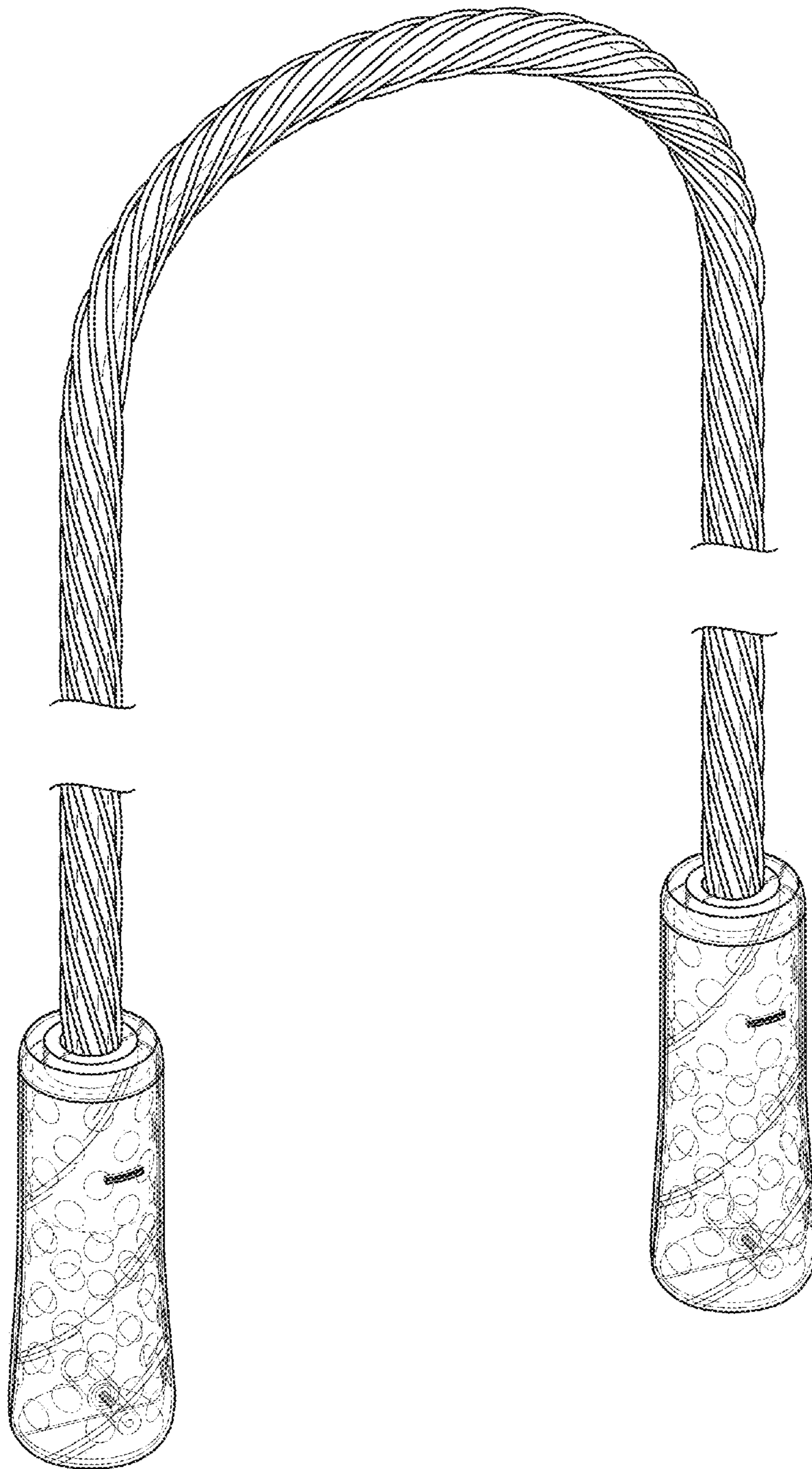


FIG. 8