



US00D691217S

(12) **United States Design Patent**
Condon et al.

(10) **Patent No.:** **US D691,217 S**
(45) **Date of Patent:** **** Oct. 8, 2013**

(54) **SINGLE HANDED CONTROLLER FOR A
REMOTE CONTROL FLYING CRAFT**

(71) Applicant: **QFO Labs**, Bloomington, MN (US)

(72) Inventors: **John Paul Condon**, Minneapolis, MN (US); **James Edward Fairman**, Bloomington, MN (US); **Bradley D. Pedersen**, Minneapolis, MN (US); **Thomas Edward KraMer**, Andover, MN (US); **Scott Andrew Melanson**, Hopkins, MN (US)

(73) Assignee: **QFO Labs, Inc.**, Bloomington, MN (US)

(**) Term: **14 Years**

(21) Appl. No.: **29/433,939**

(22) Filed: **Oct. 5, 2012**

(51) **LOC (9) Cl.** **21-01**

(52) **U.S. Cl.**
USPC **D21/566**

(58) **Field of Classification Search**
USPC D21/324, 329, 333, 566; D14/400,
D14/401, 403, 405, 454, 217, 218, 358, 155;
D13/168; 446/454-456; 463/6, 7, 37, 38,
463/39, 46, 47, 62

See application file for complete search history.

(56) **References Cited**

U.S. PATENT DOCUMENTS

D203,223 S * 12/1965 Rose D21/566
D263,858 S * 4/1982 Ngai D21/566
D302,446 S * 7/1989 Cheng D21/566

D328,463 S * 8/1992 King et al. D14/218
D331,058 S * 11/1992 Morales D14/218
D340,042 S * 10/1993 Copper et al. D14/388
D556,201 S * 11/2007 Ashida et al. D14/412
D556,760 S * 12/2007 Ashida et al. D14/412
D567,243 S * 4/2008 Ashida et al. D14/412
D579,015 S * 10/2008 Ashida et al. D14/412
D587,713 S * 3/2009 Sutton D14/412
D607,515 S * 1/2010 Oikawa et al. D21/333
D638,841 S * 5/2011 Musick et al. D14/412

* cited by examiner

Primary Examiner — Cynthia M Chin

(74) *Attorney, Agent, or Firm* — Charles A. Lemaire;
Jonathan M. Rixen; Lemaire Patent Law Firm, P.L.L.C.

(57) **CLAIM**

We claim the ornamental design for single-handed controller for a remote control flying craft, as shown.

DESCRIPTION

FIG. 1 is a side perspective view of single-handed controller for a remote control flying craft.

FIG. 2 is a bottom plan view of the single-handed controller for a remote control flying craft depicted in FIG. 1.

FIG. 3 is a rear view of the single-handed controller for a remote control flying craft of FIG. 1.

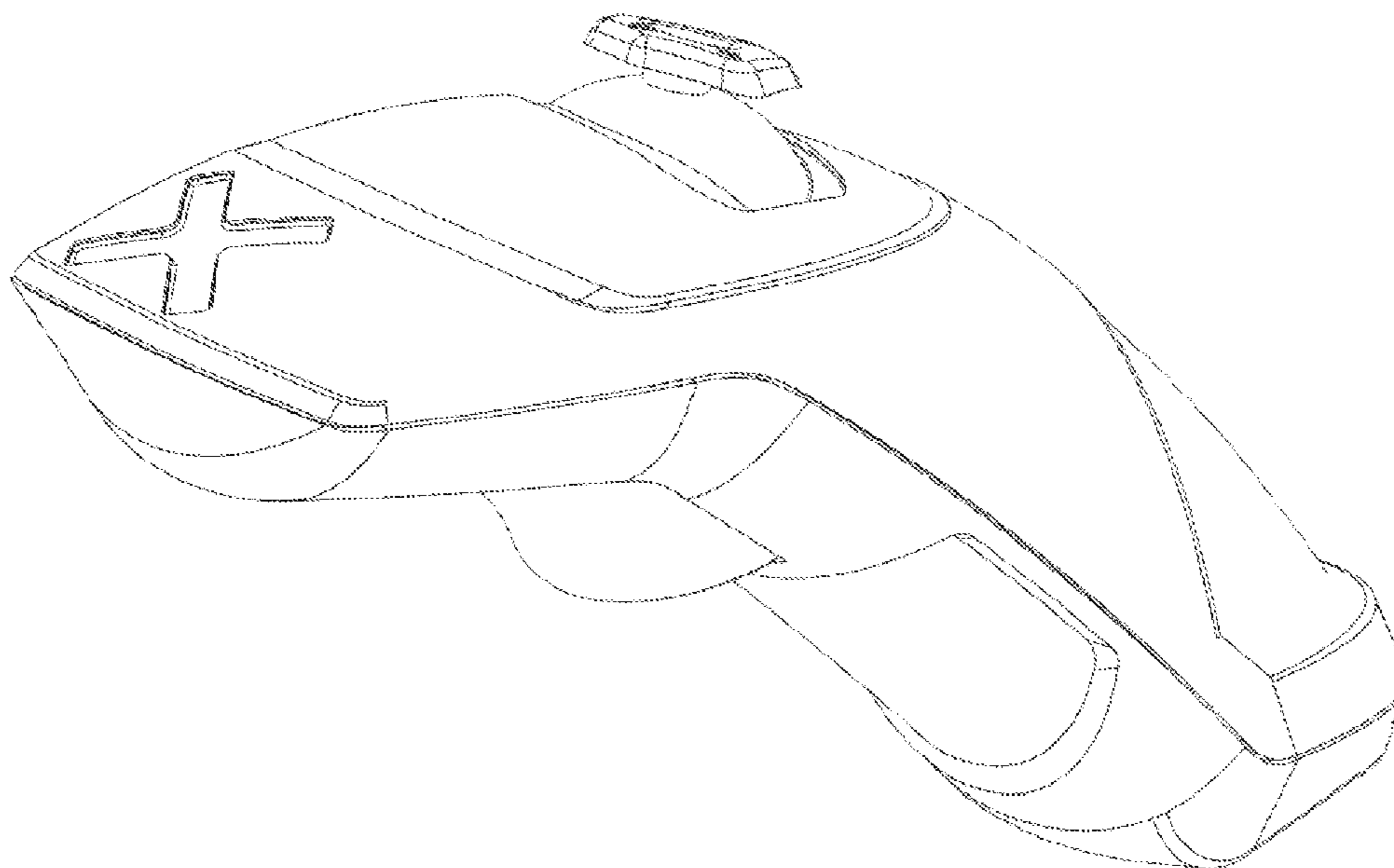
FIG. 4 is a side perspective view of the single-handed controller for a remote control flying craft of FIG. 1.

FIG. 5 is a right side view of the single-handed controller for a remote control flying craft of FIG. 1; and,

FIG. 6 is a top plan view of the single-handed controller for a remote control flying craft of FIG. 1.

The broken lines represent portions of the article that form no part of the claim.

1 Claim, 6 Drawing Sheets



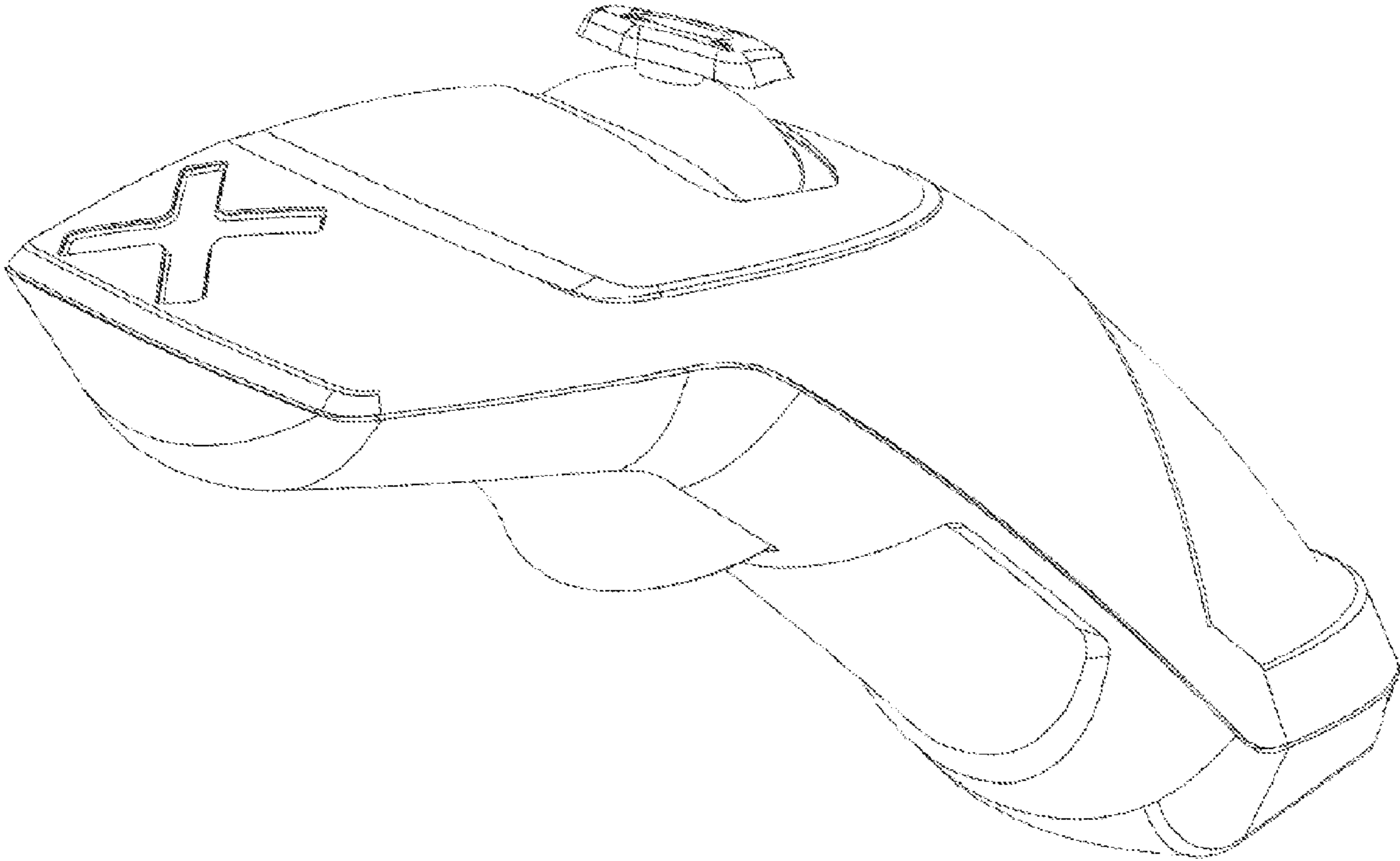


FIG. 1

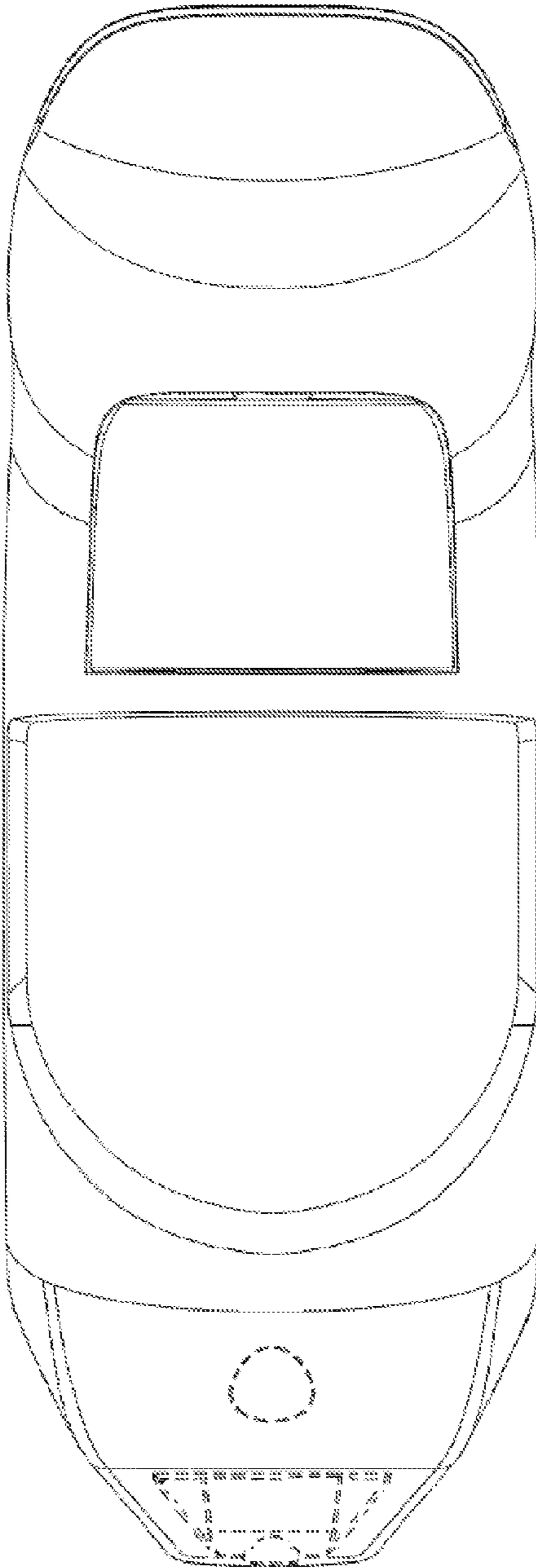


FIG. 2

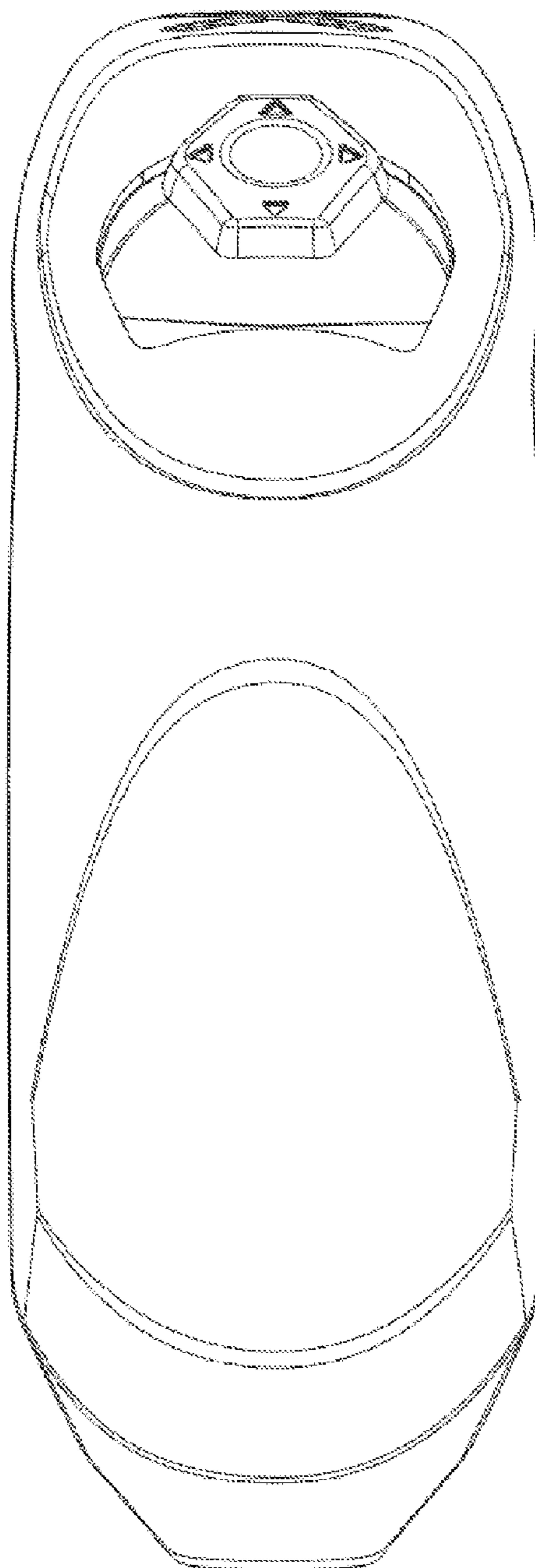


FIG. 3

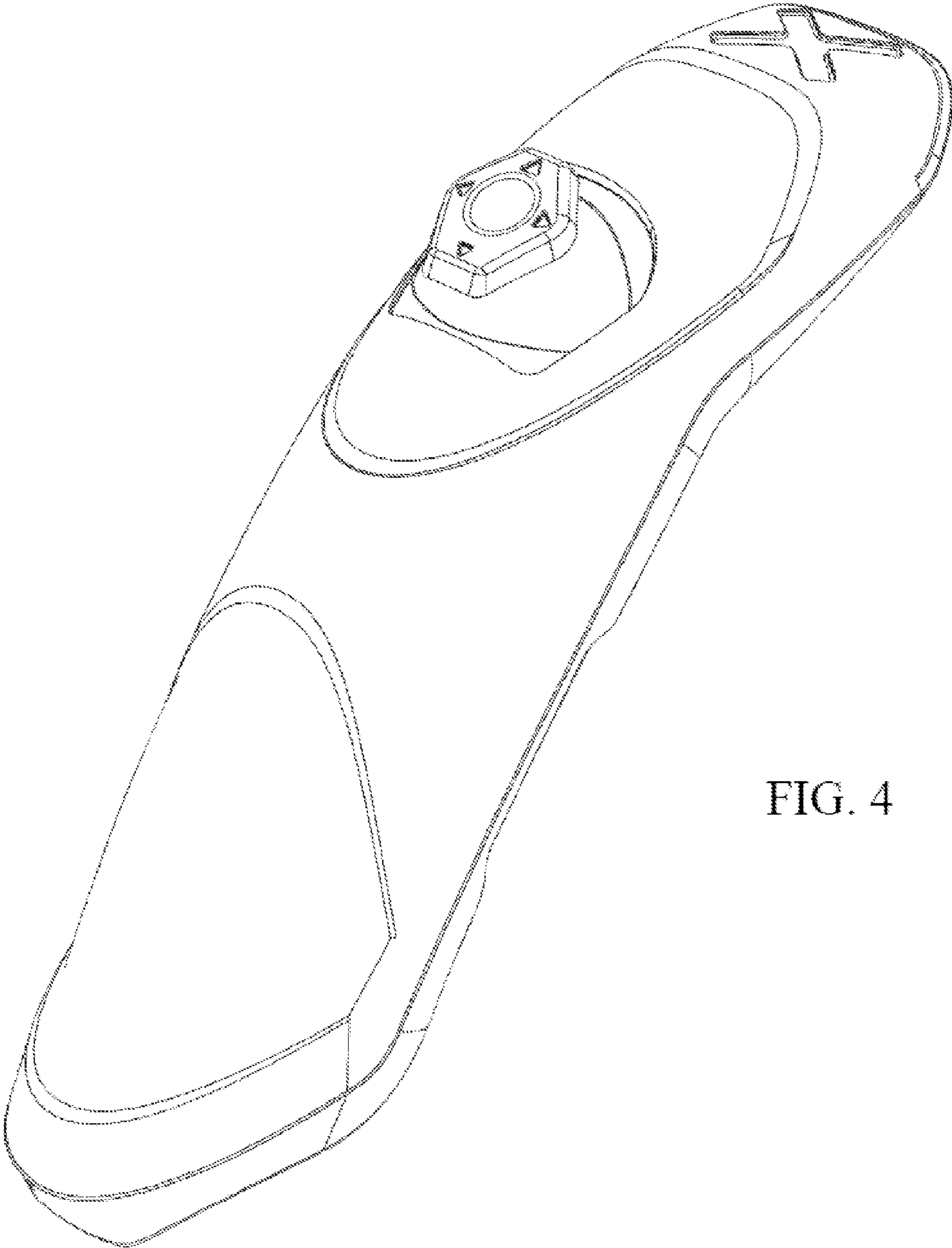


FIG. 4

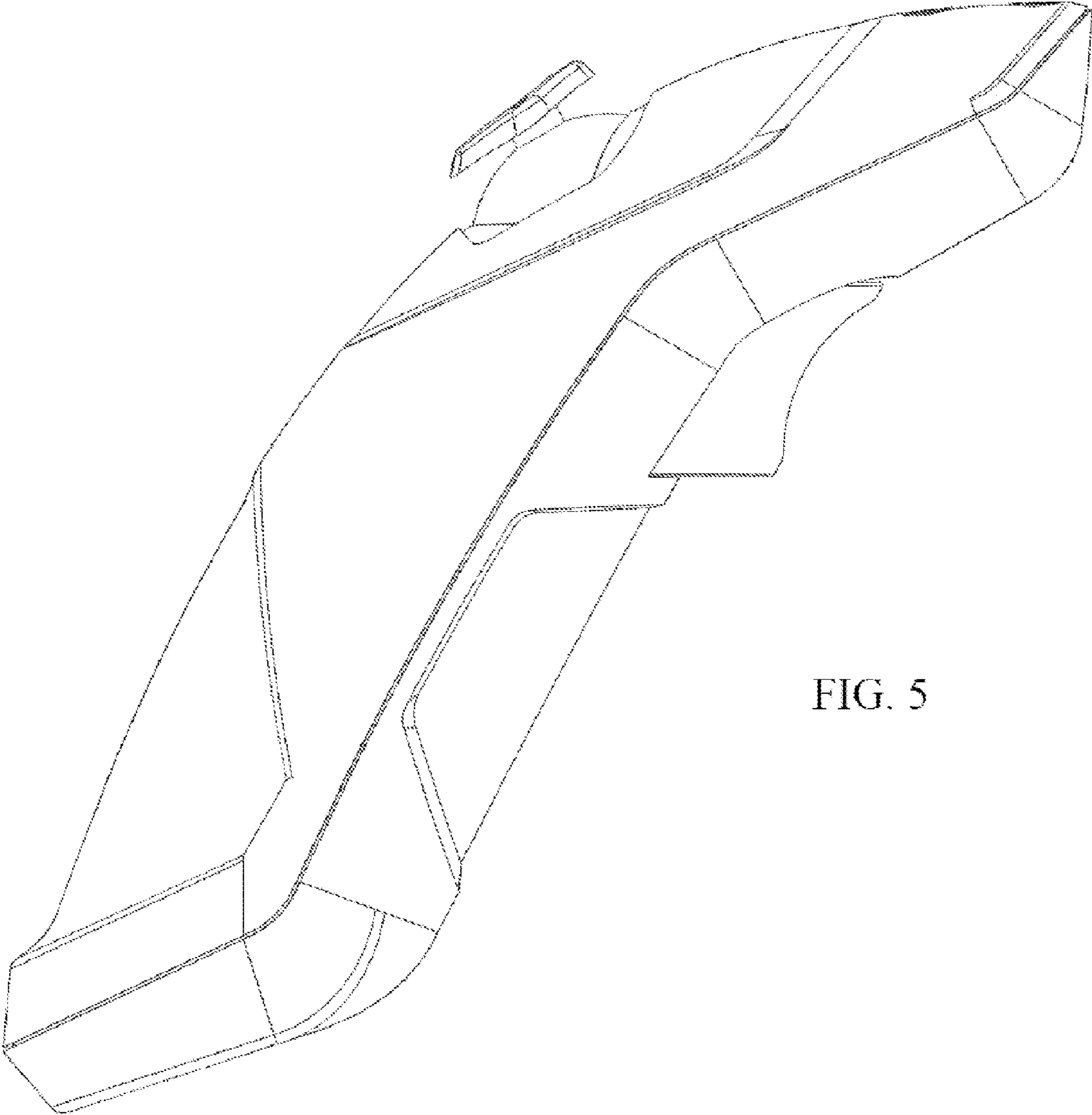


FIG. 5

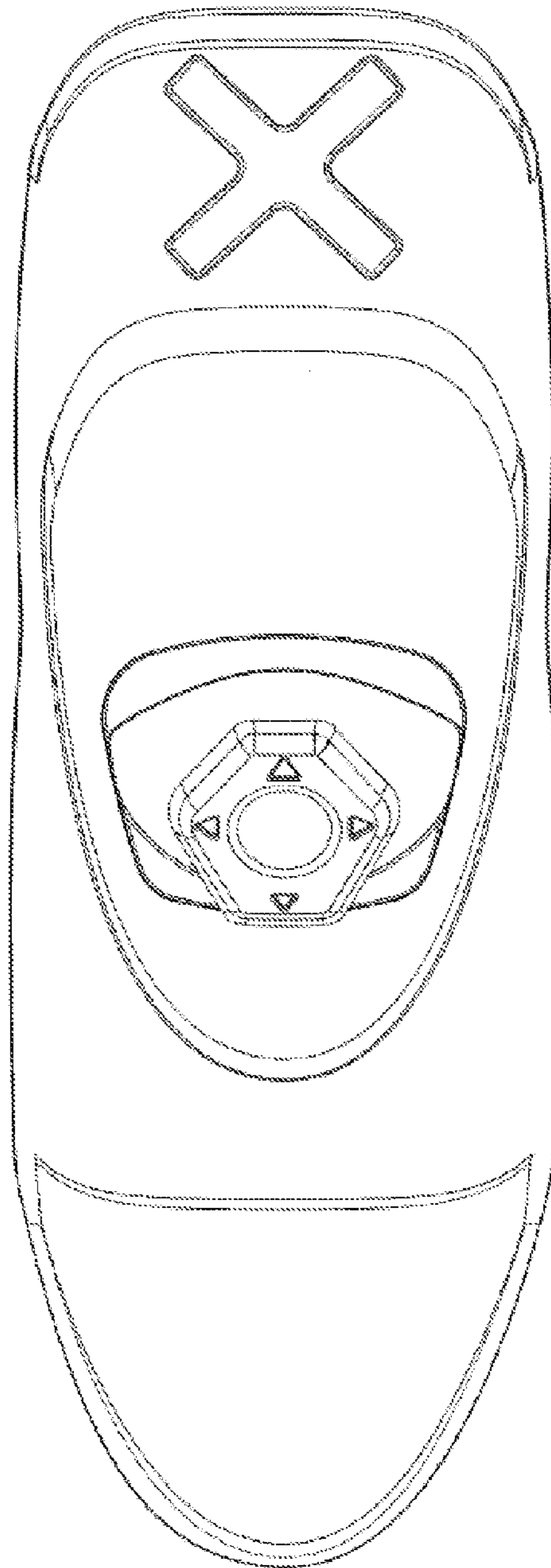


FIG. 6