



US00D691216S

(12) **United States Design Patent**  
**Drori**

(10) **Patent No.:** **US D691,216 S**  
(45) **Date of Patent:** **\*\* Oct. 8, 2013**

- (54) **STAR OF DAVID FLYING DISC**
- (71) Applicant: **Nadav Drori**, Hod-HaSharon (IL)
- (72) Inventor: **Nadav Drori**, Hod-HaSharon (IL)
- (\*\*) Term: **14 Years**
- (21) Appl. No.: **29/436,537**
- (22) Filed: **Nov. 7, 2012**
- (51) **LOC (9) Cl.** ..... **21-02**
- (52) **U.S. Cl.**  
USPC ..... **D21/444**
- (58) **Field of Classification Search**  
USPC ..... D21/301, 312, 436, 437, 441, 443,  
D21/444, 445, 447, 449; D11/1, 7, 41, 43,  
D11/44, 70, 79, 108, 124, 178; D12/319,  
D12/320, 321, 325; 244/2, 158.1-158.3,  
244/12.2, 23 C, 24, 153 A, 153 R; 446/46,  
446/47, 48, 37, 230, 231, 232, 233, 236,  
446/240, 36; 273/317, 348, 359, 362; 473/588,  
473/589, 590, 591  
See application file for complete search history.

D250,518 S *	12/1978	Friedman .....	D11/108
4,203,249 A *	5/1980	Bohm .....	446/48
4,946,173 A *	8/1990	Schlegel et al. ....	473/589
D344,989 S *	3/1994	Bouchakian .....	D21/444
D380,017 S *	6/1997	McGowan et al. ....	D21/443
D405,717 S *	2/1999	Doughty et al. ....	D11/124
D460,375 S *	7/2002	Ambar .....	D11/7
D519,053 S *	4/2006	Meyer .....	D11/70
D539,691 S *	4/2007	Solazzi .....	D11/70
D572,166 S *	7/2008	Freer-Heeter .....	D11/108
D610,933 S *	3/2010	Sandberg .....	D11/1
7,731,196 B2 *	6/2010	Scoccia .....	273/348

\* cited by examiner

*Primary Examiner* — Janice Seeger  
*Assistant Examiner* — Martie K Holtje

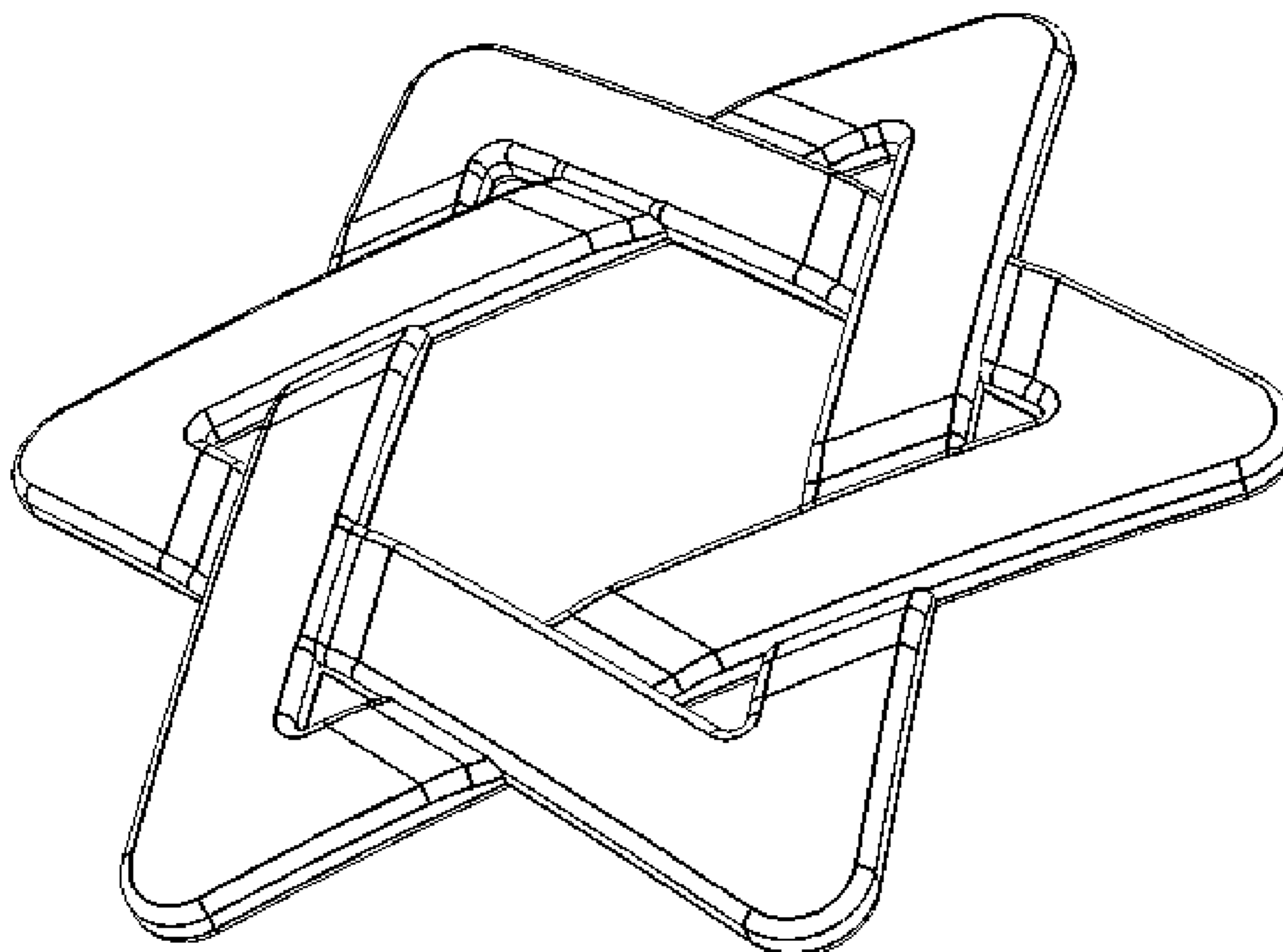
(57) **CLAIM**  
The ornamental design for a Star of David flying disc, as shown.

**DESCRIPTION**

FIG. 1 is a perspective view of a Star of David flying disc showing my new design;  
FIG. 2 is a top view thereof;  
FIG. 3 is a bottom view thereof;  
FIG. 4 is a right side view thereof;  
FIG. 5 is a left side view thereof;  
FIG. 6 is a front view thereof; and,  
FIG. 7 is a rear view thereof.

**1 Claim, 3 Drawing Sheets**

- (56) **References Cited**  
  
U.S. PATENT DOCUMENTS  
341,831 A \* 5/1886 Burns ..... 273/317  
3,019,555 A \* 2/1962 Poticha ..... 446/37  
D205,673 S \* 9/1966 Johnson, Jr. et al. .... D21/445  
3,613,295 A \* 10/1971 Everett ..... 446/46  
D243,346 S \* 2/1977 Samuels ..... D27/192



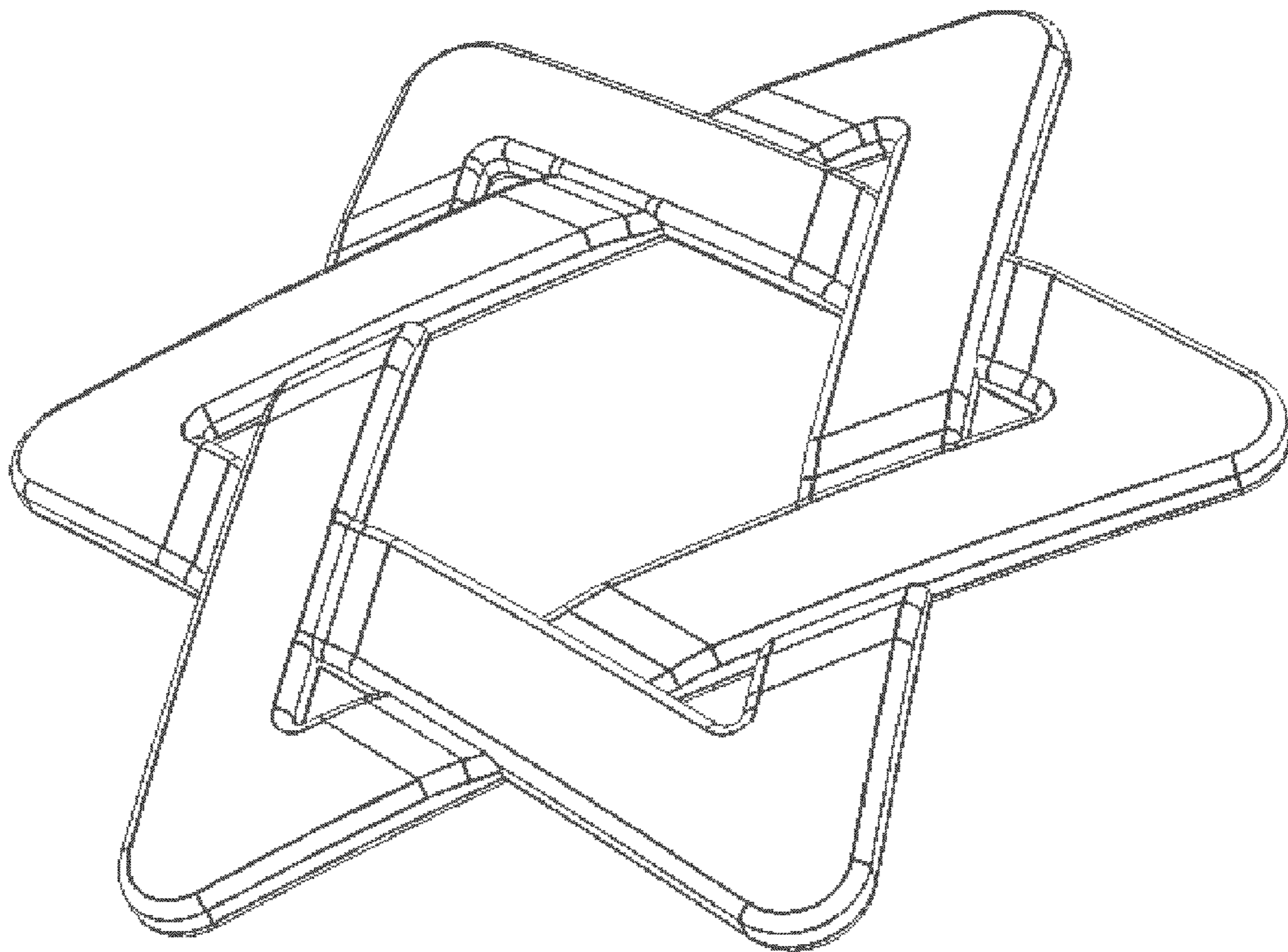


FIG. 1

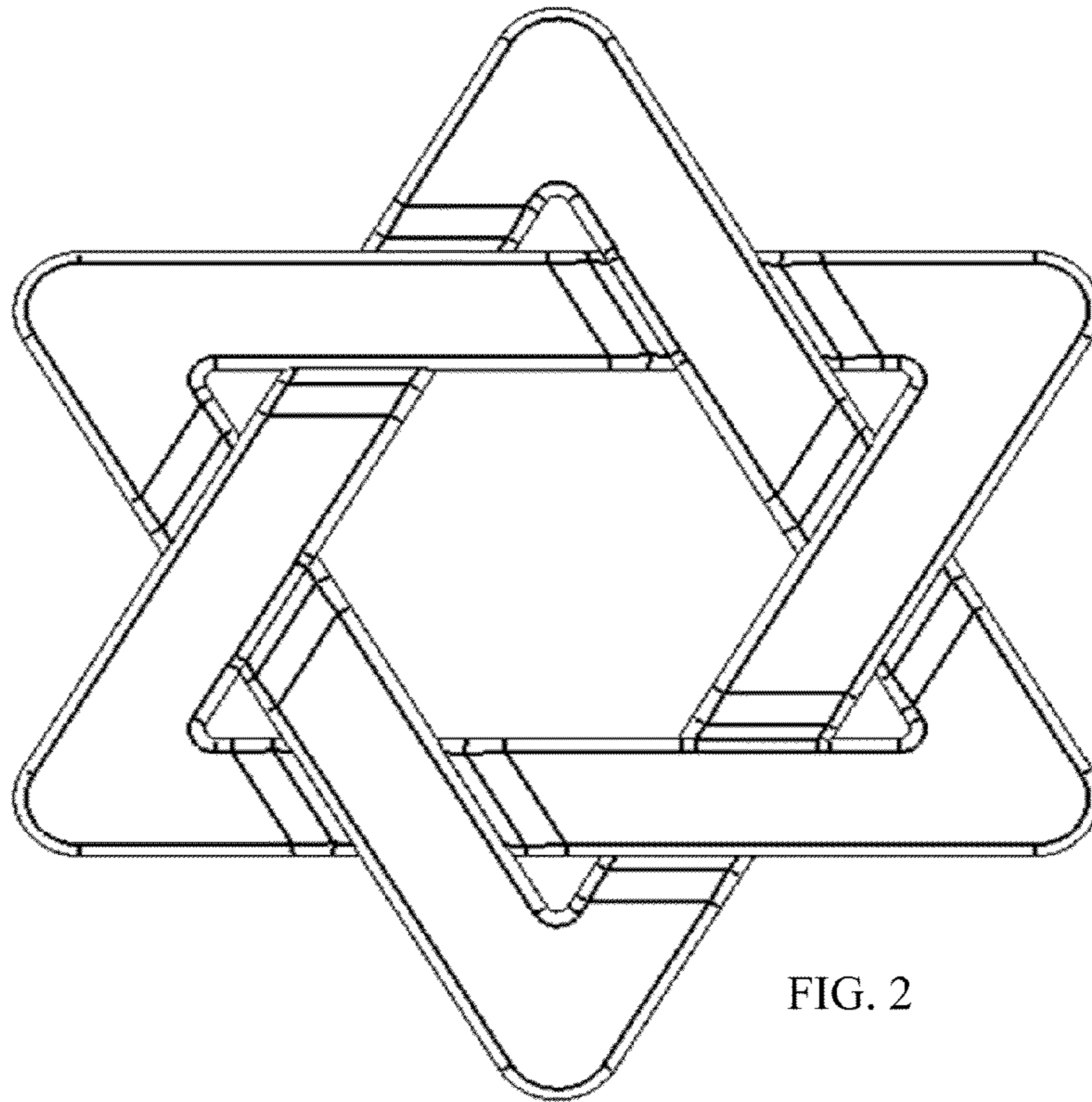


FIG. 2

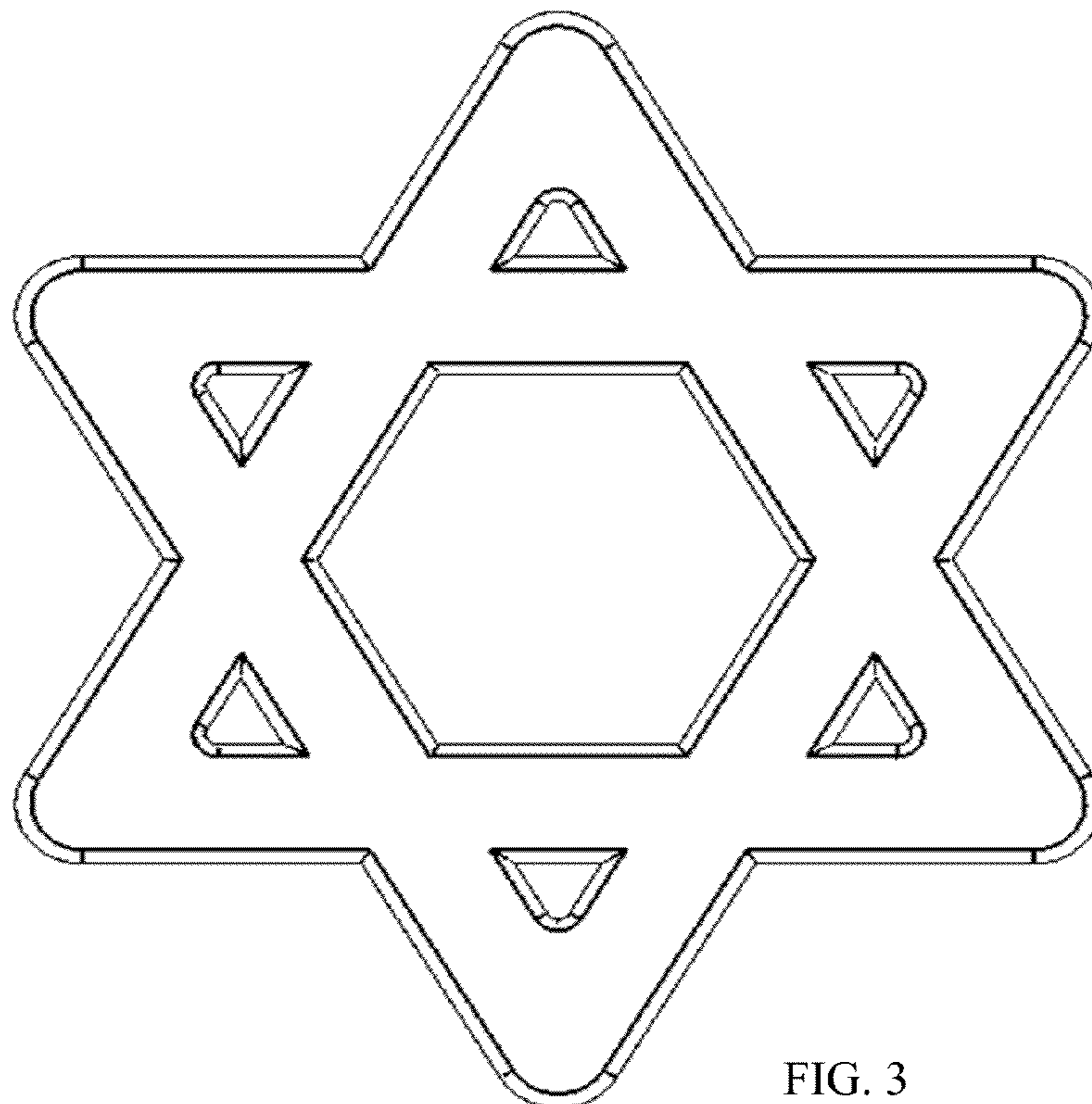


FIG. 3



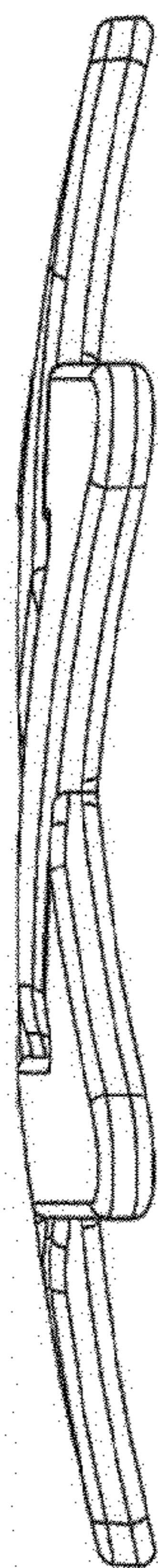


FIG. 4



FIG. 5



FIG. 6



FIG. 7