

US00D691215S

(12) **United States Design Patent**
Madigan

(10) **Patent No.:** **US D691,215 S**
(45) **Date of Patent:** **** Oct. 8, 2013**

- (54) **TETHERED FLYING STUNT TOY**
- (71) Applicant: **Creative Makings, LLC**, Hamilton, NJ (US)
- (72) Inventor: **Ceilidh Madigan**, Hamilton, NJ (US)
- (73) Assignee: **Creative Makings, LLC**, Hamilton, NJ (US)
- (**) Term: **14 Years**
- (21) Appl. No.: **29/440,497**

3,758,057 A	9/1973	Stratton	244/154
3,796,400 A	3/1974	Barrett	244/154
3,886,681 A	6/1975	Marason, Jr.	46/77
4,103,850 A	8/1978	Bushell	244/153 R
4,135,711 A	1/1979	Holt	272/31 A
4,168,816 A	9/1979	Acosta	244/154
4,377,052 A	3/1983	BonDurant	46/79
4,457,478 A *	7/1984	Christoffel et al.	244/155 A
4,530,477 A *	7/1985	Ito et al.	244/153 R
4,892,272 A *	1/1990	Hadzicki	244/153 R
5,254,077 A	10/1993	Nottingham et al.	446/48
D347,032 S *	5/1994	Nieder	D21/449
5,496,202 A *	3/1996	Pons	446/64
D393,293 S *	4/1998	Romswinkel	D21/445
D428,072 S	7/2000	Wang	D21/453
D428,451 S	7/2000	Wang	D21/453

(Continued)

- (22) Filed: **Dec. 21, 2012**
- (51) **LOC (9) Cl.** **21-01**
- (52) **U.S. Cl.**
USPC **D21/436**; D21/445; D21/449
- (58) **Field of Classification Search**
USPC D12/321, 326, 327, 328, 329, 331-334, D12/337, 338, 339, 344, 345; D21/312, D21/333, 436, 437, 445, 446, 447, 448, 449, D21/450, 451, 452, 453, 438; 280/1.12; 244/2, 5, 6, 7 C, 7 R, 7 A, 8, 16, 24, 31, 153 R, 244/154, 158.2, 159.4, 900, 901, 902; 446/31, 446/34-38, 57-60, 61, 62, 64, 67, 48, 230-232, 446/235, 236; 472/130

See application file for complete search history.

Primary Examiner — Janice Seeger

Assistant Examiner — Martie K Holtje

(74) *Attorney, Agent, or Firm* — Sunstein Kann Murphy & Timbers LLP

(57) **CLAIM**

The ornamental design for a tethered flying stunt toy, as shown and described.

DESCRIPTION

FIG. 1 is a top, left front perspective view of a tethered flying stunt toy showing my new design;
 FIG. 2 is a bottom, left front perspective view thereof;
 FIG. 3 is a front elevational view thereof;
 FIG. 4 is a rear elevational view thereof;
 FIG. 5 is a top plan view thereof;
 FIG. 6 is a bottom plan view thereof;
 FIG. 7 is a right side elevational view thereof; and,
 FIG. 8 is a left side elevational view thereof.

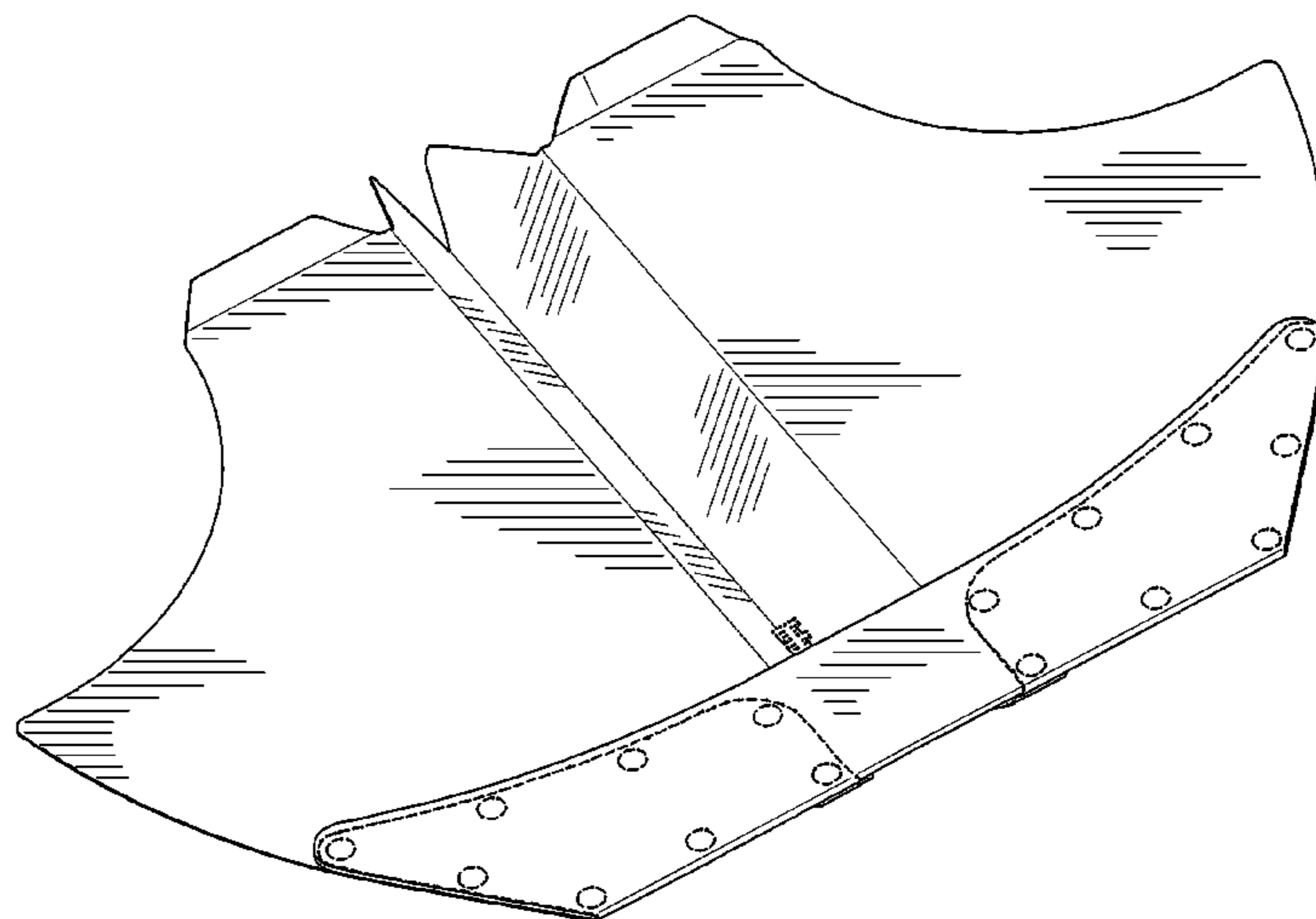
The elements depicted by broken lines in the views have been shown for the purpose of illustrating portions of the tethered flying stunt toy that form no part of the claimed design.

1 Claim, 6 Drawing Sheets

(56) **References Cited**

U.S. PATENT DOCUMENTS

927,815 A *	7/1909	Rupp	446/67
2,124,992 A	7/1938	Wood	244/154
2,718,092 A *	9/1955	Grant	446/61
2,947,108 A	8/1960	Dodd, Jr. et al.	46/77
3,003,722 A *	10/1961	Pohl	244/153 R
3,534,932 A *	10/1970	Phillips et al.	244/153 R
3,724,123 A	4/1973	Lemelson	46/78
3,733,737 A	5/1973	Goodman	46/79
3,746,286 A *	7/1973	Christoffel	244/155 A
3,752,424 A	8/1973	Battles	244/155 R



(56)

References Cited

U.S. PATENT DOCUMENTS

6,217,404 B1 4/2001 Liao 446/67
6,357,697 B1 * 3/2002 Wu 244/153 R
6,386,483 B1 5/2002 Tsai 244/153
D482,076 S 11/2003 Tabor D21/438
6,640,483 B2 * 11/2003 Nelson 43/3

6,663,050 B2 12/2003 Tabor 244/154
6,722,613 B1 * 4/2004 Phillips et al. 244/153 R
7,204,459 B2 * 4/2007 Thomas 244/153 R
D597,148 S 7/2009 Lin D21/448
D628,244 S 11/2010 Fish D21/449
2007/0077853 A1 4/2007 Datl 446/63
2010/0330866 A1 * 12/2010 Suzuki 446/57

* cited by examiner

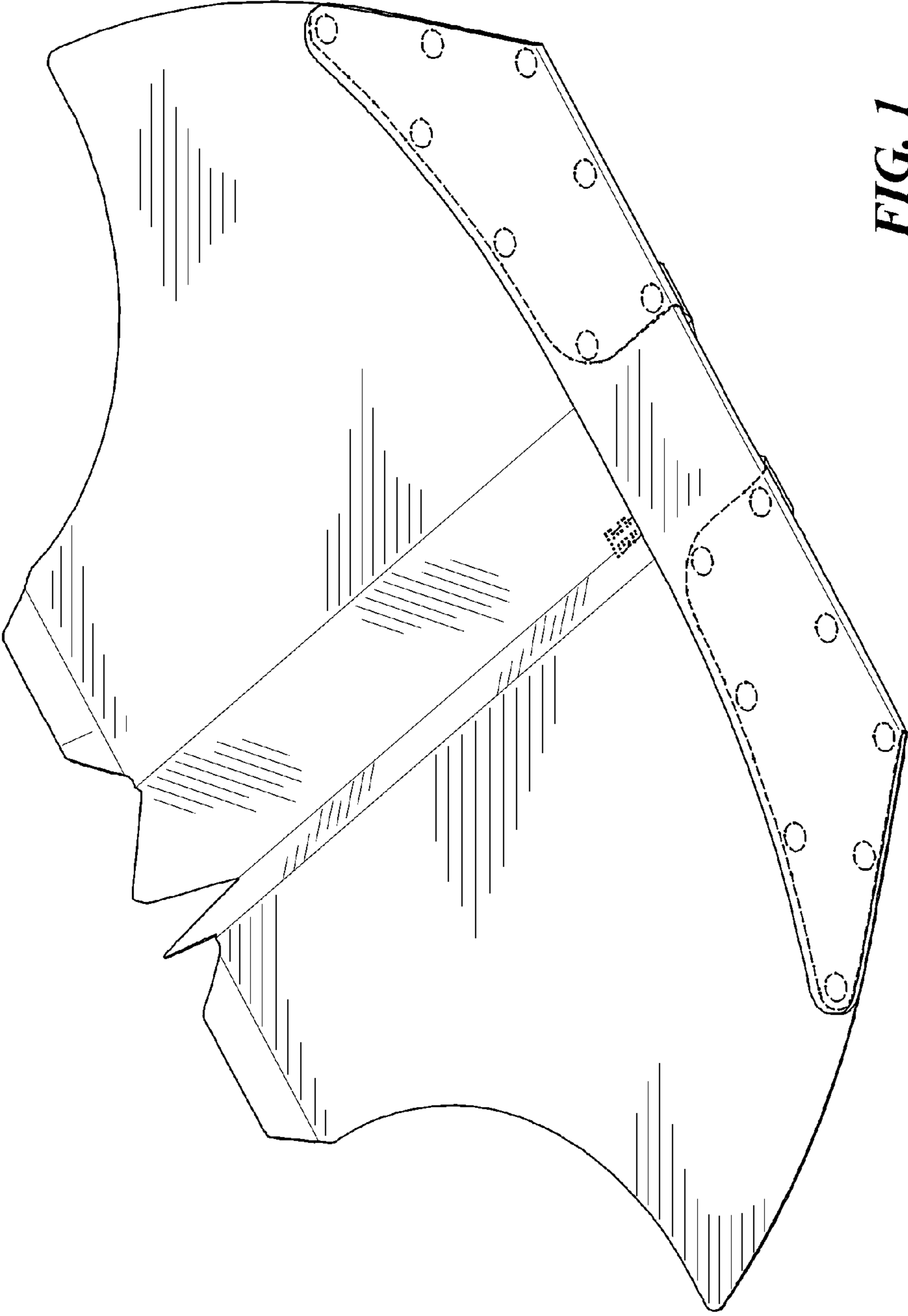


FIG. 1

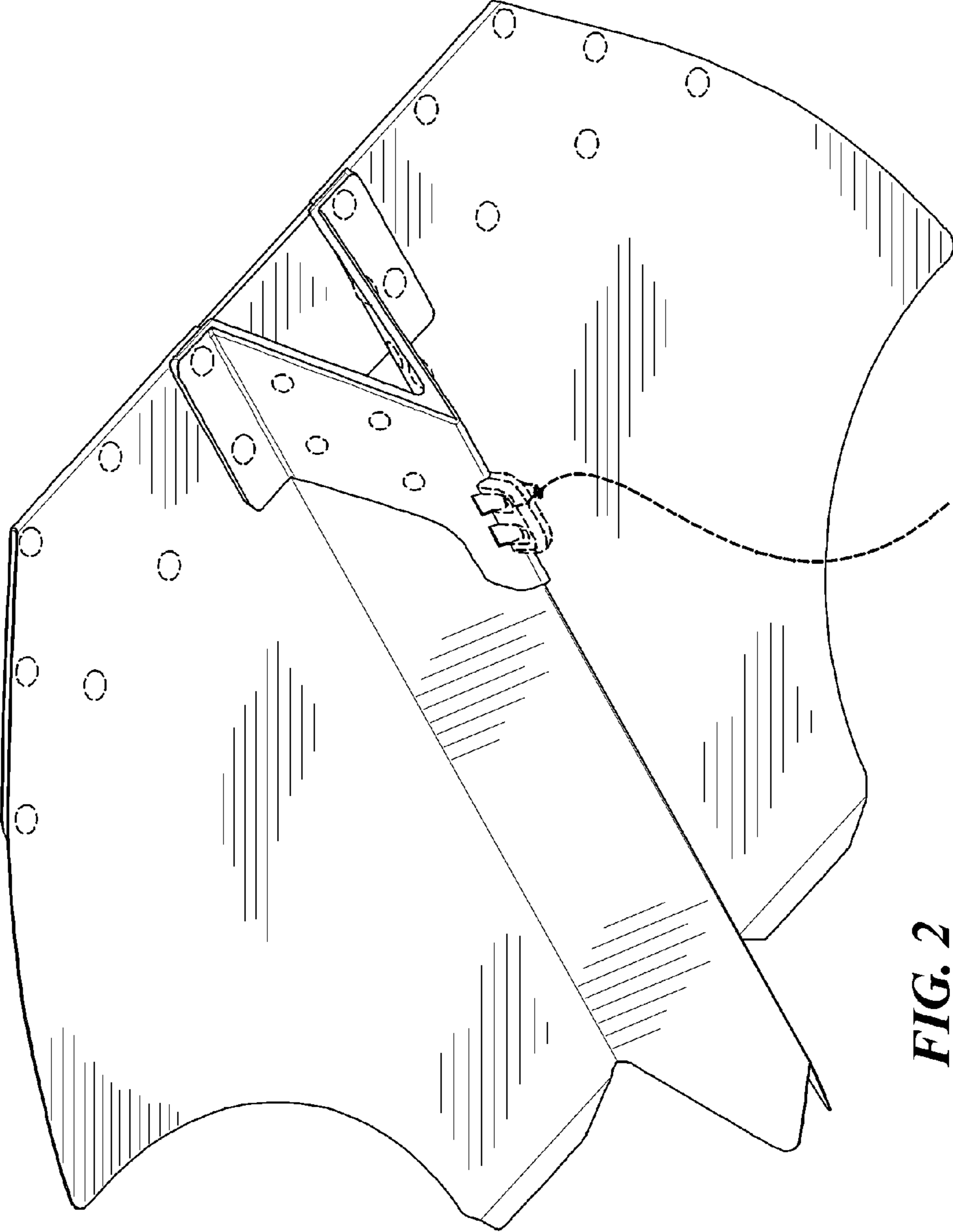


FIG. 2

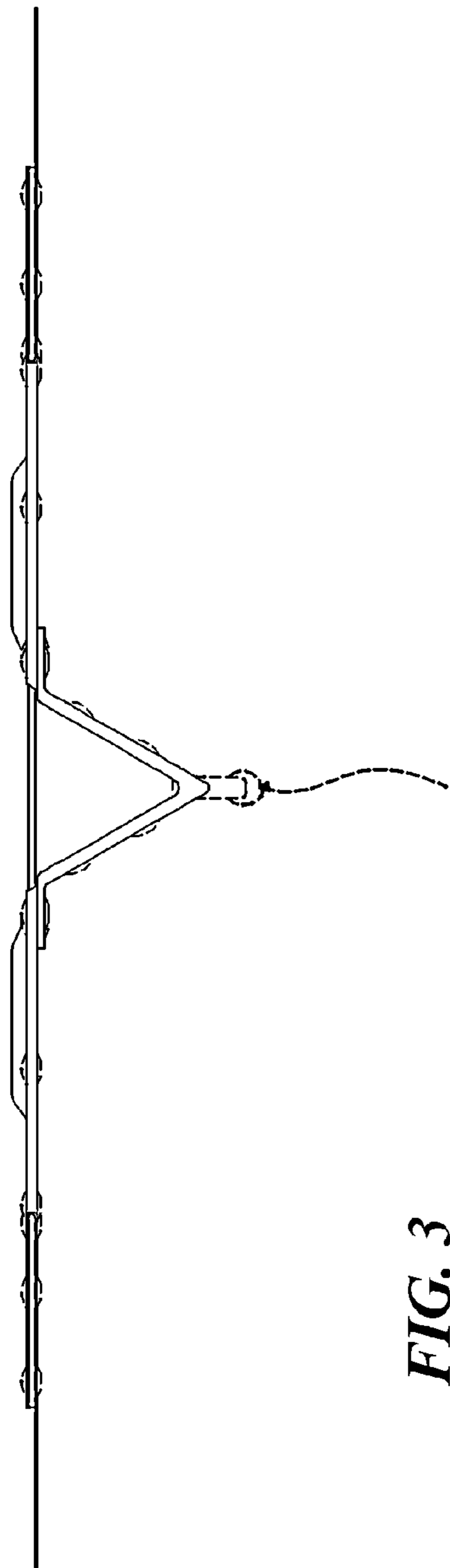


FIG. 3

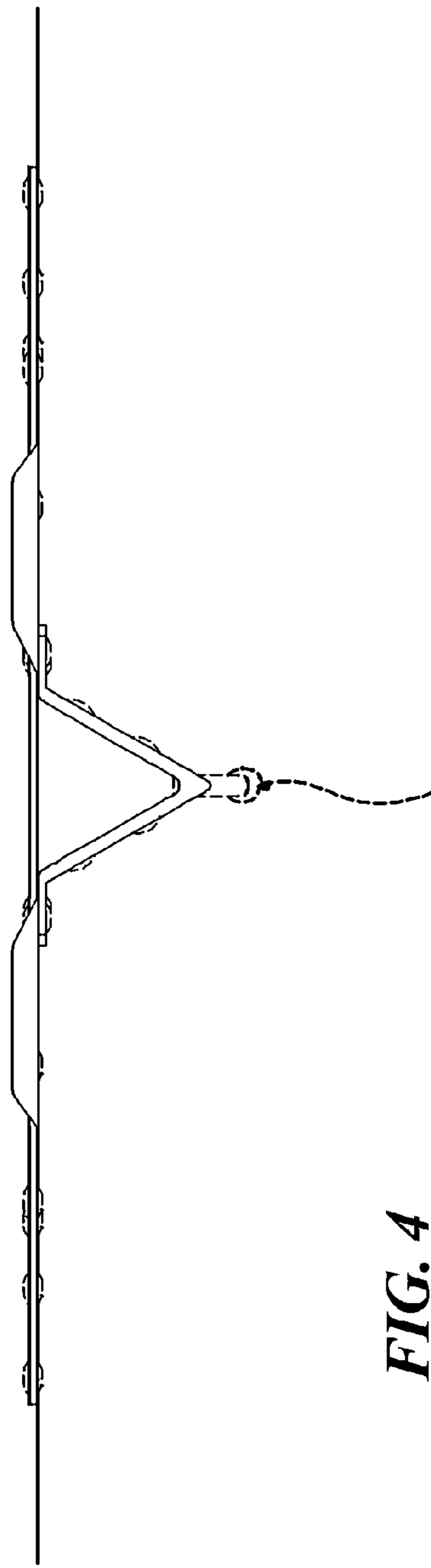


FIG. 4

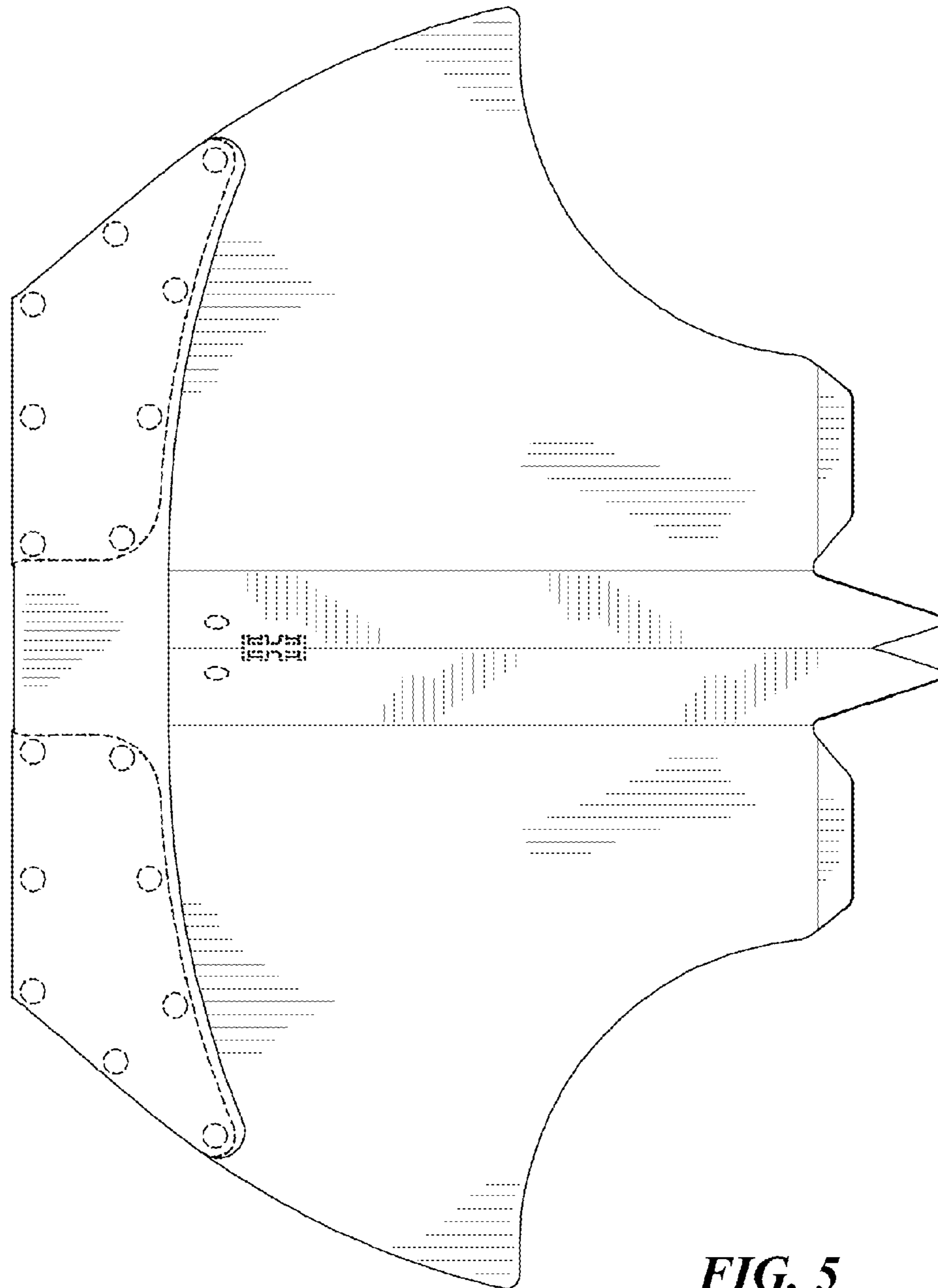


FIG. 5

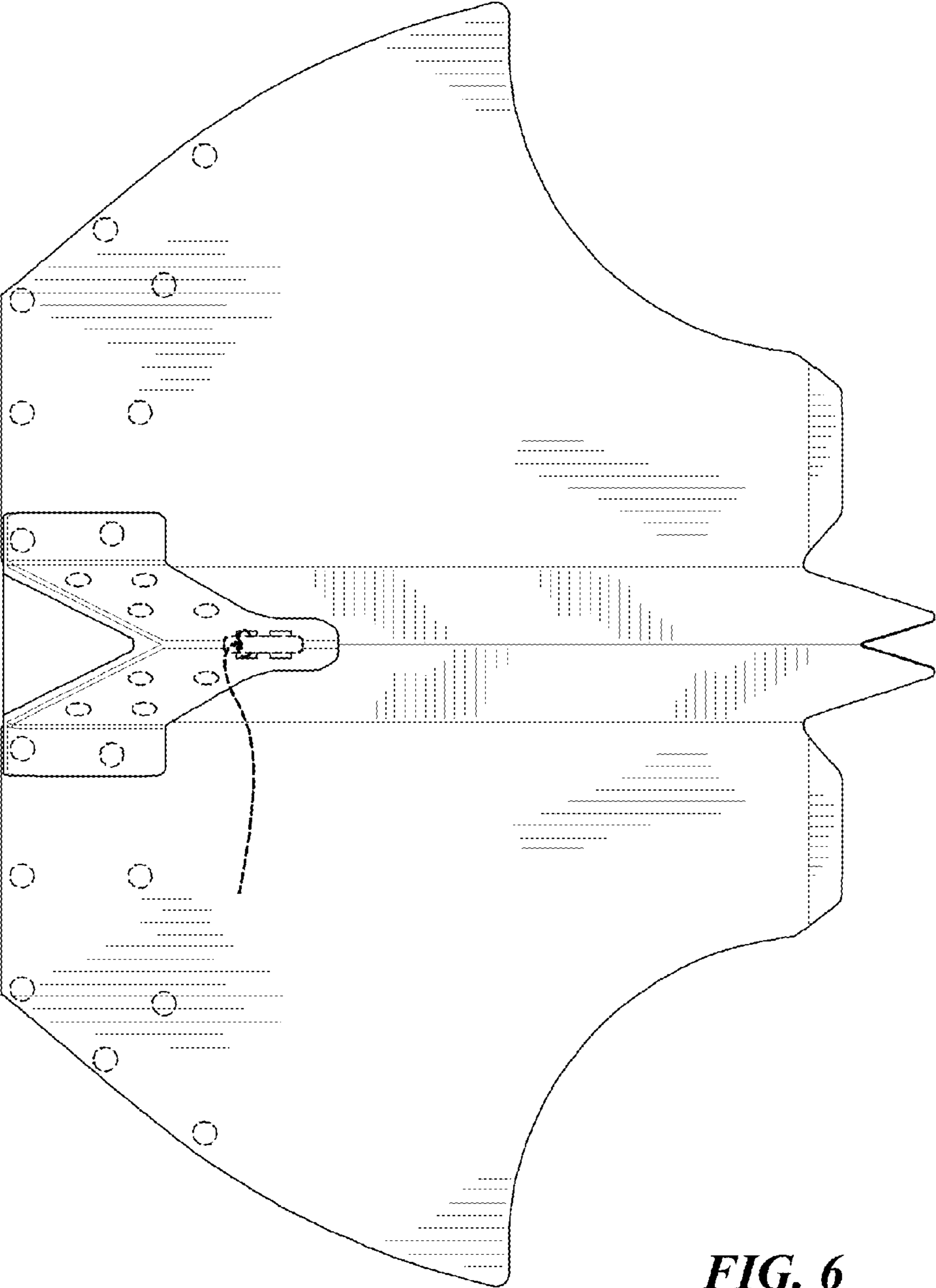


FIG. 6

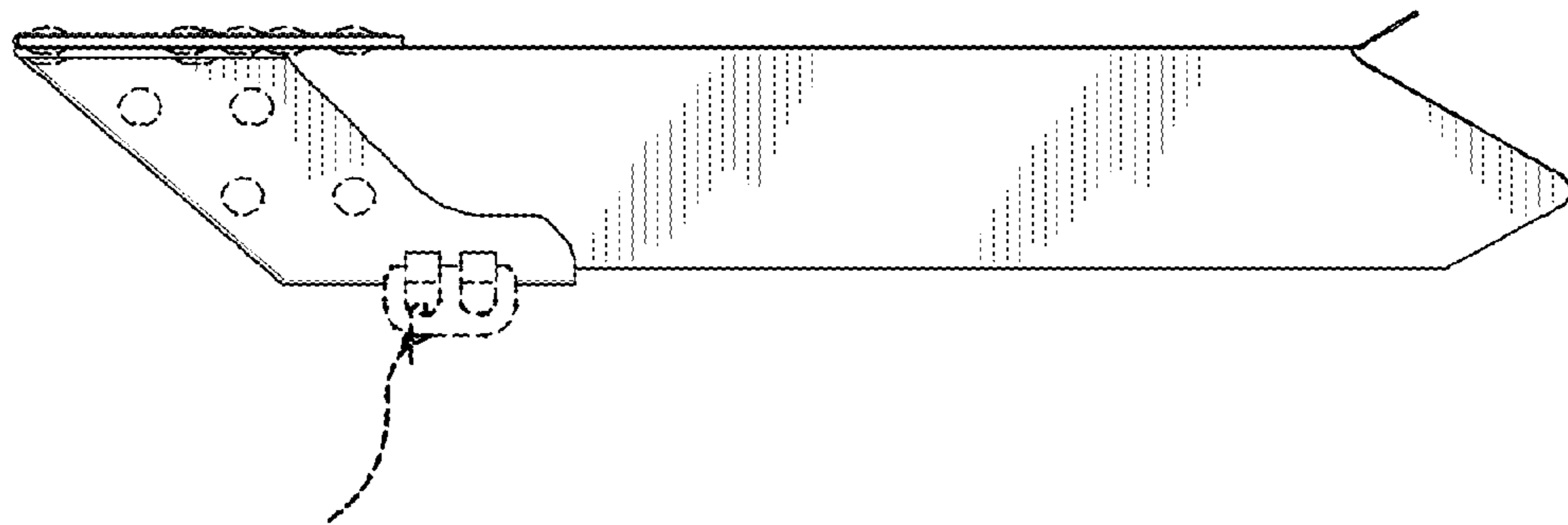


FIG. 7

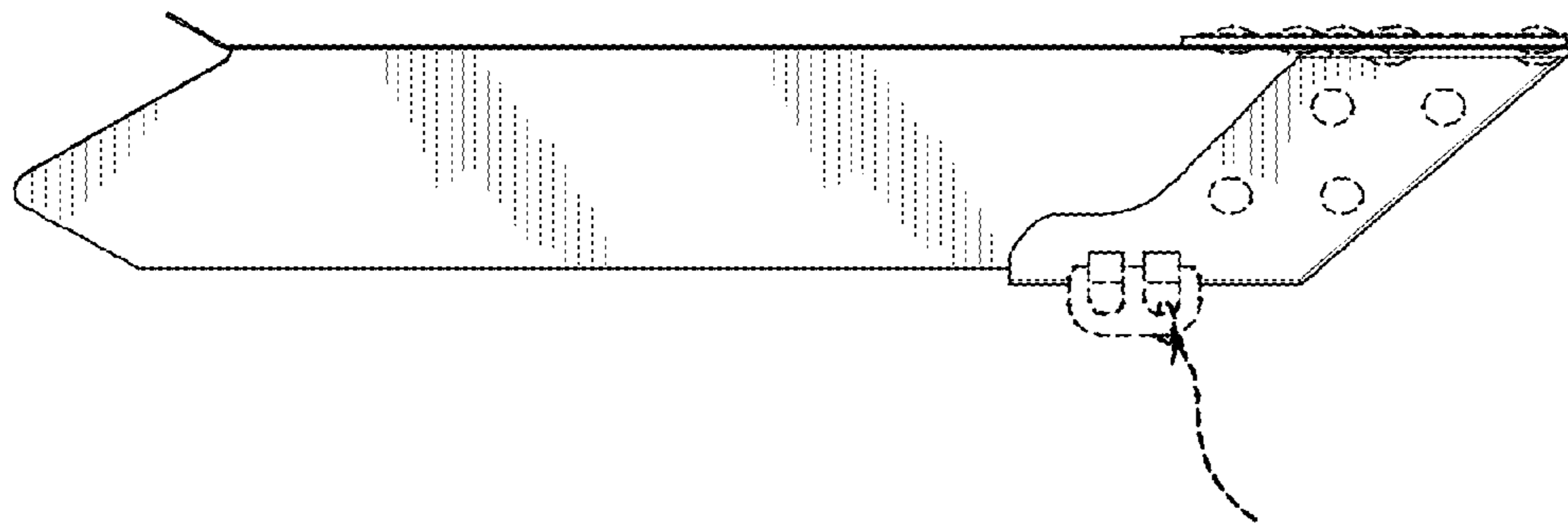


FIG. 8