

US00D691214S

(12) **United States Design Patent**  
**Petutschnig**

(10) **Patent No.:** **US D691,214 S**

(45) **Date of Patent:** **\*\* Oct. 8, 2013**

(54) **SCOOTER**

(75) Inventor: **Hubert Petutschnig**, Brunn/Gebirge  
(DE)

(73) Assignee: **Hubert Petutschnig**, Brunn/Gebirge

(\*\*) Term: **14 Years**

(21) Appl. No.: **29/424,970**

(22) Filed: **Jun. 18, 2012**

(30) **Foreign Application Priority Data**

Dec. 19, 2011 (EM) ..... 001308134-0001

(51) **LOC (9) Cl.** ..... **21-01**

(52) **U.S. Cl.**  
USPC ..... **D21/423**

(58) **Field of Classification Search**  
USPC ..... D21/419, 421, 423, 426, 769, 760,  
D21/765, 771, 803; D12/1, 8; 280/14.21,  
280/14.25, 14.26, 87.041, 87.042, 263, 288.1,  
280/288.2, 288.4, 200, 214, 809; 180/180,  
180/181  
See application file for complete search history.

(56) **References Cited**

**U.S. PATENT DOCUMENTS**

D301,157 S \* 5/1989 Hess ..... D21/423  
6,206,388 B1 \* 3/2001 Ouboter ..... 280/87.042

D445,145 S \* 7/2001 Yang ..... D21/423  
D446,258 S \* 8/2001 Wang ..... D21/423  
D446,555 S \* 8/2001 Bang ..... D21/423  
6,343,798 B1 \* 2/2002 Chen et al. .... 280/5.26  
6,398,238 B1 \* 6/2002 Shaw ..... 280/87.042  
D460,788 S \* 7/2002 Kwok ..... D21/423  
6,494,470 B2 \* 12/2002 Chang ..... 280/87.041  
D475,093 S \* 5/2003 Furter et al. .... D21/423

\* cited by examiner

*Primary Examiner* — Cynthia M Chin

(74) *Attorney, Agent, or Firm* — Henry M. Feiereisen LLC;  
Ursula B. Day

(57) **CLAIM**

The ornamental design for a scooter, as shown and described.

**DESCRIPTION**

FIG. 1 is a front left side perspective view of a scooter showing my new design;  
FIG. 2 is a front elevational view thereof;  
FIG. 3 is a rear elevational view thereof;  
FIG. 4 is a right side elevational view thereof;  
FIG. 5 is a left side elevational view thereof;  
FIG. 6 is a top plan view of thereof; and,  
FIG. 7 is a bottom plan view thereof.  
The broken lines represent portions of the article that form no part of the claim.

**1 Claim, 5 Drawing Sheets**

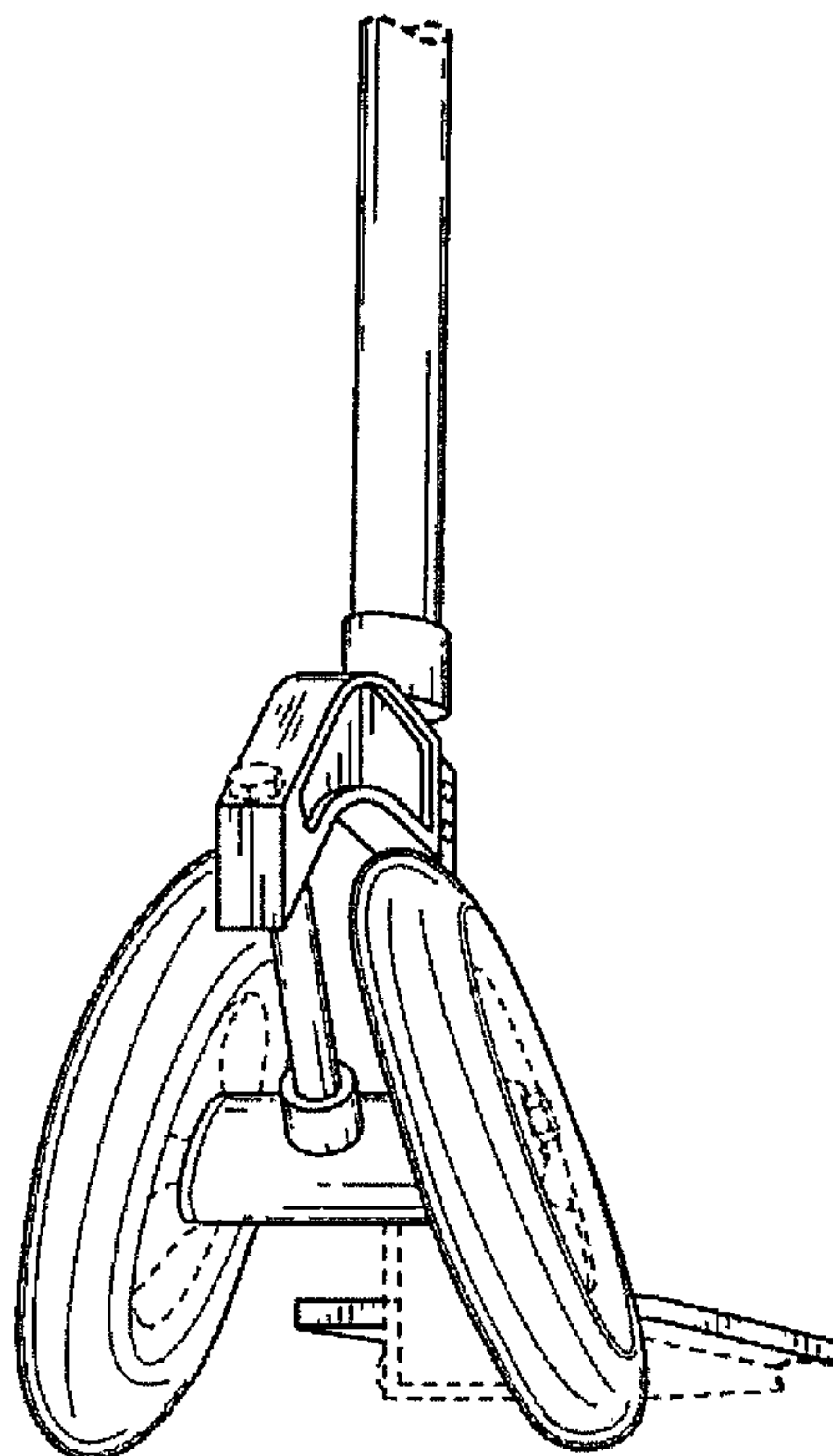


FIG. 1

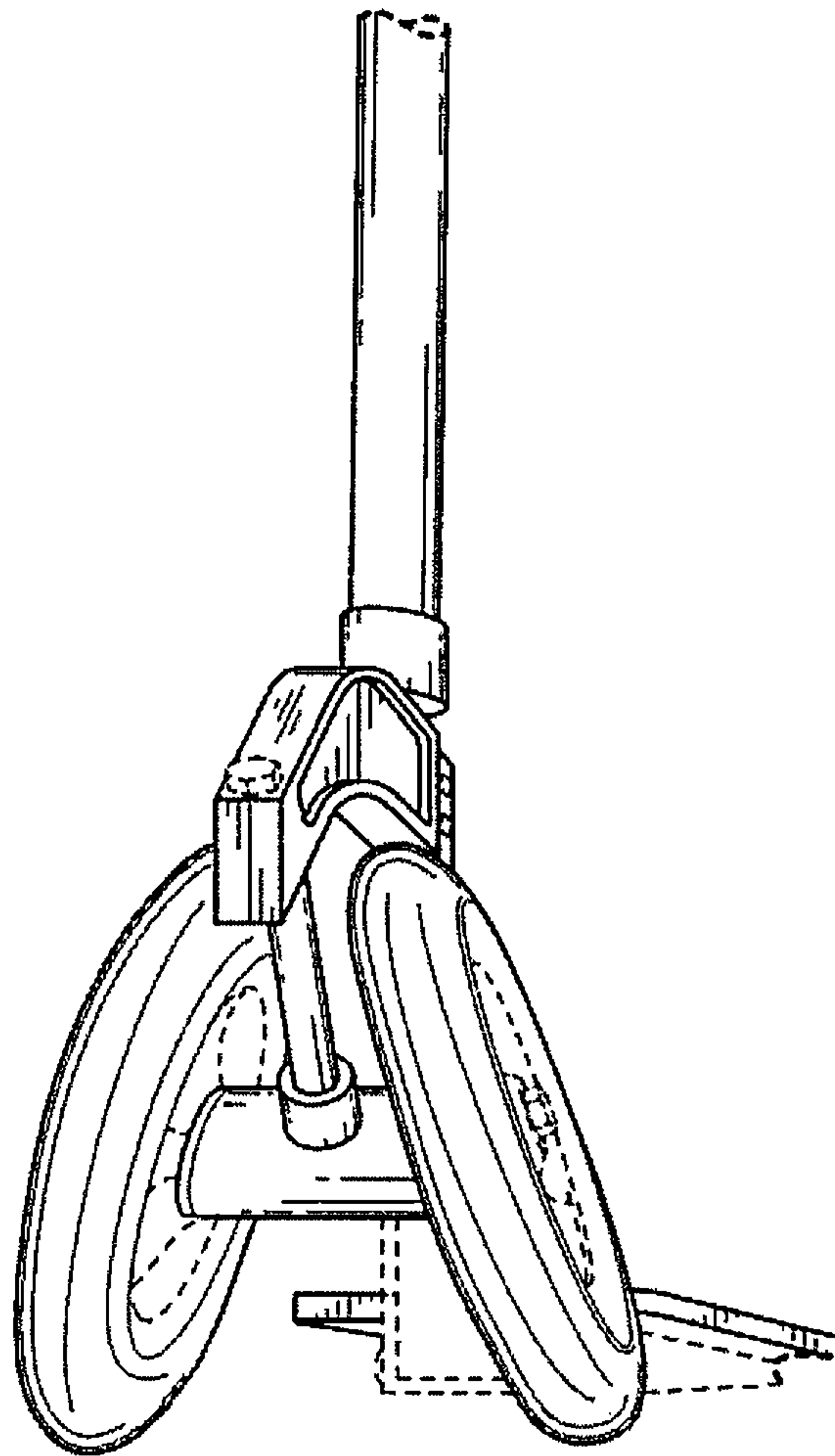


FIG. 2

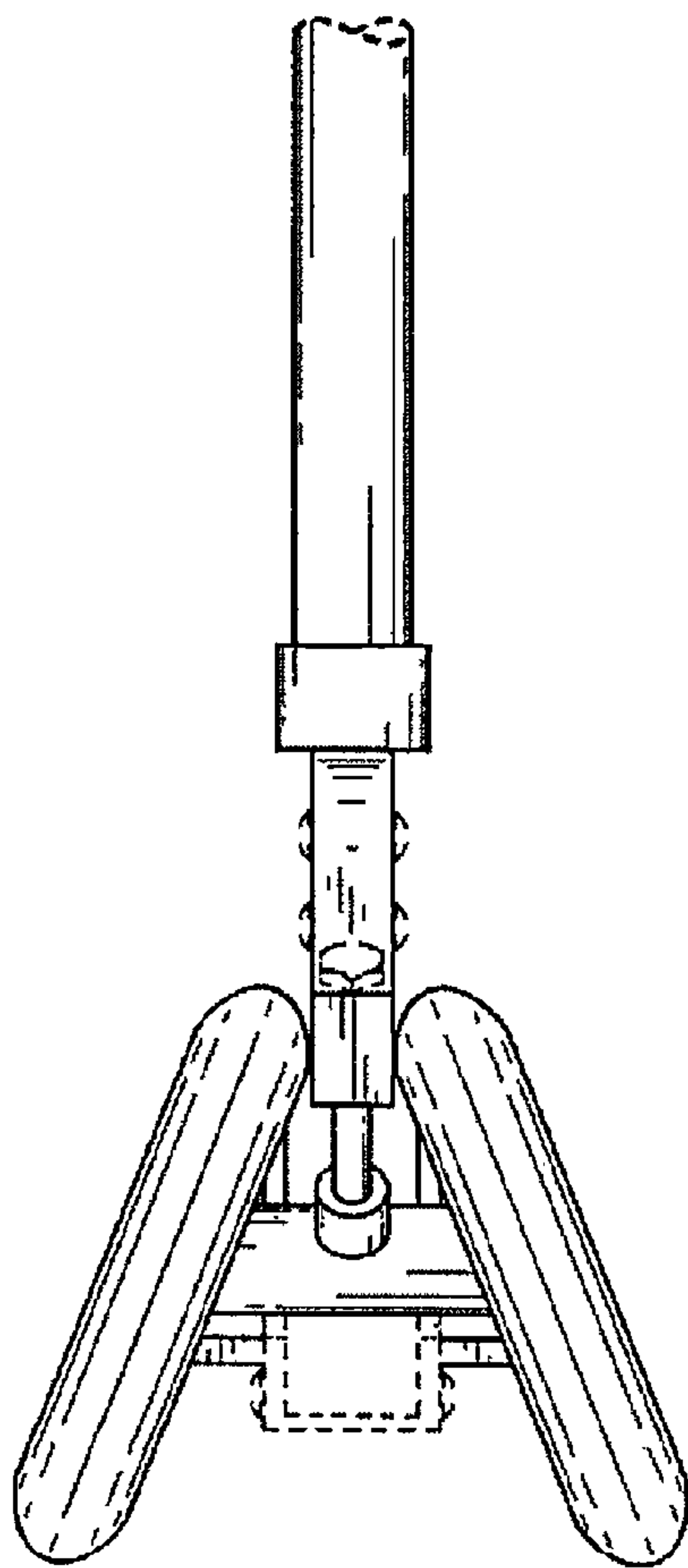
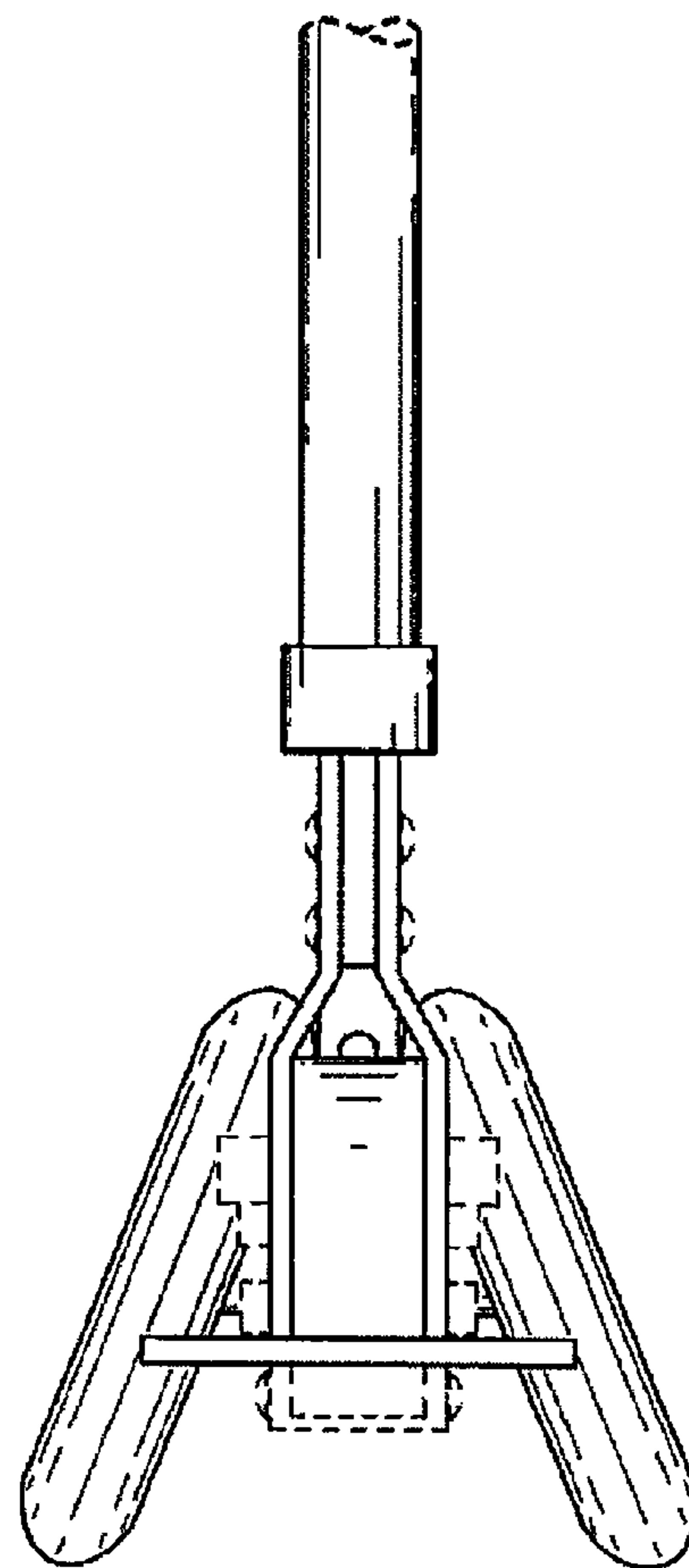


FIG. 3



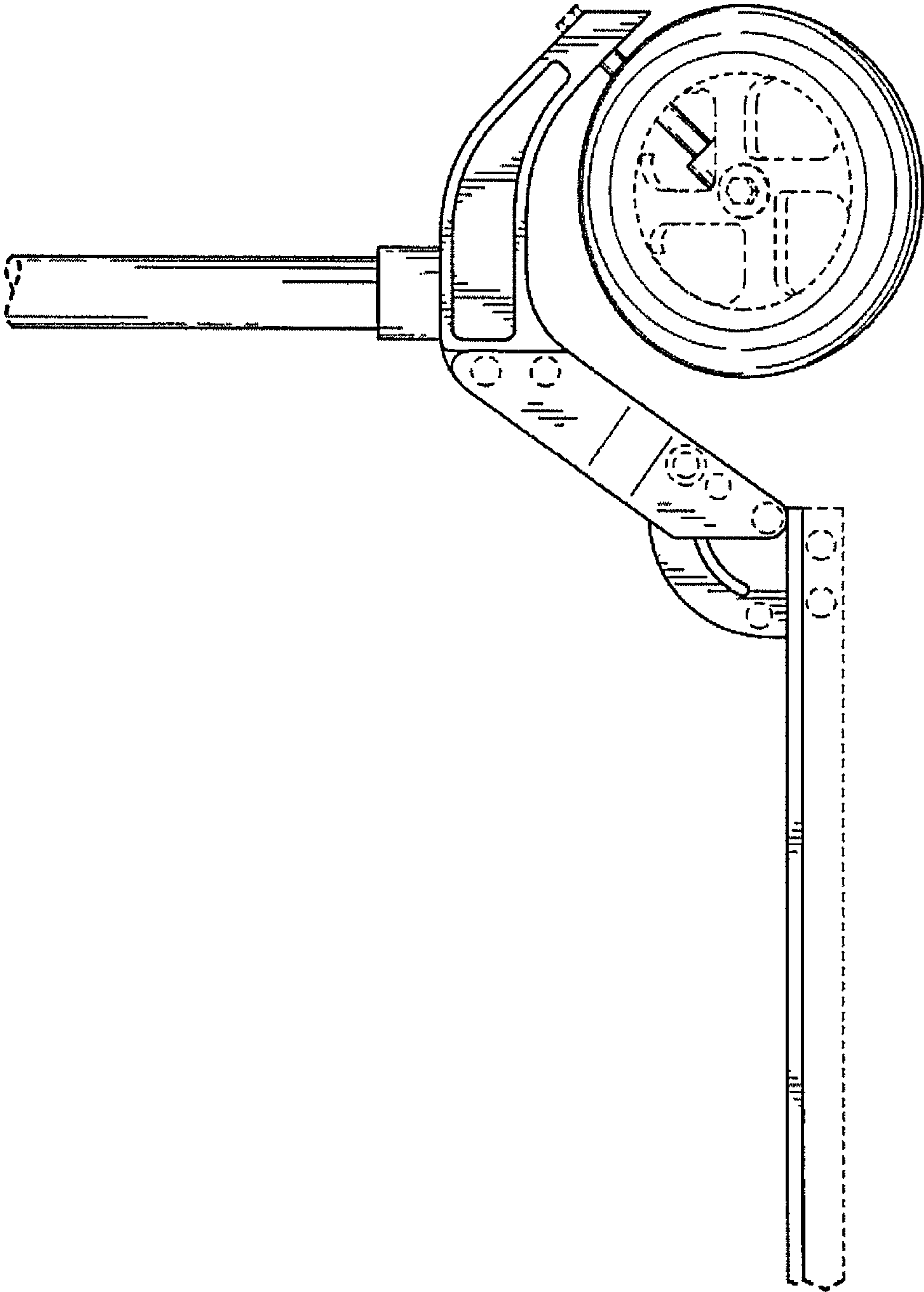


FIG. 4

FIG. 5

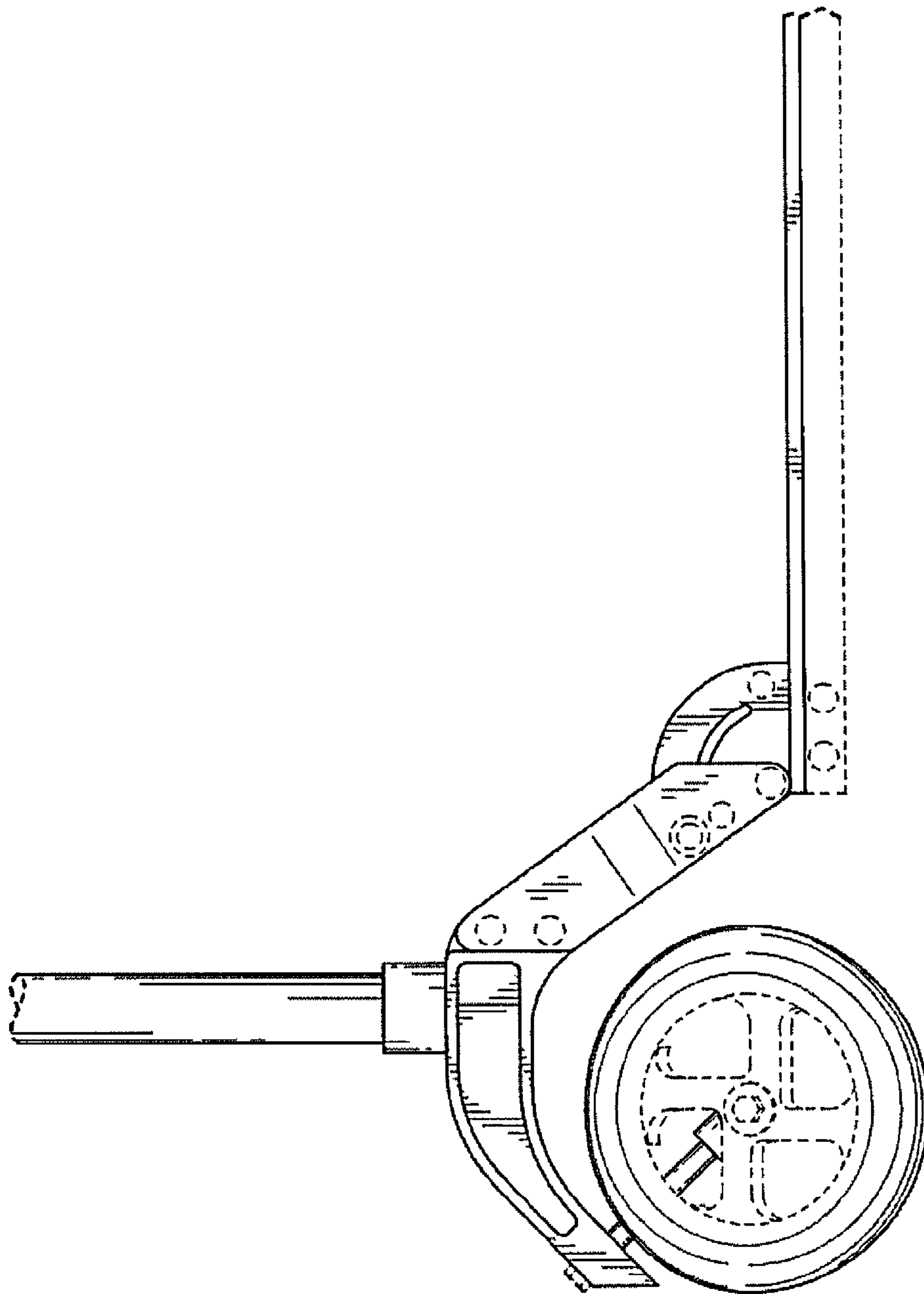


FIG. 6

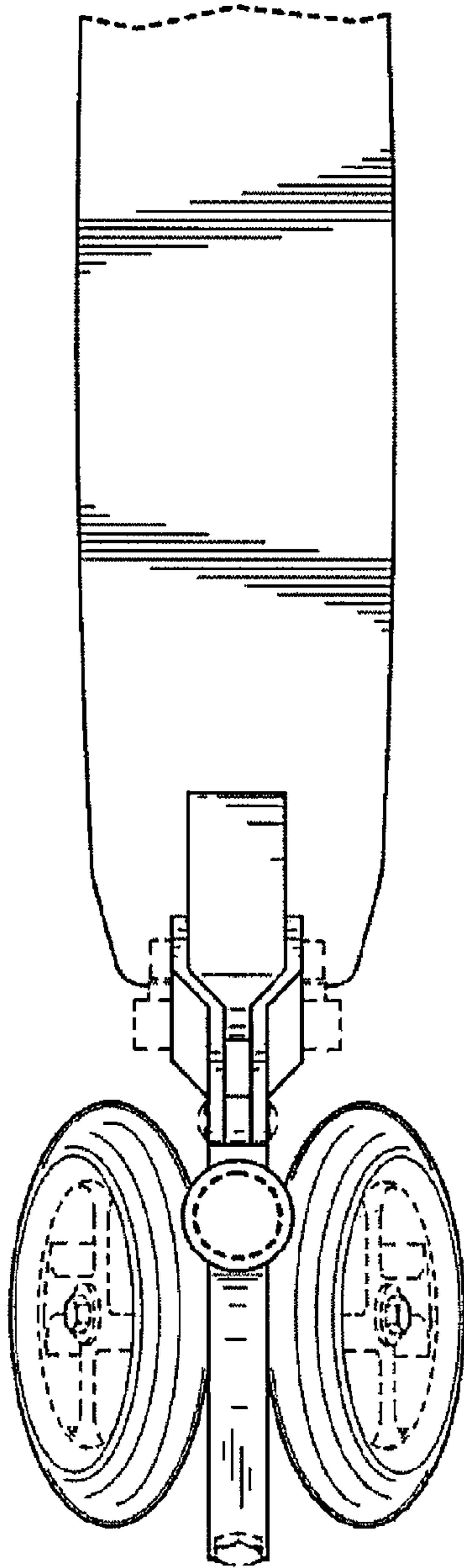


FIG. 7

