



US00D691209S

(12) **United States Design Patent**
Tate

(10) **Patent No.:** **US D691,209 S**

(45) **Date of Patent:** **** Oct. 8, 2013**

(54) **ARROW-SHAPED ADVERTISING DEVICE**

(71) Applicant: **Jeff Tate**, Hardingsburg, KY (US)

(72) Inventor: **Jeff Tate**, Hardingsburg, KY (US)

(**) Term: **14 Years**

(21) Appl. No.: **29/433,507**

(22) Filed: **Oct. 1, 2012**

(51) **LOC (9) Cl.** **20-03**

(52) **U.S. Cl.**
USPC **D20/29; D11/157**

(58) **Field of Classification Search**
USPC D20/10, 19, 29-38, 99; 40/427,
40/538, 541, 584; D10/109.1, 109.2, 113.4;
D11/133, 157, 184; D12/197, 199; D19/36,
D19/42; D21/707; D22/155; 362/812;
473/578

See application file for complete search history.

(56) **References Cited**

U.S. PATENT DOCUMENTS

D55,947 S *	8/1920	Horn	D20/35
D83,473 S *	2/1931	Stanford	D10/109.1
D135,705 S *	5/1943	Cottell	D20/29
D160,030 S *	9/1950	Strauss	D19/36
D201,271 S *	6/1965	Escalante	D20/29
D280,110 S *	8/1985	Brooks	D19/42
D310,546 S *	9/1990	Peltz	D20/10
D344,699 S *	3/1994	Stortz	D12/197
D435,612 S *	12/2000	Petranoff	D21/707

D451,048 S	11/2001	Adams	
D586,861 S	2/2009	Noble	
D610,035 S	2/2010	Washburn	
D658,542 S	5/2012	Eccles	
2007/0173359 A1 *	7/2007	Mowery et al. 473/578
2007/0259743 A1 *	11/2007	Sims et al. 473/578

* cited by examiner

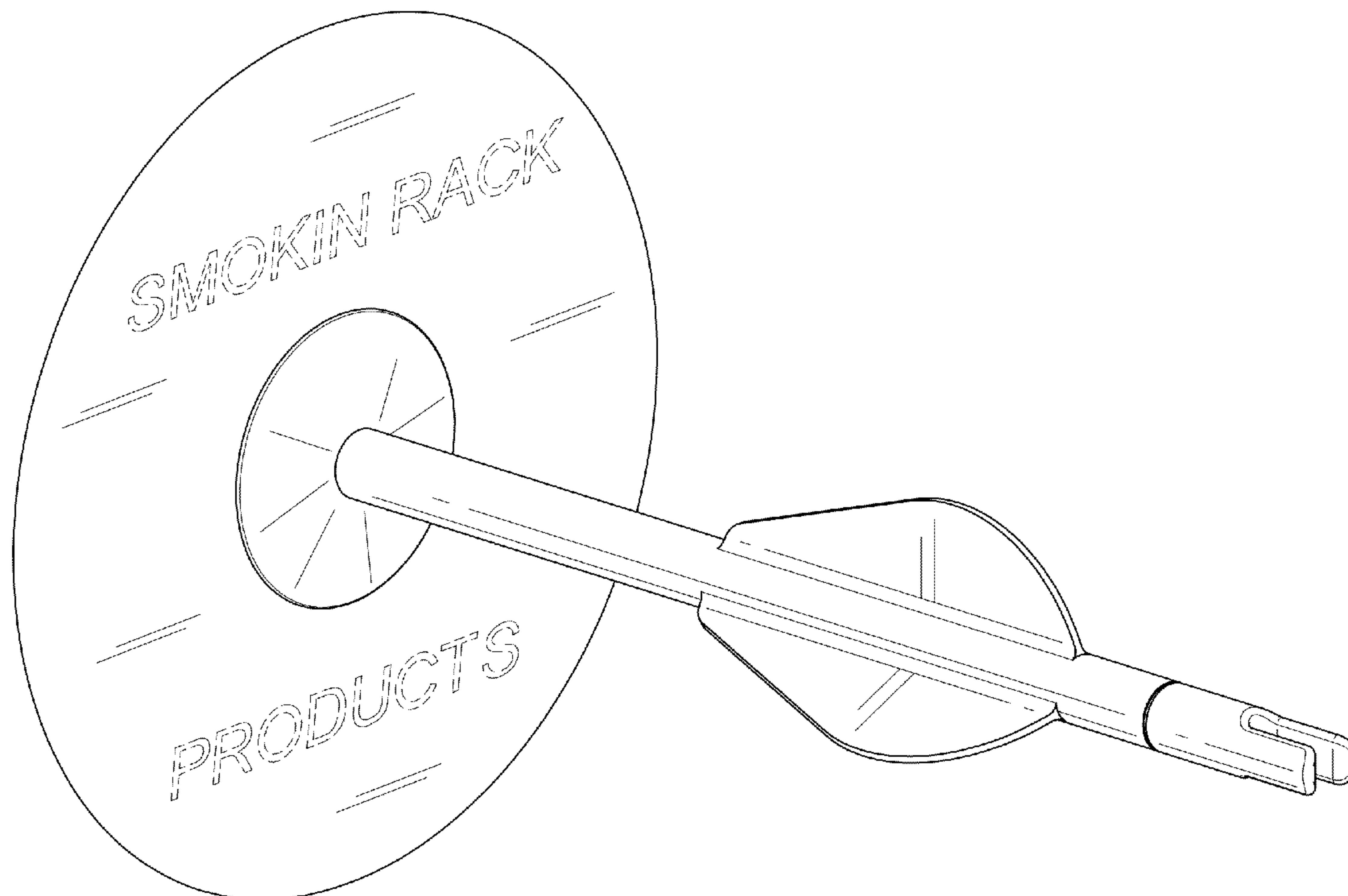
Primary Examiner — Mary Ann Calabrese
(74) *Attorney, Agent, or Firm* — Valenti Hanley & Robinson, PLLC; Kevin T. Duncan

(57) **CLAIM**
The ornamental design for an arrow-shaped advertising device, as shown.

DESCRIPTION

FIG. 1 is a perspective view of an arrow-shaped advertising device showing my new design;
FIG. 2 is a reverse perspective view thereof;
FIG. 3 is a side elevational view thereof;
FIG. 4 is a side elevational view thereof, rotated 90 degrees to the right;
FIG. 5 is a side elevational view thereof, rotated 180 degrees from FIG. 4;
FIG. 6 is a top plan view thereof;
FIG. 7 is a bottom plan view thereof; and
FIG. 8 is a perspective view thereof, showing the flat bottom portion in a flattened configuration; and,
FIG. 9 is a perspective showing the unclaimed text in an alternate configuration.
The broken lines showing of the text illustrated environment and forms no part of the claimed design.

1 Claim, 8 Drawing Sheets



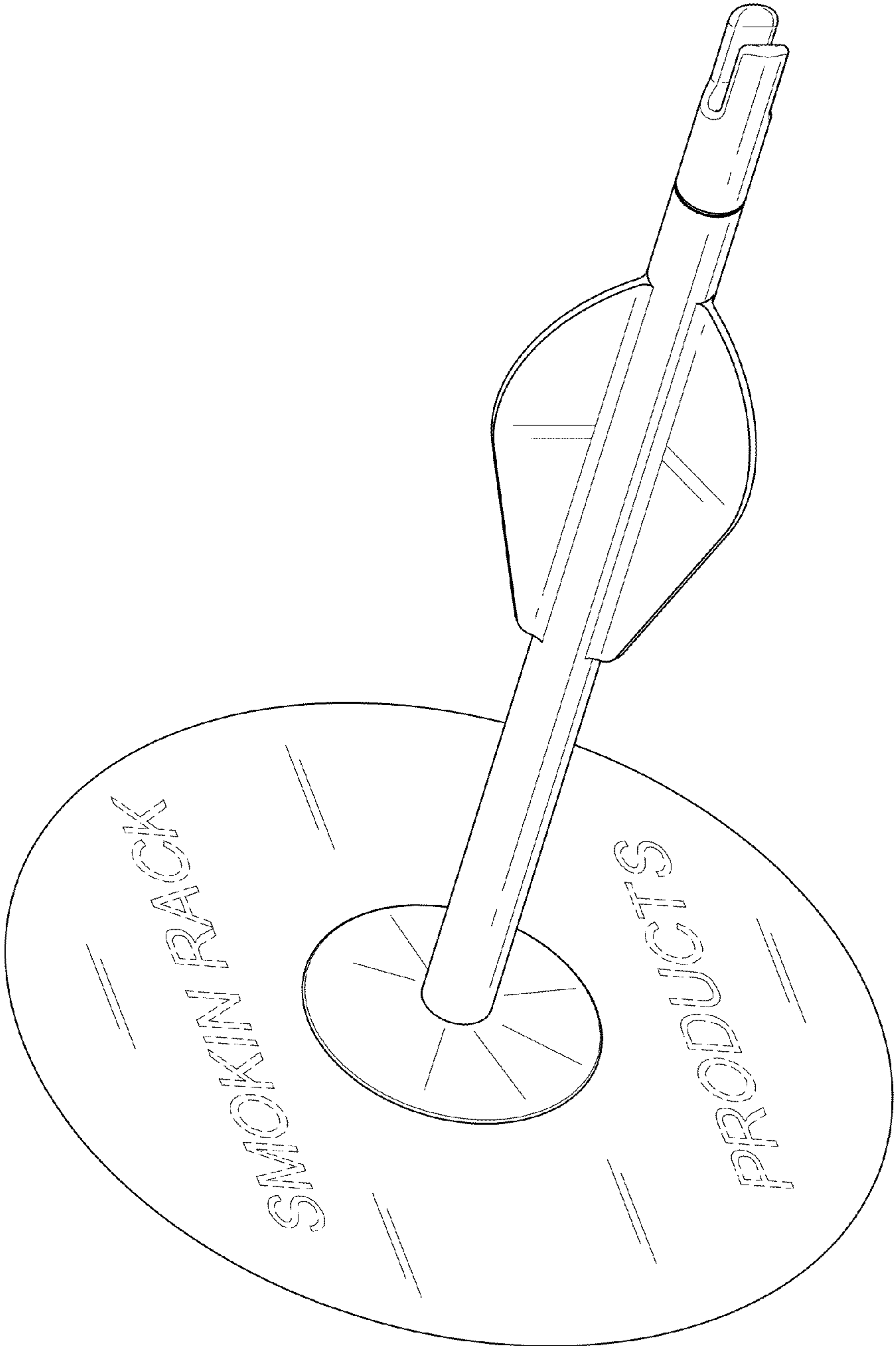


FIG. 1

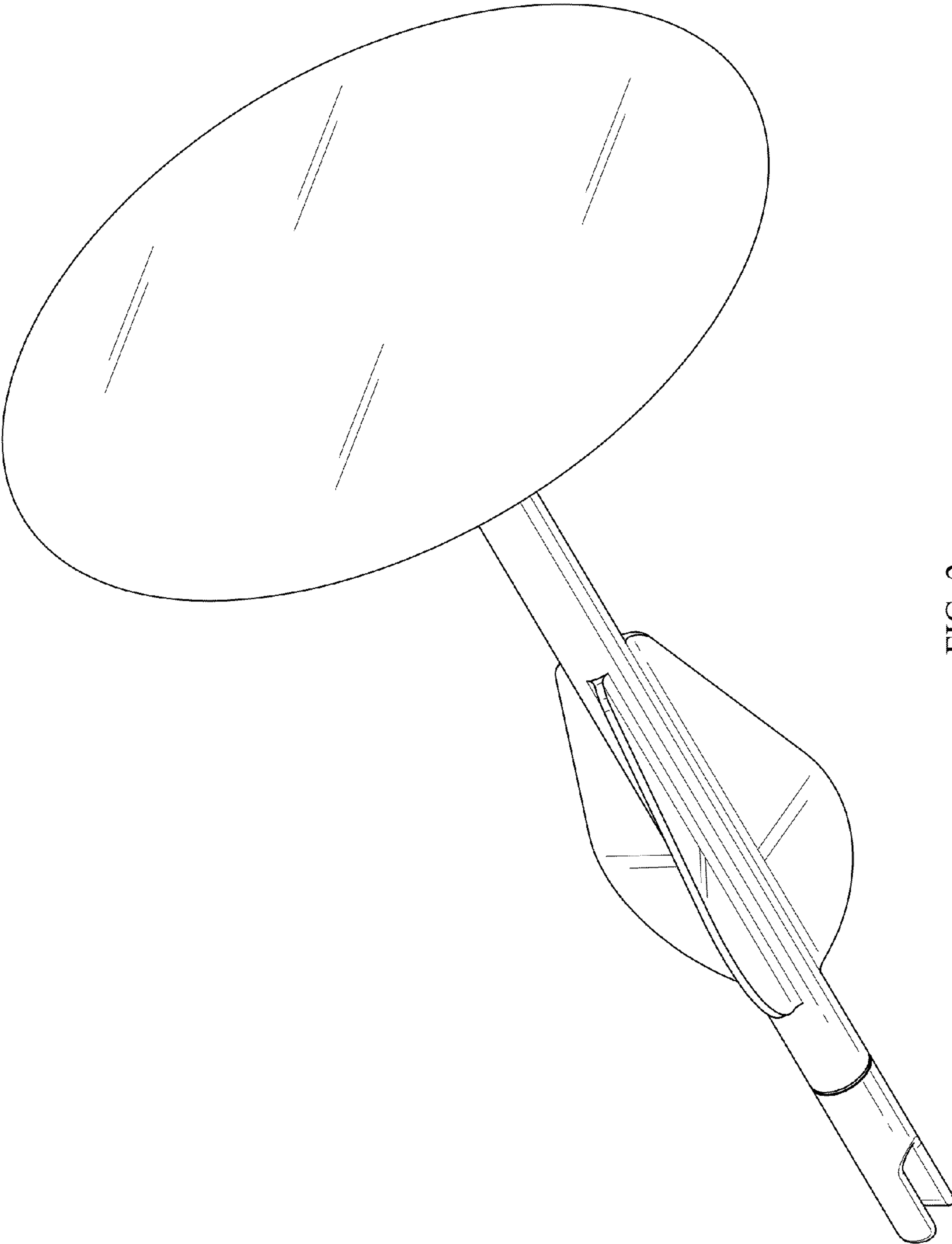


FIG. 2

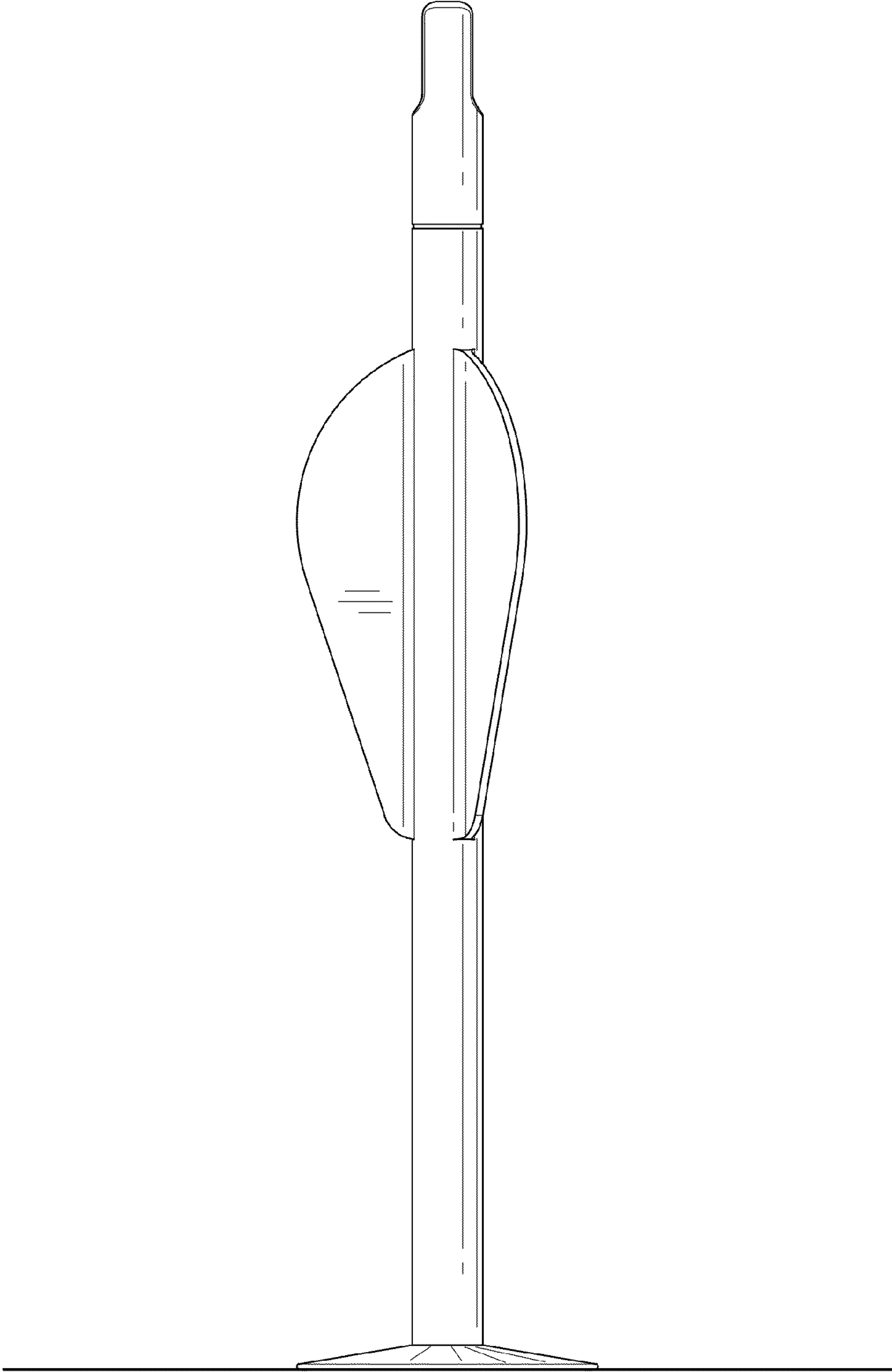


FIG. 3

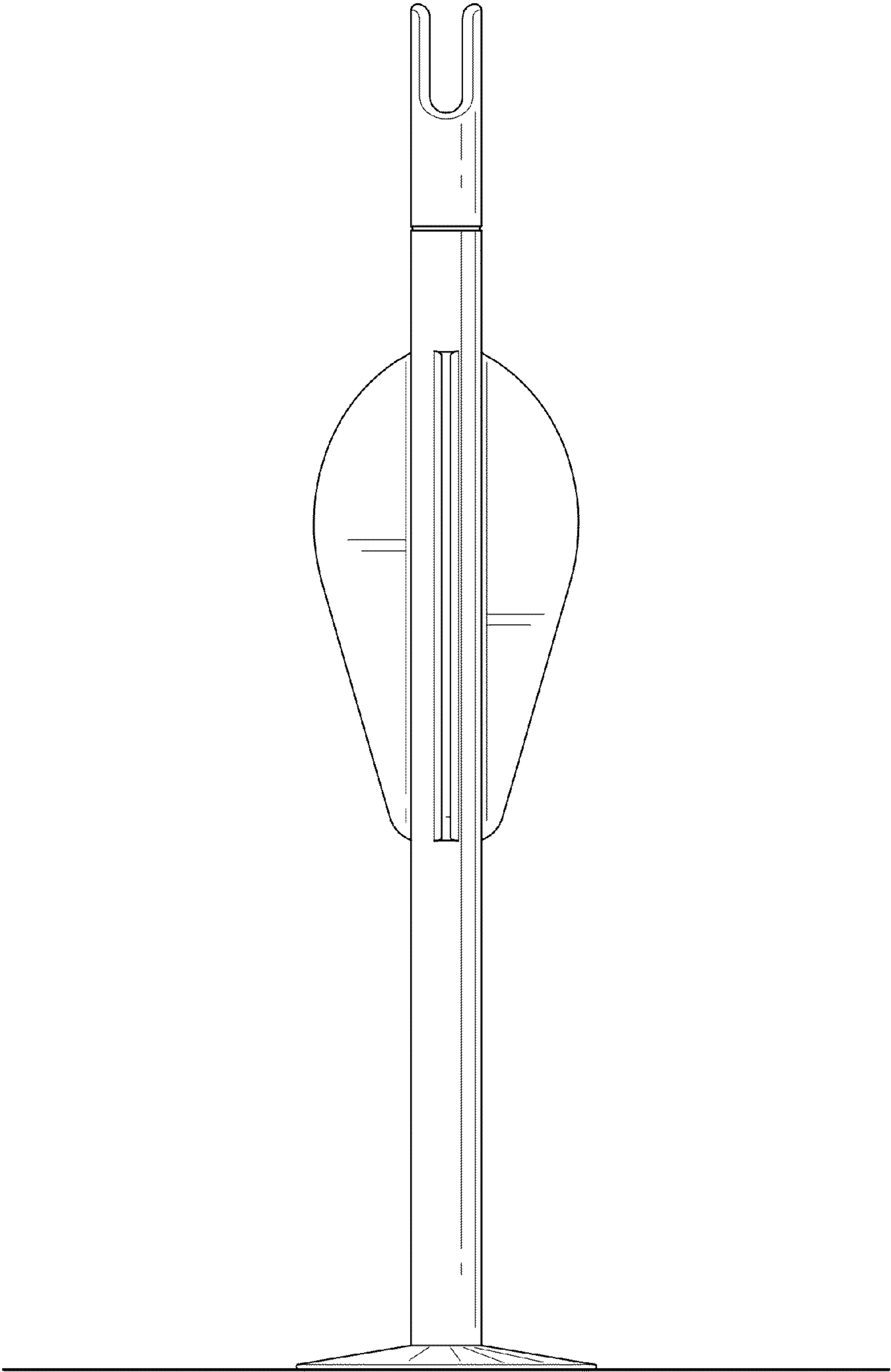


FIG. 4

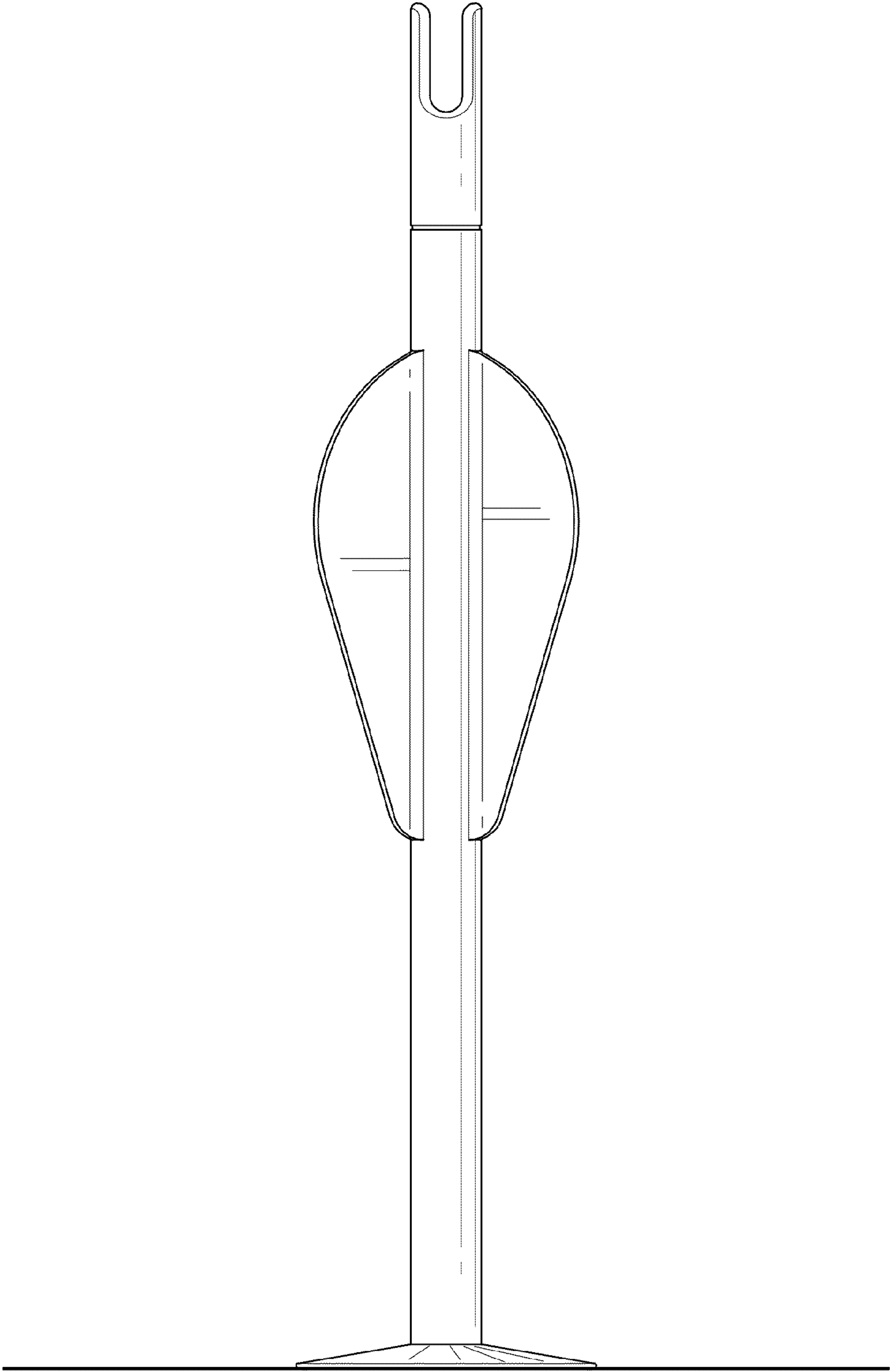


FIG. 5

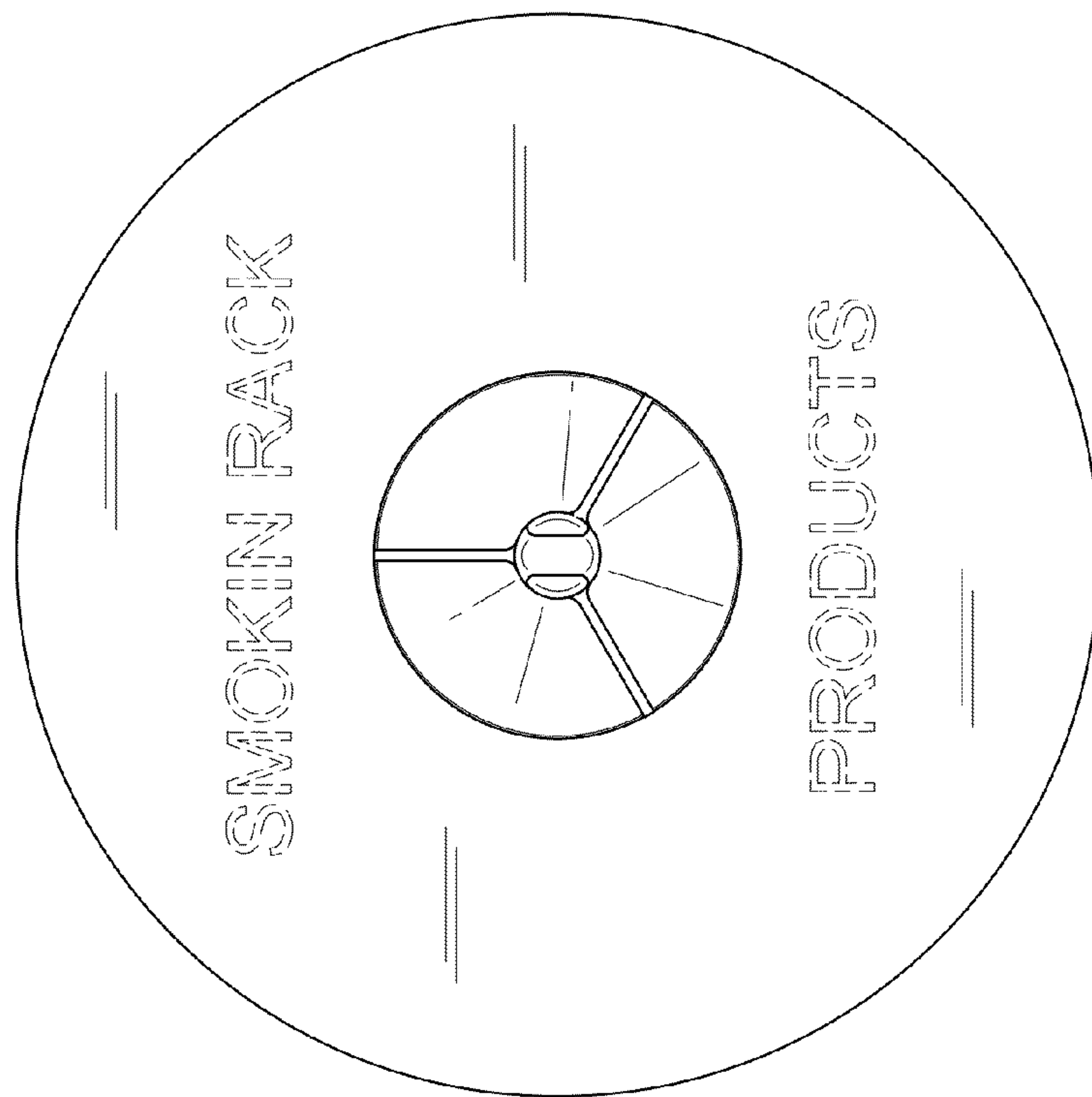


FIG. 7

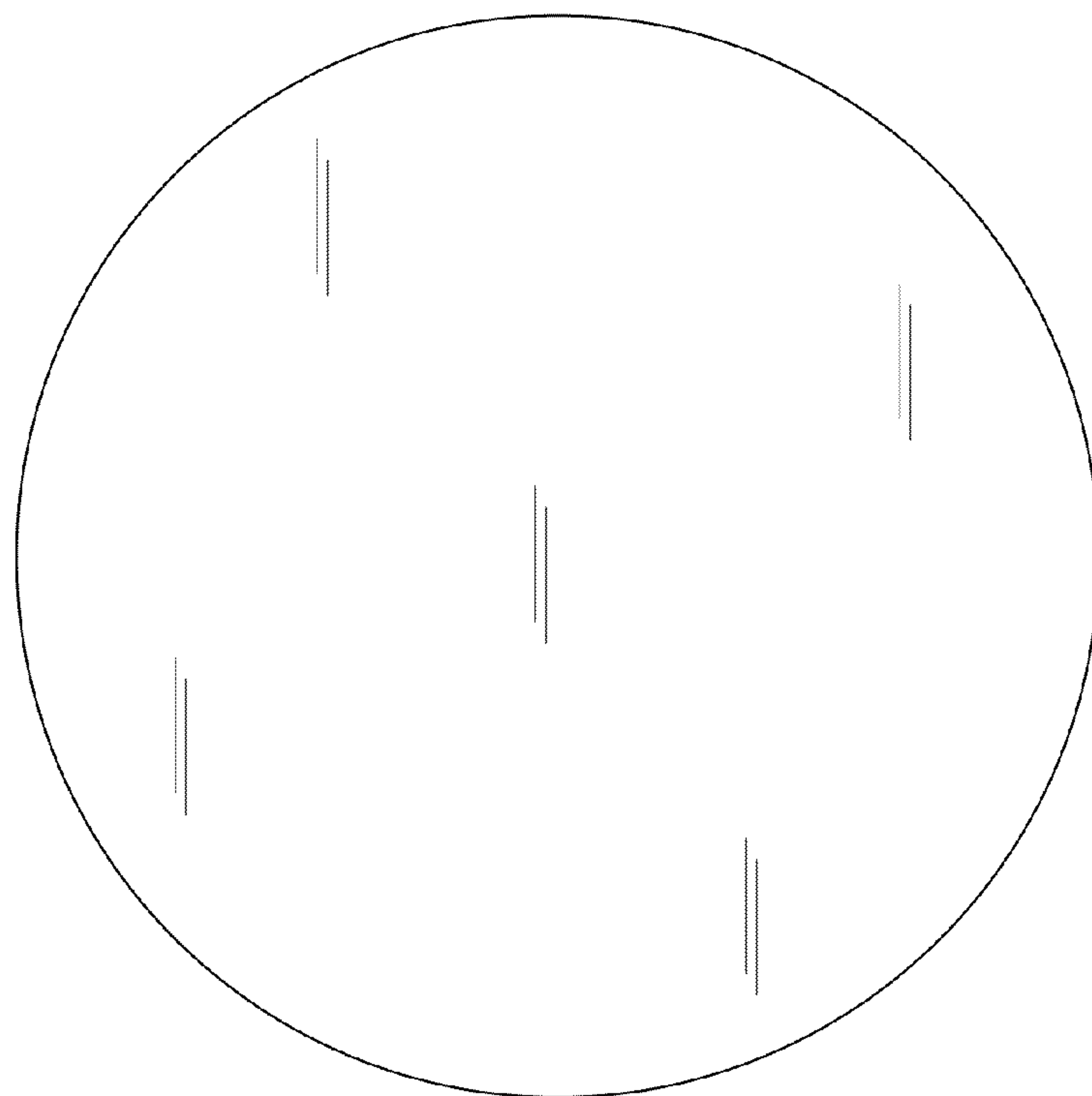


FIG. 6

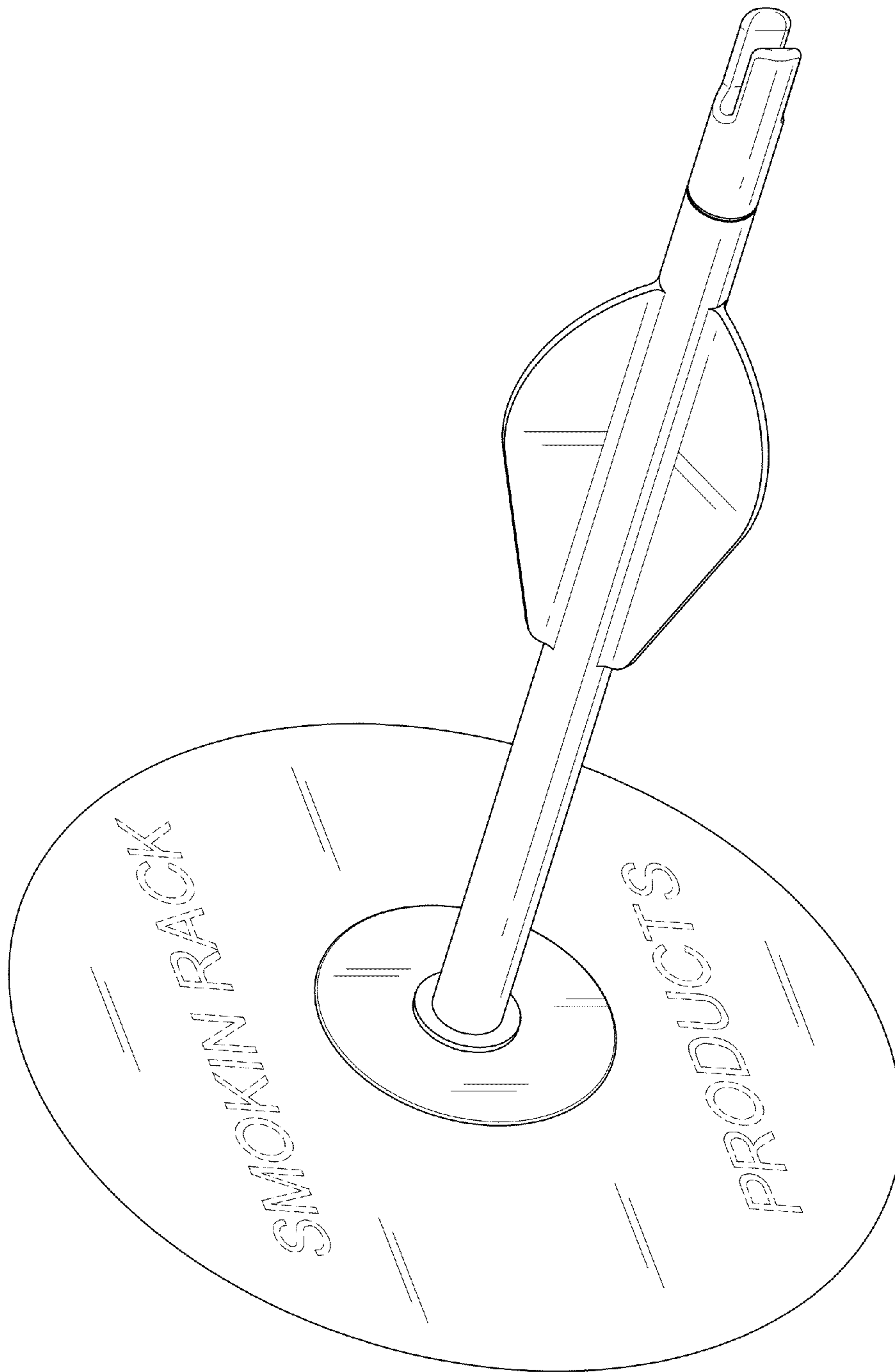


FIG. 8

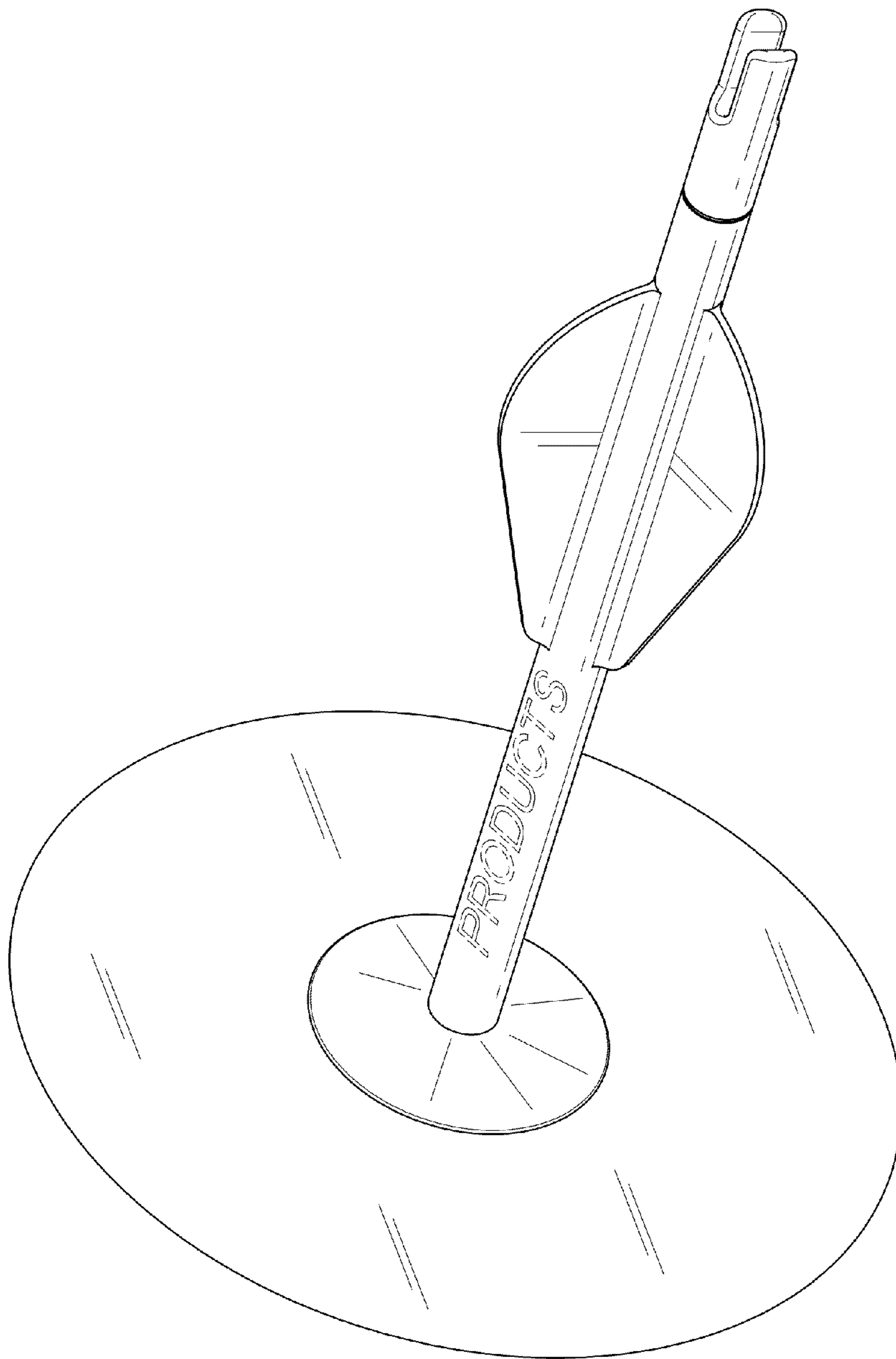


FIG. 9