



US00D691208S

(12) **United States Design Patent**
Gorelick

(10) **Patent No.:** **US D691,208 S**
(45) **Date of Patent:** **** Oct. 8, 2013**

- (54) **ELECTRONIC SIGN**
- (71) Applicant: **Grade A Sign, LLC**, Los Angeles, CA (US)
- (72) Inventor: **Scott Gorelick**, Sherman Oaks, CA (US)
- (73) Assignee: **Grade A Sign, LLC**, Los Angeles, CA (US)
- (**) Term: **14 Years**

4,979,619	A *	12/1990	Hager	206/509
5,018,291	A *	5/1991	Pasquale et al.	40/584
5,038,926	A *	8/1991	van der Toorn	206/39.3
5,249,383	A *	10/1993	McCusker et al.	40/654.01
D346,829	S *	5/1994	Keefe	D20/40
5,353,536	A *	10/1994	Erber et al.	40/606.1
D458,038	S *	6/2002	Ueno	D6/302
6,827,209	B1 *	12/2004	Tank et al.	206/232
2004/0231216	A1 *	11/2004	Lundberg	40/661
2005/0005494	A1 *	1/2005	Way	40/714
2007/0187266	A1 *	8/2007	Porter et al.	206/232
2012/0304513	A1 *	12/2012	Gorelick	40/581

* cited by examiner

- (21) Appl. No.: **29/433,613**
- (22) Filed: **Oct. 2, 2012**
- (51) **LOC (9) Cl.** **20-03**
- (52) **U.S. Cl.**
USPC **D20/10**
- (58) **Field of Classification Search**
USPC D20/10, 12, 17-19, 39-43, 99; 40/368, 40/446-448, 453, 489, 538, 541, 542, 559, 40/564, 568, 572, 584, 600, 605, 606.03, 40/606.18, 617, 654.01, 714, 176, 734, 735, 40/737, 765; D6/300-302, 308; D10/109.1, D10/109.2, 113.4; 206/39.3, 232, 509; 362/812
See application file for complete search history.

Primary Examiner — Mary Ann Calabrese
(74) *Attorney, Agent, or Firm* — Jones Day

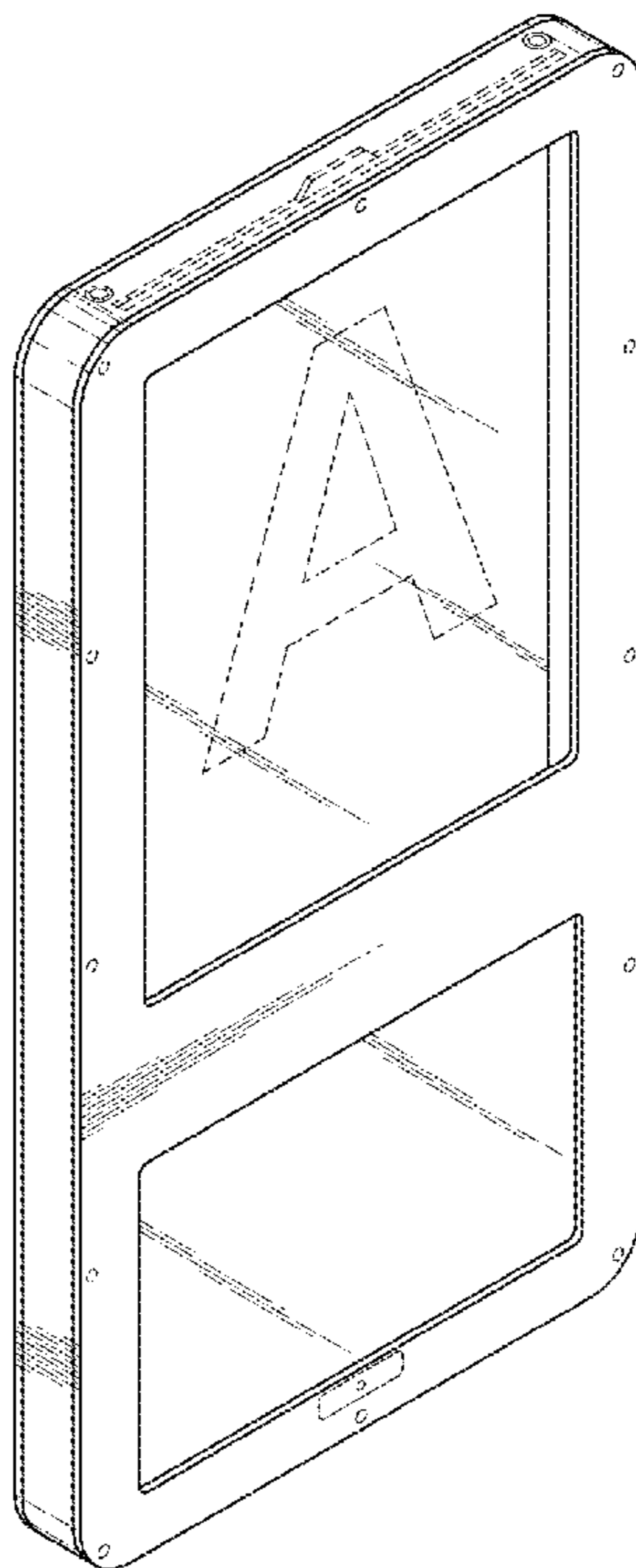
(57) **CLAIM**
The ornamental design for an electronic sign, as shown and described.

DESCRIPTION

FIG. 1 is a perspective view of the electronic sign;
FIG. 2 is a perspective view of the opposite side of the electronic sign;
FIG. 3 is a front view of the electronic sign;
FIG. 4 is a rear view of the electronic sign;
FIG. 5 is a side elevation view of the electronics sign;
FIG. 6 is a top side view of the electronics sign; and,
FIG. 7 is a bottom side view of the electronic sign.
The broken lines in the drawings depict environmental subject matter only and form no part of the claimed design.

- (56) **References Cited**
U.S. PATENT DOCUMENTS
D270,061 S * 8/1983 Ackeret D6/308
4,691,456 A * 9/1987 Ackeret 40/721

1 Claim, 3 Drawing Sheets



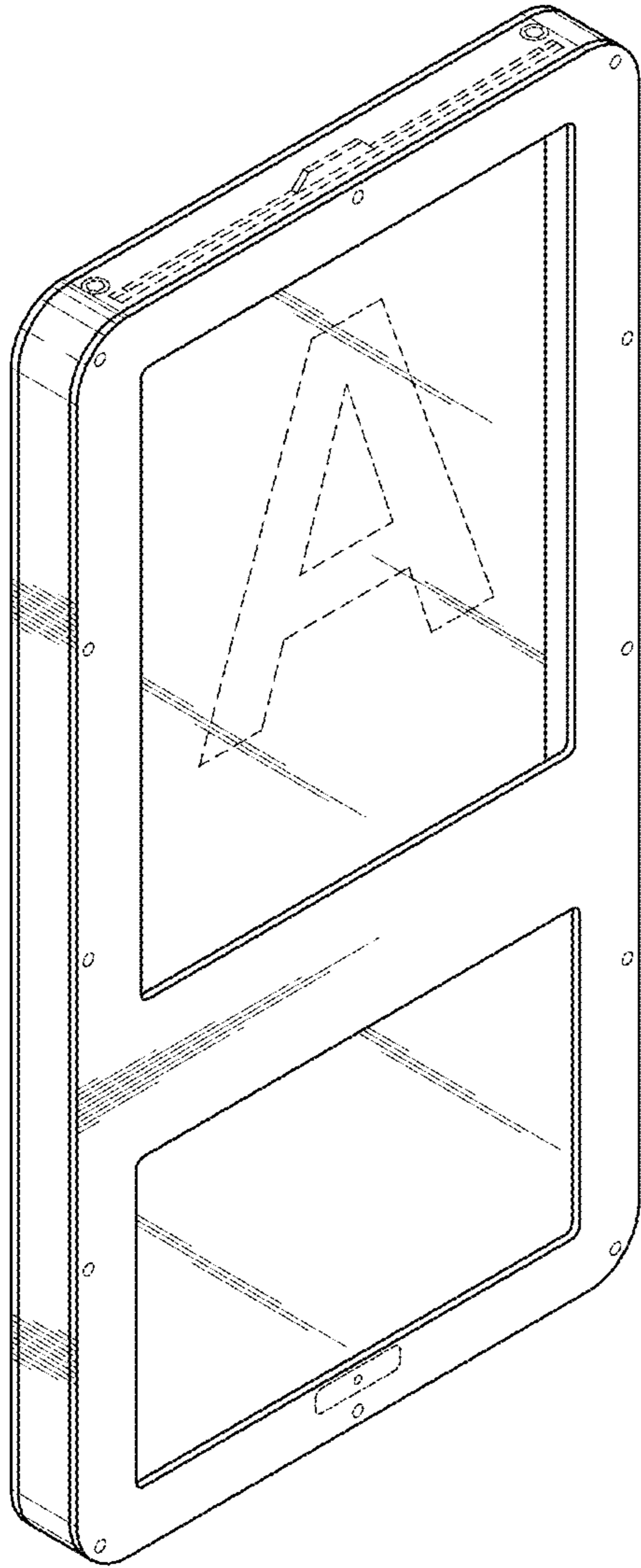


FIG. 1

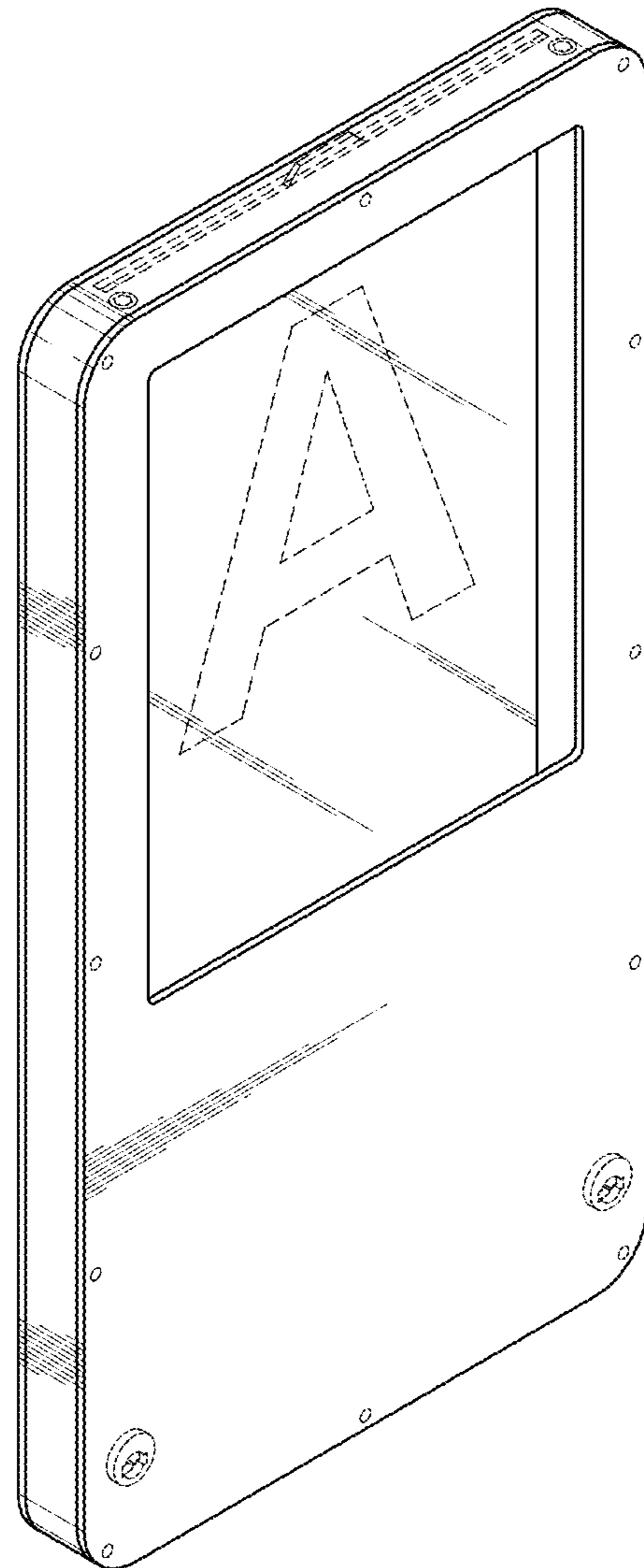


FIG. 2

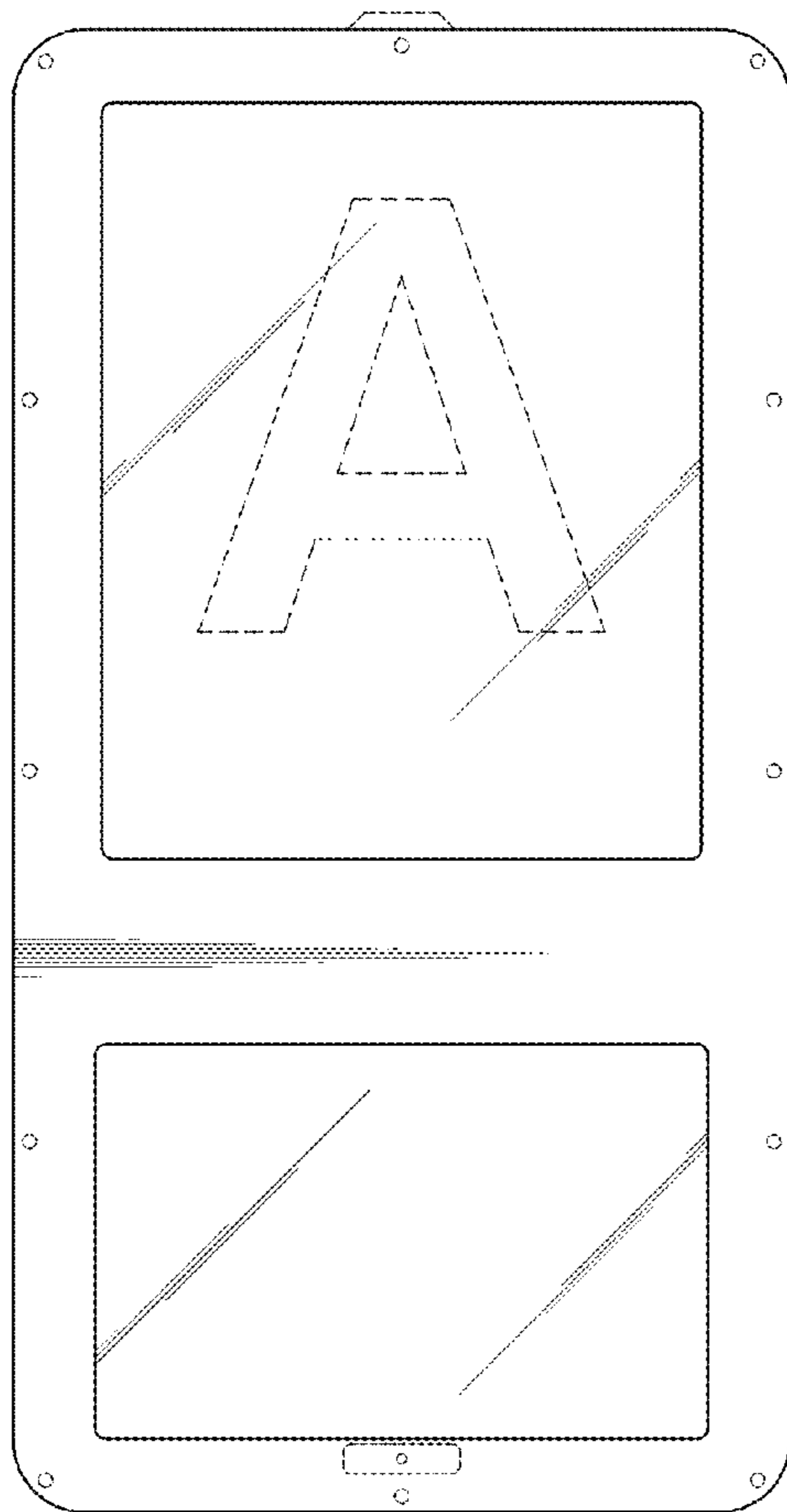


FIG. 3

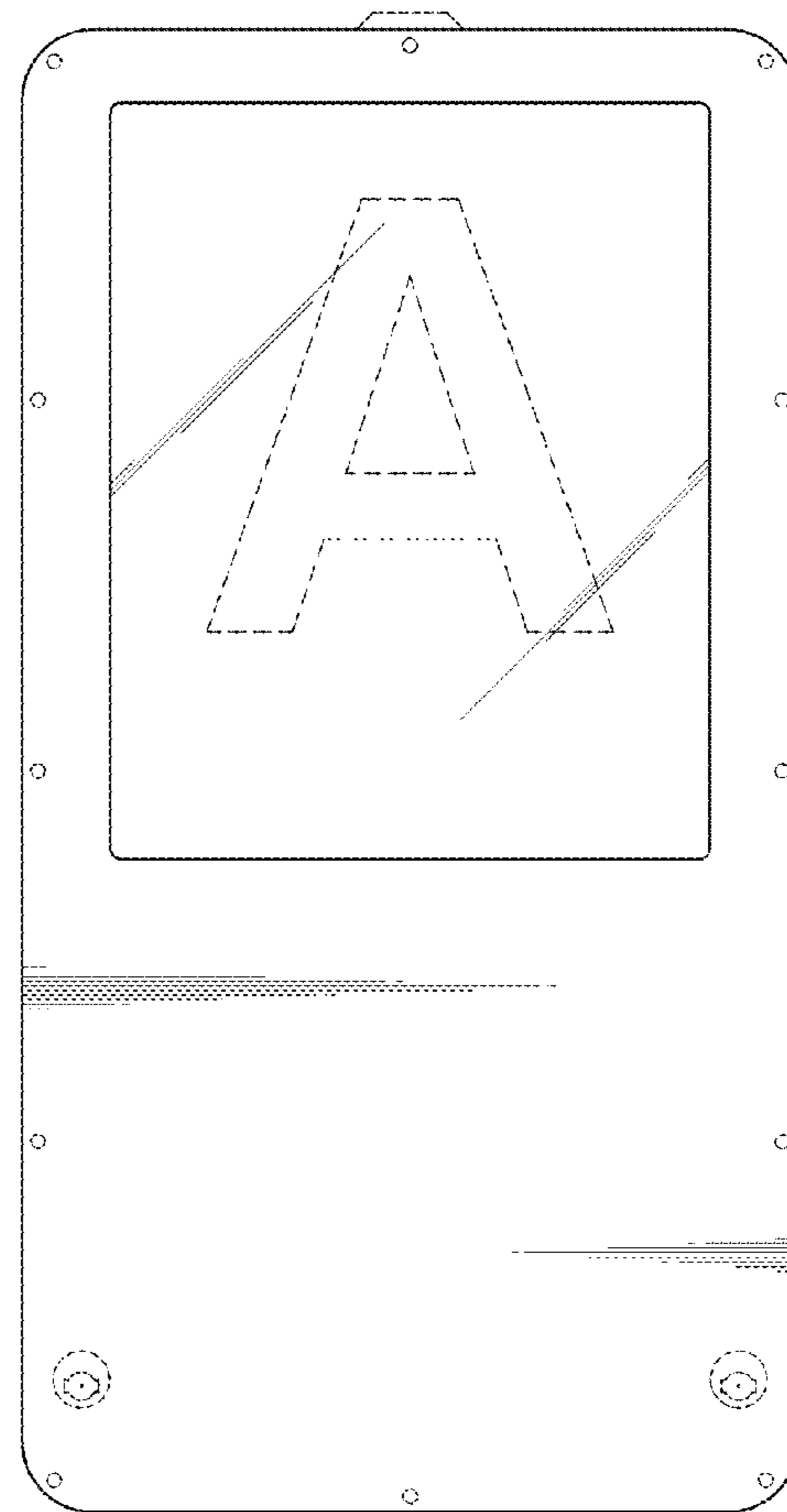


FIG. 4

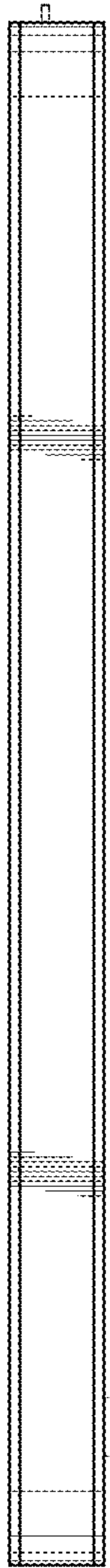


FIG. 5

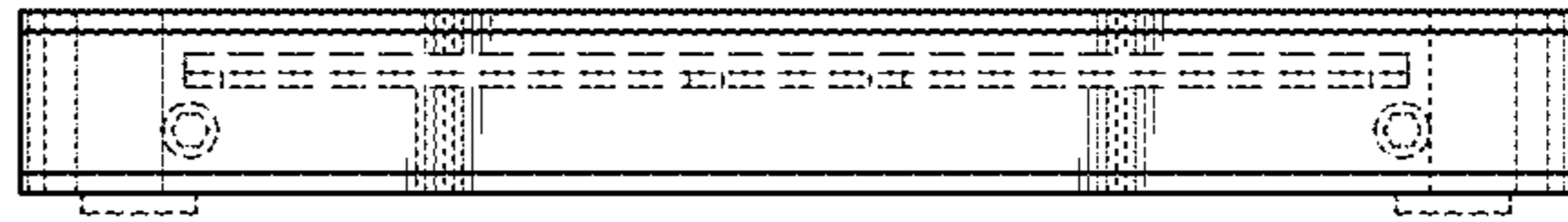


FIG. 6

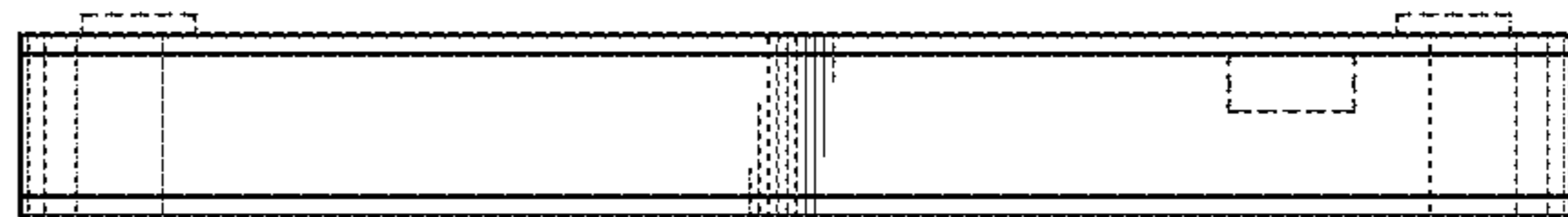


FIG. 7

UNITED STATES PATENT AND TRADEMARK OFFICE
CERTIFICATE OF CORRECTION

PATENT NO. : D691,208 S
APPLICATION NO. : 29/433613
DATED : October 8, 2013
INVENTOR(S) : Scott Gorelick et al.

Page 1 of 1

It is certified that error appears in the above-identified patent and that said Letters Patent is hereby corrected as shown below:

On the Title Page

Item (72), change “Inventor: Scott Gorelick, Sherman Oaks, CA (US)” to read -- Inventors: Scott Gorelick, Sherman Oaks, CA (US); Sloan Eric Schaffer, West Hollywood, CA (US) --.

Signed and Sealed this
Twelfth Day of August, 2014



Michelle K. Lee
Deputy Director of the United States Patent and Trademark Office