

US00D691204S

(12) **United States Design Patent**  
**d'Amore et al.**

(10) **Patent No.:** **US D691,204 S**  
(45) **Date of Patent:** **\*\* Oct. 8, 2013**

(54) **DISPENSER**

(75) Inventors: **Massimo F. d'Amore**, Larchmont, NY (US); **Mikel Durham**, Purchase, NY (US); **Christine J. Sisler**, Shrub Oak, NY (US); **Marcus Hammonds**, New Rochelle, NY (US); **Stephen Lim**, Chappaqua, NY (US); **Timothy Read**, Chicago, IL (US); **Christopher Streng**, Chicago, IL (US); **Daniel A. Streng**, Chicago, IL (US); **Brett Wieland**, Chicago, IL (US)

(73) Assignee: **PepsiCo, Inc.**, Purchase, NY (US)

(\*\*) Term: **14 Years**

(21) Appl. No.: **29/398,527**

(22) Filed: **Aug. 1, 2011**

(51) **LOC (9) Cl.** ..... **20-01**

(52) **U.S. Cl.**  
USPC ..... **D20/1; D7/306**

(58) **Field of Classification Search**  
USPC ..... D20/1-9; 221/6, 12, 123, 124, 149, 221/150 R, 155, 156, 159, 190, 251, 311; D6/515; D7/300, 305-312; D14/126, 366, D14/447; D15/81; D99/28; 197/239; 222/129, 135, 144.5, 185.1

See application file for complete search history.

(56) **References Cited**

U.S. PATENT DOCUMENTS

D137,284 S *	2/1944	Kilcup	.....	D20/1
D151,386 S	10/1948	Nissen		
D151,952 S	12/1948	Babcock		
D185,006 S *	4/1959	Langevin	.....	D7/311
D202,688 S	11/1965	Cornelius et al.		
D235,816 S	7/1975	Hall		
D256,124 S	7/1980	Adamson et al.		
D259,790 S	7/1981	Hentschel		

D310,612 S	9/1990	Desrosiers		
D323,875 S	2/1992	Kang et al.		
D356,342 S	3/1995	Reese et al.		
D358,290 S *	5/1995	Schroeder	.....	D7/311
D359,649 S	6/1995	Salkeld et al.		
D360,801 S	8/1995	Shub		
D367,797 S	3/1996	Hauser, II et al.		
D385,457 S	10/1997	Sellers		
D387,809 S	12/1997	Reese et al.		
D398,183 S	9/1998	De Felip		
D404,242 S	1/1999	Schroeder		
D408,207 S	4/1999	Bourke		
D418,001 S	12/1999	van der Veen		
D421,629 S	3/2000	Sakata		
D424,361 S	5/2000	Kuboyama		
D431,145 S	9/2000	Woebcke et al.		
D440,255 S	4/2001	Dickson		
D441,024 S *	4/2001	Villalta	.....	D20/1

(Continued)

OTHER PUBLICATIONS

Www.Prweb.Com, Kiosk Pro Now Offers Remote iPad Kiosk Management Software, Dual-Screen iPad Kiosk with Thermal Printer Module, Oct. 24, 2012.

(Continued)

*Primary Examiner* — Mary Ann Calabrese  
(74) *Attorney, Agent, or Firm* — Banner & Witcoff, Ltd.

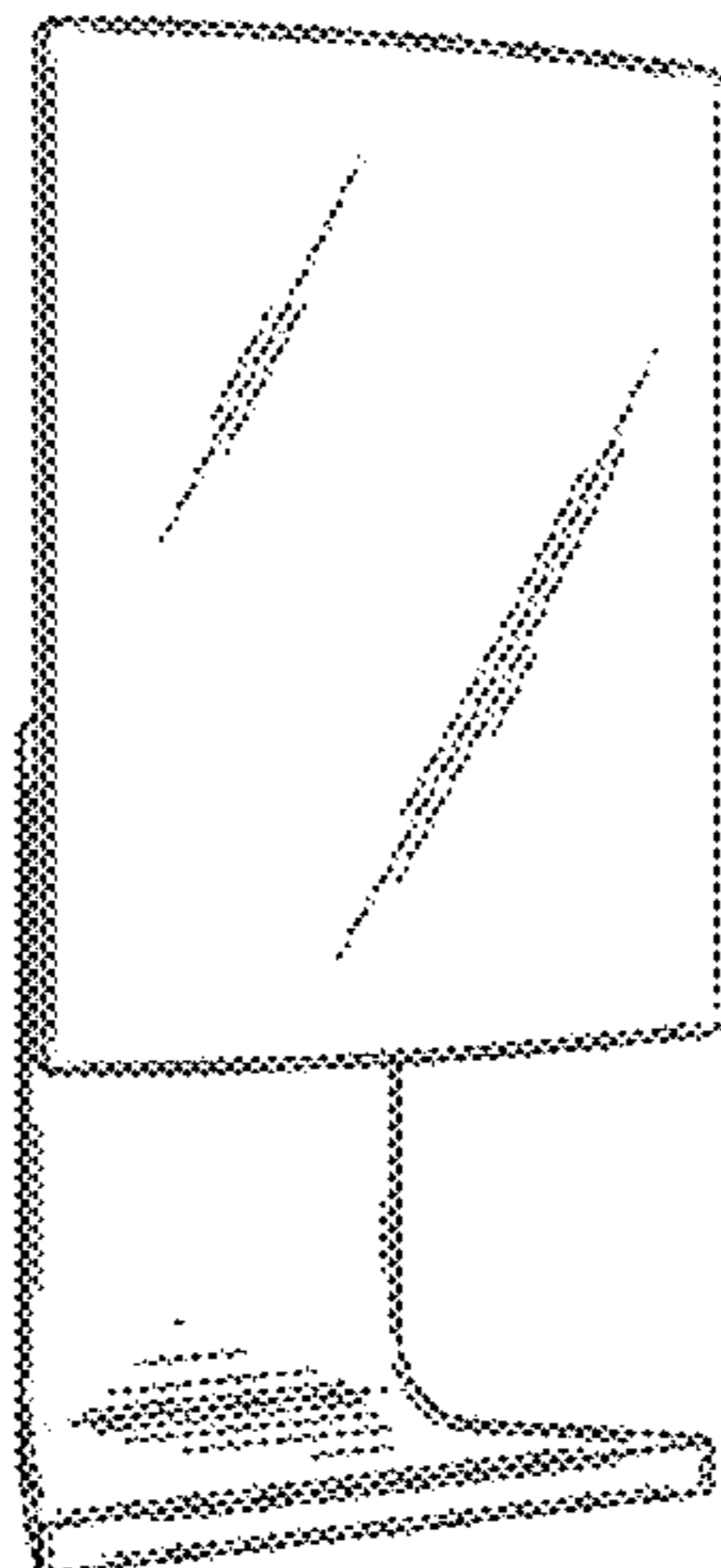
(57) **CLAIM**

The ornamental design for a dispenser, as shown and described.

**DESCRIPTION**

FIG. 1 is a front, left perspective view of a dispenser showing our new design;  
FIG. 2 is a front view thereof;  
FIG. 3 is a left side view thereof, wherein the right side is a mirror image of FIG. 3;  
FIG. 4 is a rear view thereof; and,  
FIG. 5 is a top view thereof.

**1 Claim, 5 Drawing Sheets**



(56)

References Cited

U.S. PATENT DOCUMENTS

D444,986 S 7/2001 Smith et al.  
 D456,663 S 5/2002 Chew  
 D473,745 S 4/2003 Mulle et al.  
 D474,366 S 5/2003 Hodges et al.  
 D477,175 S 7/2003 Smith  
 D482,227 S 11/2003 Walton  
 D486,346 S 2/2004 Jönsson  
 D498,637 S 11/2004 Heilstedt et al.  
 D499,145 S 11/2004 Yao  
 D500,625 S 1/2005 Hellenberg et al.  
 D505,822 S 6/2005 De Gooijer  
 D514,864 S 2/2006 Birdsell et al.  
 D514,867 S 2/2006 Steiner  
 D526,523 S 8/2006 Steiner et al.  
 D527,567 S 9/2006 Nakato et al.  
 D531,855 S 11/2006 Steiner et al.  
 D533,007 S 12/2006 Felty  
 D544,919 S 6/2007 Roekens et al.  
 D544,920 S 6/2007 Roekens et al.  
 D554,930 S 11/2007 Lavy  
 D557,547 S 12/2007 Knoell et al.  
 D564,279 S 3/2008 Hodges  
 D570,149 S 6/2008 Truong  
 D570,636 S 6/2008 Kulujian et al.  
 D572,965 S 7/2008 Steiner  
 D582,194 S 12/2008 Wang  
 D583,608 S 12/2008 Kato  
 D597,605 S 8/2009 Davis  
 D600,060 S 9/2009 Fletcher et al.  
 D600,490 S 9/2009 Pino et al.  
 D600,491 S 9/2009 Hammad et al.  
 D601,380 S 10/2009 Jones et al.  
 D608,129 S 1/2010 Spear et al.  
 D608,130 S 1/2010 Moon et al.

D617,132 S 6/2010 Wang  
 D618,031 S 6/2010 Mansour  
 D623,885 S 9/2010 Wang  
 D624,778 S 10/2010 Meldrum et al.  
 D627,187 S 11/2010 Voron et al.  
 D630,471 S 1/2011 Wang  
 D635,812 S 4/2011 Wang  
 D638,476 S 5/2011 Hoffman et al.  
 D638,513 S 5/2011 Choi  
 D640,891 S 7/2011 Smith  
 D646,105 S \* 10/2011 Deo et al. .... D7/306  
 D646,269 S 10/2011 Crick, Jr. et al.  
 D649,153 S \* 11/2011 Symons ..... D14/447  
 D655,122 S \* 3/2012 Bingul et al. .... D7/306  
 D655,123 S \* 3/2012 Bingul et al. .... D7/306

OTHER PUBLICATIONS

Www.Apple.Com, We've gone to extraordinary lengths. And widths., iMAC, published date unknown, but potentially prior to the filing of the present application.  
 Www.Aliexpress.com, Cellphone display holder model:IES1102H, published date unknown, but potentially prior to the filing of the present application.  
 Www.Lcdtvenclosure.Com, Interactive Digital Signage, published date unknown, but potentially prior to the filing of the present application.  
 Www.Kvsio.com, Multi-Touch LED Digital Signage Kiosk with Advertising Display for Information Access, published date unknown, but potentially prior to the filing of the present application.  
 Www.Juumei.B2bage.com, Shenzhen Juumei Investment Co., Ltd., 42" large screen ad display LCD advertising player vertical kiosk, published date unknown, but potentially prior to the filing of the present application.

\* cited by examiner

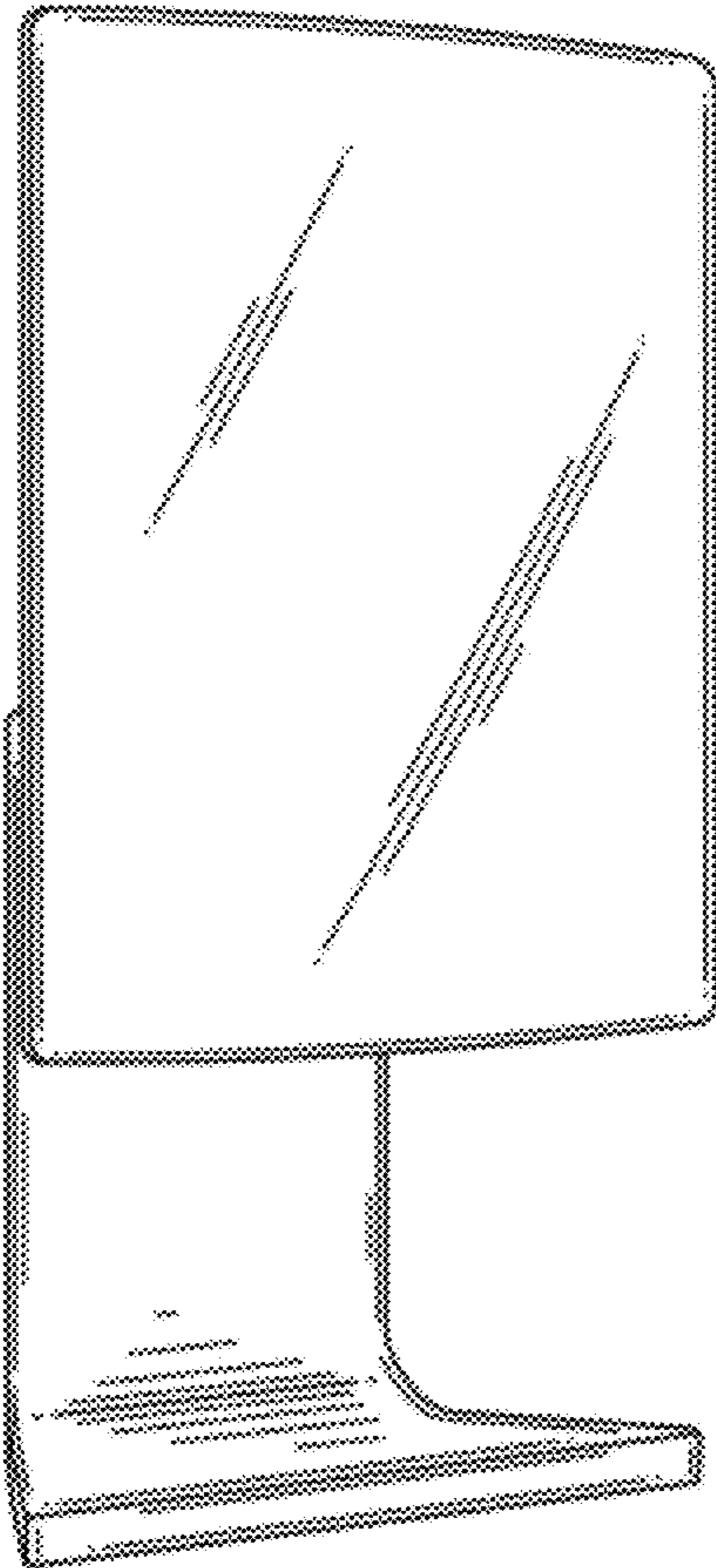


FIG. 1

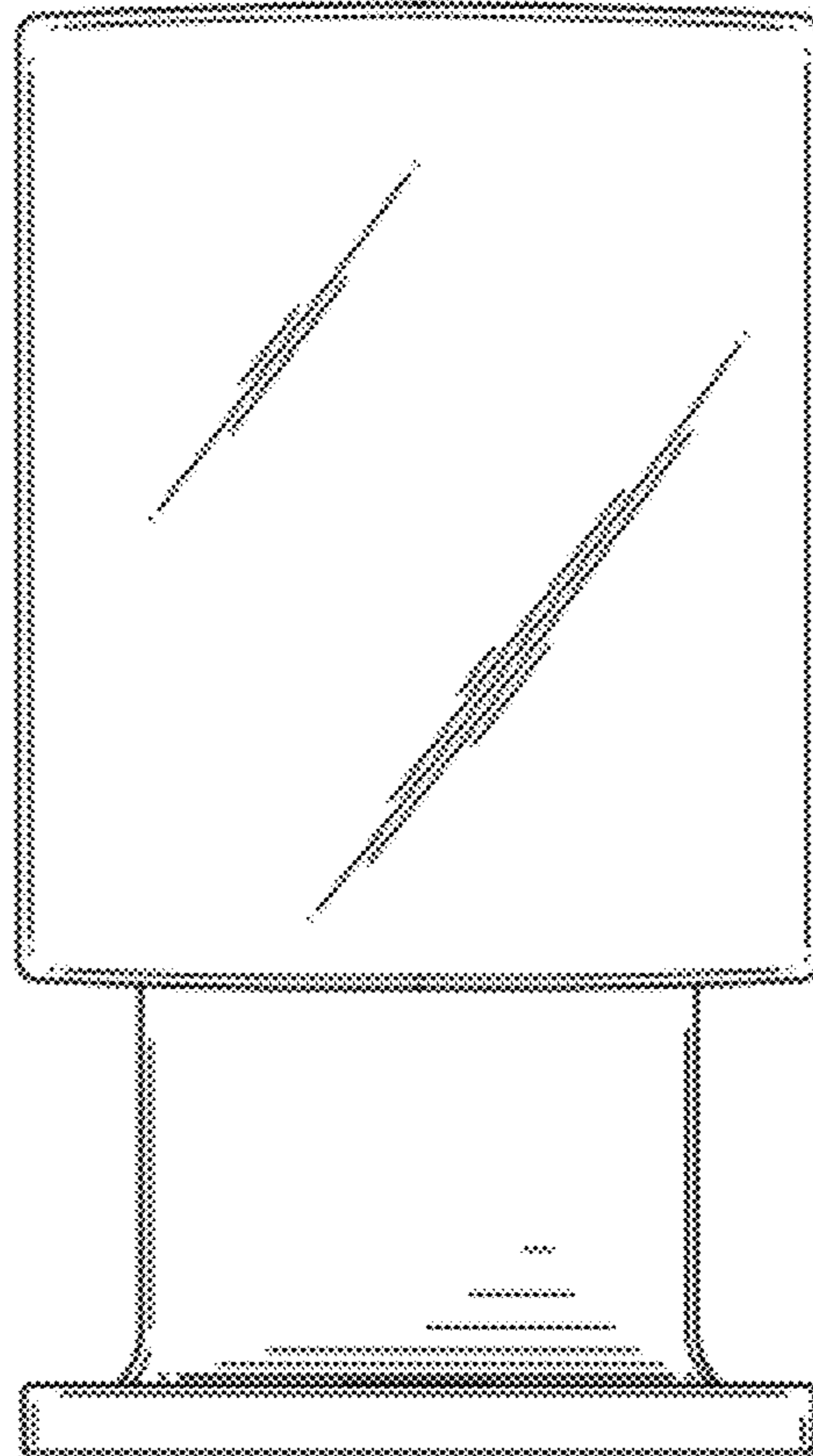


FIG. 2

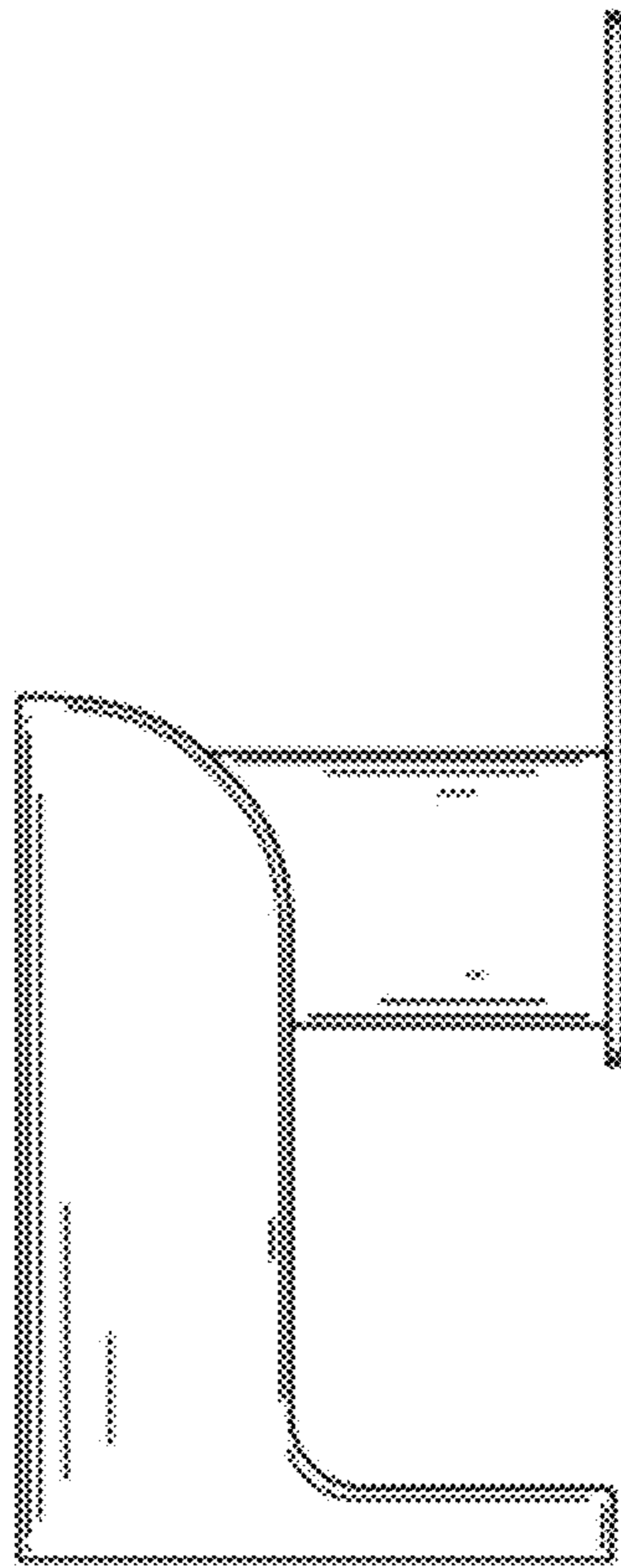


FIG. 3



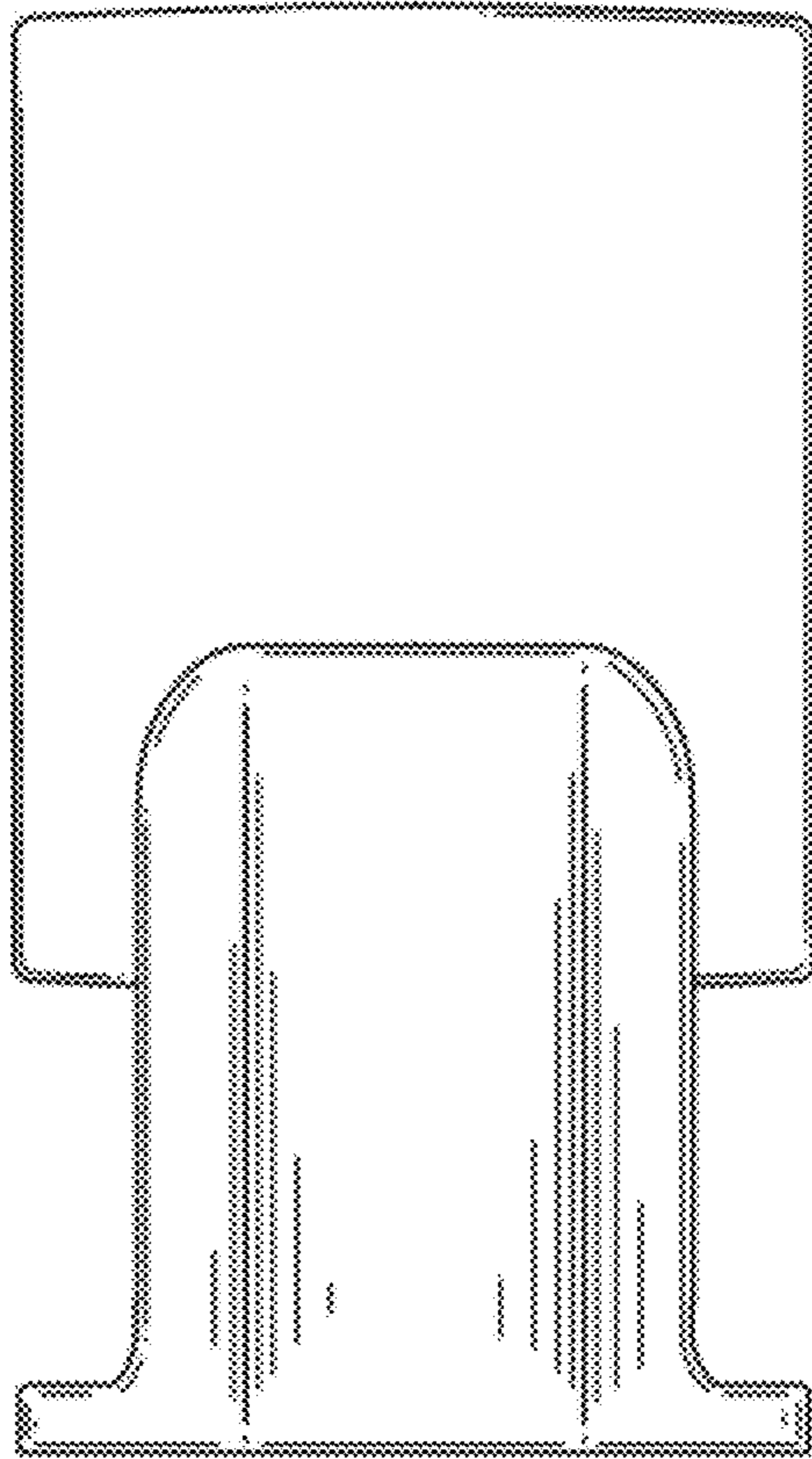


FIG. 4

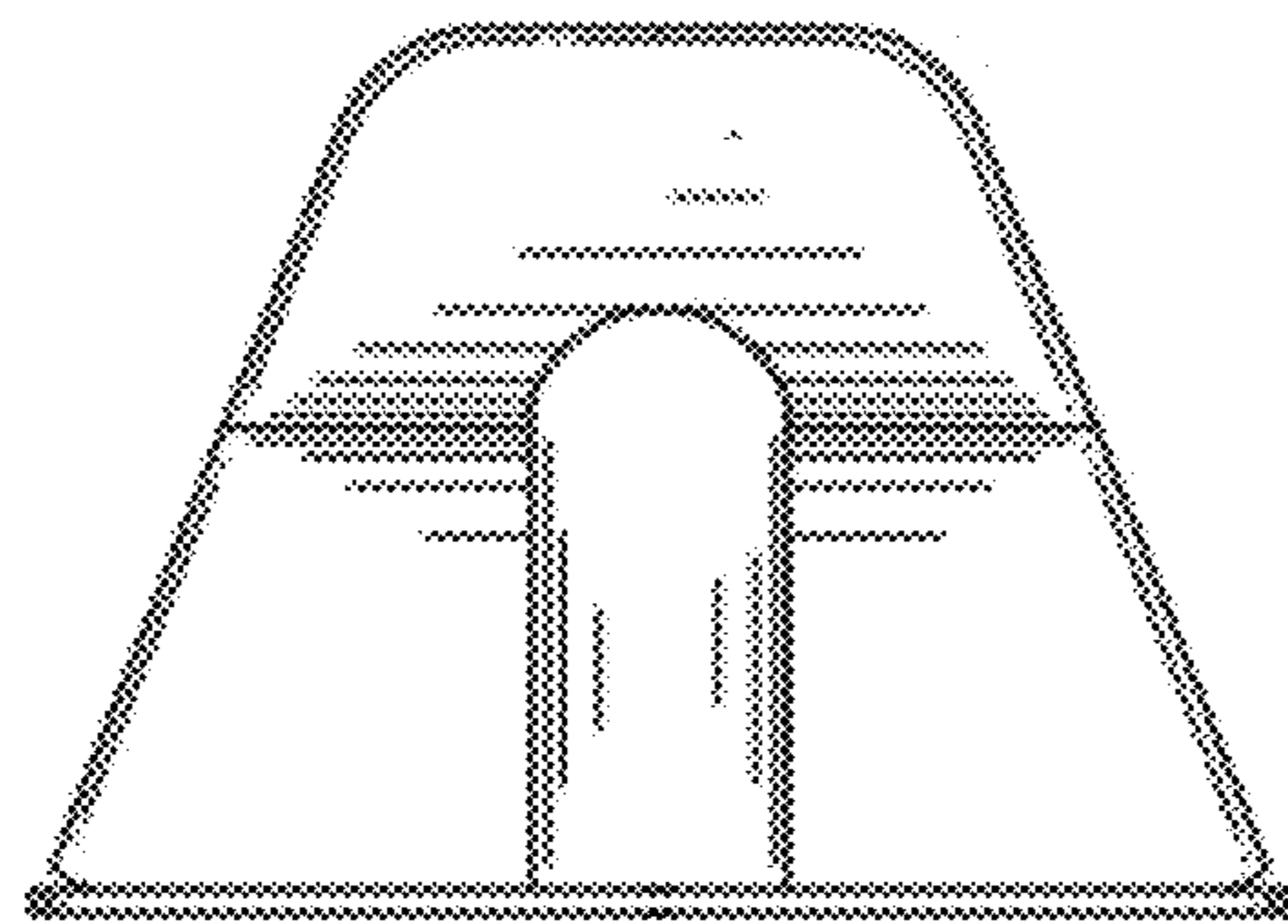


FIG. 5