

US00D691200S

(12) **United States Design Patent**  
**Cetera**

(10) **Patent No.:** **US D691,200 S**  
(45) **Date of Patent:** **\*\* Oct. 8, 2013**

- (54) **BROCHURE HOLDER**
- (71) Applicant: **Carl Cetera**, Westfield, NJ (US)
- (72) Inventor: **Carl Cetera**, Westfield, NJ (US)
- (73) Assignee: **Cotapaxi Custom Design and Manufacturing LLC**, Carlstadt, NJ (US)
- (\*\*) Term: **14 Years**
- (21) Appl. No.: **29/442,117**
- (22) Filed: **Dec. 11, 2012**
- (51) **LOC (9) Cl.** ..... **19-02**
- (52) **U.S. Cl.**  
USPC ..... **D19/90**
- (58) **Field of Classification Search**  
USPC ..... D3/273, 294, 304, 314; D6/310, D6/311, 312, 672, 678.3, 700; D9/432; D19/26-31, 75, 77, 78, 81-86, 90, 91; 206/215, 206/425, 449, 555; 211/10, 11, 46, 48, 87.01; 248/447, 454, 460, 461, 462, 463  
See application file for complete search history.

- D358,049 S \* 5/1995 Wilson ..... D6/475
- D359,985 S \* 7/1995 Mak ..... D21/469
- D366,500 S \* 1/1996 Goldthwaite ..... D19/82
- D368,277 S \* 3/1996 Schuster et al. .... D19/85
- D401,236 S \* 11/1998 Fong ..... D14/168
- 6,813,771 B2 \* 11/2004 Weaver ..... 720/600
- D551,284 S \* 9/2007 Bhavnani et al. .... D18/7
- 2003/0227854 A1 \* 12/2003 Weaver ..... 369/75.1

\* cited by examiner

*Primary Examiner* — Elizabeth Albert  
(74) *Attorney, Agent, or Firm* — Steven E. Shapiro

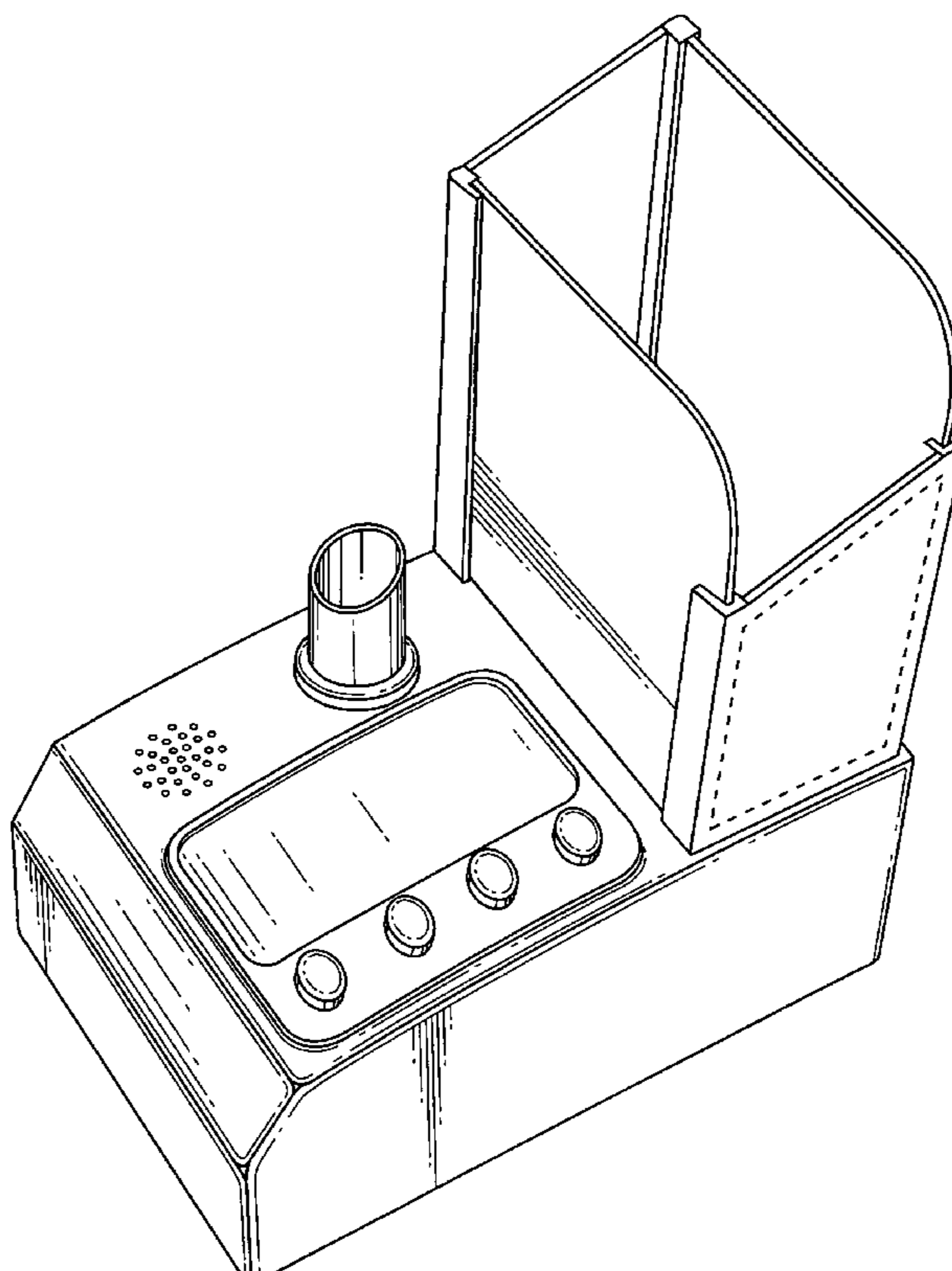
(57) **CLAIM**  
The ornamental design for a brochure holder, as shown and described.

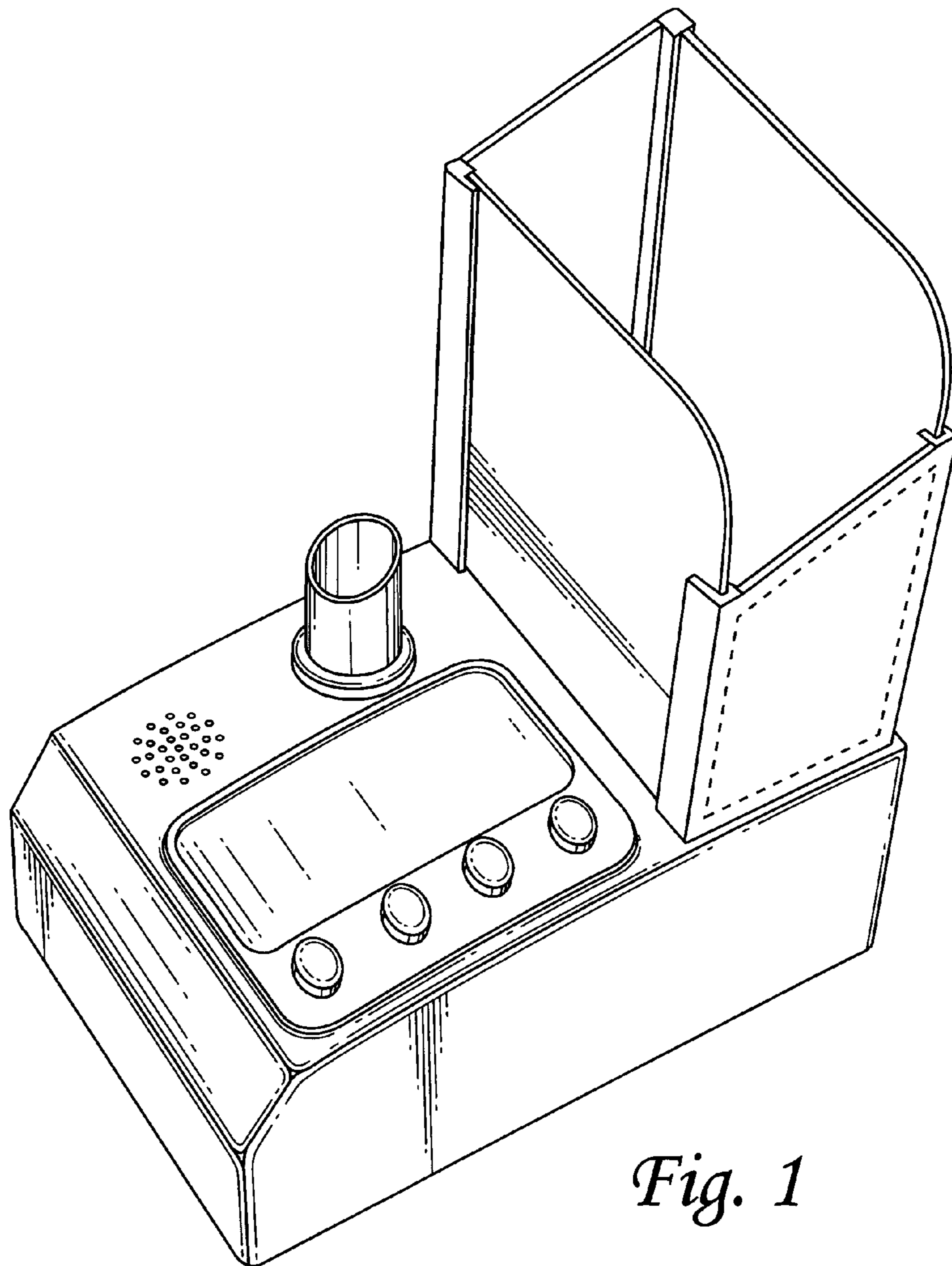
**DESCRIPTION**

FIG. 1 is a perspective view of a brochure holder; FIG. 2 is a top view of the brochure holder; FIG. 3 is a bottom view of a brochure holder; FIG. 4 is a front view of the brochure holder; FIG. 5 is a rear view of the brochure holder; FIG. 6 is a right side view of the brochure holder; and, FIG. 7 is a left side view of the brochure holder. The broken lines showing surfaces of the brochure holder in FIGS. 1, 3, 5, 6, and 7 are included for the purpose of illustrating portions that form no part of the claimed design.

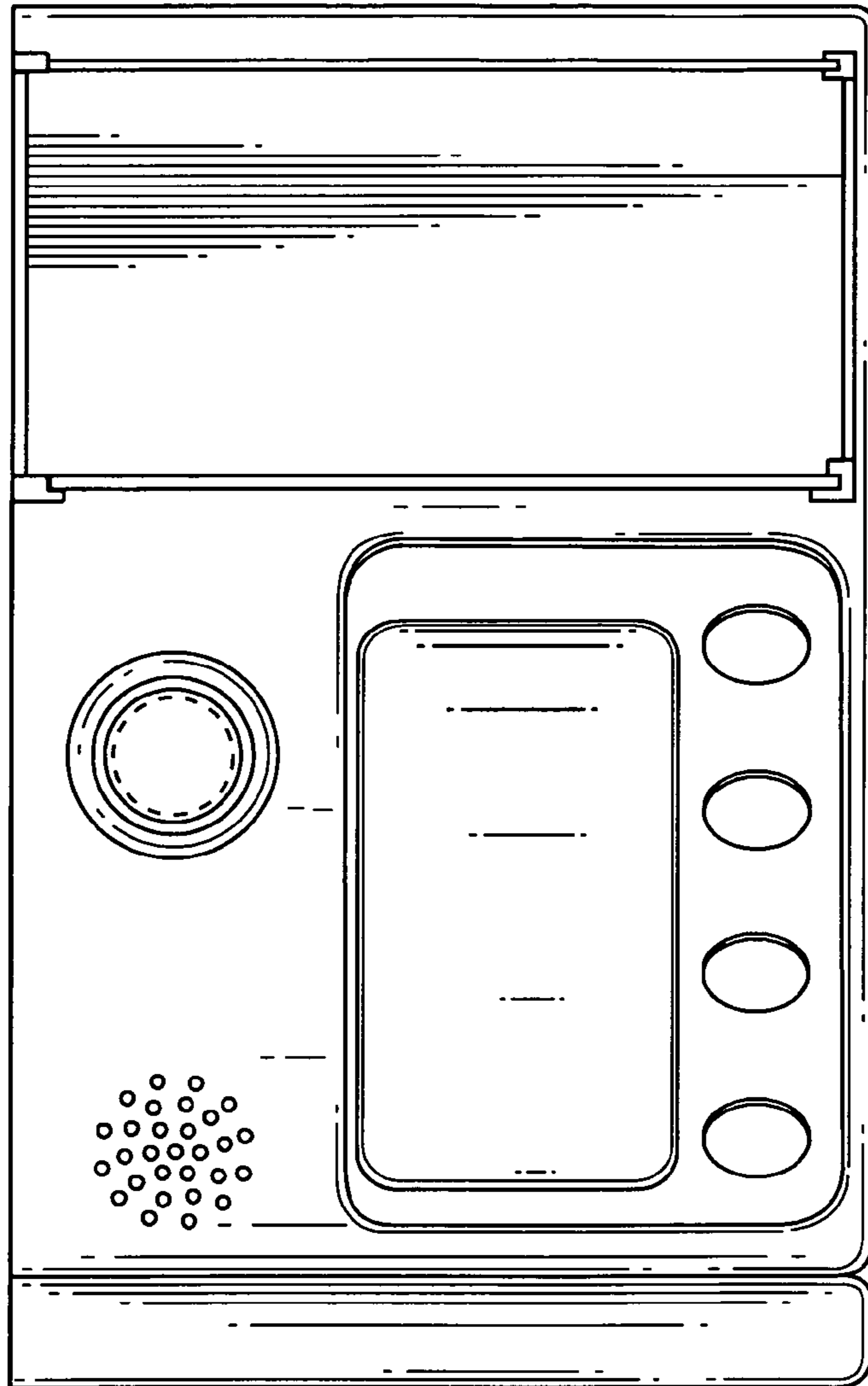
**1 Claim, 7 Drawing Sheets**

- (56) **References Cited**  
  
U.S. PATENT DOCUMENTS  
D190,202 S \* 4/1961 Hirsch ..... D14/168  
D191,891 S \* 12/1961 Antonio ..... D19/79  
D342,758 S \* 12/1993 Kirchhoff et al. .... D19/75

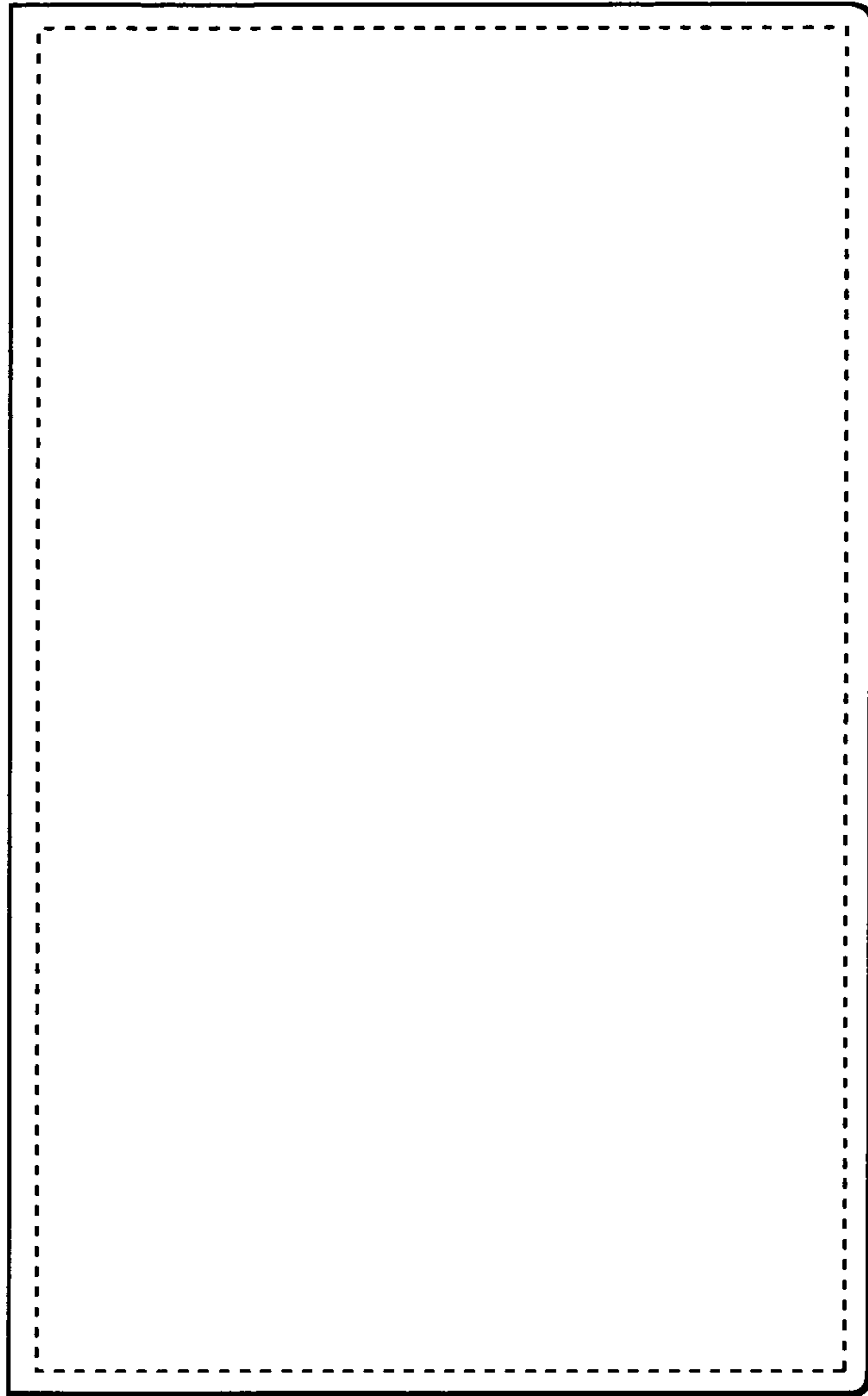




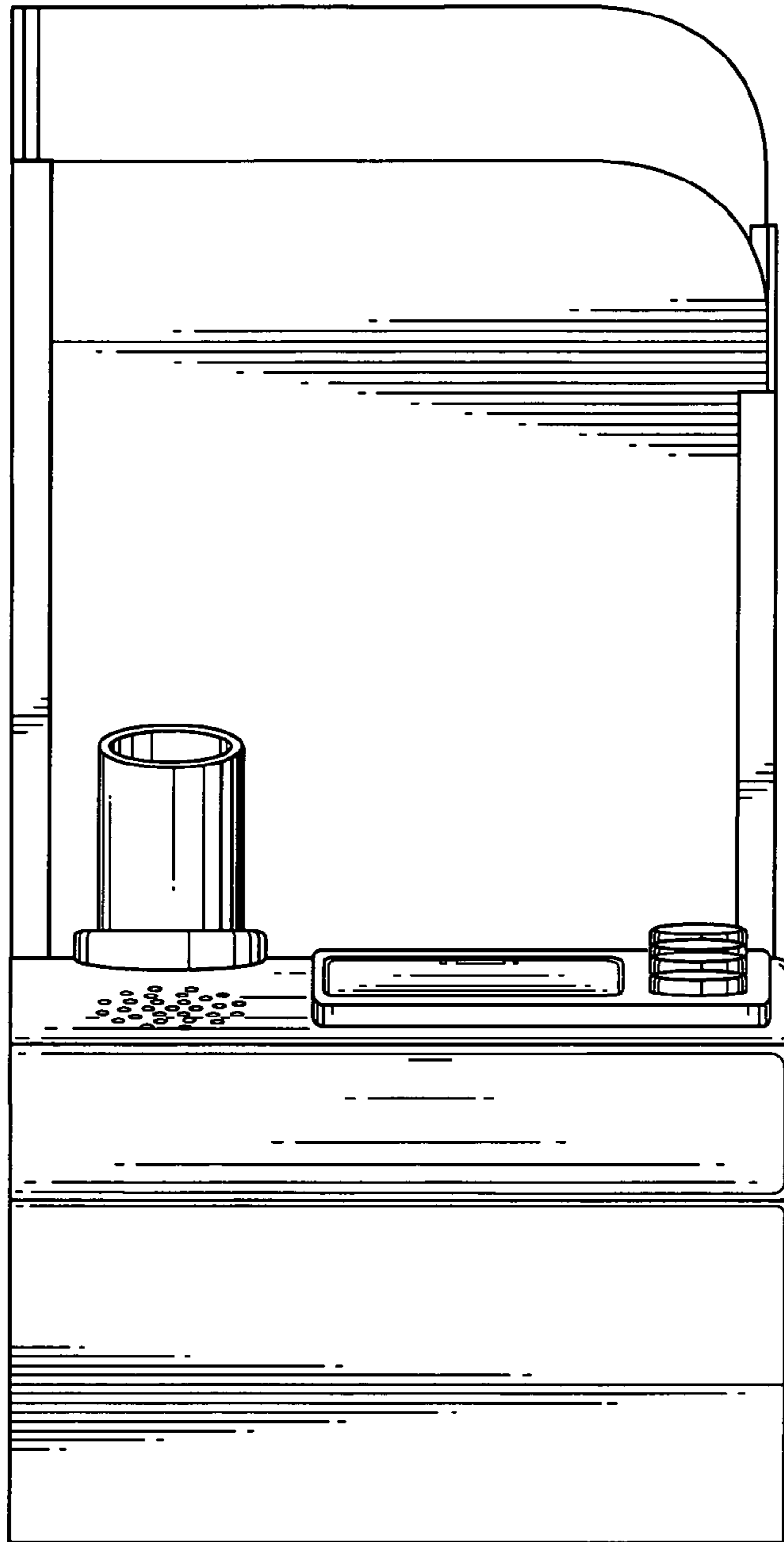
*Fig. 1*



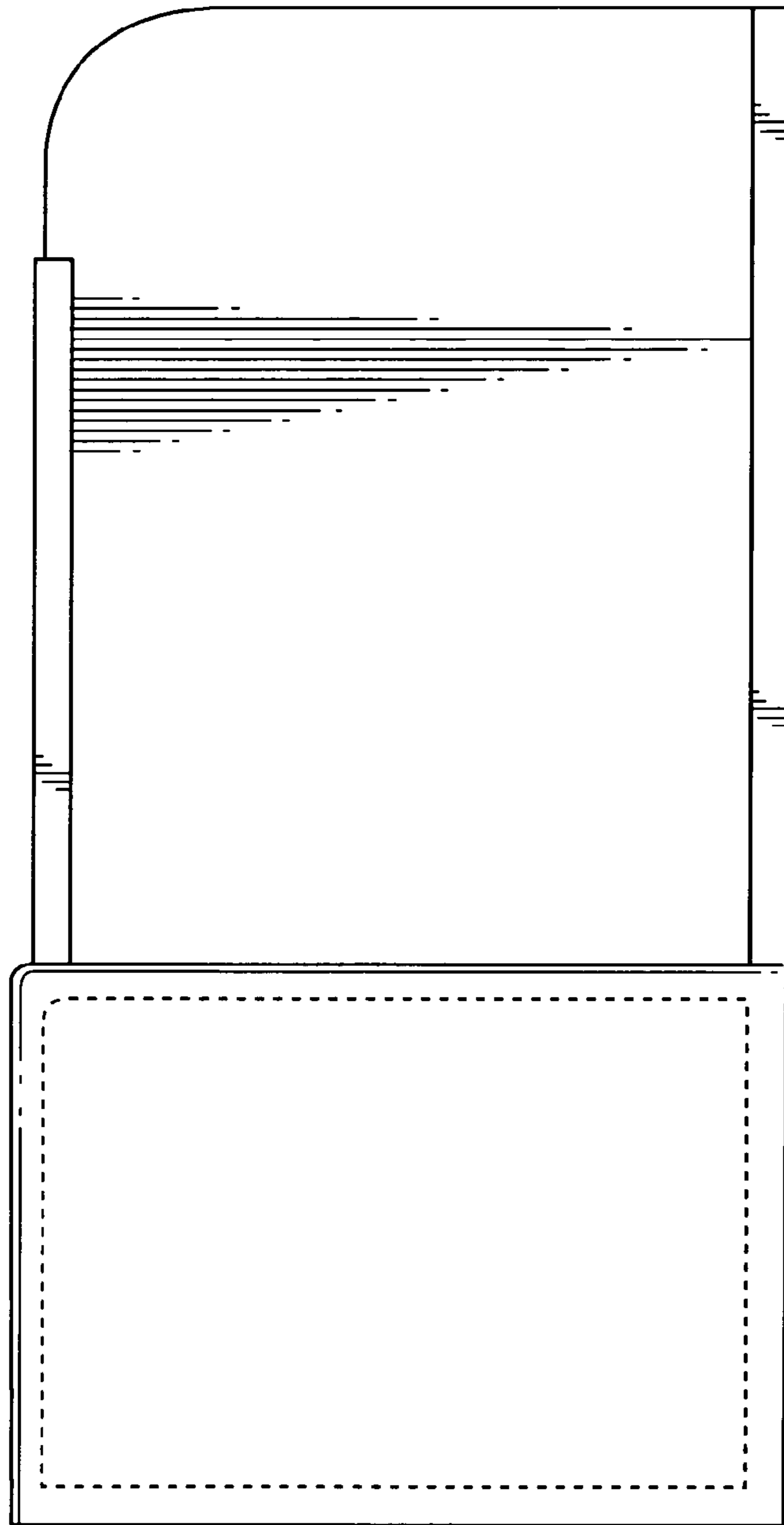
*Fig. 2*



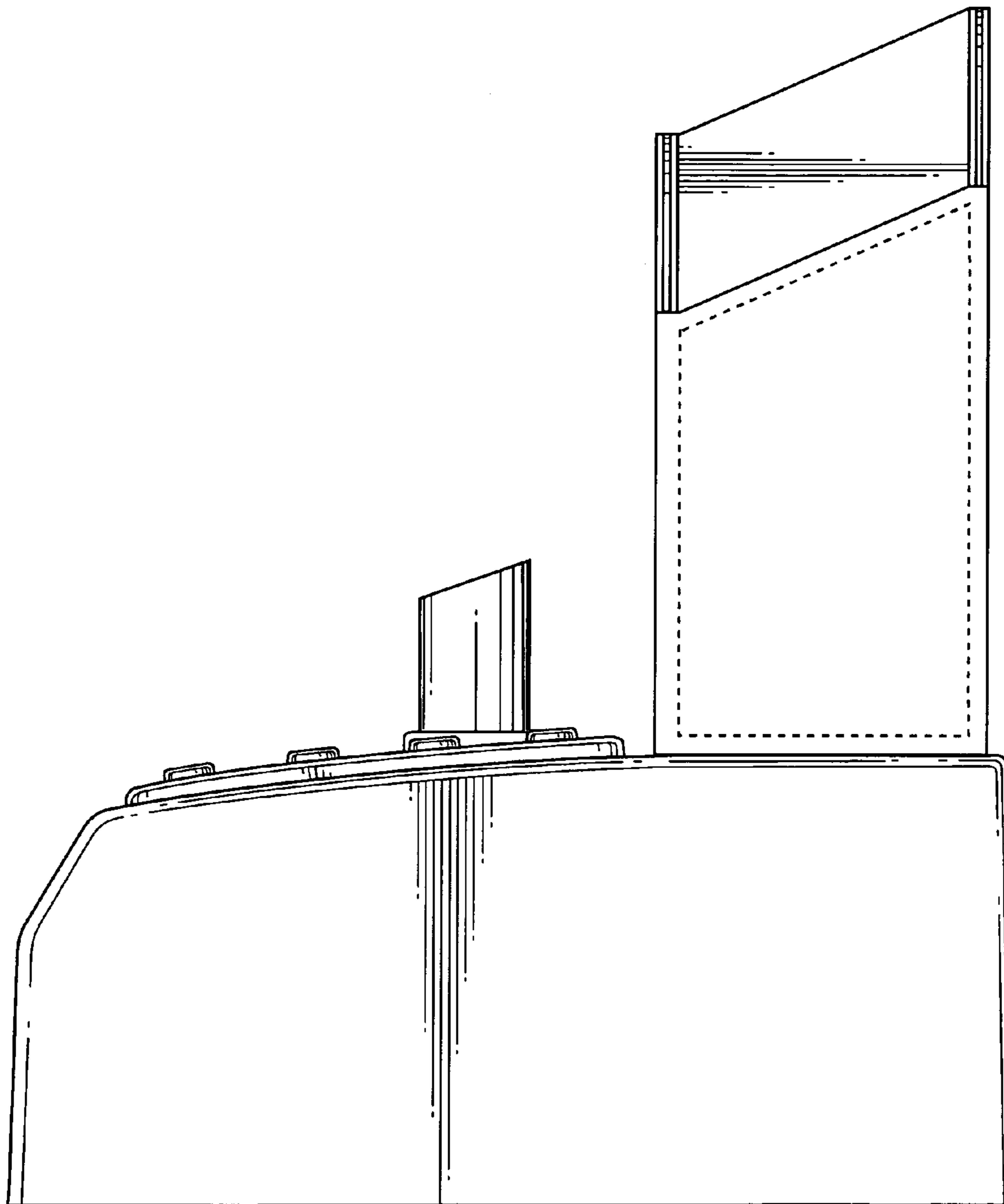
*Fig. 3*



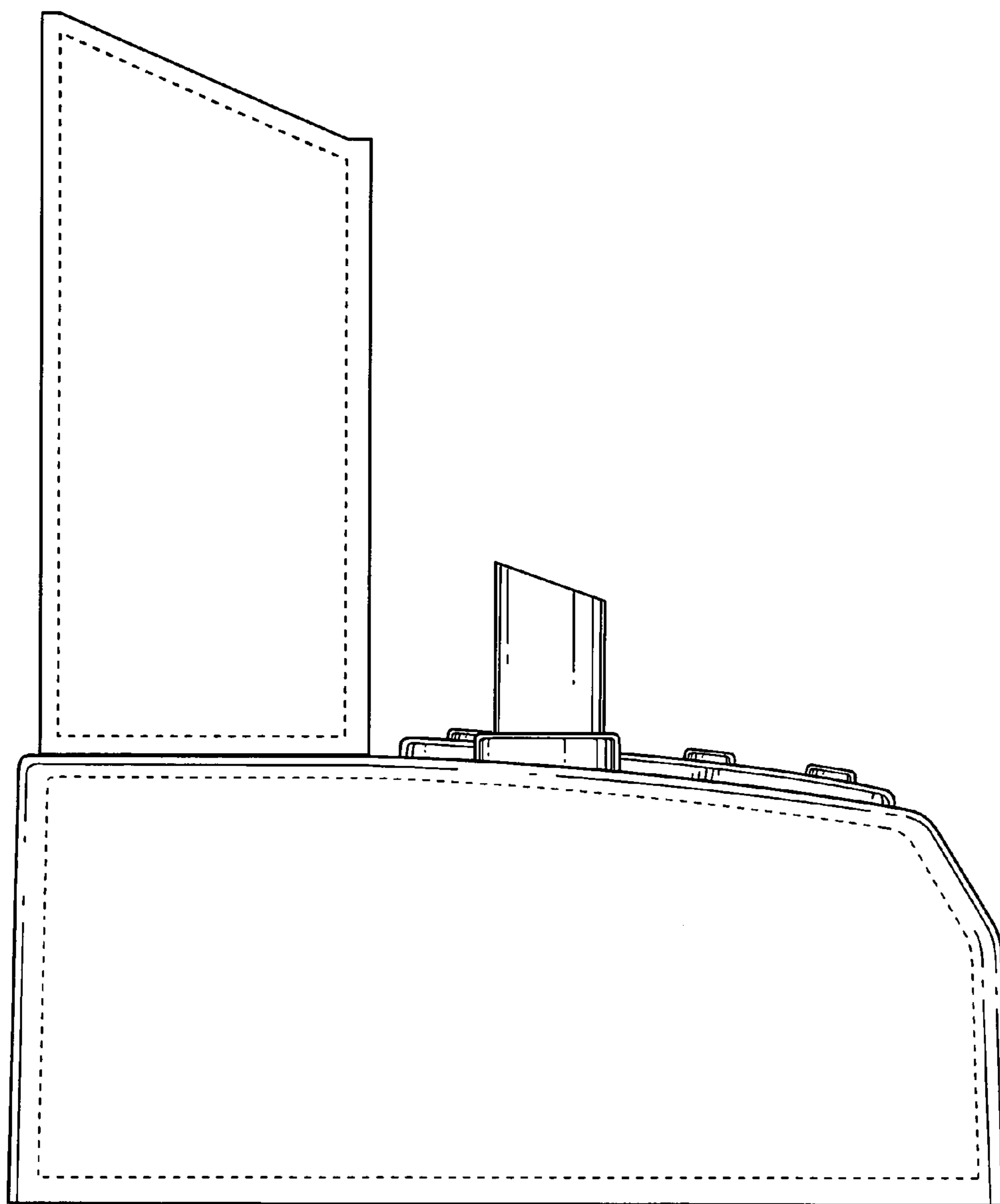
*Fig. 4*



*Fig. 5*



*Fig. 6*



*Fig. 7*