



US00D691198S

(12) **United States Design Patent**  
**Cetera**

(10) **Patent No.:** **US D691,198 S**

(45) **Date of Patent:** **\*\* Oct. 8, 2013**

(54) **BROCHURE STAND**

(56) **References Cited**

(75) Inventor: **Carl Cetera**, Westfield, NJ (US)

U.S. PATENT DOCUMENTS

(73) Assignee: **Cotapaxi Custom Design and Manufacturing LLC**, Carlstadt, NJ (US)

D190,202	S	*	4/1961	Hirsch	.....	D14/168
D191,891	S	*	12/1961	Antonio	.....	D19/79
D342,758	S	*	12/1993	Kirchhoff et al.	.....	D19/75
D359,985	S	*	7/1995	Mak	.....	D21/469
D366,500	S	*	1/1996	Goldthwaite	.....	D19/82
D368,277	S	*	3/1996	Schuster et al.	.....	D19/85
D401,236	S	*	11/1998	Fong	.....	D14/168
6,813,771	B2	*	11/2004	Weaver	.....	720/600
D551,284	S	*	9/2007	Bhavnani	.....	D18/7
2003/0227854	A1	*	12/2003	Weaver	.....	369/75.1

(\*\*) Term: **14 Years**

(21) Appl. No.: **29/421,152**

\* cited by examiner

(22) Filed: **Jun. 1, 2012**

*Primary Examiner* — Elizabeth Albert

**Related U.S. Application Data**

(74) *Attorney, Agent, or Firm* — Steven E. Shapiro

(63) Continuation-in-part of application No. 29/395,917, filed on Apr. 23, 2012, now abandoned.

(57) **CLAIM**

The ornamental design for a brochure stand, as shown and described.

(51) **LOC (9) Cl.** ..... **19-02**

**DESCRIPTION**

(52) **U.S. Cl.**  
USPC ..... **D19/90**

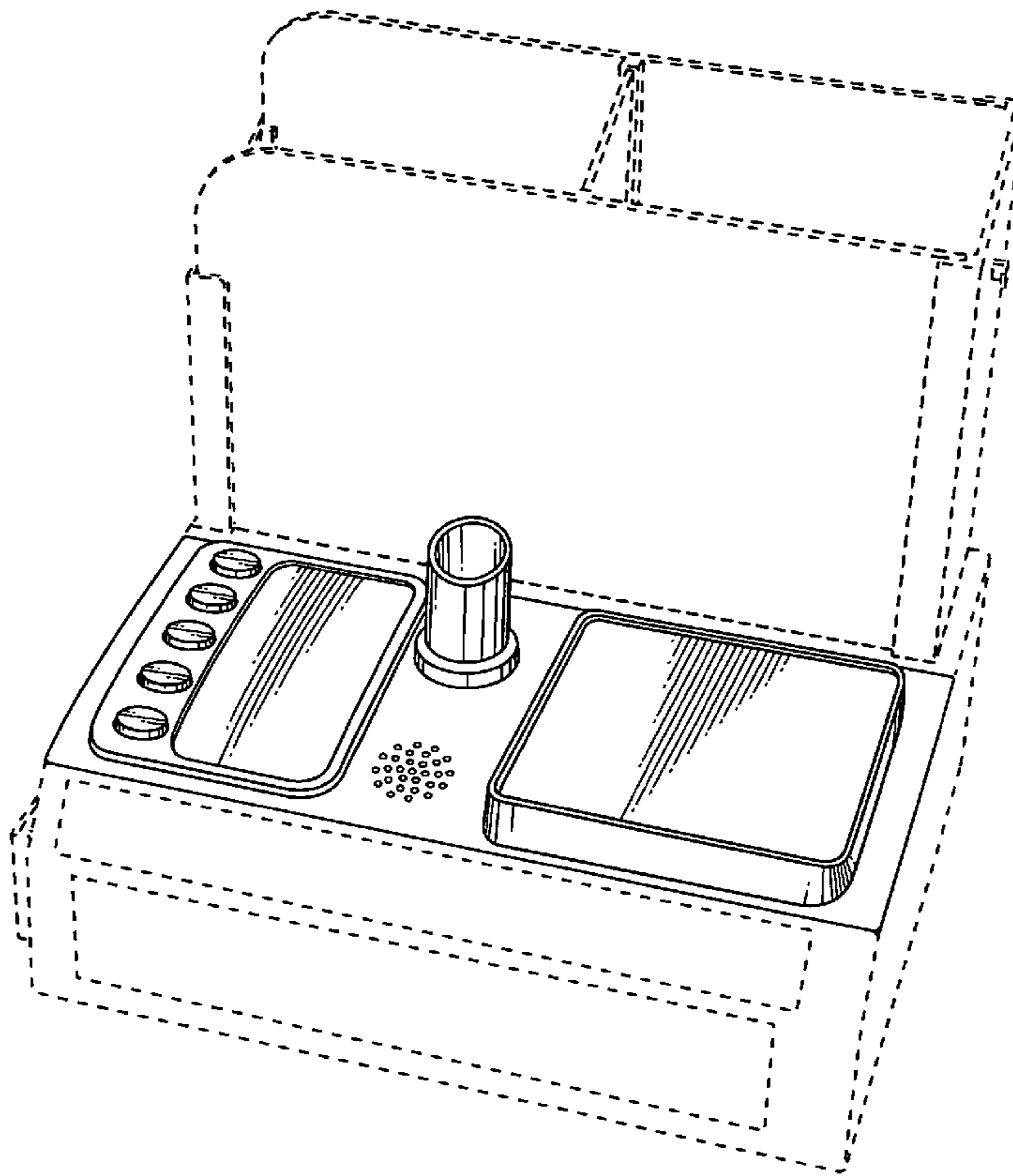
FIG. 1 is a top, front perspective view of a brochure stand; FIG. 2 is a front elevation view of FIG. 1; FIG. 3 is a right side elevation view of FIG. 1; FIG. 4 is a left side elevation view of FIG. 1; and, FIG. 5 is a top plan view of FIG. 1.

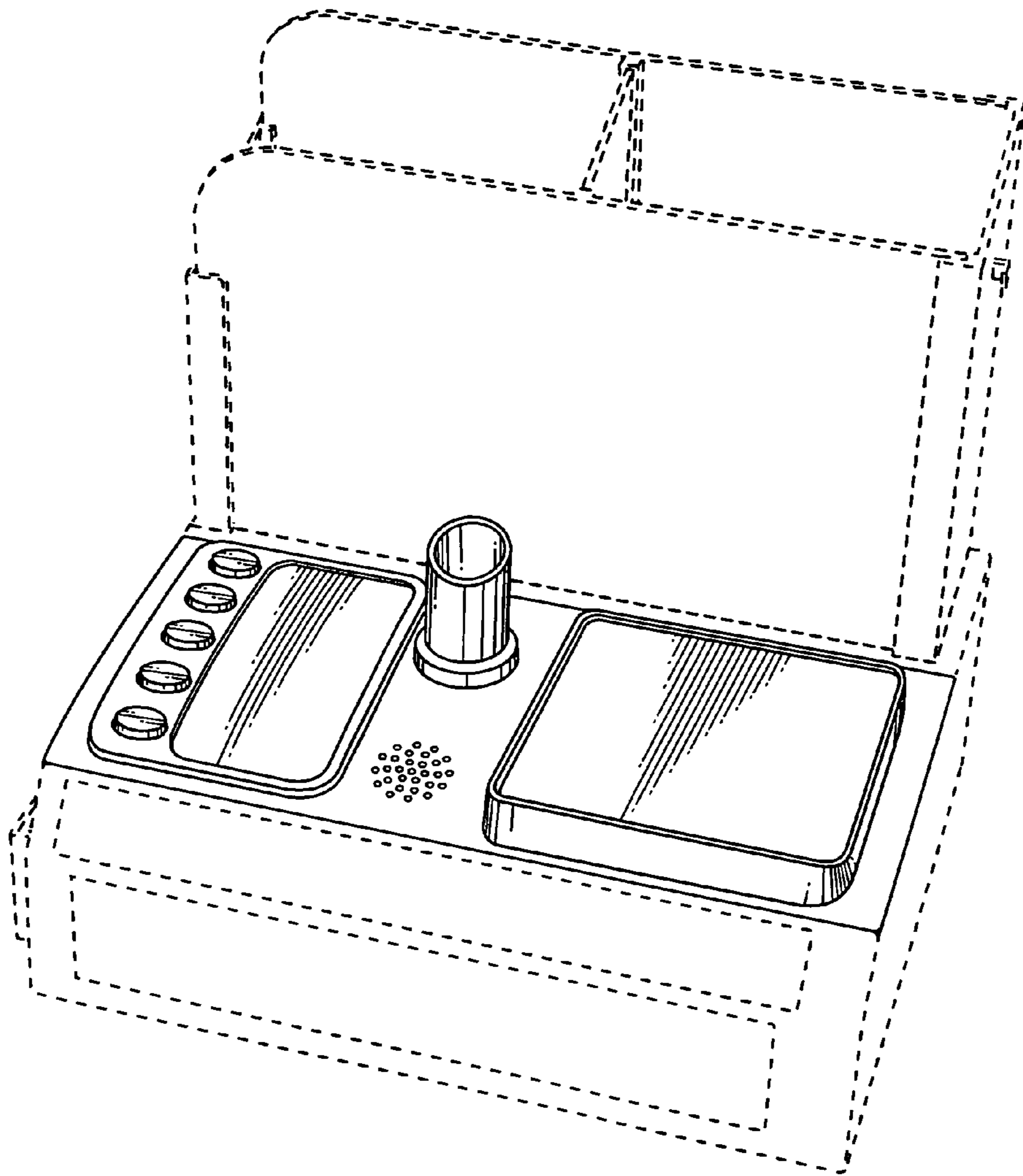
(58) **Field of Classification Search**  
USPC ..... D3/273, 294, 304, 314; D6/310, D6/311, 312, 672, 678.3, 700; D9/432; D19/26–31, 75, 77, 78, 81–86, 90, 91; 206/215, 206/425, 449, 555; 211/10, 11, 46, 48, 87.01; 248/447, 454, 460, 461, 462, 463

The broken lines showing parts of the brochure stand are included for the purpose of illustrating portions that form no part of the claimed design.

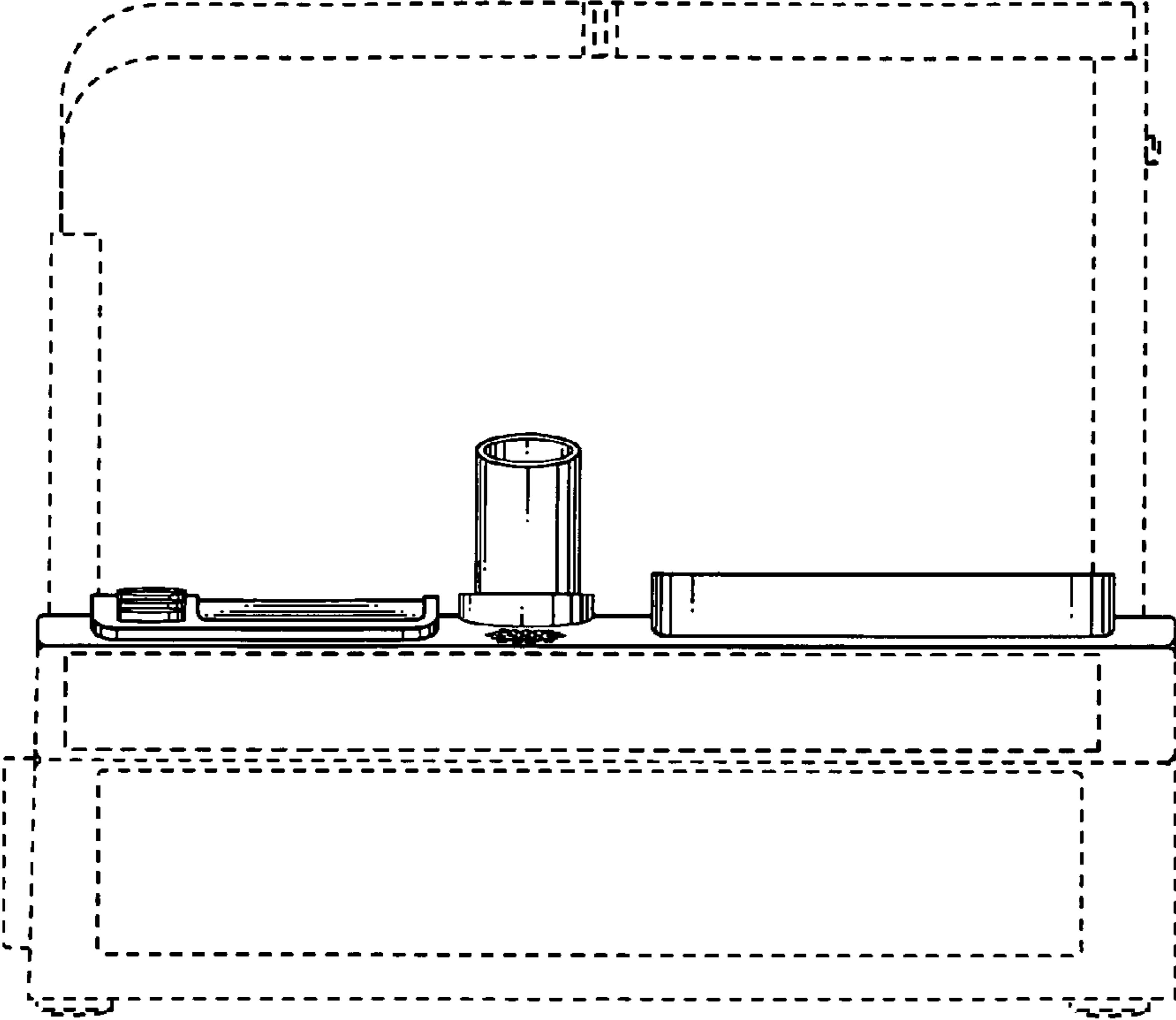
See application file for complete search history.

**1 Claim, 3 Drawing Sheets**



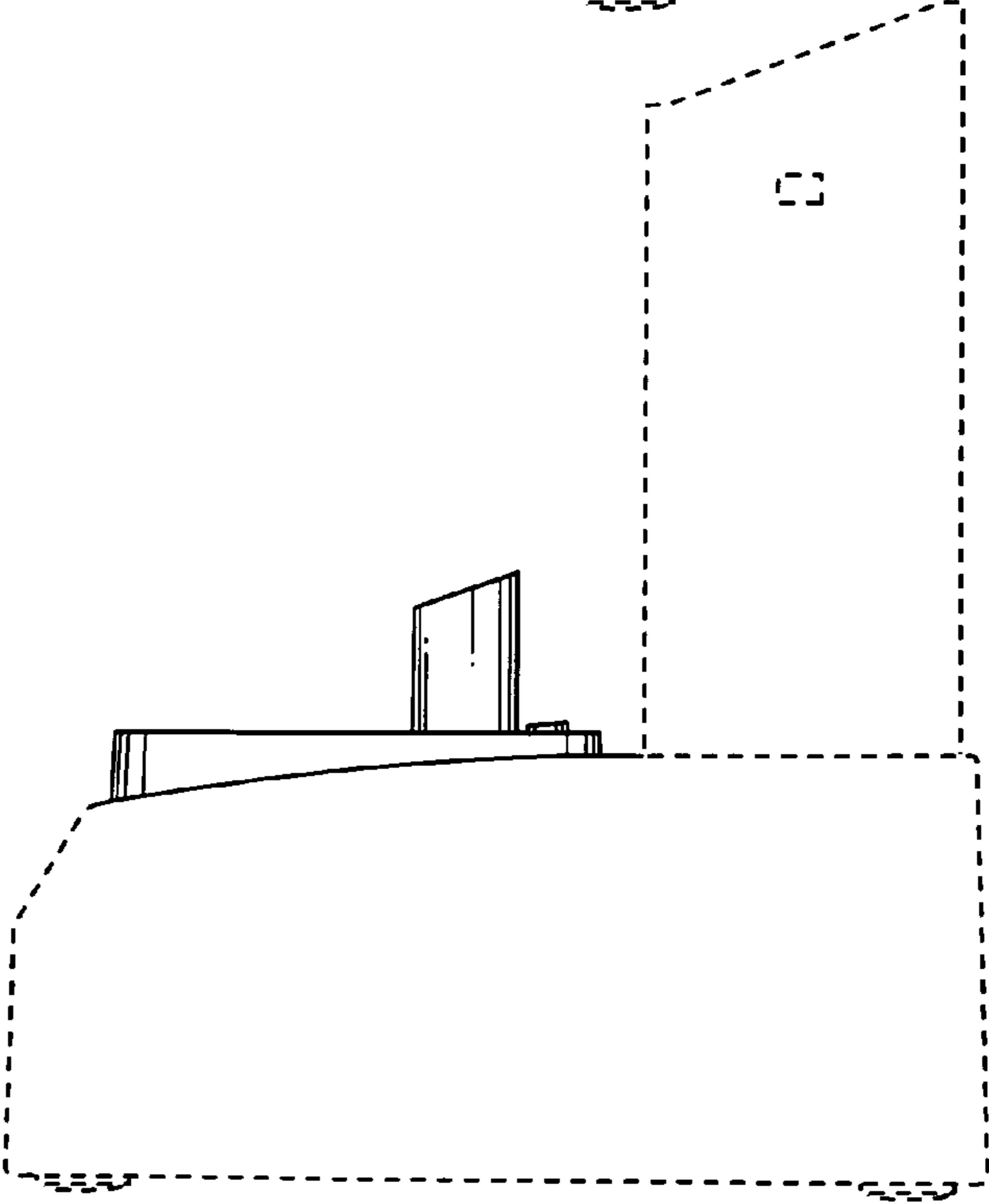


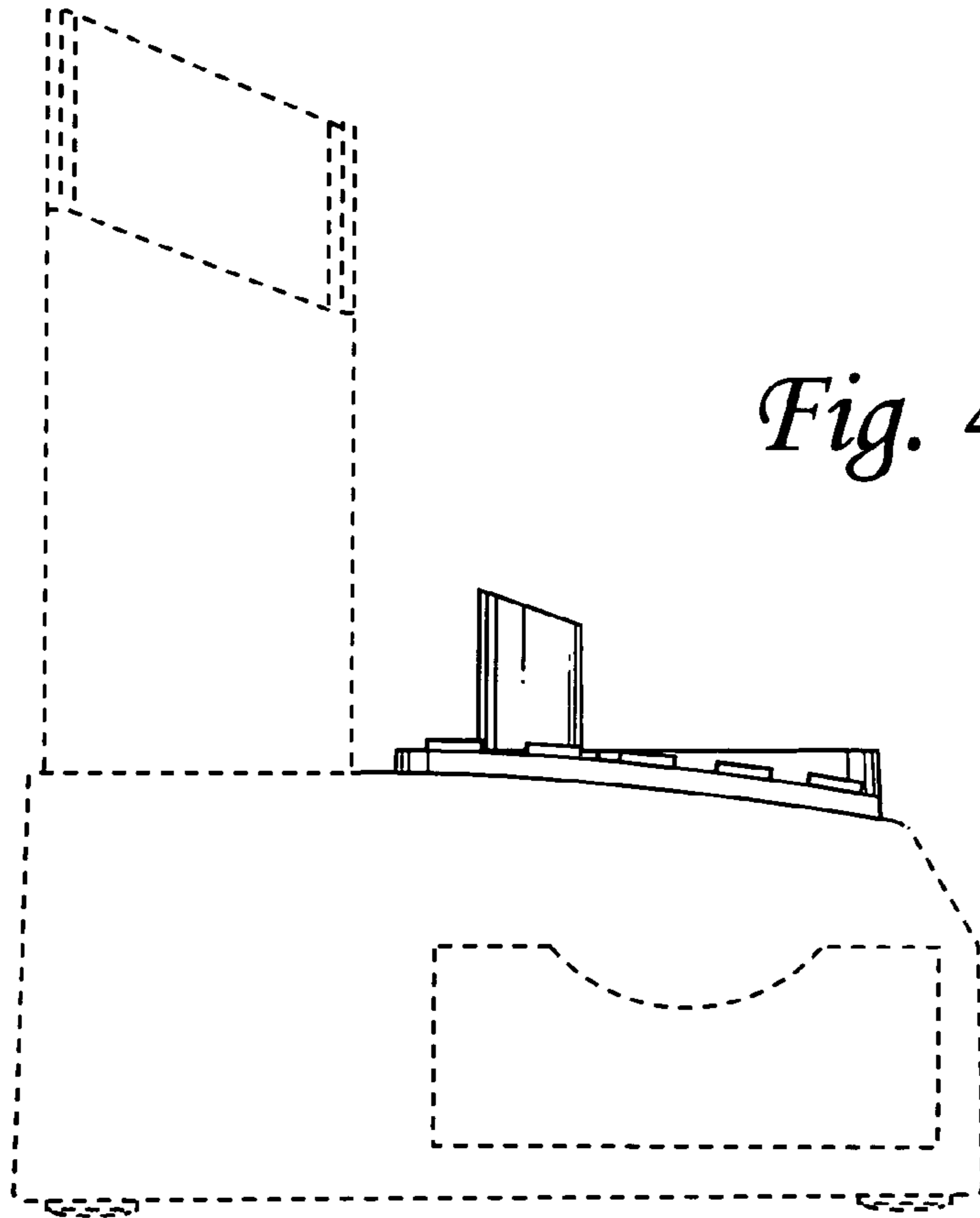
*Fig. 1*



*Fig. 2*

*Fig. 3*





*Fig. 4*

*Fig. 5*

