



US00D691196S

(12) **United States Design Patent**
Lv

(10) **Patent No.:** **US D691,196 S**
(45) **Date of Patent:** **** Oct. 8, 2013**

(54) **PEN**
(75) Inventor: **Xilv Lv**, Ningbo (CN)
(73) Assignee: **Beifa Group Co., Ltd.**, Ningbo (CN)
(**) Term: **14 Years**
(21) Appl. No.: **29/426,201**
(22) Filed: **Jul. 2, 2012**

D382,016 S 8/1997 Takahashi
D400,922 S 11/1998 Sakuno
D401,275 S 11/1998 Otake
D411,237 S 6/1999 Izushima
D447,173 S 8/2001 Yoon
D562,396 S 2/2008 Qiu
D575,817 S 8/2008 Loesel
D608,393 S * 1/2010 Koreska D19/50
D647,961 S * 11/2011 Zhang D19/43
D661,736 S * 6/2012 Zhang D19/43
D669,127 S * 10/2012 Chen D19/49
D678,282 S * 3/2013 Izen et al. D14/411
D682,936 S * 5/2013 Larson et al. D19/51

(30) **Foreign Application Priority Data**
Dec. 31, 2011 (CN) 2011 3 0507999
(51) **LOC (9) Cl.** **19-06**
(52) **U.S. Cl.**
USPC **D19/45**
(58) **Field of Classification Search**
USPC D14/411; D19/35, 36, 41-51, 53-58;
24/11 F, 11 P, 11 R; 401/52, 99-109, 192,
401/195, 196
See application file for complete search history.

FOREIGN PATENT DOCUMENTS

WO 062860 3/2003

* cited by examiner

Primary Examiner — Elizabeth Albert
(74) *Attorney, Agent, or Firm* — Christensen O'Connor Johnson Kindness PLLC

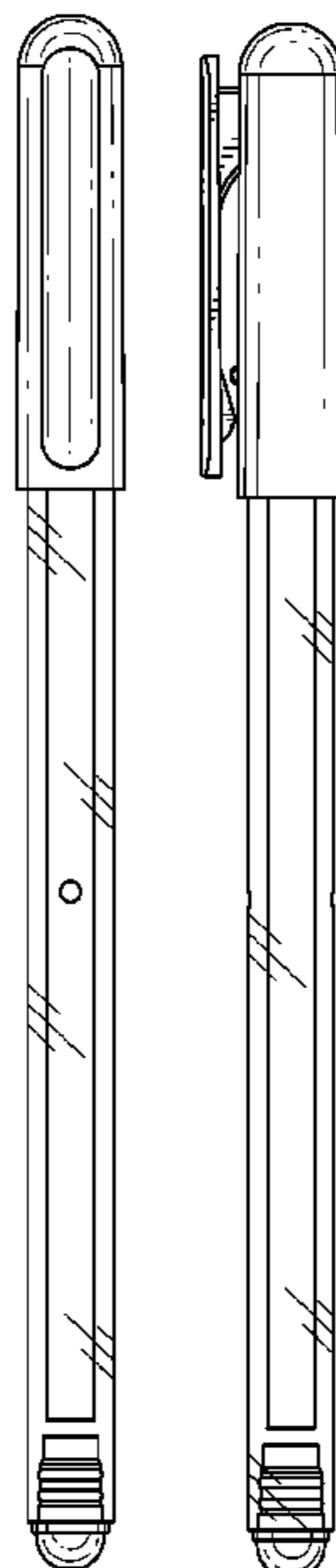
(57) **CLAIM**
The ornamental design for a pen, as shown and described.

DESCRIPTION

FIG. 1 is an upper front left perspective view of a pen showing my new design;
FIG. 2 is a front elevation view thereof;
FIG. 3 is a rear elevation view thereof;
FIG. 4 is a right side elevation view thereof, with the left side elevation view being a mirror image of the right side elevation view;
FIG. 5 is an enlarged top plan view thereof; and,
FIG. 6 is an enlarged bottom plan view thereof.
The broken lines shown in FIGS. 1, 5 and 6 illustrate environmental subject matter and form no part of the claimed design.

(56) **References Cited**
U.S. PATENT DOCUMENTS
D137,496 S * 3/1944 Lustig D3/203.2
D254,315 S * 2/1980 Carre D19/51
D260,101 S 8/1981 Gomez
D260,658 S 9/1981 Chiba
D261,531 S 10/1981 Delcroix
D263,482 S * 3/1982 Carre D19/51
D279,115 S * 6/1985 Nishida D19/51
D310,684 S * 9/1990 Itoh D19/57
D316,726 S * 5/1991 Itoh D19/51
D317,625 S * 6/1991 Itoh D19/57
D341,623 S * 11/1993 Chuang D19/36
D358,167 S * 5/1995 Herbst et al. D19/48
D370,497 S 6/1996 Moore
D378,761 S * 4/1997 Sekine D19/48

1 Claim, 3 Drawing Sheets



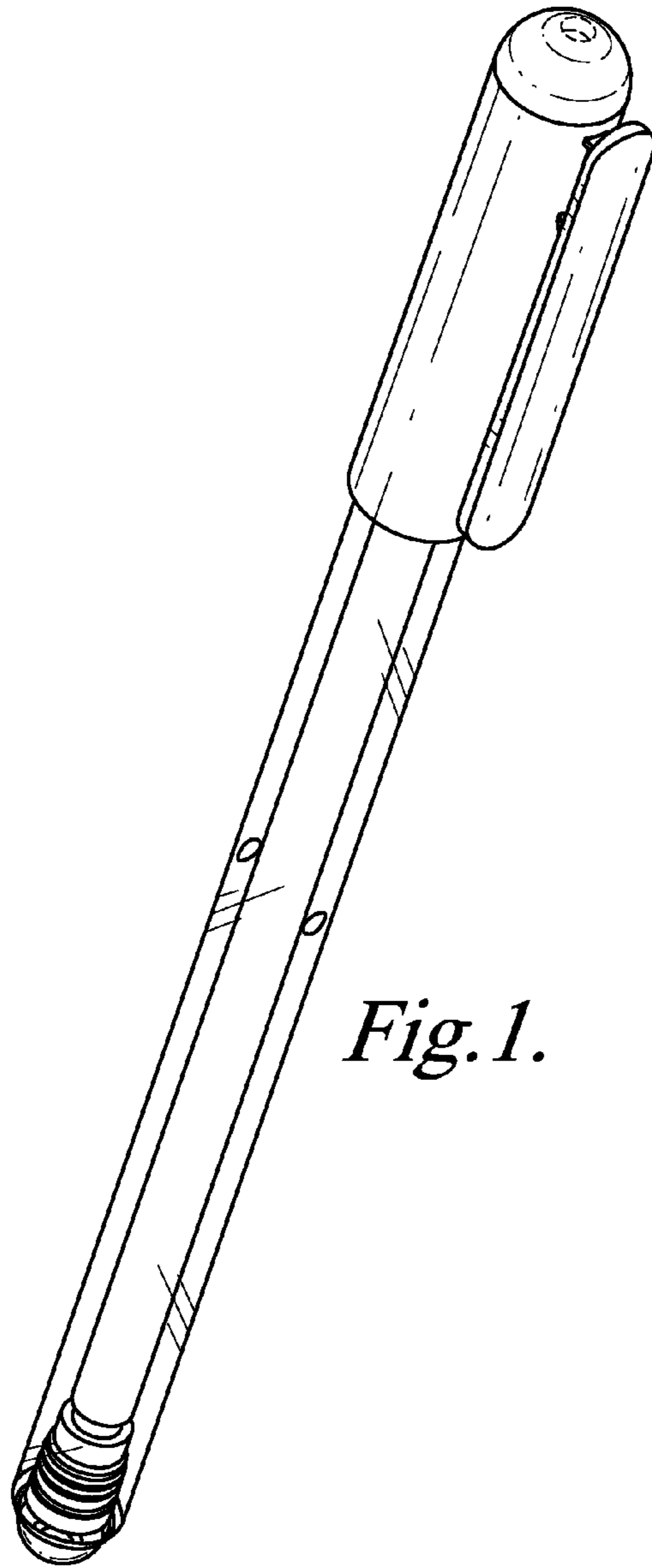


Fig. 1.

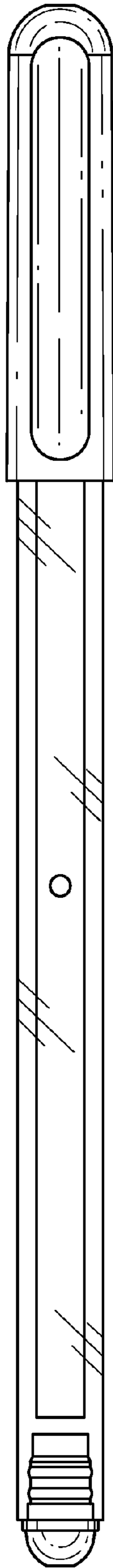


Fig.2.

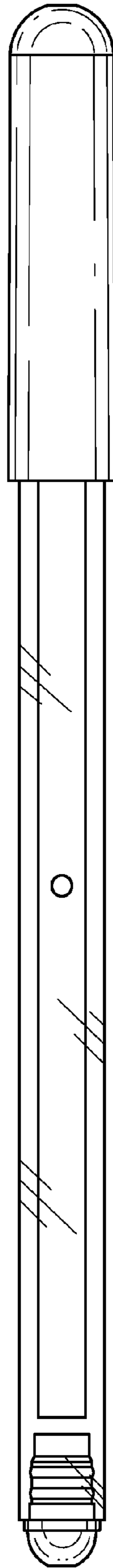


Fig.3.

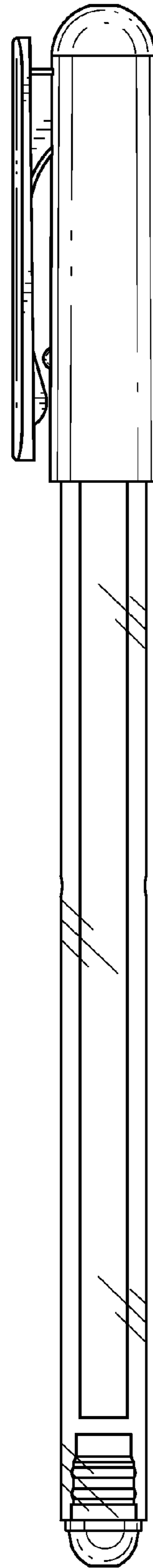


Fig.4.

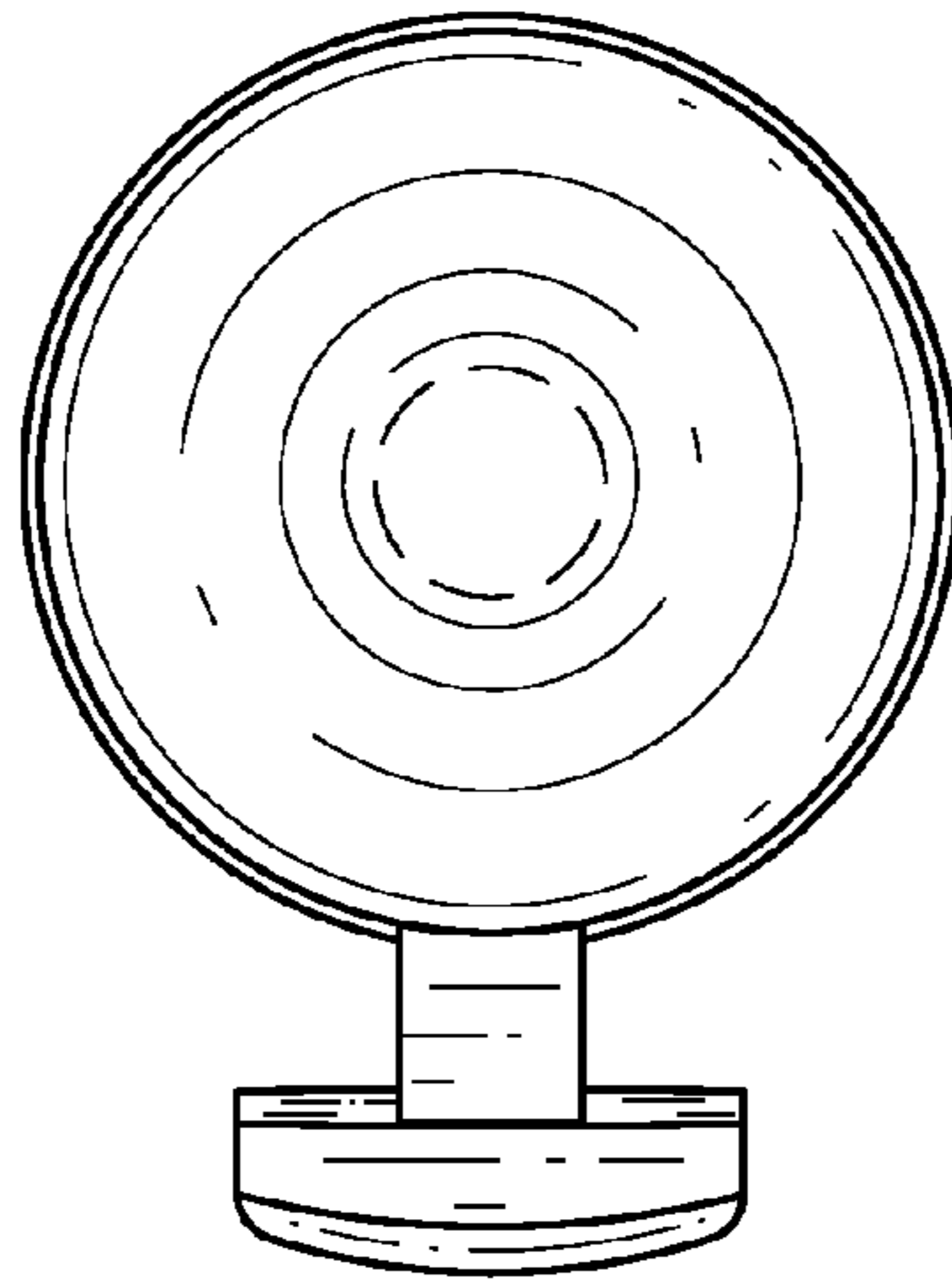


Fig. 5.

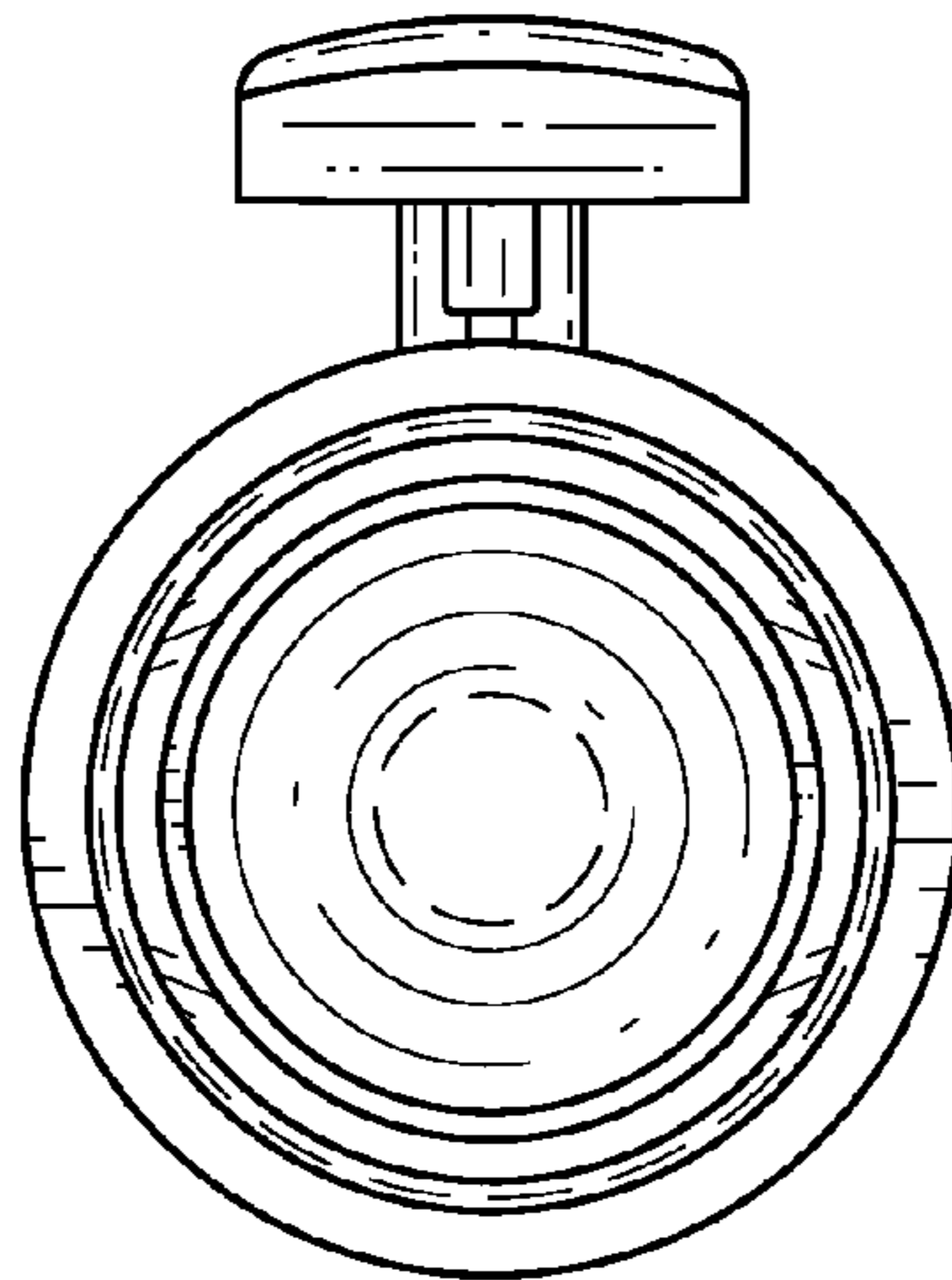


Fig. 6.

UNITED STATES PATENT AND TRADEMARK OFFICE
CERTIFICATE OF CORRECTION

PATENT NO. : D691,196 S
APPLICATION NO. : 29/426201
DATED : October 8, 2013
INVENTOR(S) : Larson et al.

Page 1 of 1

It is certified that error appears in the above-identified patent and that said Letters Patent is hereby corrected as shown below:

On The Title Page, Item (75) Inventor, delete “Xilv Lv, Ningbo (CN)” and substitute the following:

--Katherine E. Larson, Minneapolis, MN (US);
Thomas P. Kuehn, St. Louis Park, MN (US)--

Signed and Sealed this
Fifteenth Day of December, 2015



Michelle K. Lee
Director of the United States Patent and Trademark Office