

US00D691195S

(12) **United States Design Patent**
Klosky

(10) **Patent No.:** **US D691,195 S**
(45) **Date of Patent:** **** Oct. 8, 2013**

(54) **FOLDER**

(75) Inventor: **Eric Fitzgerald Klosky**, Chagrin Falls, OH (US)

(73) Assignee: **Ideastream Consumer Products, LLC**, Cleveland, OH (US)

(**) Term: **14 Years**

(21) Appl. No.: **29/388,234**

(22) Filed: **Mar. 25, 2011**

(51) **LOC (9) Cl.** **19-04**

(52) **U.S. Cl.**
USPC **D19/26**

(58) **Field of Classification Search**
USPC D19/26-33, 75, 86; 283/36-37, 283/39-41; 40/359-360, 641; 229/67.1-67.4, 229/72; 281/38, 42
See application file for complete search history.

(56) **References Cited**

U.S. PATENT DOCUMENTS

783,365 A 2/1905 Coleman
1,048,577 A 12/1912 Pardoe, Jr.

(Continued)

FOREIGN PATENT DOCUMENTS

EP 0 328 751 8/1989
EP 0 904 203 10/1997

(Continued)

OTHER PUBLICATIONS

Examiner's Report dated Dec. 19, 2011, for corresponding Canadian Patent Application No. 141820.

(Continued)

Primary Examiner — T. Chase Nelson

Assistant Examiner — Kathleen M Sims

(74) *Attorney, Agent, or Firm* — Calfee, Halter & Griswold LLP

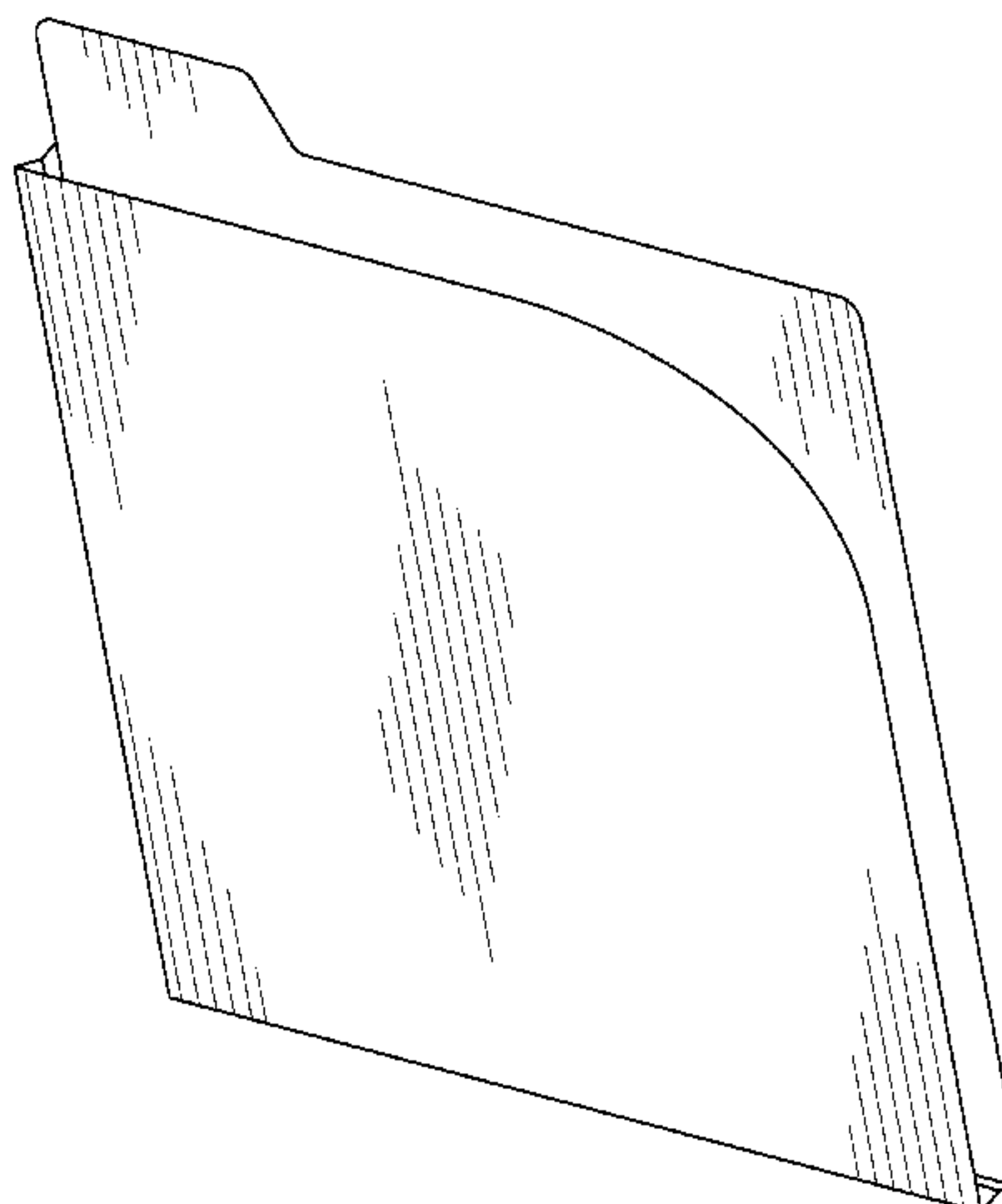
(57) **CLAIM**

I claim the ornamental design for a folder, as shown and described.

DESCRIPTION

FIG. 1 is a front/right/top perspective view of a first embodiment of the folder;
FIG. 2 is a front elevational view thereof;
FIG. 3 is a rear elevational view thereof;
FIG. 4 is a top plan view thereof;
FIG. 5 is a bottom plan view thereof;
FIG. 6 is a left side elevational view thereof; and
FIG. 7 is a right side elevational view thereof
FIG. 8 is an alternate front/left/top perspective view thereof, with the front surface shown in an alternate position curled from upper right to lower left.
FIG. 9 is an alternate front elevational view thereof, with the gusset shown in an alternate position, extended out.
FIG. 10 is a front/right/top perspective view of a second embodiment of the folder;
FIG. 11 is a front elevational view thereof;
FIG. 12 is a rear elevational view thereof;
FIG. 13 is a top plan view thereof;
FIG. 14 is a bottom plan view thereof;
FIG. 15 is a left side elevational view thereof; and
FIG. 16 is a right side elevational view thereof.
FIG. 17 is an alternate front/left/top perspective view thereof, with the front surface shown in an alternate position, curled from upper right to lower left.
FIG. 18 is an alternate front elevational view thereof, with the gusset shown in an alternate position, extended out;
FIG. 19 is a front/right/top perspective view of a third embodiment of the folder;
FIG. 20 is a front elevational view thereof;
FIG. 21 is a rear elevational view thereof;
FIG. 22 is a top plan view thereof;
FIG. 23 is a bottom plan view thereof;
FIG. 24 is a left side elevational view thereof; and
FIG. 25 is a right side elevational view thereof.
FIG. 26 is an alternate front/left/top perspective view thereof, with the front surface shown in an alternate position, curled from upper right to lower left; and,
FIG. 27 is an alternate front elevational view thereof, with the gusset shown in an alternate position, extended out.

1 Claim, 15 Drawing Sheets



(56)

References Cited

U.S. PATENT DOCUMENTS

1,175,691 A * 3/1916 Blizard 229/67.1
 1,495,953 A * 5/1924 Dick 281/31
 1,745,249 A 8/1928 Doughty
 1,777,499 A 10/1930 Lupfer
 1,802,429 A 4/1931 Josephson
 1,922,213 A 8/1933 Middleton
 2,013,664 A 9/1935 Marowitz
 2,016,258 A 10/1935 Schmitz
 2,300,623 A 11/1942 Hornung
 D135,893 S 6/1943 Schenker
 2,345,793 A 4/1944 Chapel
 2,949,223 A 8/1960 Eichenlaub
 3,371,850 A 3/1968 Gorman
 3,561,147 A 2/1971 Valencia
 3,680,969 A 8/1972 Gorman
 3,756,468 A 9/1973 Holmes
 4,388,958 A * 6/1983 Dworkin 229/72
 D275,576 S 9/1984 Kirk
 4,765,485 A 8/1988 Perkins
 4,923,111 A 5/1990 Down
 4,951,863 A 8/1990 Templet
 D312,277 S 11/1990 Moor
 D312,476 S * 11/1990 Westendorff D19/27
 5,002,191 A 3/1991 Herbst
 D316,113 S 4/1991 Hawes, Jr. et al.
 5,009,361 A 4/1991 Chariton et al.
 5,025,979 A 6/1991 Dellacroce
 5,052,646 A 10/1991 Hawes, Jr. et al.
 5,066,045 A 11/1991 Hawes, Jr. et al.
 5,161,731 A 11/1992 Rivlin et al.
 5,193,701 A 3/1993 Bush et al.
 D337,784 S 7/1993 Wyant
 D337,926 S 8/1993 Polak et al.
 5,237,732 A 8/1993 Polak et al.
 5,255,798 A 10/1993 Aaldenberg et al.
 5,256,130 A 10/1993 Kachel et al.
 5,261,636 A 11/1993 Hawes, Jr. et al.
 5,284,362 A 2/1994 Kachel et al.
 5,287,414 A 2/1994 Foster
 5,326,008 A 7/1994 Polak et al.
 5,358,126 A 10/1994 Jones et al.
 5,540,513 A 7/1996 Wyant
 5,711,750 A 1/1998 Christensen et al.
 5,720,427 A 2/1998 Kachel et al.
 5,833,271 A 11/1998 Foster et al.
 5,909,979 A * 6/1999 Winzen 402/79
 D421,050 S 2/2000 Henrikson et al.
 6,063,226 A 5/2000 Foster et al.
 6,082,612 A * 7/2000 Black 229/67.1
 6,138,900 A * 10/2000 Zeiler 229/67.4
 D438,904 S * 3/2001 Reynolds D19/90
 6,209,778 B1 4/2001 Henrikson et al.
 6,220,504 B1 4/2001 Flynn et al.
 6,220,505 B1 4/2001 Flynn et al.

6,248,050 B1 6/2001 Boy
 6,279,817 B1 8/2001 Flynn et al.
 6,332,285 B1 12/2001 Aaldenberg et al.
 6,352,198 B1 3/2002 Flynn et al.
 6,357,651 B1 3/2002 Flynn et al.
 6,364,198 B1 4/2002 Flynn et al.
 6,367,689 B1 4/2002 Flynn et al.
 6,375,065 B1 4/2002 Flynn et al.
 6,415,976 B1 7/2002 Flynn et al.
 6,425,519 B1 7/2002 Flynn et al.
 6,427,905 B1 8/2002 Flynn et al.
 6,453,589 B1 9/2002 Schwartz
 6,488,999 B1 12/2002 Flynn et al.
 6,499,651 B2 12/2002 Gerrie et al.
 6,499,652 B1 12/2002 Flynn et al.
 6,523,737 B1 2/2003 Flynn et al.
 6,732,461 B2 5/2004 Slattery et al.
 6,808,104 B2 * 10/2004 Cobble 229/67.1
 7,108,169 B2 9/2006 Balzer
 7,270,234 B2 9/2007 Hodsdon
 D577,768 S * 9/2008 Takahashi D19/27
 D588,634 S * 3/2009 Wittmeyer et al. D19/26
 7,699,349 B2 4/2010 MacWilliams
 D637,229 S * 5/2011 Hicks et al. D19/26
 2003/0010815 A1 1/2003 Balzer
 2004/0040193 A1 3/2004 Slattery et al.
 2005/0000839 A1 1/2005 Densley
 2006/0151587 A1 7/2006 Garbarino
 2008/0041924 A1 2/2008 Christensen et al.
 2008/0197174 A1 8/2008 Wittmeyer et al.
 2009/0101605 A1 4/2009 Goodfellow et al.
 2009/0101696 A1 4/2009 Ong
 2009/0283576 A1 11/2009 Jones et al.
 2010/0007131 A1 1/2010 Flynn et al.
 2010/0038895 A1 2/2010 Grassia
 2010/0045021 A1 2/2010 Groch
 2010/0116872 A1 5/2010 Kent et al.

FOREIGN PATENT DOCUMENTS

EP 1 199 189 4/2002
 EP 2 052 873 4/2009
 EP 2010/017529 2/2010
 FR 2 318 036 11/1977
 JP 1-180398 7/1989
 JP 1-180399 7/1989
 WO 90/02661 3/1990
 WO 93/03933 3/1993
 WO 97-39900 10/1997
 WO 01/01381 1/2001
 WO 2004/020219 3/2004

OTHER PUBLICATIONS

Response to Examiner's Report filed Apr. 19, 2012, for corresponding Canadian Patent Application No. 141820.

* cited by examiner

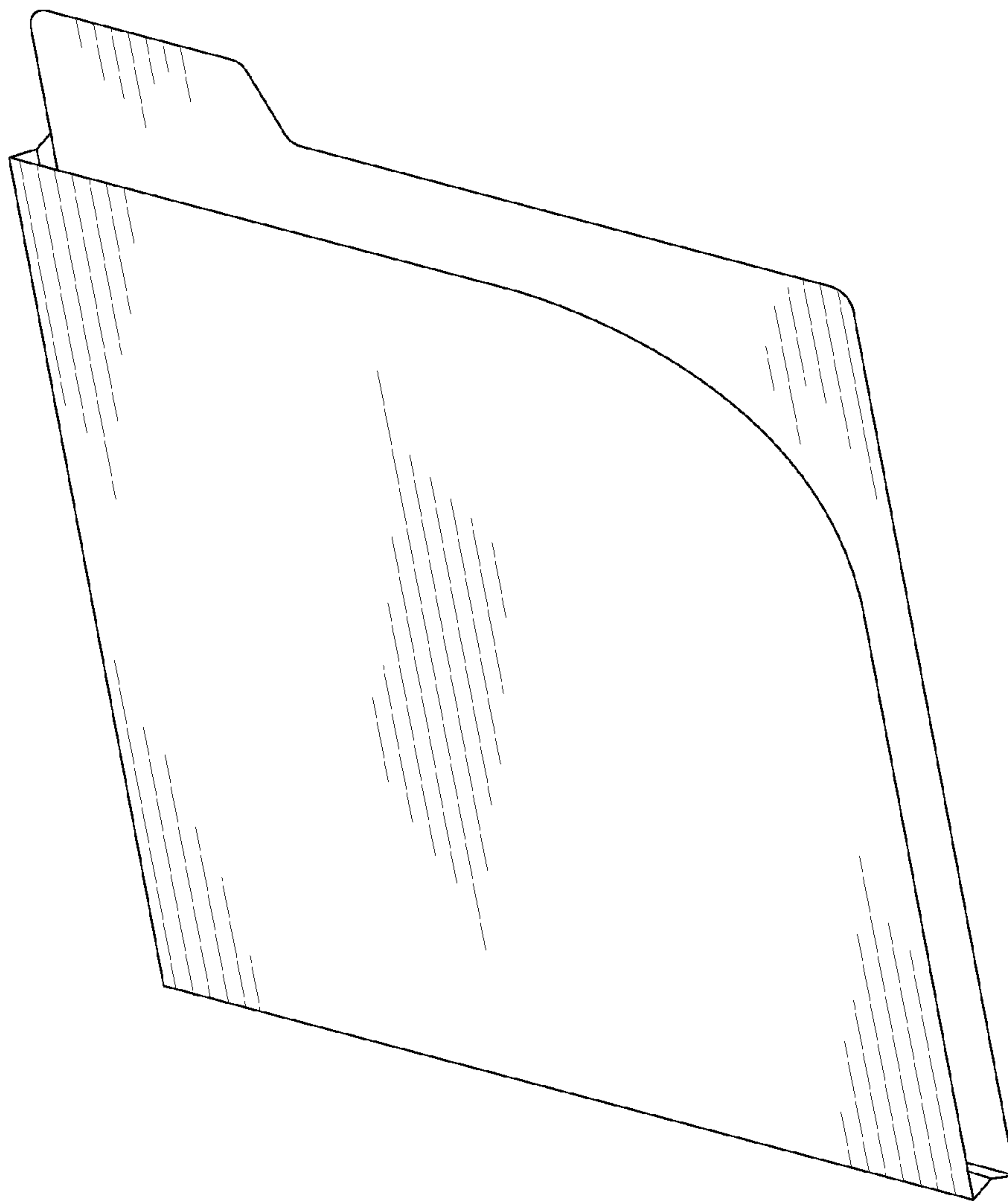


FIG. 1

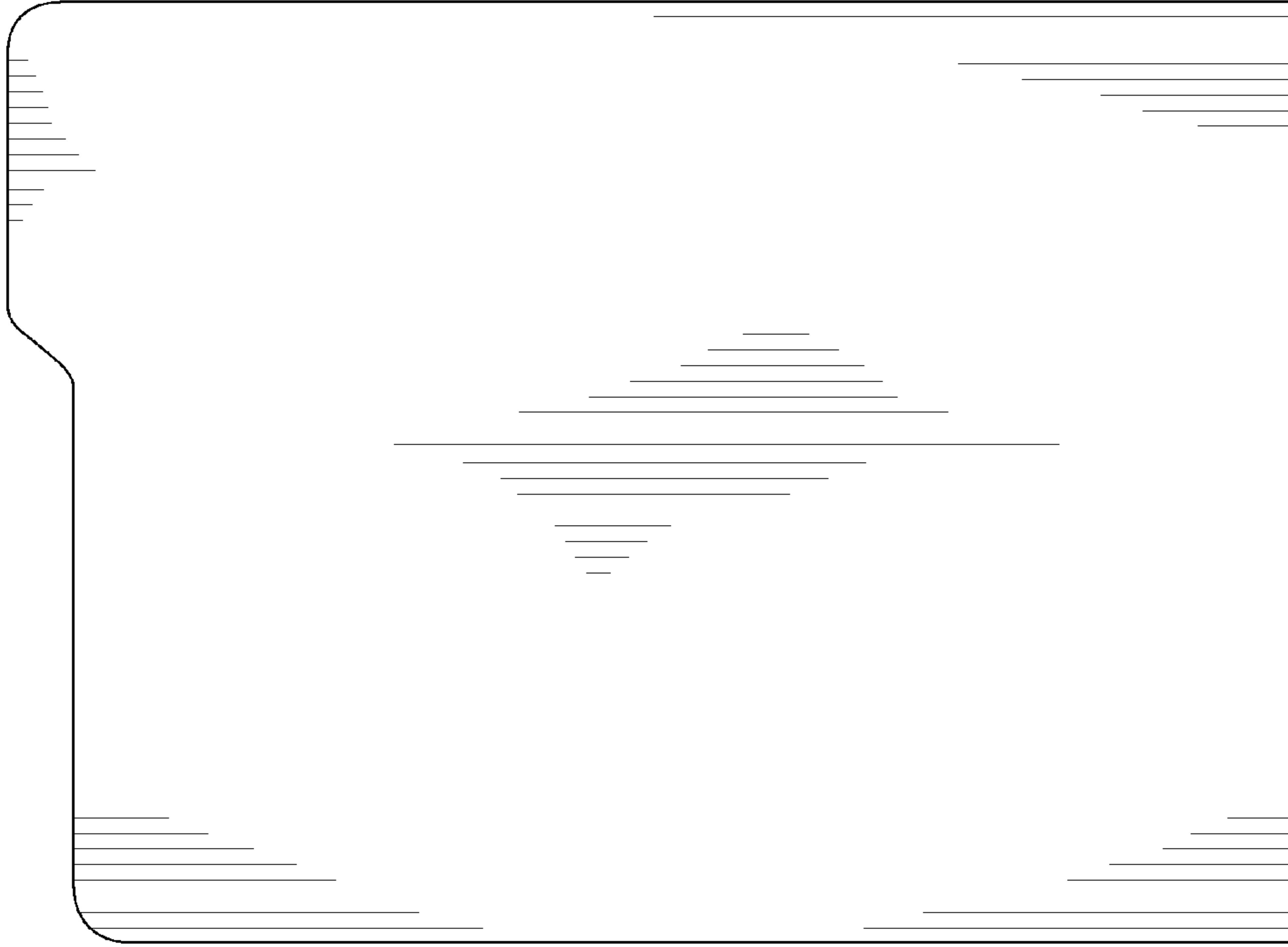


FIG. 3

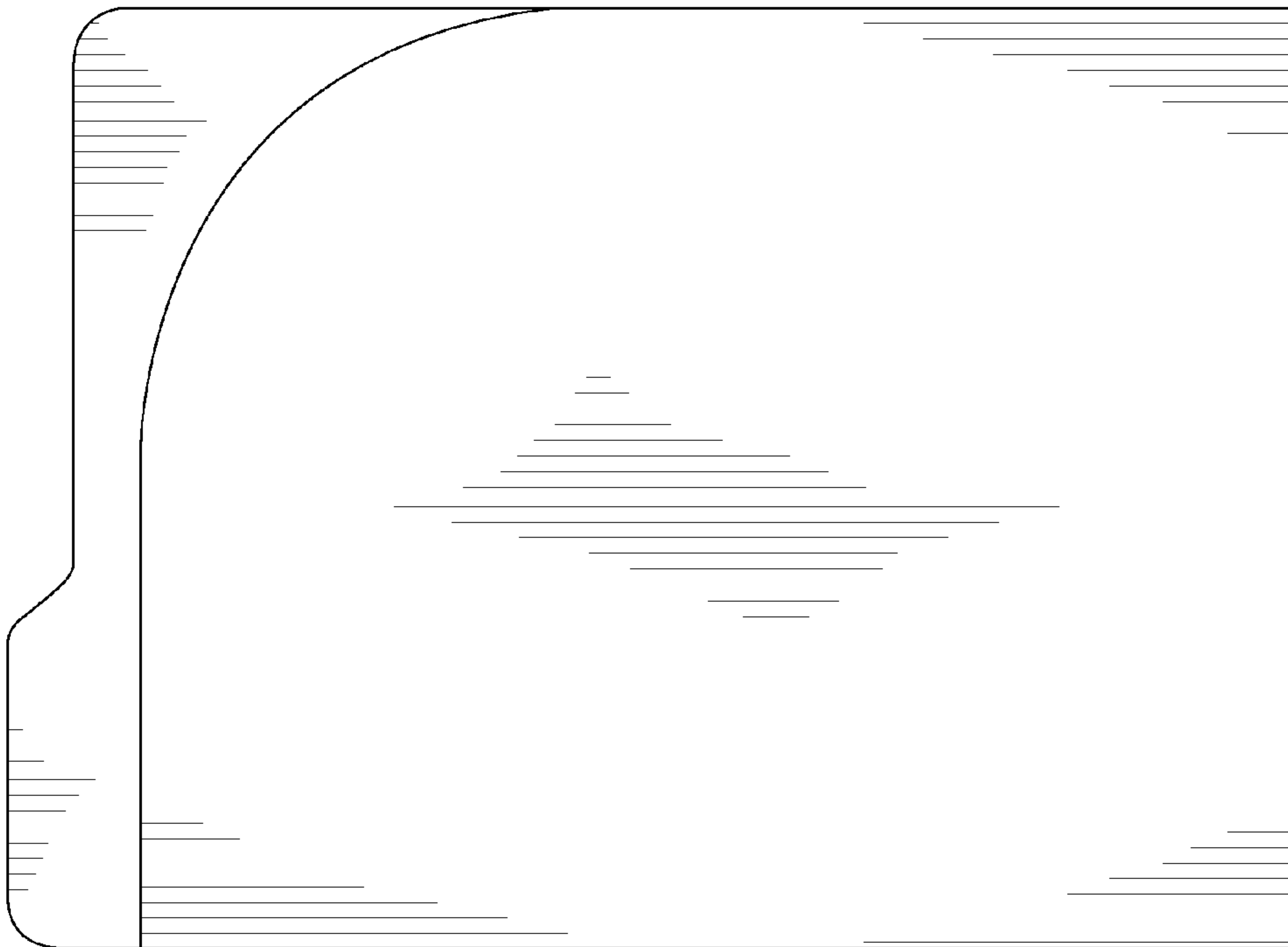


FIG. 2



FIG. 4

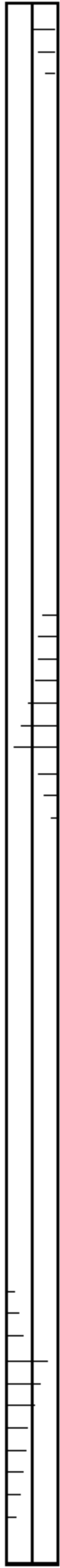


FIG. 5



FIG. 6



FIG. 7

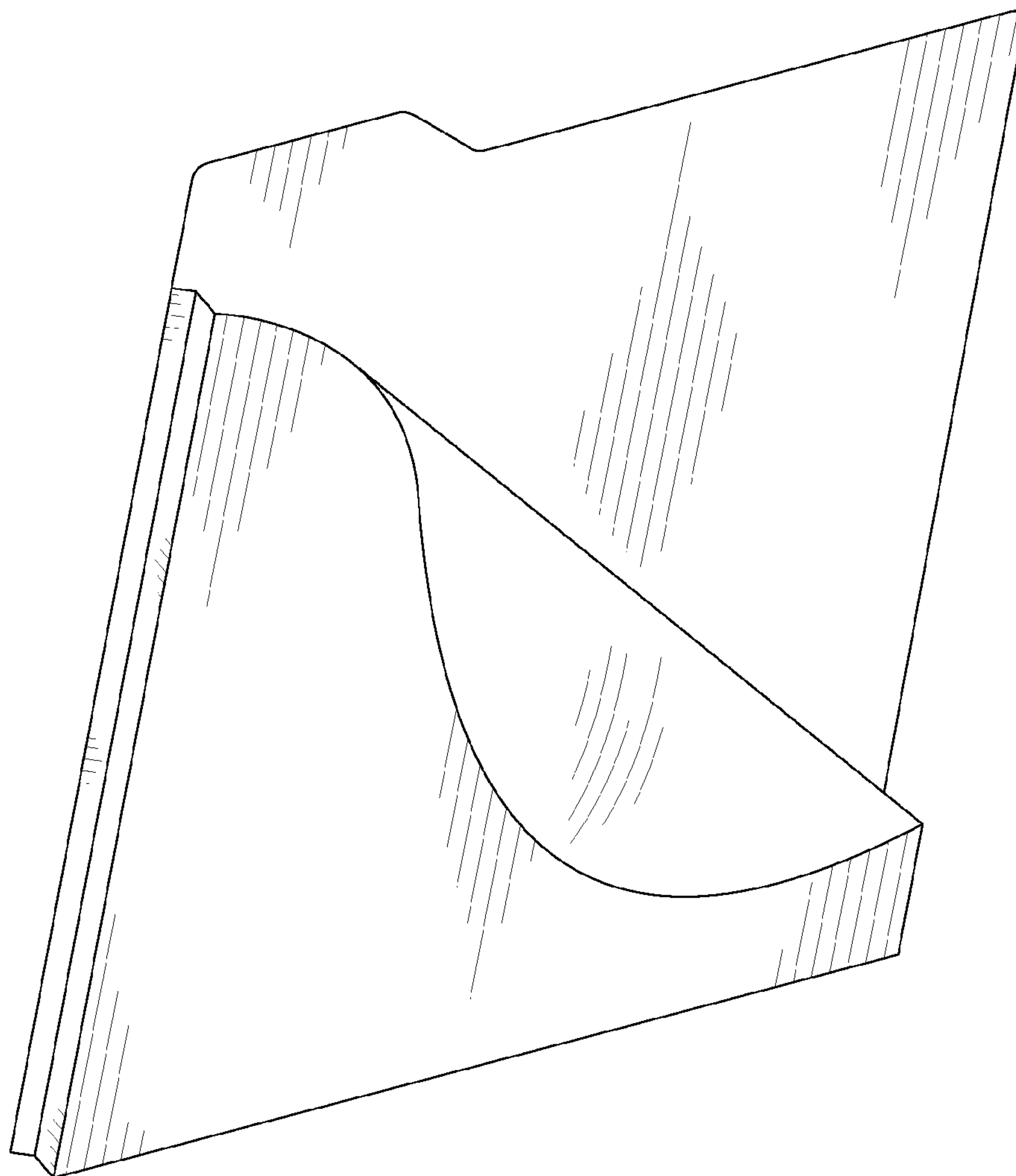


FIG. 8

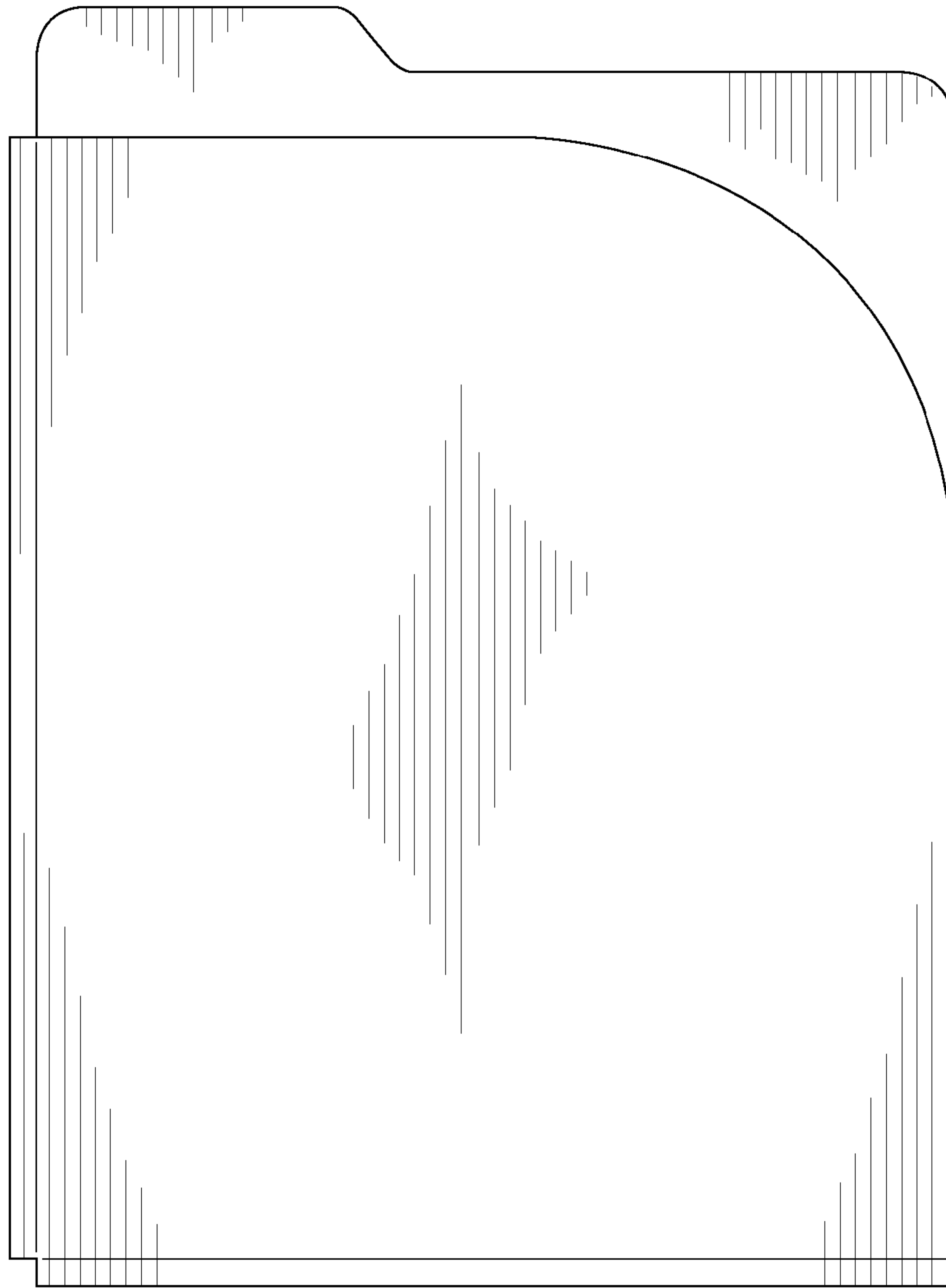


FIG. 9

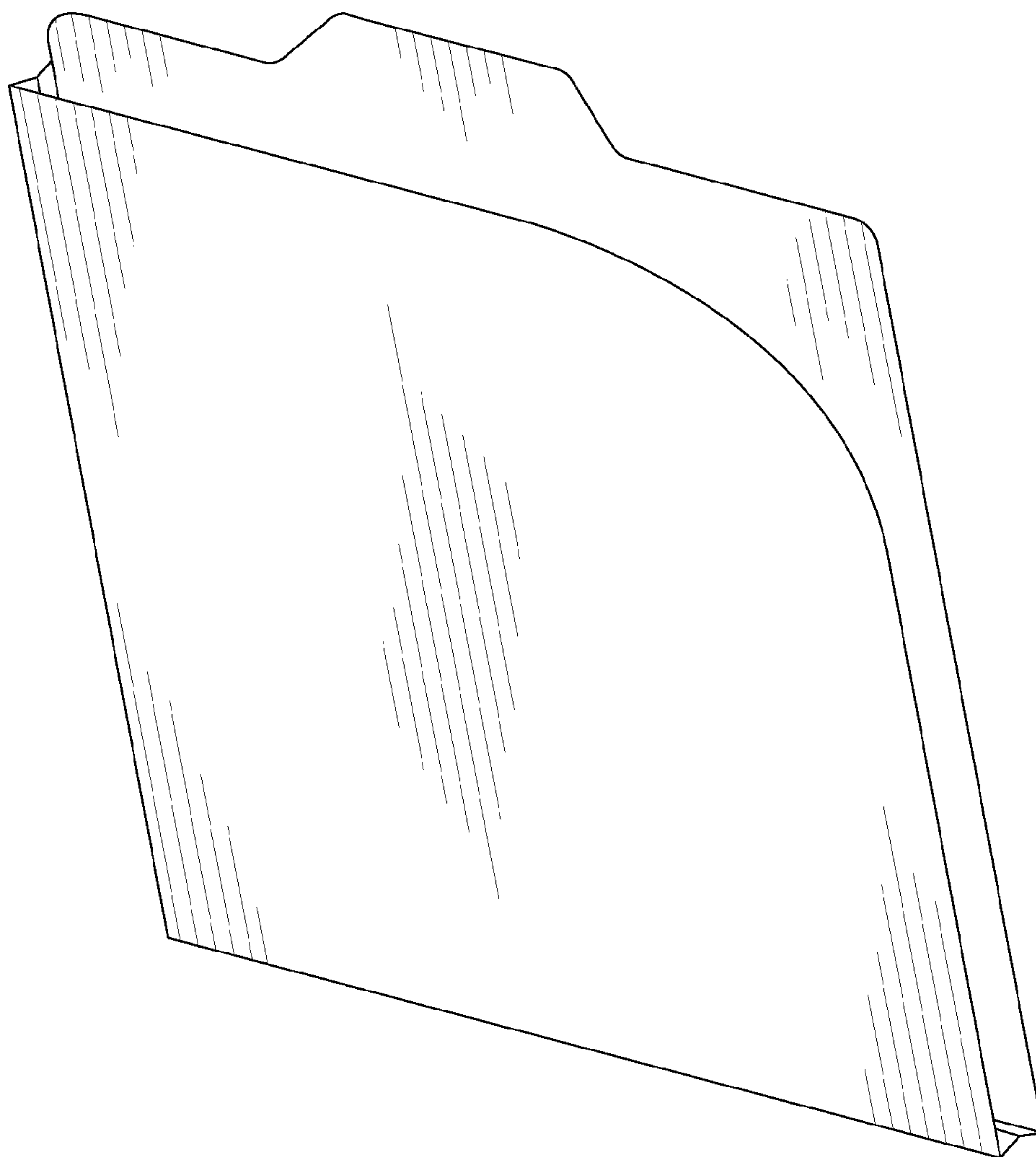


FIG. 10

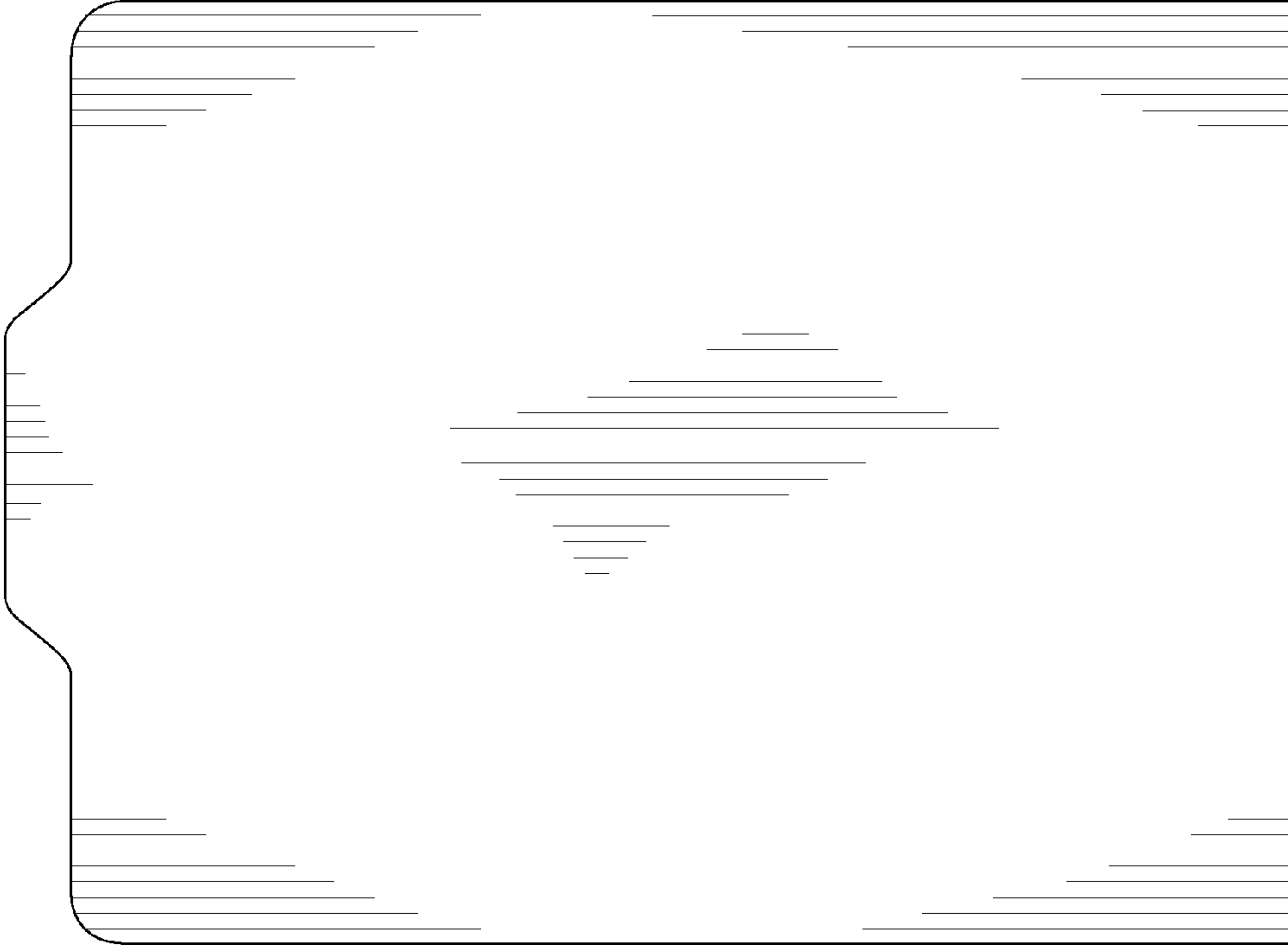


FIG. 12

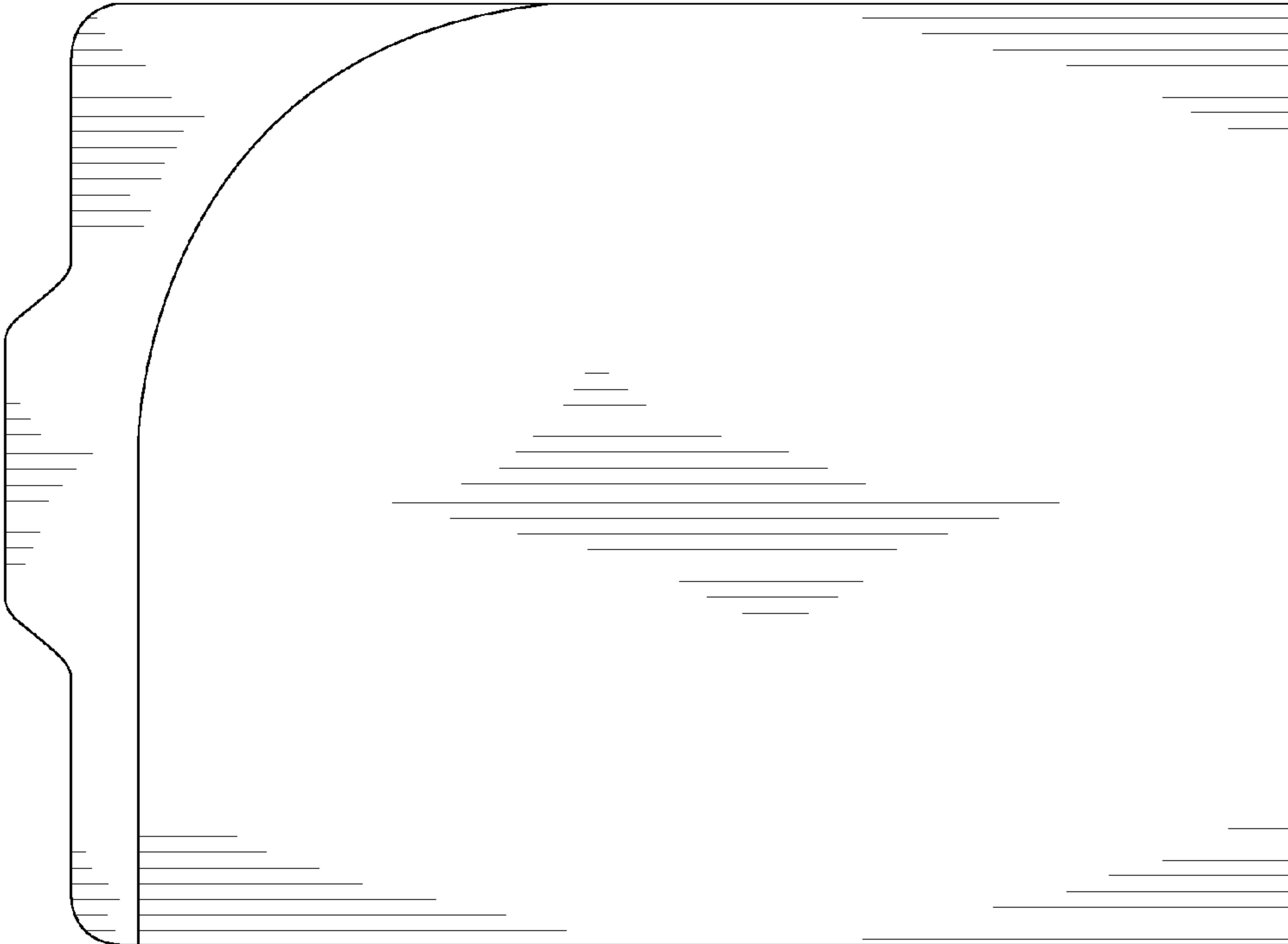


FIG. 11



FIG. 13



FIG. 14



FIG. 15



FIG. 16

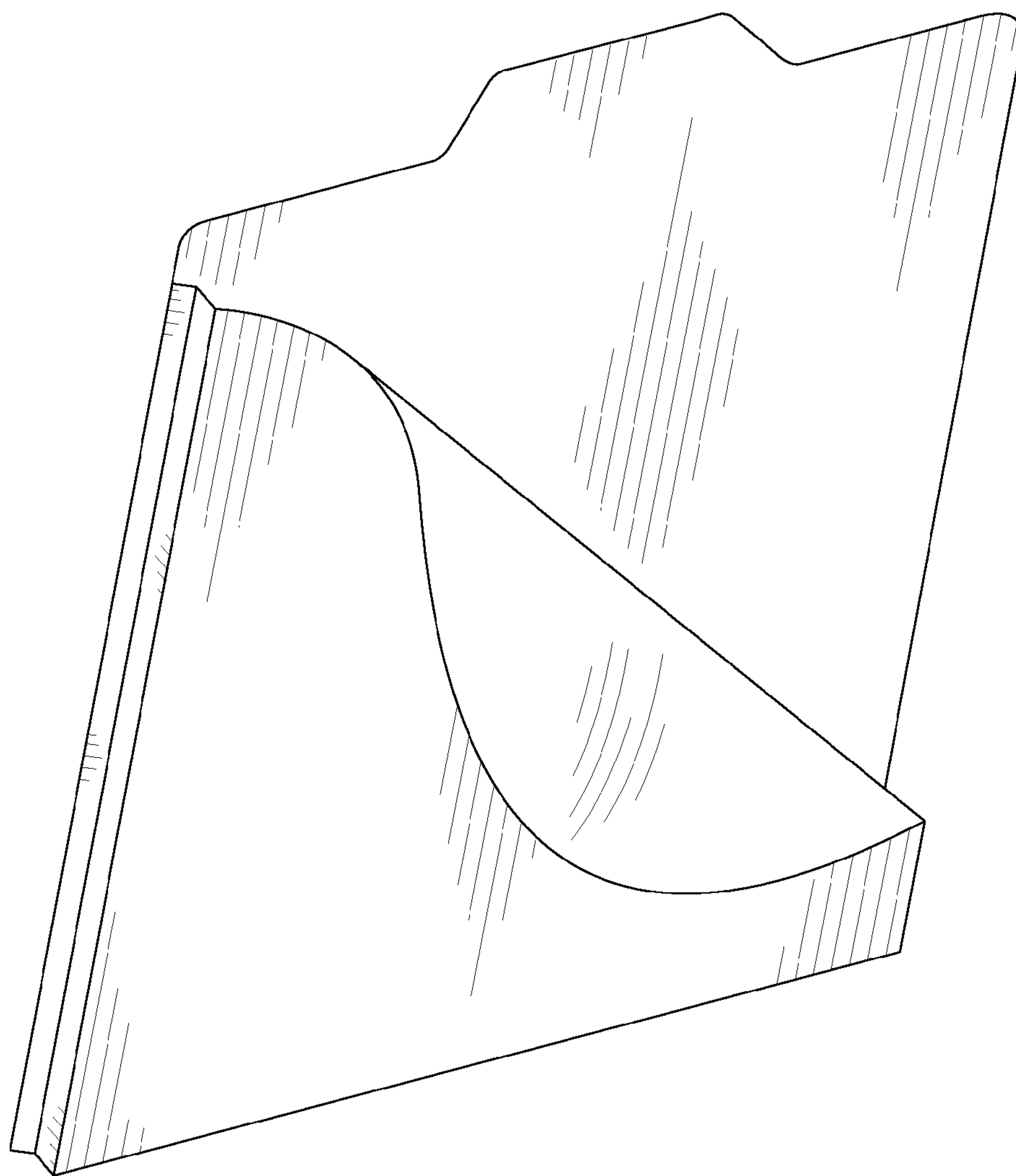


FIG. 17

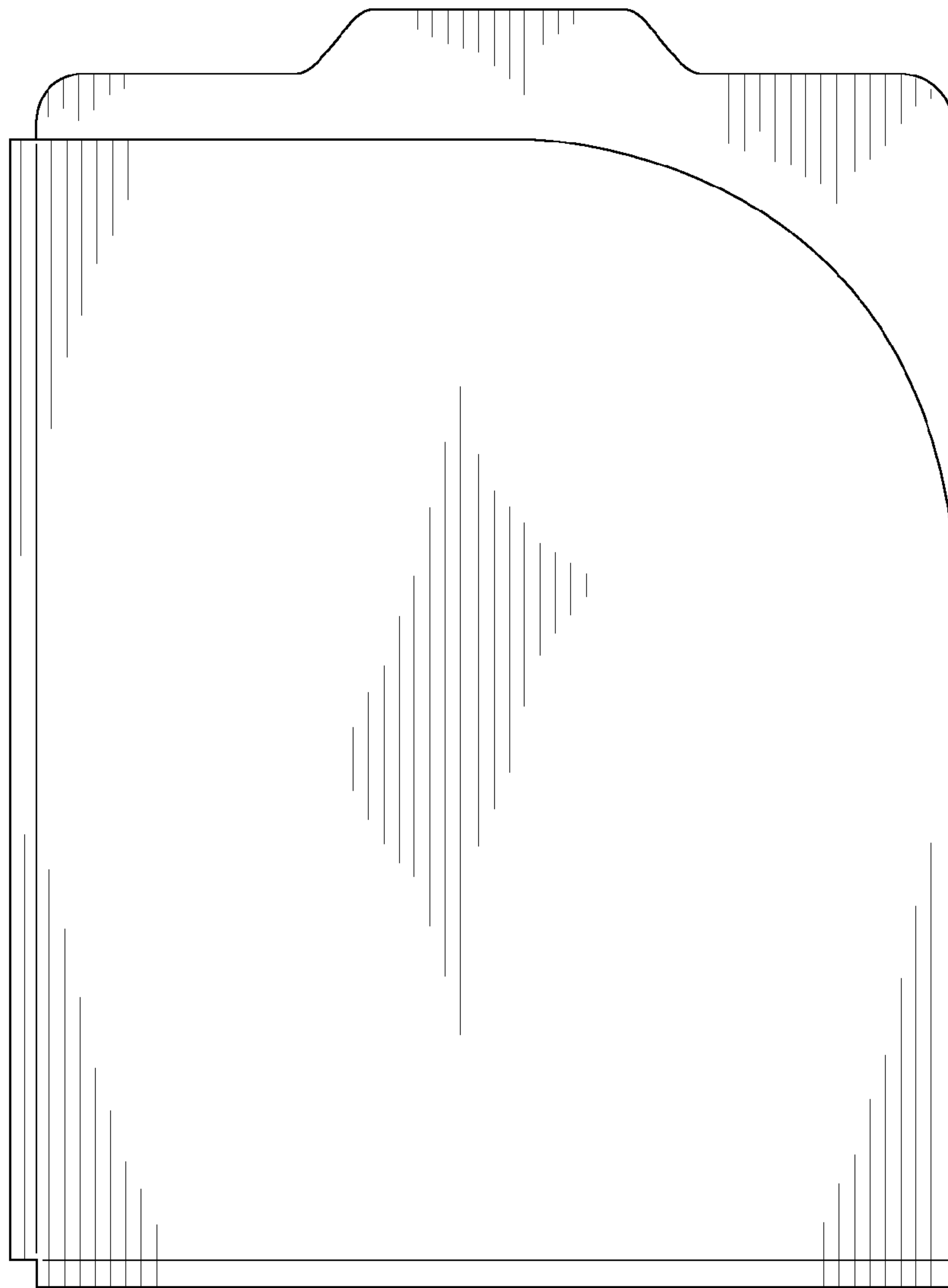


FIG. 18

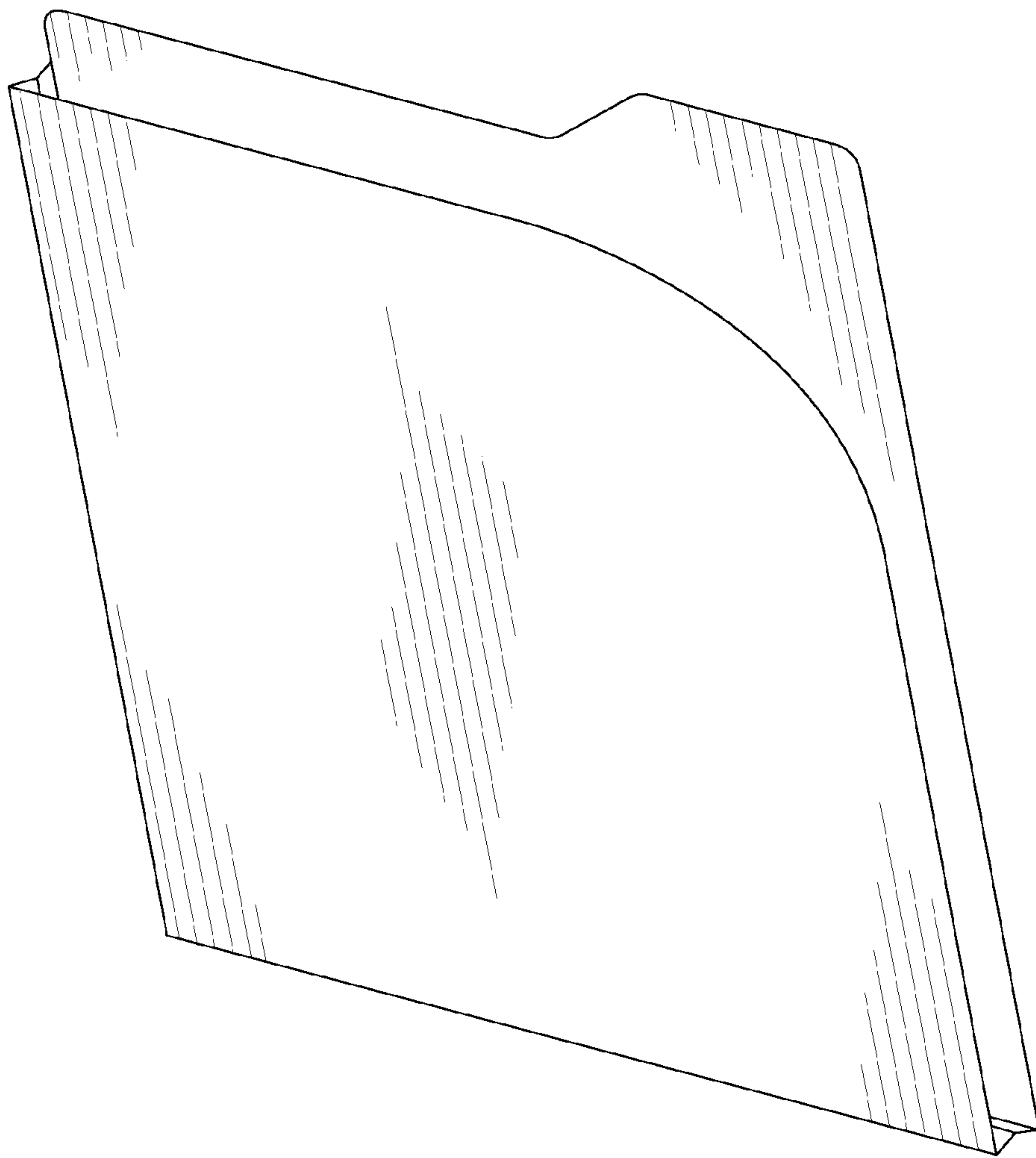


FIG. 19

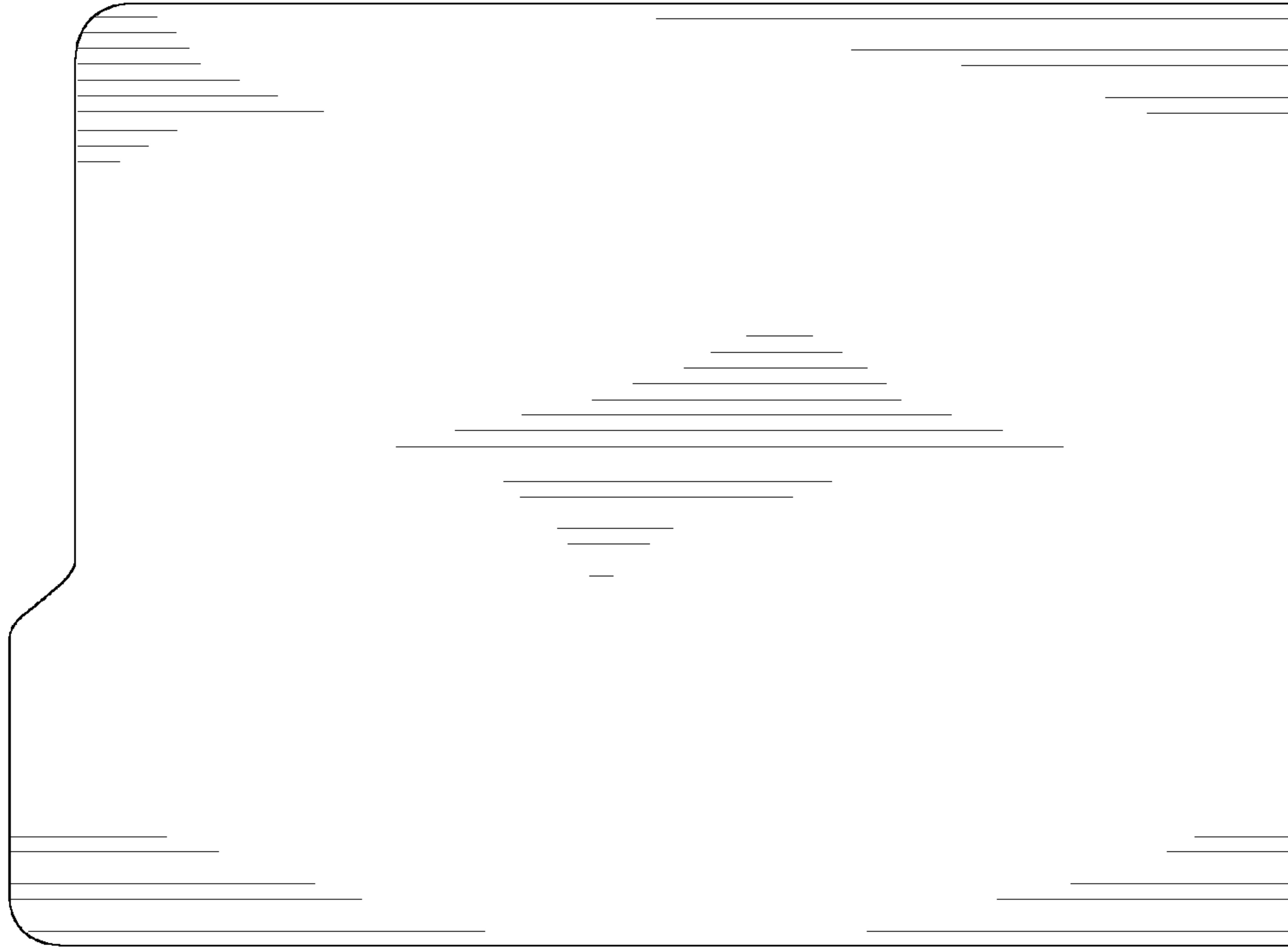


FIG. 21

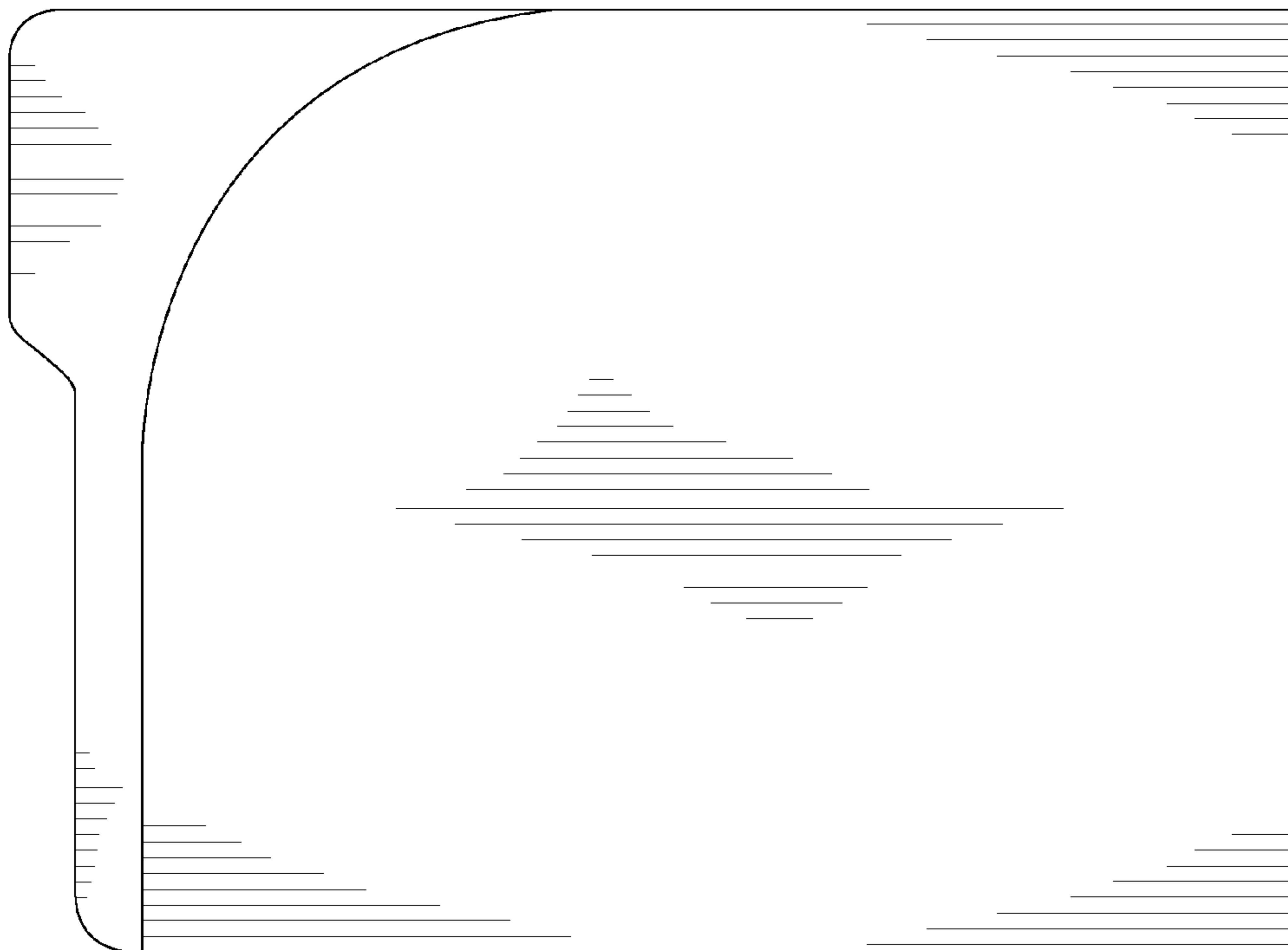


FIG. 20



FIG. 22



FIG. 23



FIG. 24



FIG. 25

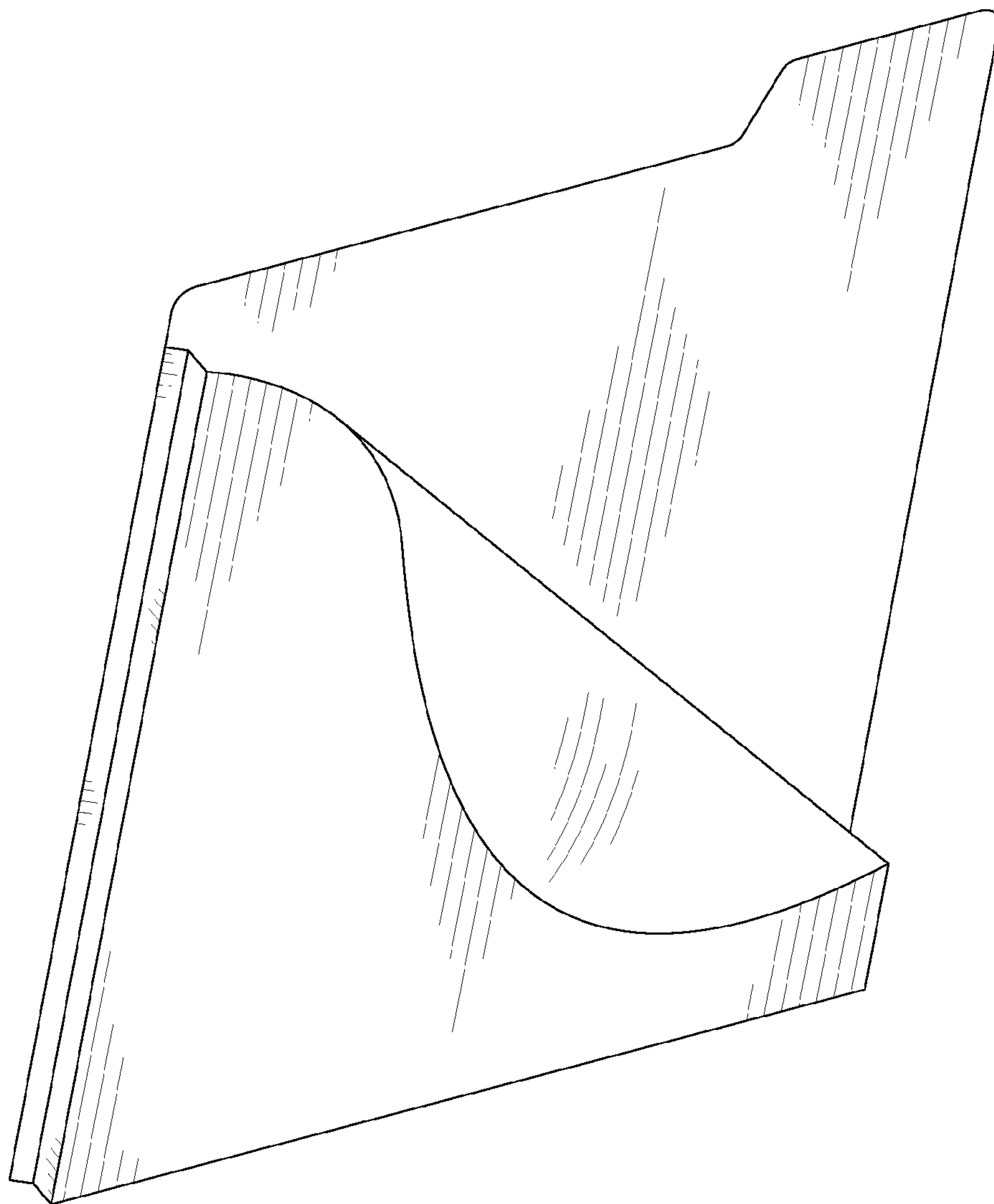


FIG. 26

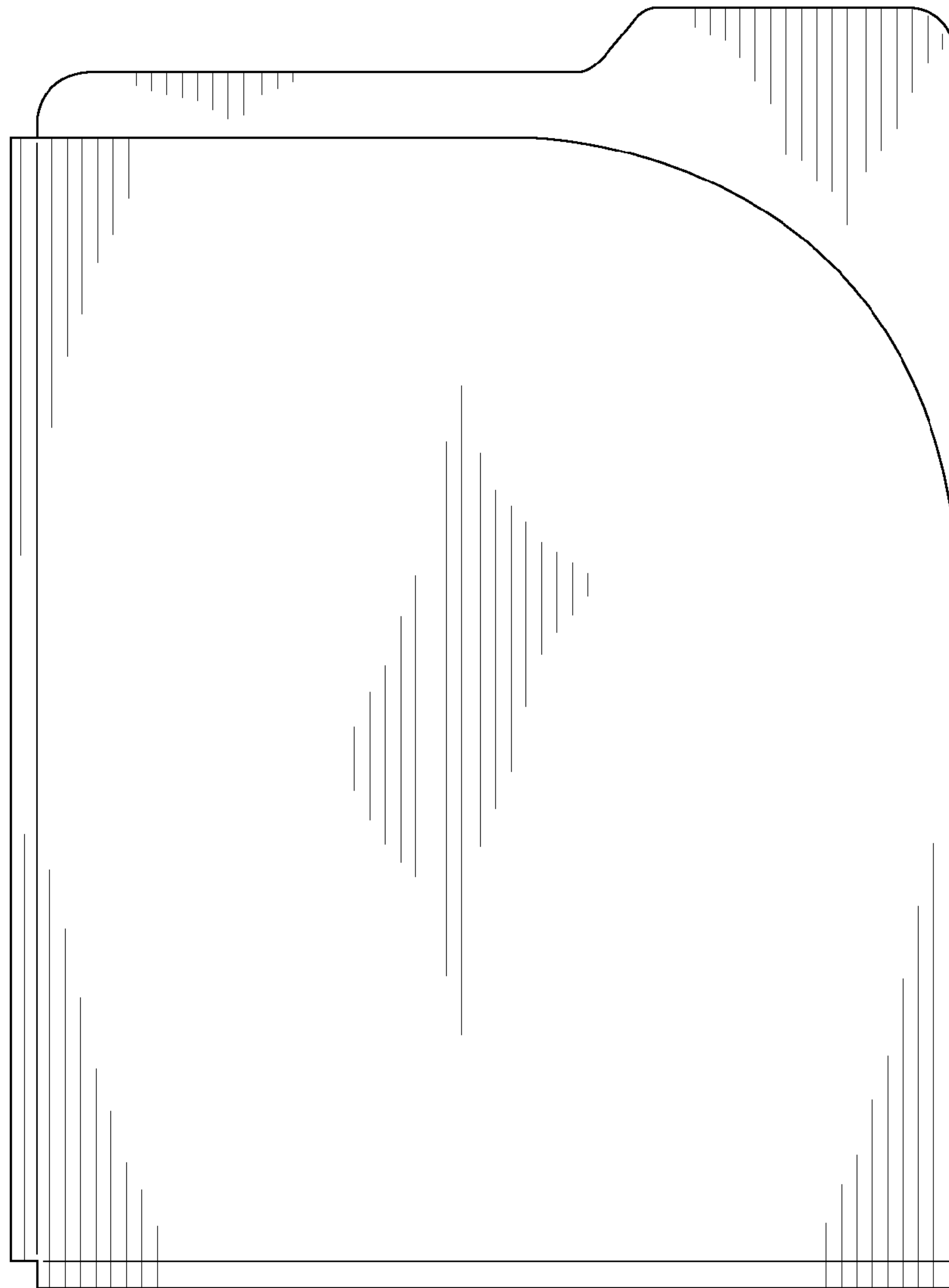


FIG. 27