

US00D691190S

(12) **United States Design Patent**
Unno et al.

(10) **Patent No.:** **US D691,190 S**
(45) **Date of Patent:** **** Oct. 8, 2013**

(54) **CEILING MOUNT FOR PROJECTOR**

(75) Inventors: **Teruhiko Unno**, Shiojiri (JP); **Tetsu Nakayama**, Matsumoto (JP)

(73) Assignee: **Seiko Epson Corporation**, Tokyo (JP)

(**) Term: **14 Years**

(21) Appl. No.: **29/419,260**

(22) Filed: **Apr. 26, 2012**

(30) **Foreign Application Priority Data**

Feb. 24, 2012 (JP) 2012-003866

(51) **LOC (9) Cl.** **16-02**

(52) **U.S. Cl.**
USPC **D16/235**

(58) **Field of Classification Search**

USPC D16/235, 242, 245; D14/224, 238-239;
D8/373, 383; 343/880, 882;
248/514, 518-519, 317, 324-325, 323, 342-343,
248/212.11, 222.12, 126, 274.1, 276.1, 278.1,
248/176.1, 177.1, 523, 527, 674, 917, 924

See application file for complete search history.

(56) **References Cited**

U.S. PATENT DOCUMENTS

6,042,068	A *	3/2000	Tcherny	248/917
7,156,359	B2 *	1/2007	Dittmer et al.	248/917
D570,394	S *	6/2008	Dittmer et al.	D16/235
D625,750	S *	10/2010	Dittmer	D16/235
7,891,624	B2 *	2/2011	Dittmer et al.	248/323
D634,770	S *	3/2011	Dittmer	D16/235
8,138,469	B2 *	3/2012	Dittmer	250/239
2007/0034764	A1 *	2/2007	Dittmer et al.	248/324

* cited by examiner

Primary Examiner — Wan Laymon

(74) *Attorney, Agent, or Firm* — Oliff & Berridge, PLC

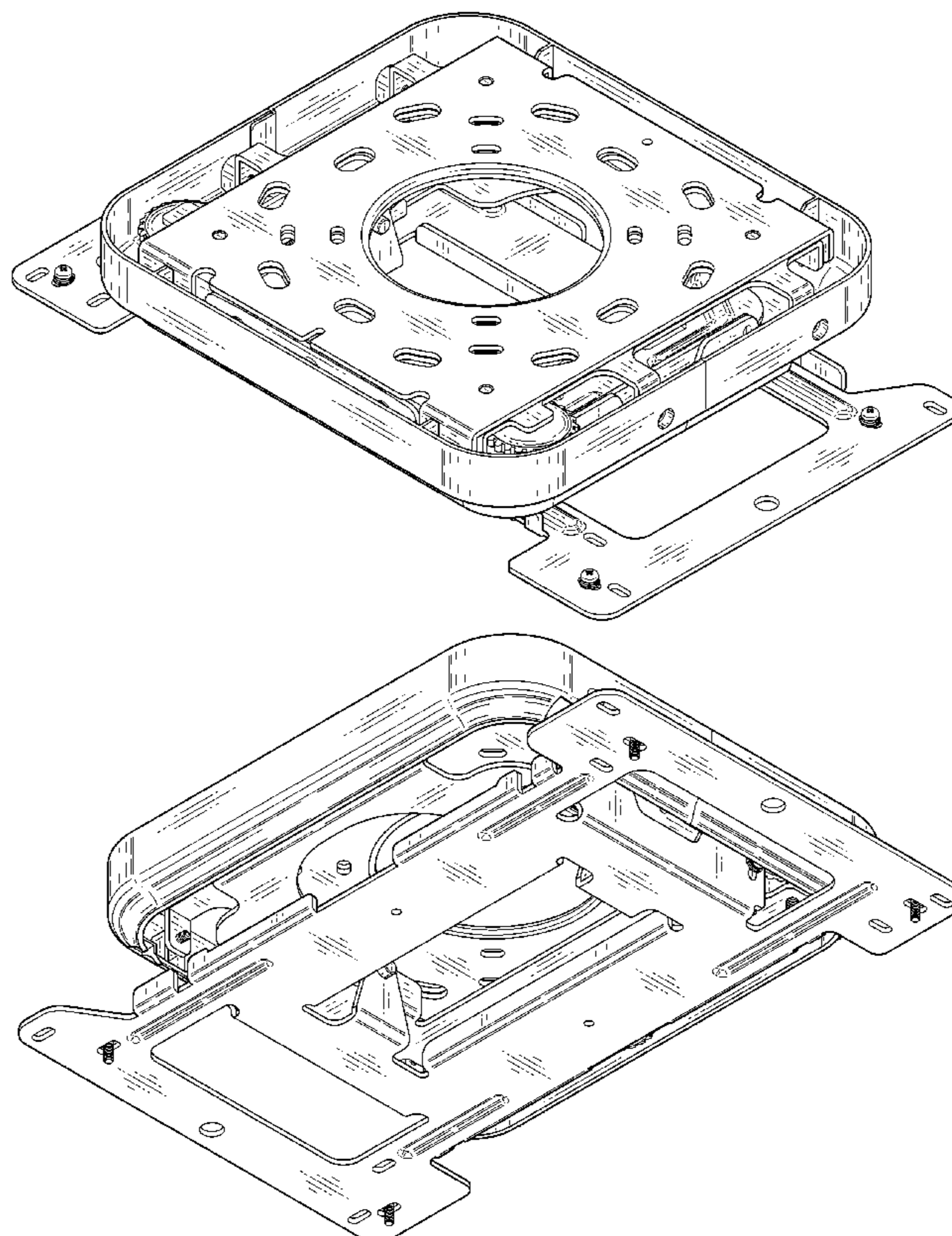
(57) **CLAIM**

The ornamental design for a ceiling mount for projector, as shown and described.

DESCRIPTION

FIG. 1 is a top, front, right-side perspective view of a ceiling mount for projector;
FIG. 2 is a bottom, rear, left-side perspective view thereof;
FIG. 3 is top view thereof;
FIG. 4 is a bottom view thereof;
FIG. 5 is a front view thereof;
FIG. 6 is a rear view thereof;
FIG. 7 is a left-side view thereof; and,
FIG. 8 is a right-side view thereof.
Portions of the ceiling mount for projector shown in broken lines form no part of the claimed design.

1 Claim, 6 Drawing Sheets



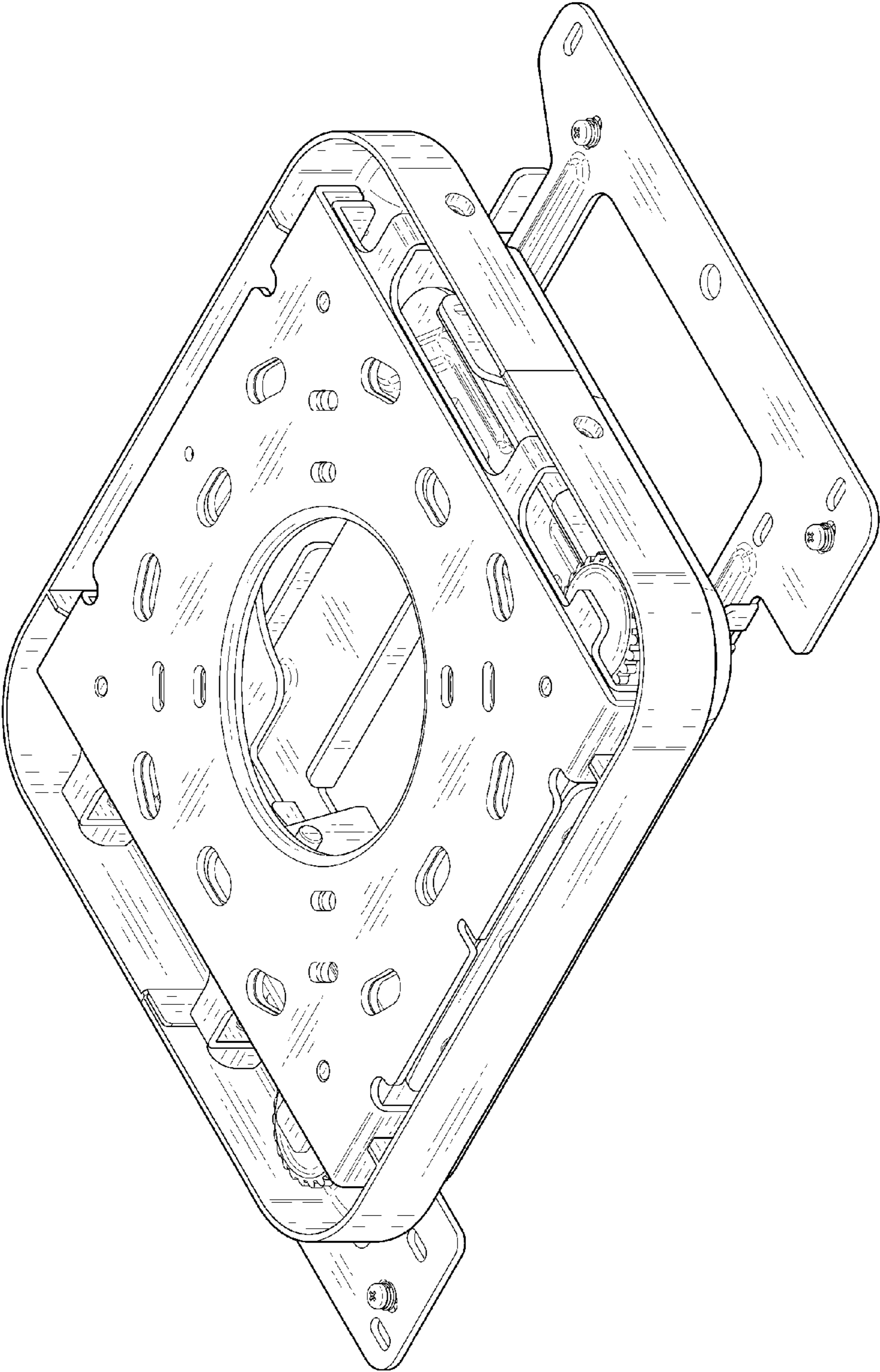


FIG. 1

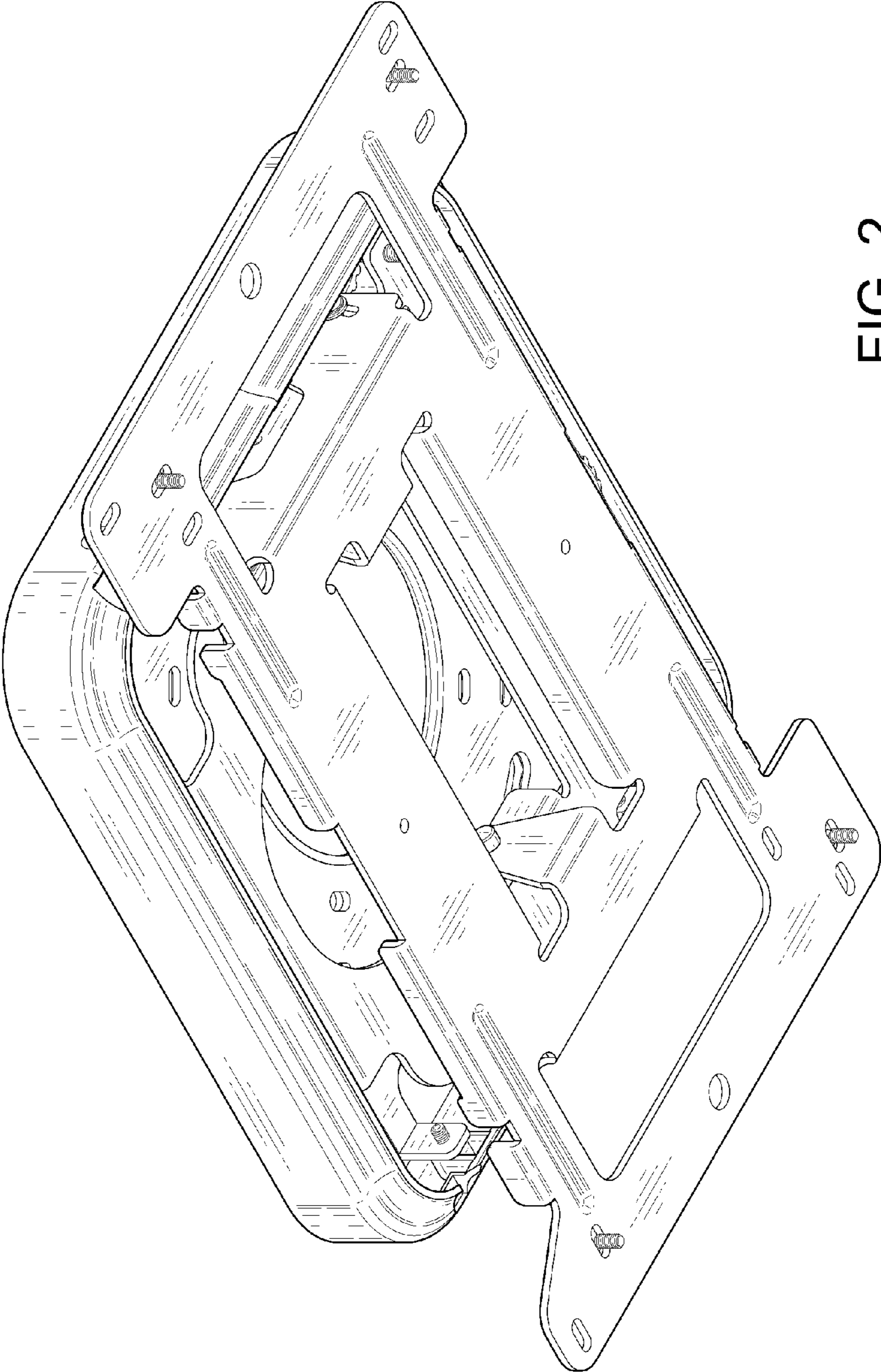


FIG. 2

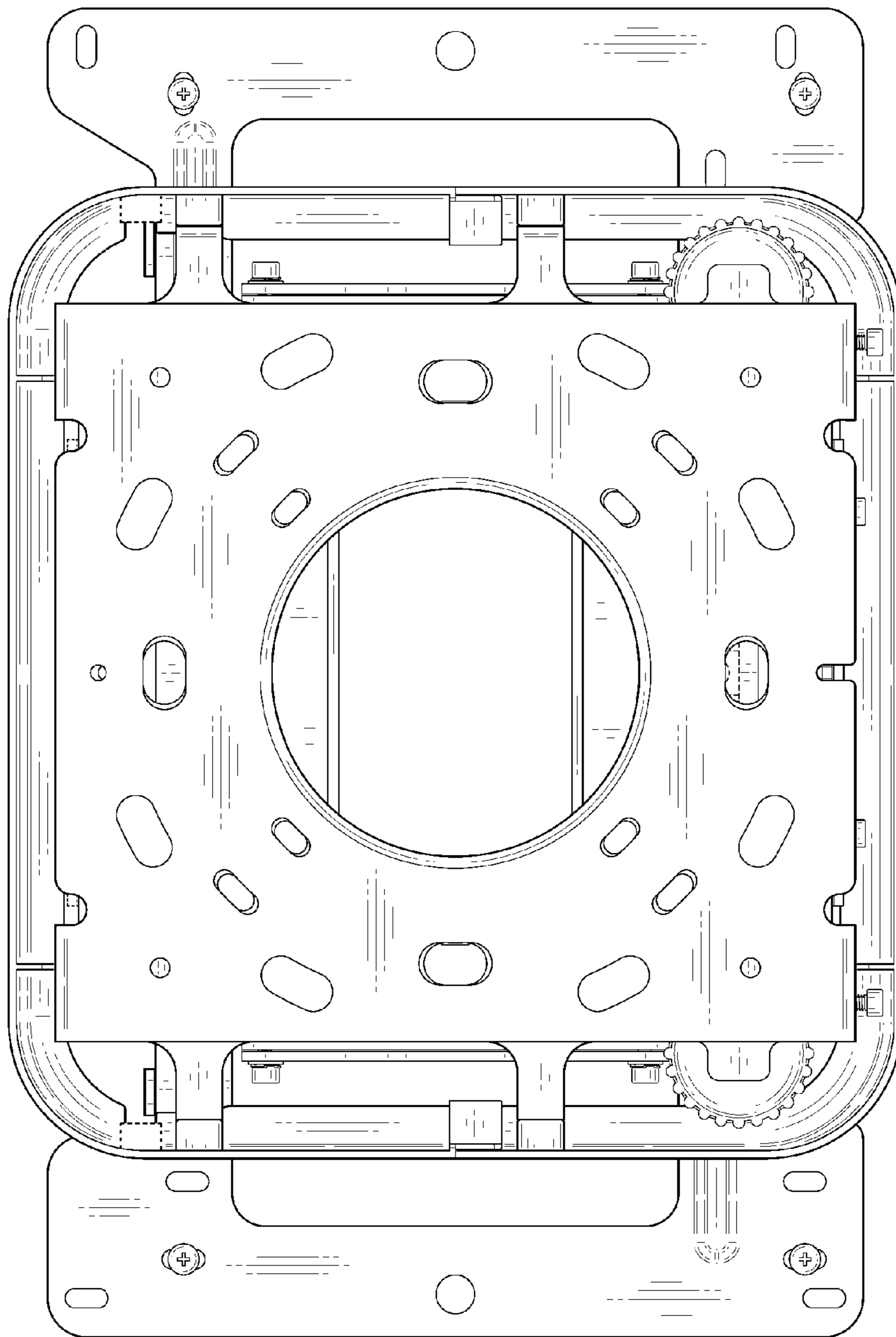


FIG. 3

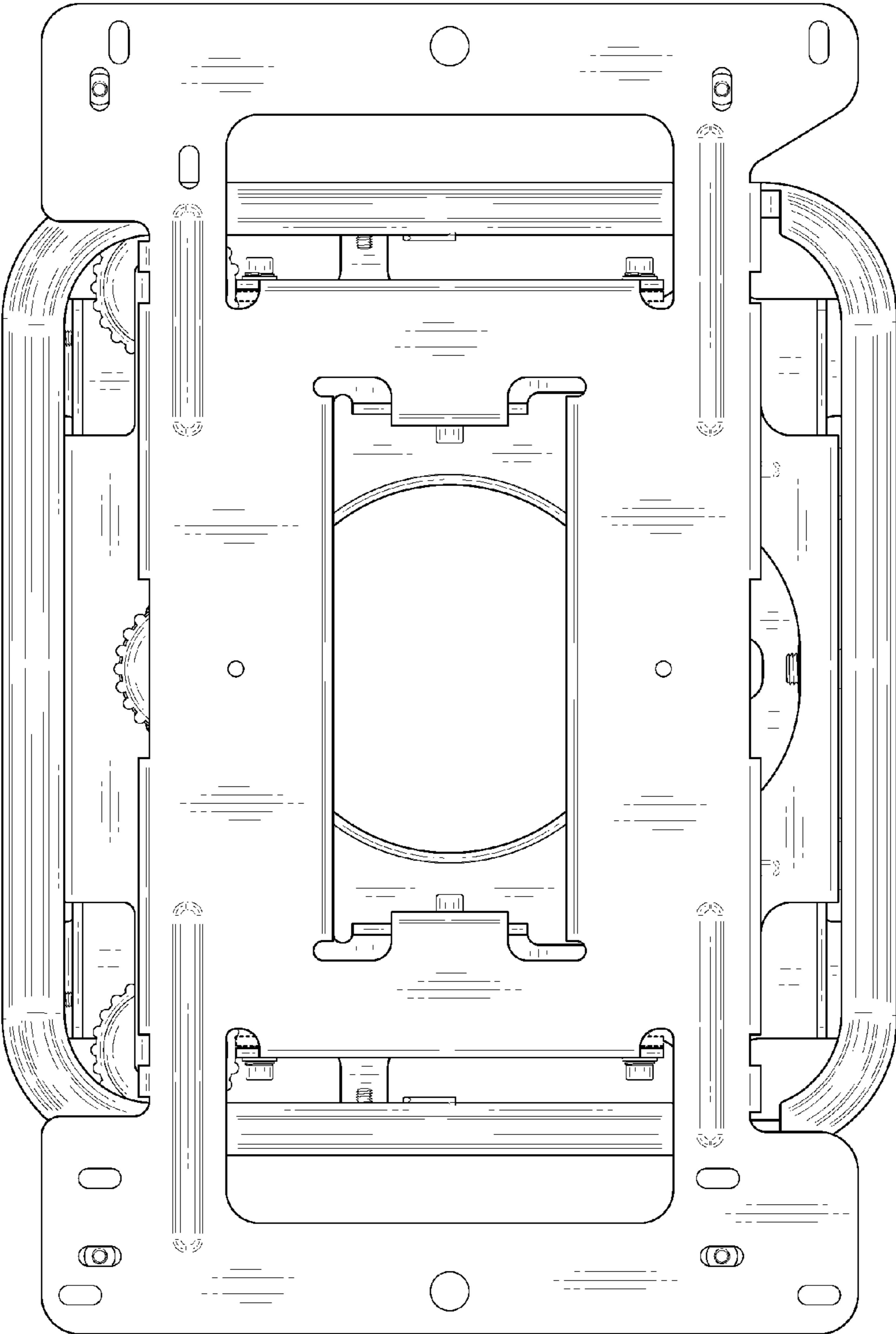


FIG. 4

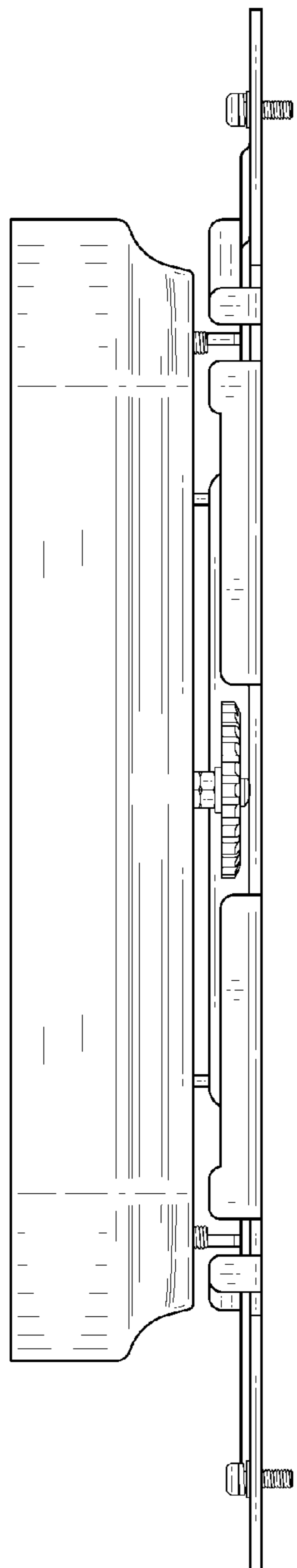


FIG. 5

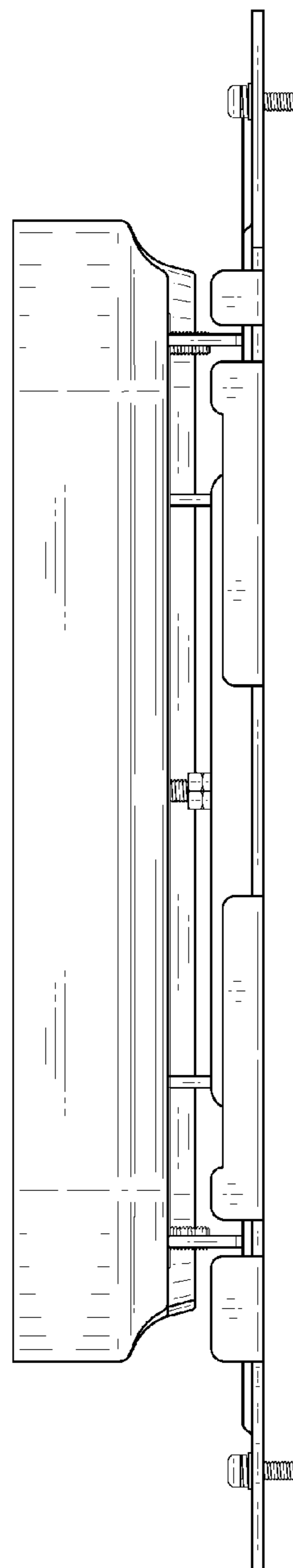


FIG. 6

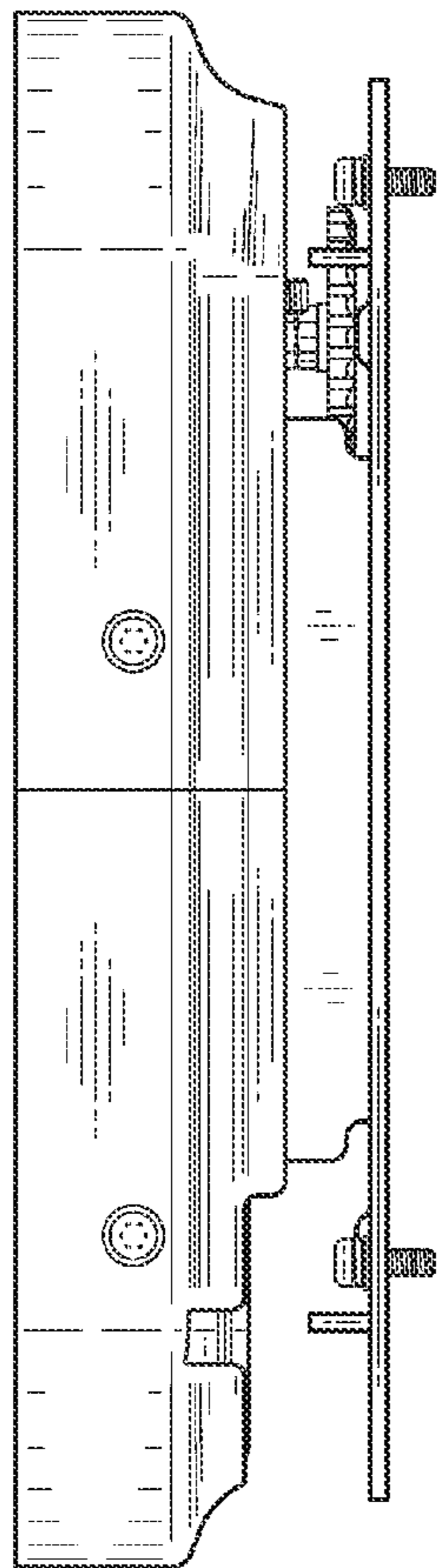


FIG. 7

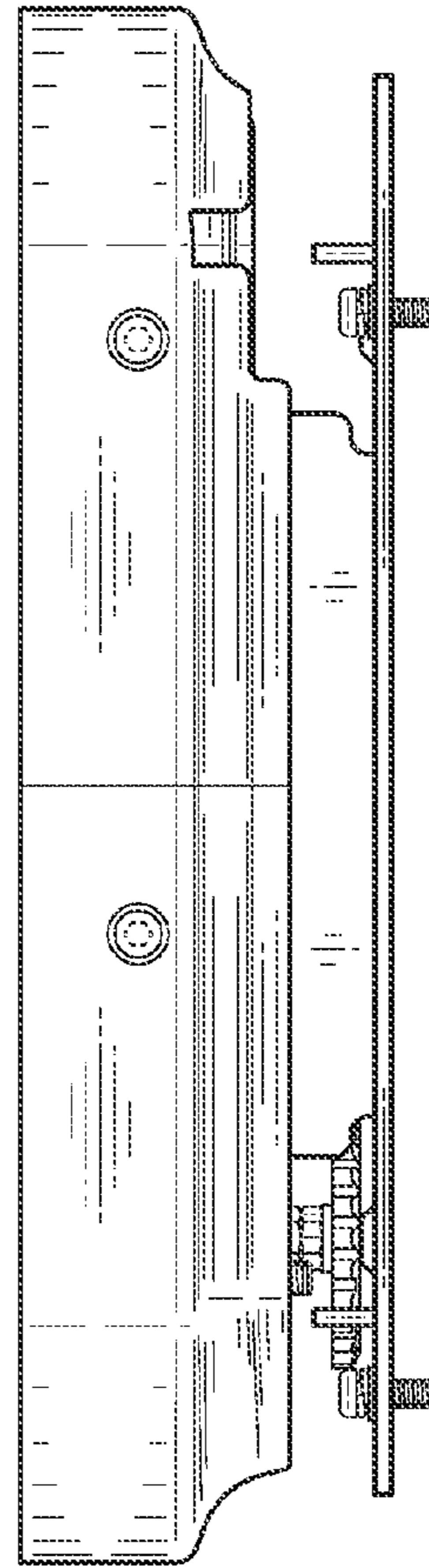


FIG. 8