

US00D691186S

(12) **United States Design Patent**
Song et al.

(10) **Patent No.:** **US D691,186 S**
(45) **Date of Patent:** **** Oct. 8, 2013**

(54) **CAMERA**

(75) Inventors: **Xiaofeng Song**, Beijing (CN); **Yoshinori Yamada**, Tokyo (JP); **Daisuke Ishii**, Tokyo (JP)

(73) Assignee: **Sony Corporation**, Tokyo (JP)

(**) Term: **14 Years**

(21) Appl. No.: **29/371,640**

(22) Filed: **Jun. 20, 2011**

Related U.S. Application Data

(63) Continuation-in-part of application No. 29/371,178, filed on Nov. 15, 2010, now abandoned.

(30) **Foreign Application Priority Data**

Jun. 8, 2010	(JP)	D2010-014130
Jun. 8, 2010	(JP)	D2010-014131
Jun. 8, 2010	(JP)	D2010-014132
Jun. 8, 2010	(JP)	D2010-014133
Jun. 8, 2010	(JP)	D2010-014134
Jun. 9, 2010	(JP)	D2010-014160
Jun. 9, 2010	(JP)	D2010-014161
Dec. 20, 2010	(JP)	D2010-030433
Dec. 20, 2010	(JP)	D2010-030434
Dec. 20, 2010	(JP)	D2010-030435
Dec. 20, 2010	(JP)	D2010-030436
Dec. 20, 2010	(JP)	D2010-030437
Dec. 20, 2010	(JP)	D2010-030438
Dec. 28, 2010	(JP)	D2010-031348

(51) **LOC (9) Cl.** **16-01**

(52) **U.S. Cl.**
USPC **D16/200**

(58) **Field of Classification Search**
USPC D16/200, 202, 204, 208, 212, 218, 219;
348/373, 374, 375, 376; 358/909.1;
396/349, 448, 535, 536, 537, 538, 539,
396/540, 541

See application file for complete search history.

(56) **References Cited**

U.S. PATENT DOCUMENTS

D496,678 S 9/2004 Kawase
D508,711 S * 8/2005 Suzuki D16/218

(Continued)

FOREIGN PATENT DOCUMENTS

JP D1184953 S 9/2003
JP D1214003 S 8/2004

(Continued)

OTHER PUBLICATIONS

Office Action of Japanese Design Application No. D2010-031348, 3 pgs., mailed on Jul. 11, 2011, (Japan) containing Japan Patent Office Prior Art No. HJ20040039, "Sea & Sea," Sea and Sea Sunpack Co., Ltd., <http://www.seaandsea.co.jp/press/1223343674.html>, (Nov. 2008), which was deposited as Patent Office on Nov. 21, 2008.

Primary Examiner — Cynthia Underwood

(74) *Attorney, Agent, or Firm* — Rader, Fishman & Grauer PLLC

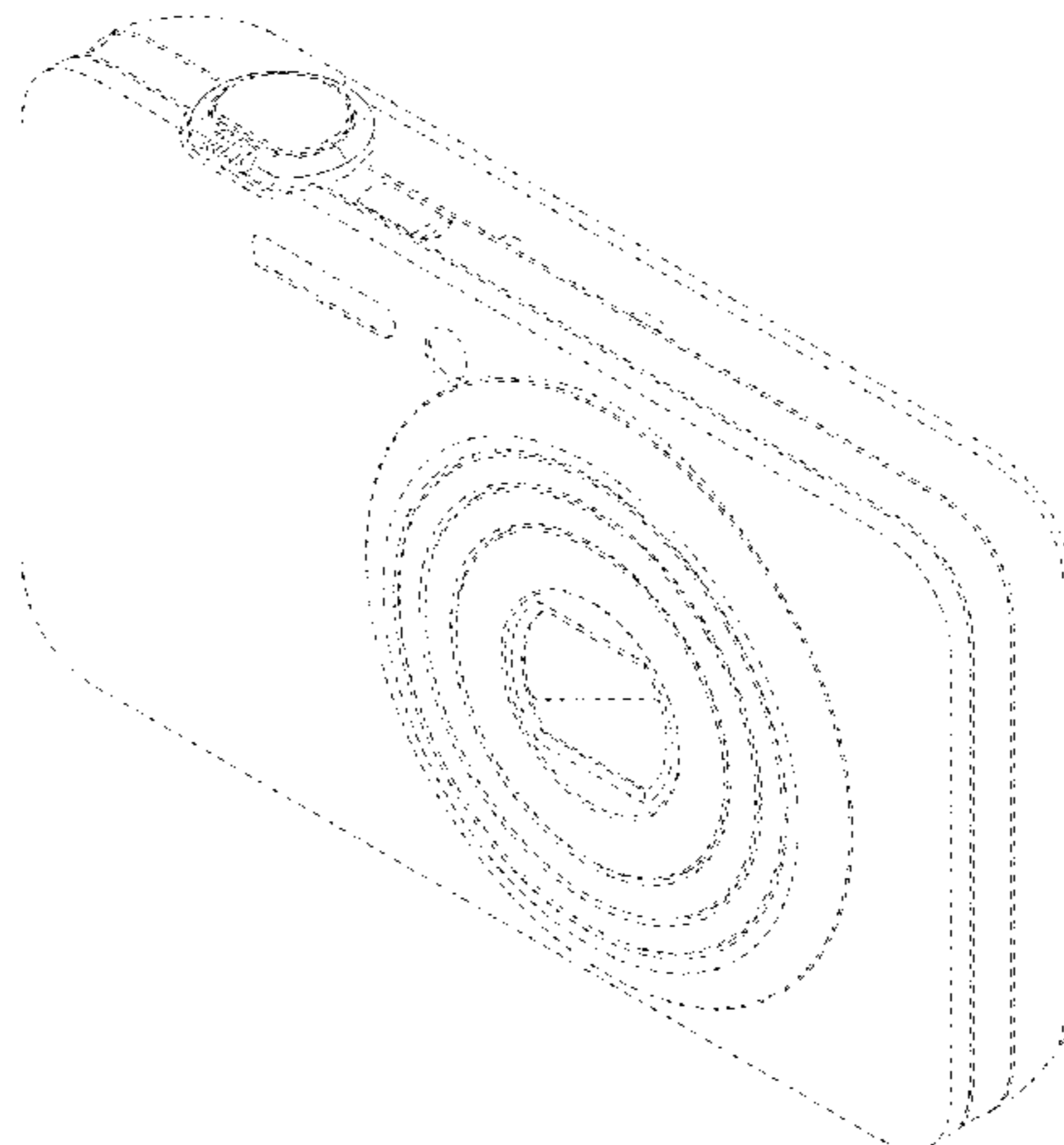
(57) **CLAIM**

The ornamental design for a camera, as shown and described.

DESCRIPTION

FIG. 1 is a front, top, right perspective view of a first embodiment of a camera showing our new design; FIG. 2 is a rear, top, left perspective view thereof; FIG. 3 is a front elevational view thereof; FIG. 4 is a rear elevational view thereof; FIG. 5 is a left side elevational view thereof; FIG. 6 is a right side elevational view thereof; and FIG. 7 is a top plan view thereof. FIG. 8 is a front, top, right perspective view of a second embodiment of a camera showing our new design; FIG. 9 is a rear, top, left perspective view thereof; FIG. 10 is a front elevational view thereof; FIG. 11 is a rear elevational view thereof; FIG. 12 is a left side elevational view thereof; FIG. 13 is a right side elevational view thereof; and FIG. 14 is a top plan view thereof. Portions in broken lines are for illustrative purpose only and form no part of the claimed design.

1 Claim, 12 Drawing Sheets



(56)

References Cited

U.S. PATENT DOCUMENTS

D519,539 S 4/2006 Takagi
D521,038 S * 5/2006 Takagi D16/200
D527,403 S * 8/2006 Byun et al. D16/202
D528,579 S 9/2006 Yasutomi
D536,720 S 2/2007 Miyashita
D536,721 S 2/2007 Miyashita
D542,322 S 5/2007 Miyashita
D542,324 S 5/2007 Takagi
D546,859 S 7/2007 Ishii
D547,781 S * 7/2007 Martres et al. D16/202
D550,743 S * 9/2007 Bai D16/218
D552,646 S * 10/2007 Bai D16/202
D552,647 S * 10/2007 Bai D16/202
D559,294 S 1/2008 Hibi

D562,871 S 2/2008 Ishii
D566,153 S 4/2008 Katsuraku
D574,029 S 7/2008 Yamagishi
D589,073 S * 3/2009 Hibi D16/218
7,507,041 B2 * 3/2009 Ueda et al. 396/423
D597,118 S 7/2009 Hibi
D600,734 S 9/2009 Yamagishi
D608,812 S * 1/2010 Tainaka D16/212
D640,301 S * 6/2011 Nohara D16/202

FOREIGN PATENT DOCUMENTS

JP D1297367 S 4/2007
JP D1302854 S 6/2007
JP D1401103 S 11/2010

* cited by examiner

FIG.1

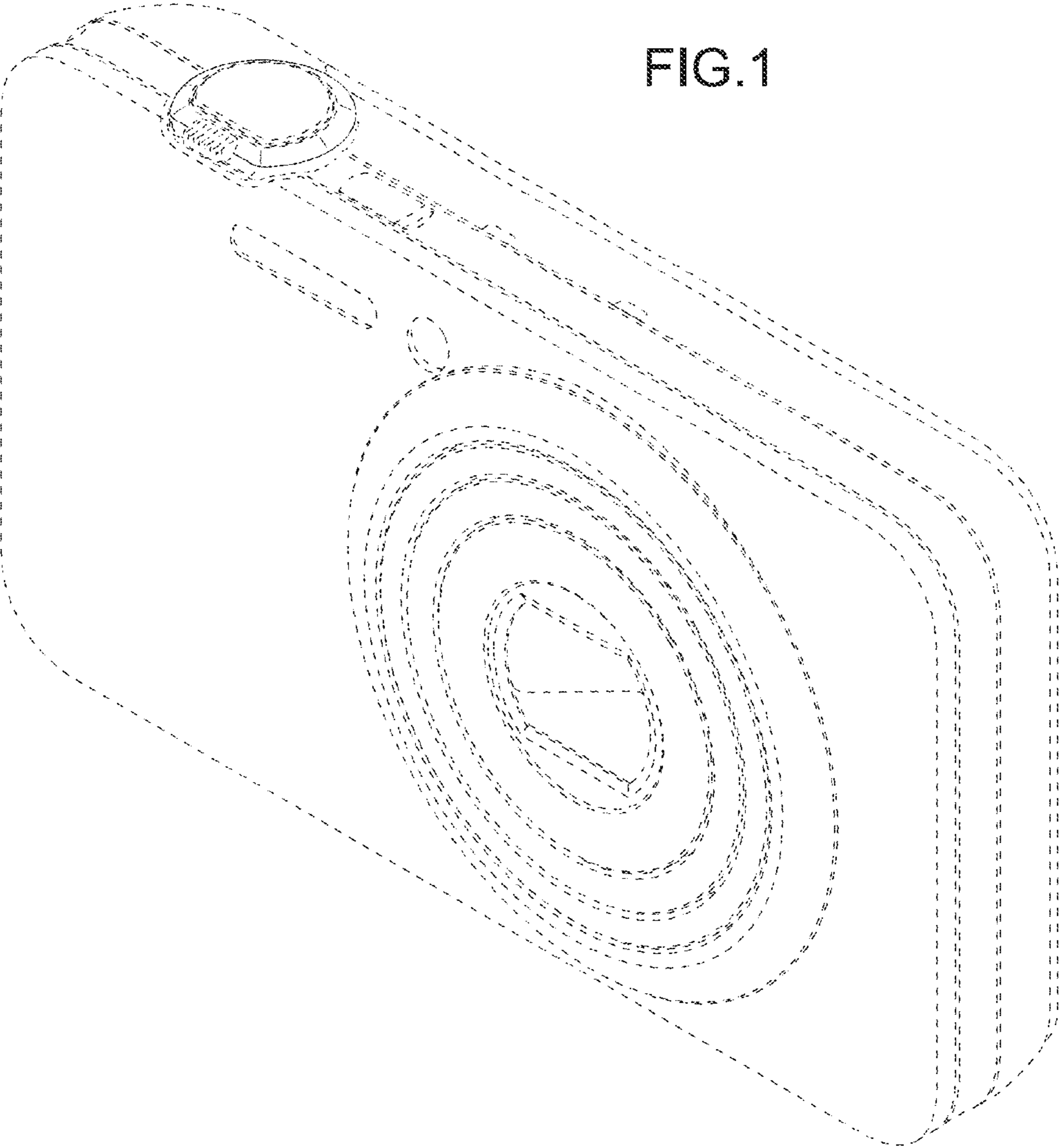


FIG.2

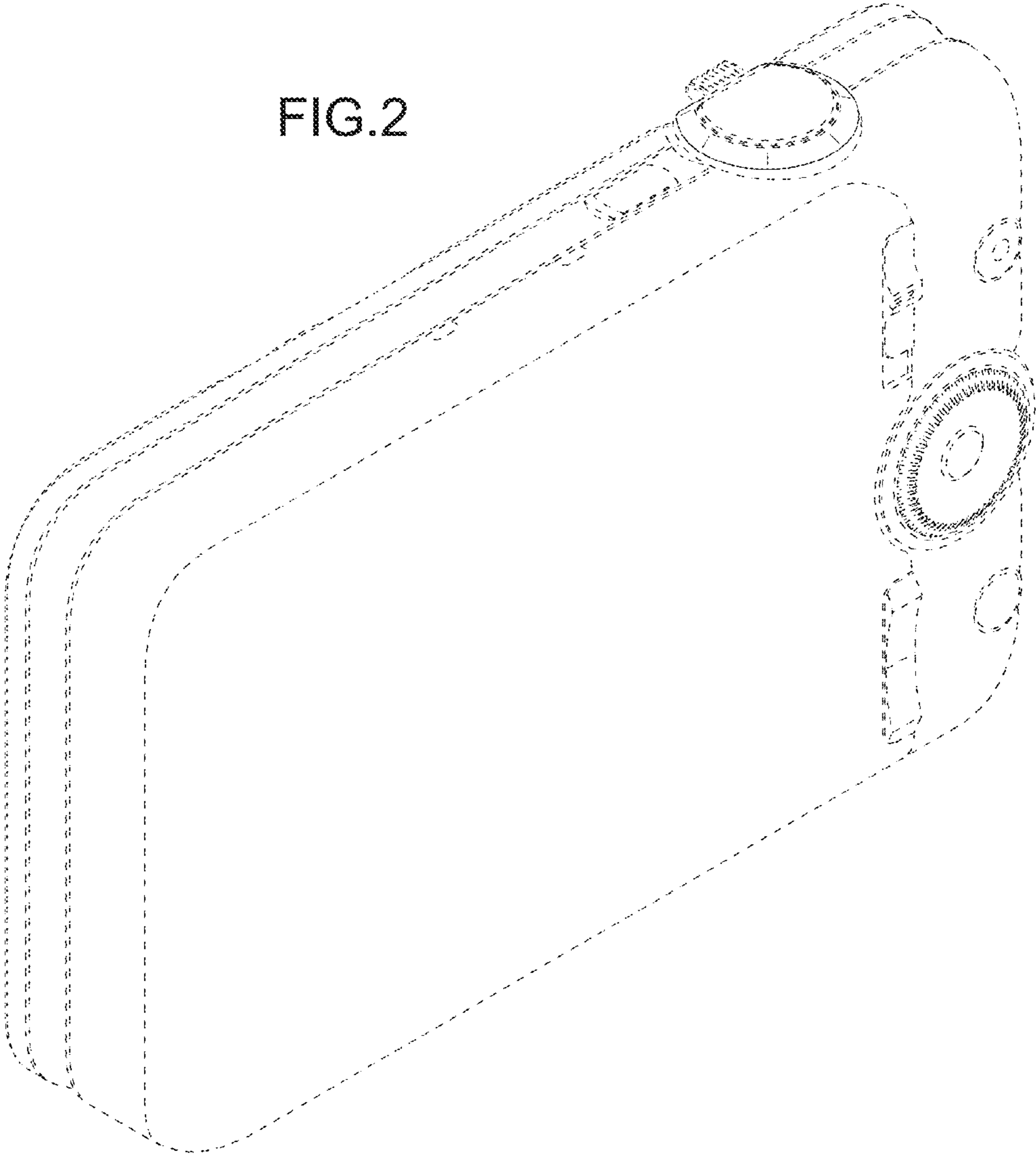


FIG. 3

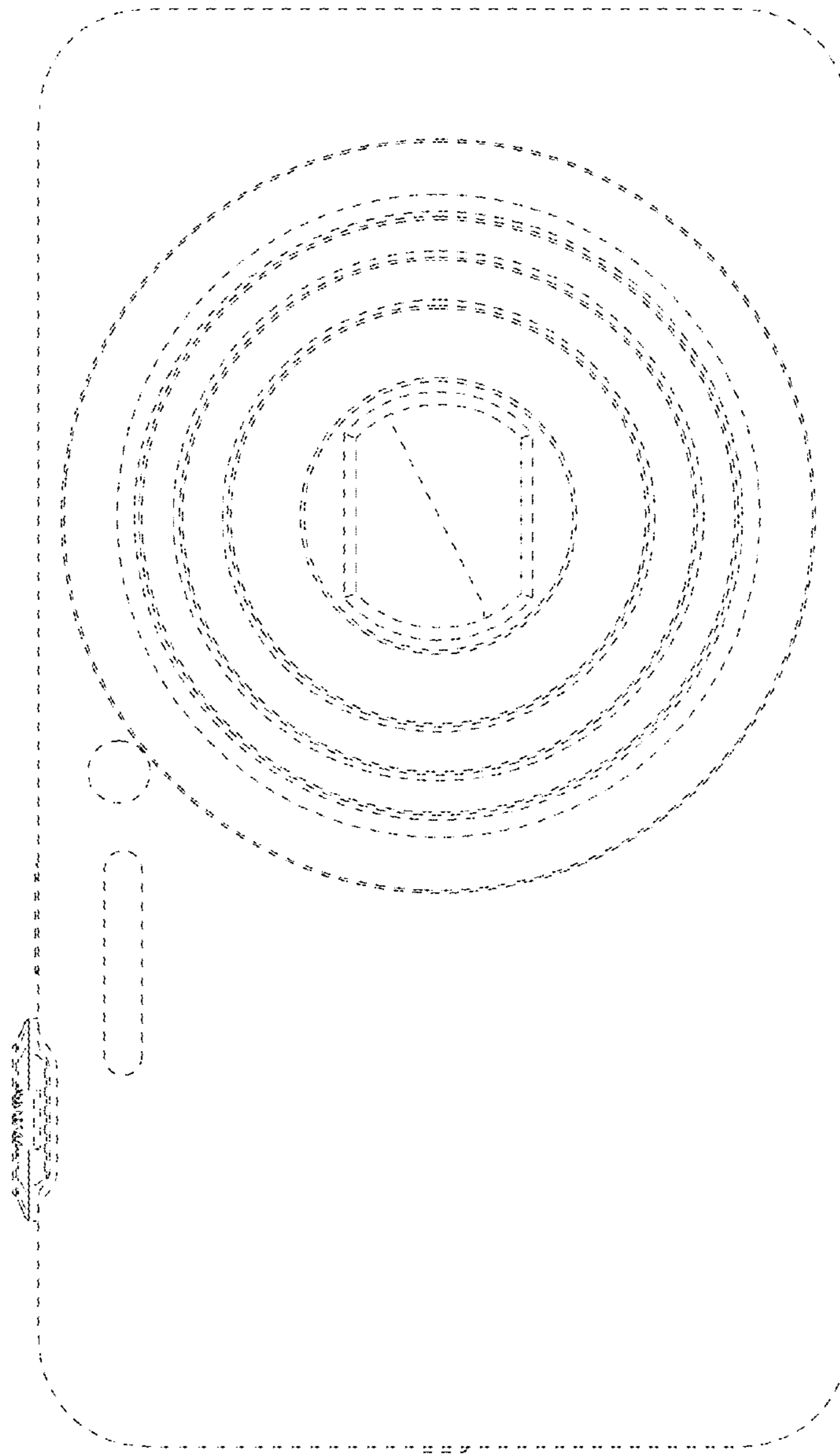


FIG.4

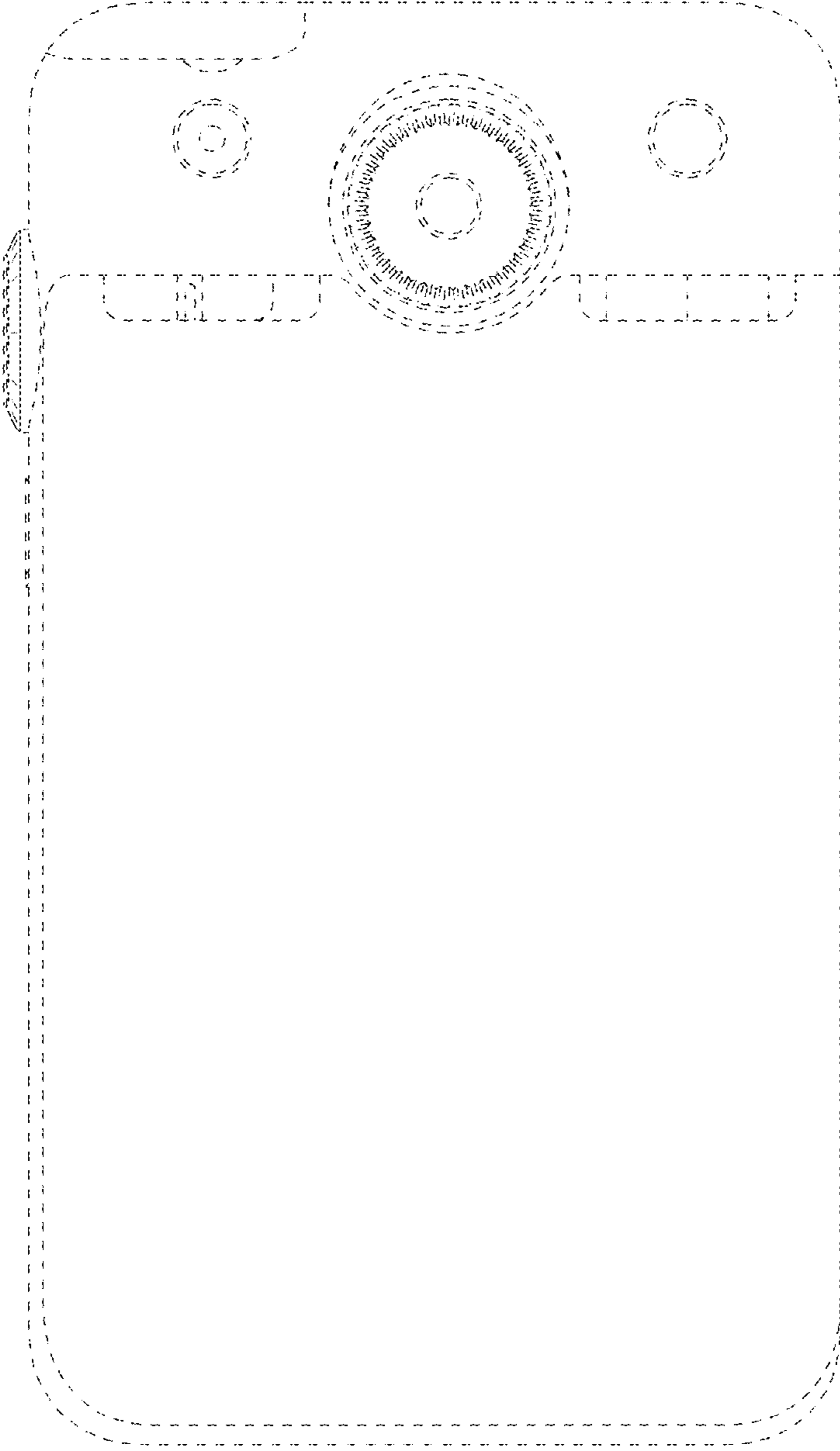


FIG.6

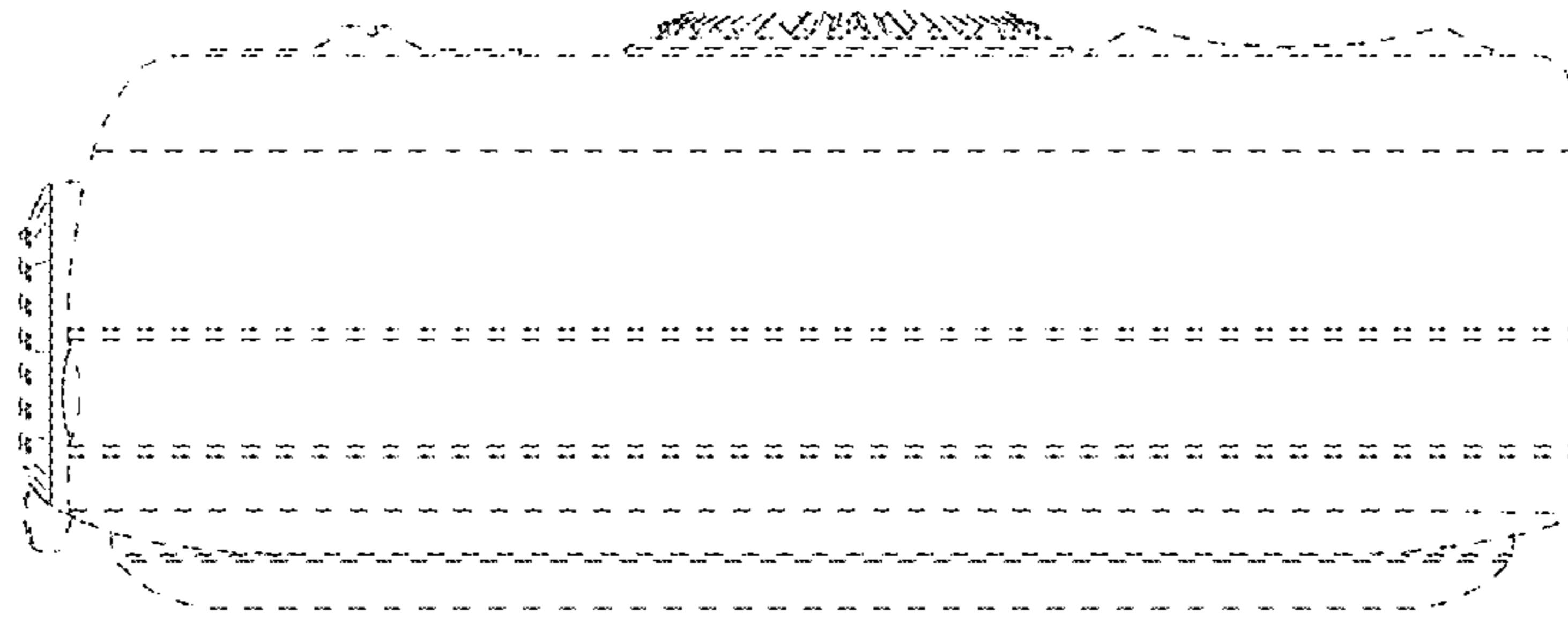


FIG.5

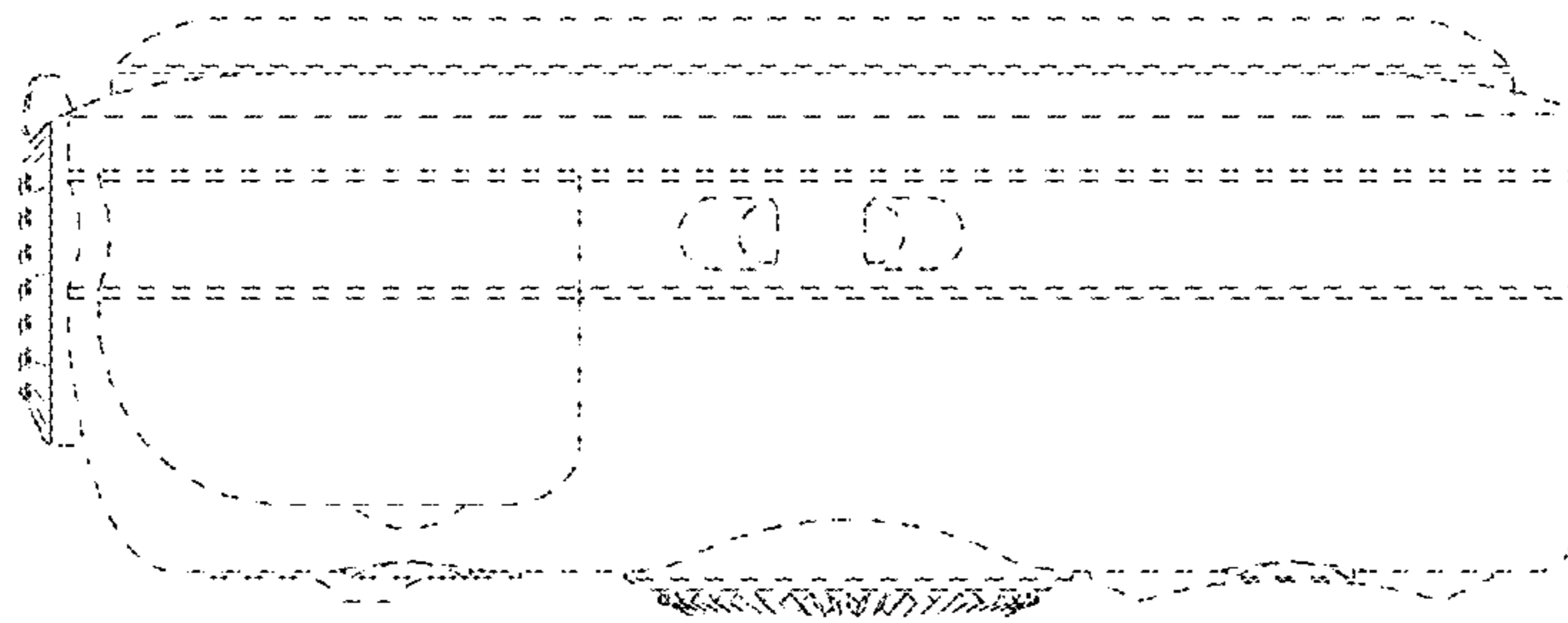
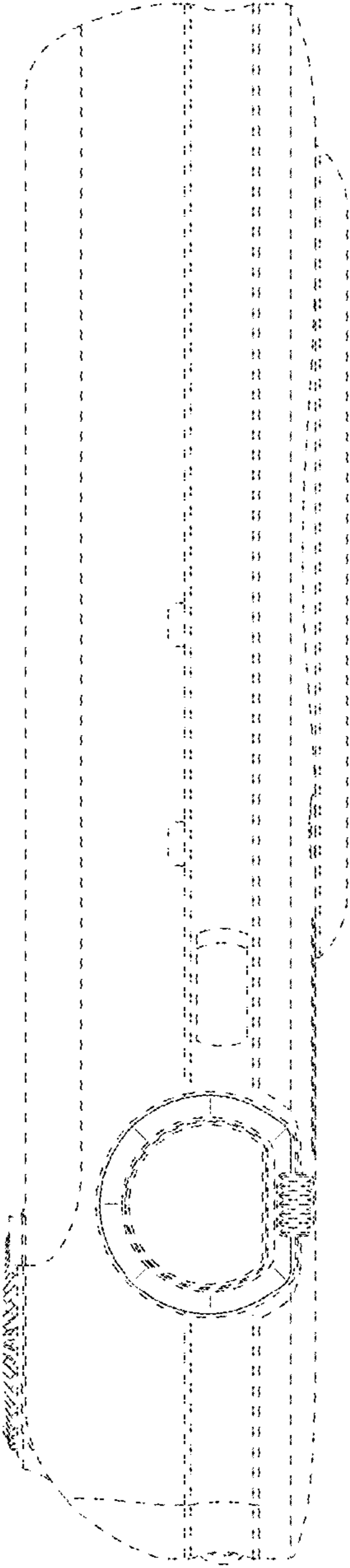


FIG. 7



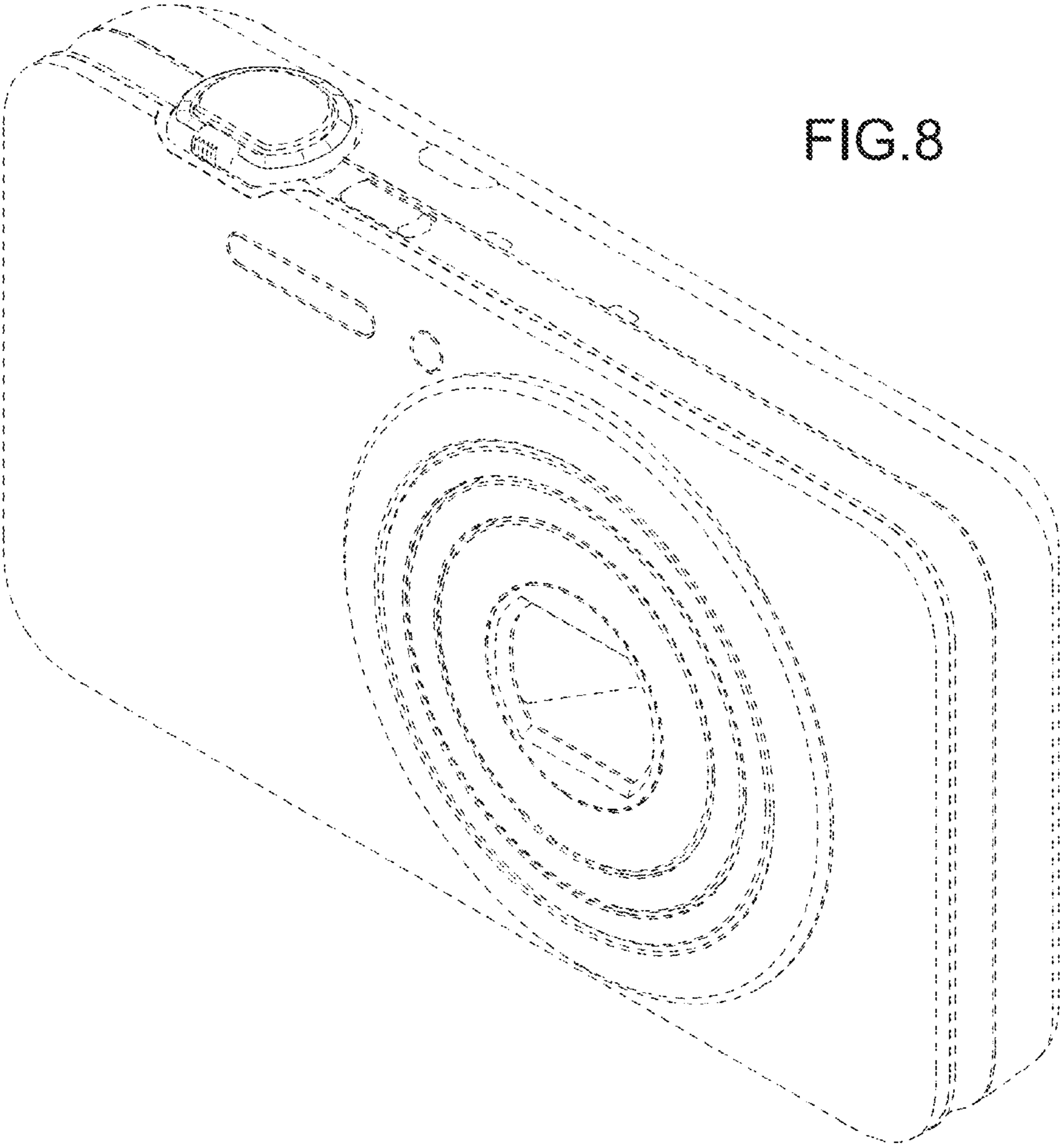


FIG. 8

FIG.9

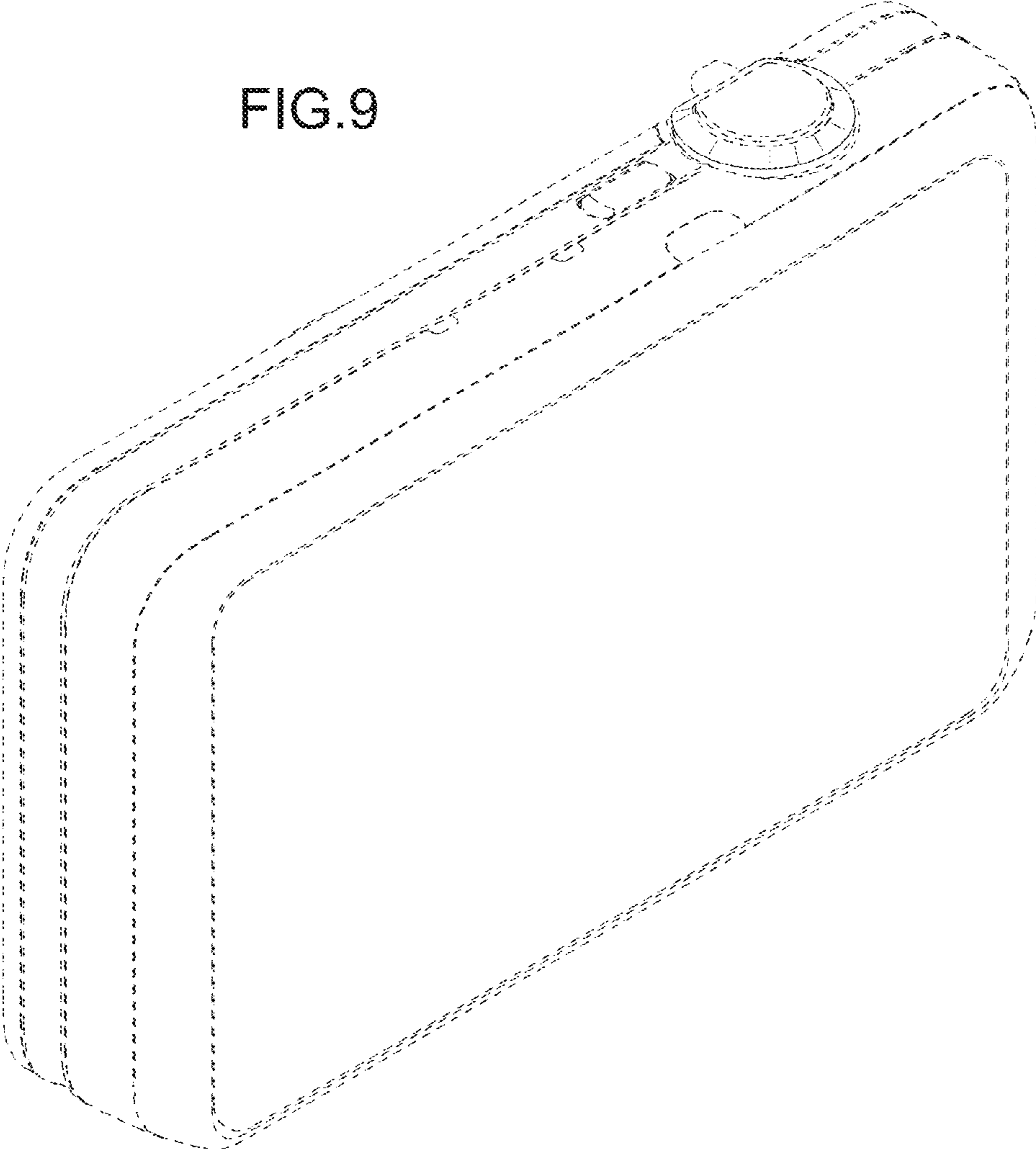


FIG.10

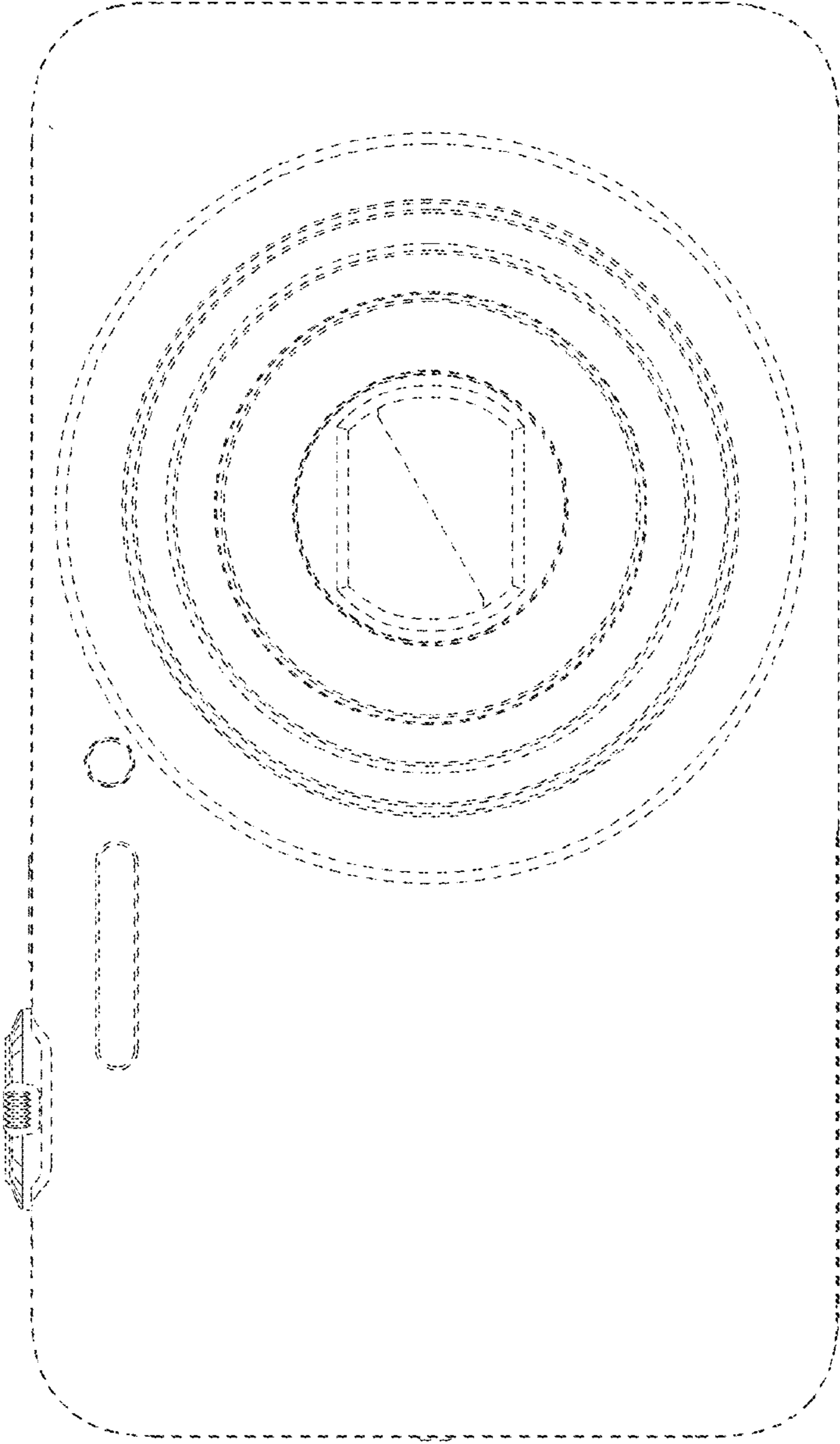


FIG.11

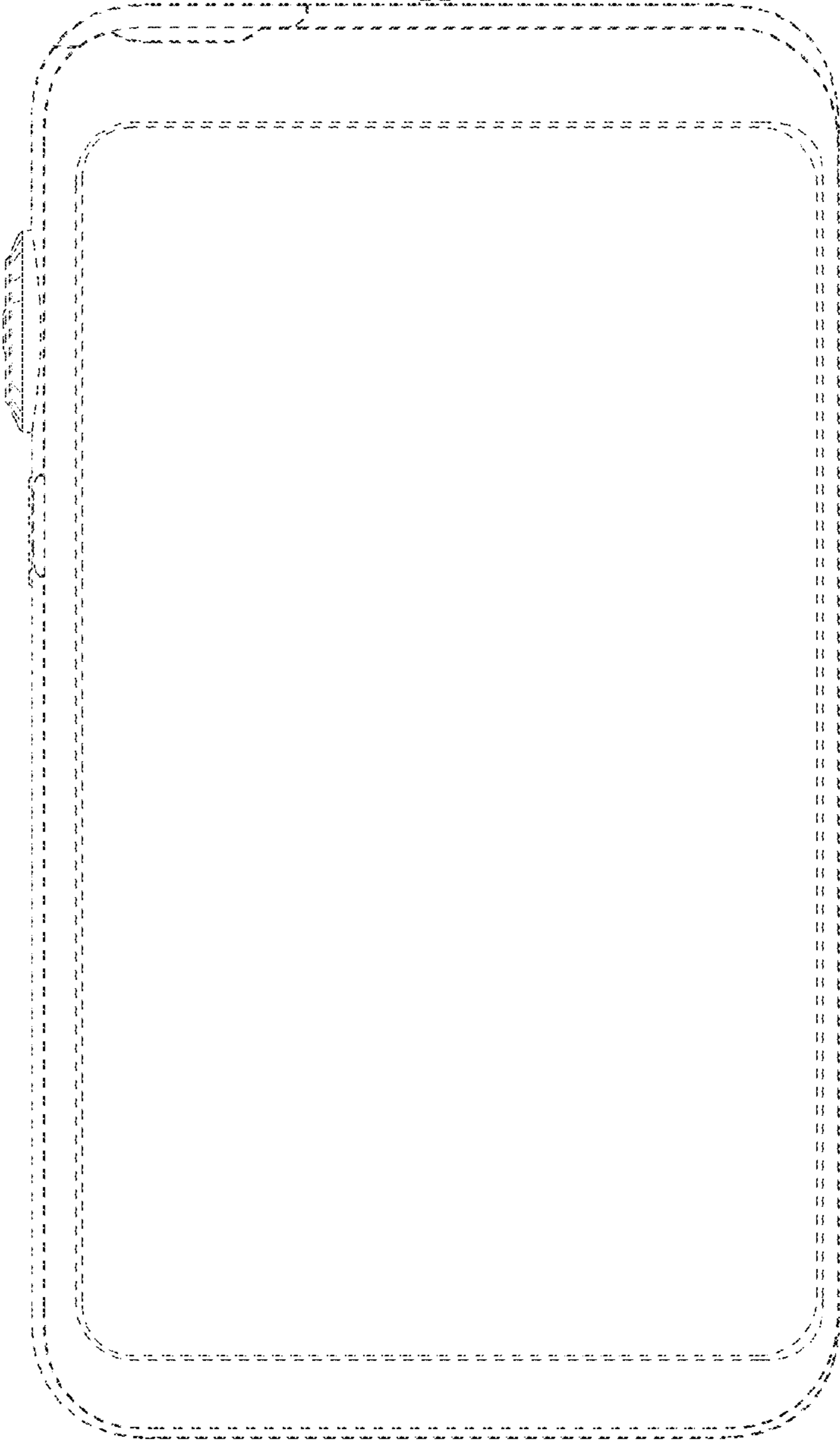


FIG.13

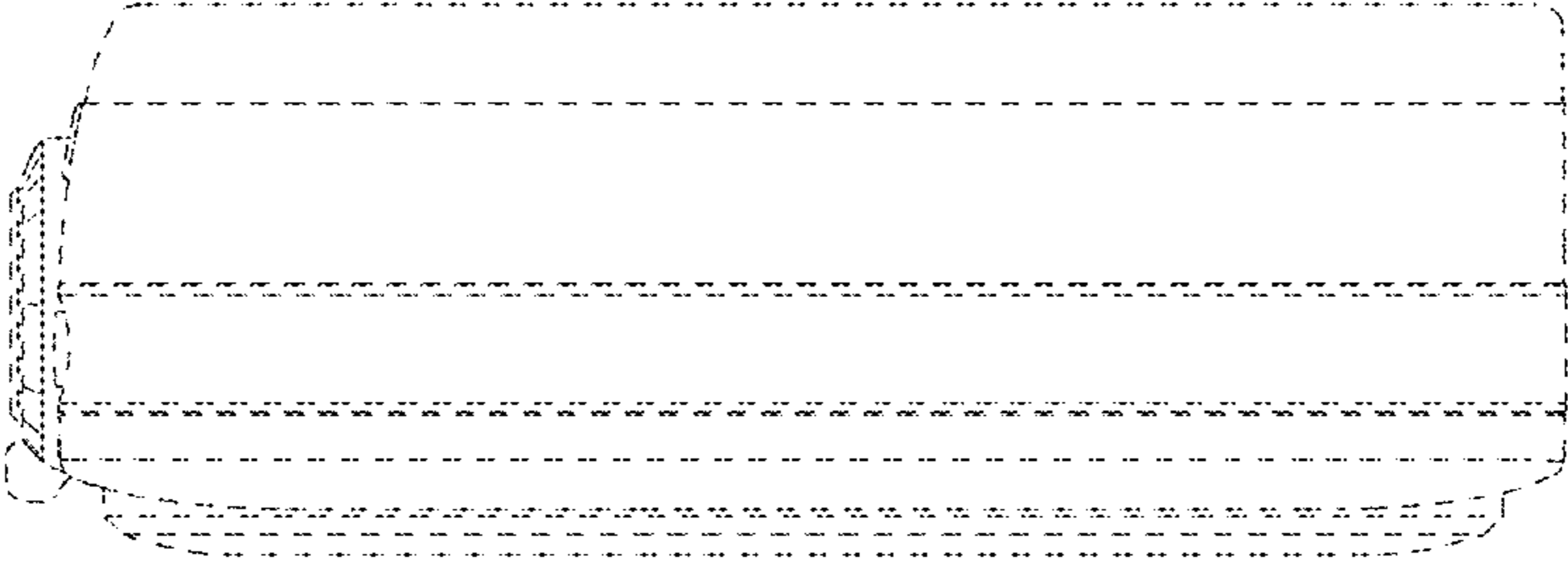


FIG.12

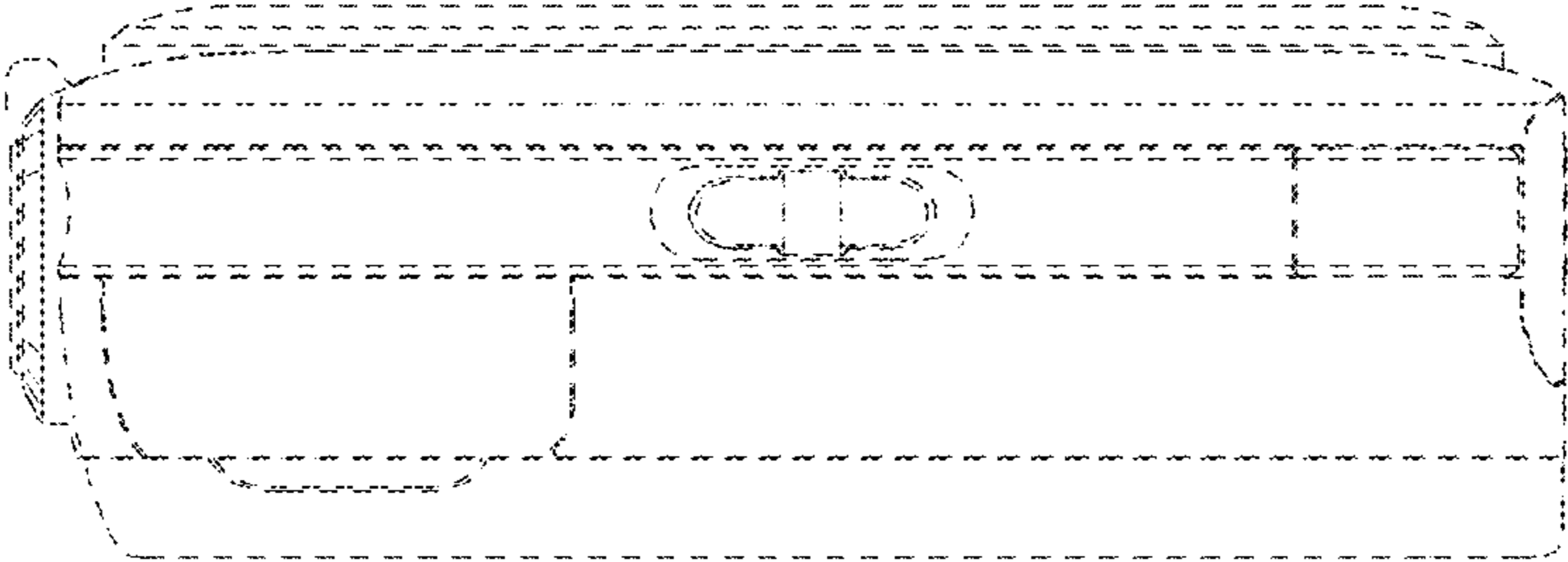


FIG.14

